

US00D969969S

(12) **United States Design Patent** (10) **Patent No.:** **US D969,969 S**
Bian et al. (45) **Date of Patent:** **** Nov. 15, 2022**

(54) **CONVERTER FOR SANITARY OUTLET VALVES**

(71) Applicant: **Neoperl GmbH**, Mullheim (DE)

(72) Inventors: **Yichao Bian**, Mannheim am Rhein (DE);
Jacek Kowol, Gundelfingen (DE)

(73) Assignee: **Neoperl GmbH**, Müllheim (DE)

(**) Term: **15 Years**

(21) Appl. No.: **29/780,013**

(22) Filed: **Apr. 22, 2021**

Related U.S. Application Data

(62) Division of application No. 35/507,794, filed on Mar. 8, 2019 (U.S. filing date under 35 U.S.C. 384), and having an international filing date of Mar. 8, 2019, now Pat. No. Des. 920,477.

(51) **LOC (13) Cl.** **23-01**

(52) **U.S. Cl.**
USPC **D23/233**
CPC **F16K 31/145** (2013.01)

(58) **Field of Classification Search**
USPC D23/233-269; 137/15.4, 7, 515, 843,
137/859, 332, 529
CPC ... G05D 7/03; F16K 31/52408; F16K 31/145;
F16K 31/3855; F16K 27/0236; F16K
1/523; E03C 1/02; E03C 2001/026
See application file for complete search history.

(56) **References Cited**

U.S. PATENT DOCUMENTS

D309,653 S	7/1990	Kendrick	
D442,267 S	5/2001	Kouda	
D576,704 S	9/2008	Gilcher	
D694,370 S	11/2013	Wilcox	
D745,635 S *	12/2015	Schwarz D23/213
D758,544 S	6/2016	Greenwood	

D762,819 S	8/2016	Shishido	
D779,046 S	2/2017	Tansey, Jr.	
D799,001 S *	10/2017	Gooden D23/213
D799,002 S *	10/2017	Gooden D23/213
D820,956 S	6/2018	Ito	
D826,381 S *	8/2018	Bian F16K 1/00 D23/233
D849,890 S *	5/2019	Tempel D23/233
D856,943 S	8/2019	Gage et al.	
D883,445 S	5/2020	Comstock	
D883,446 S	5/2020	Comstock	
D884,843 S	5/2020	Wildfang	
D895,770 S	9/2020	Bian	
D904,567 S *	12/2020	Bian F16K 1/00 D23/233
D911,489 S *	2/2021	Spooner D23/213
D920,477 S *	5/2021	Bian F16K 1/00 D23/233
D934,991 S *	11/2021	Amano D23/213
D936,785 S *	11/2021	Vaughan D23/213

(Continued)

Primary Examiner — Richard E Chilcot

(74) *Attorney, Agent, or Firm* — Volpe Koenig

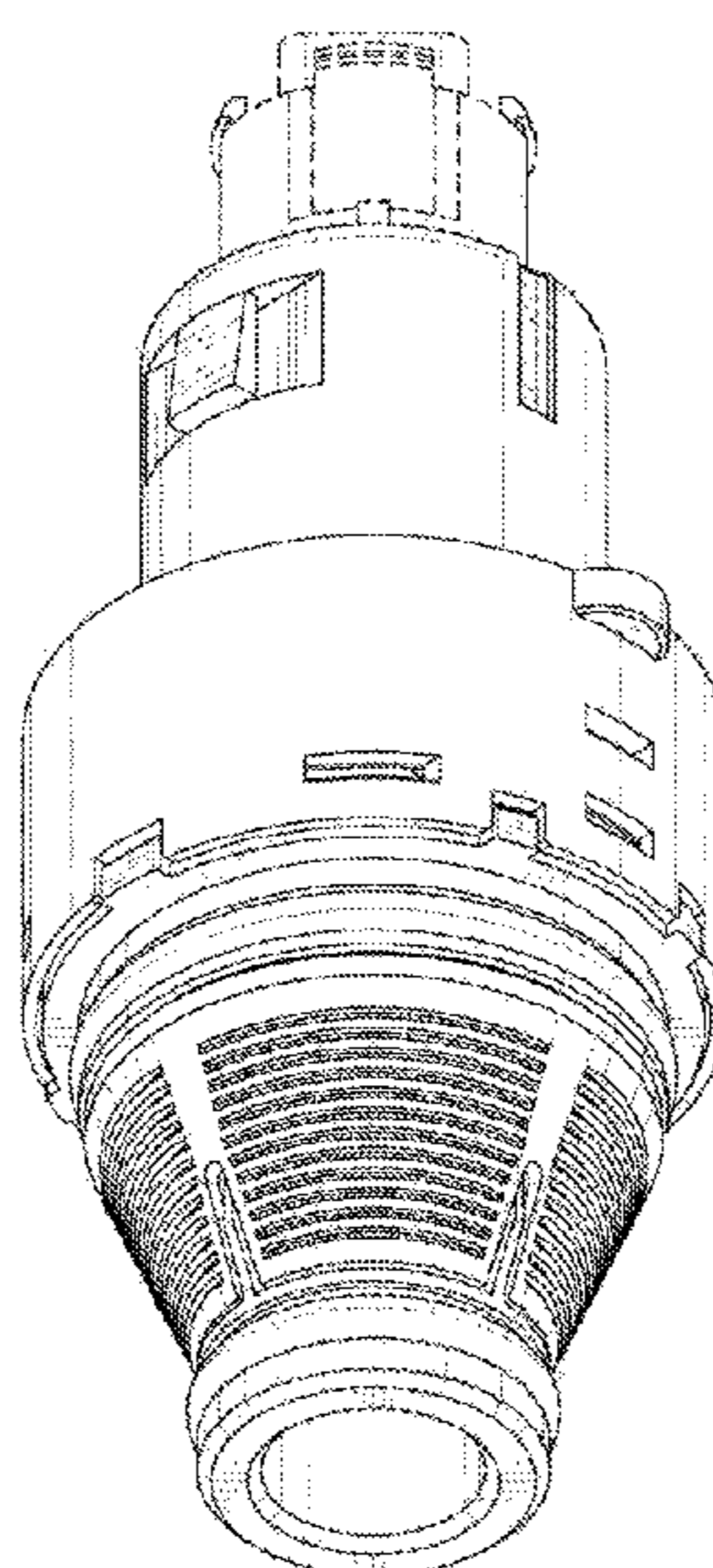
(57) **CLAIM**

The ornamental design for a converter for sanitary outlet valves, as shown and described.

DESCRIPTION

FIG. 1 is a top plan view of a converter for sanitary outlet valves in accordance with our design;
FIG. 2 is a top, front, left perspective view thereof;
FIG. 3 is a bottom plan view thereof;
FIG. 4 is a bottom, front, left perspective view thereof;
FIG. 5 is a front elevational view thereof;
FIG. 6 is a left side elevational view thereof;
FIG. 7 is a rear elevational view thereof; and,
FIG. 8 is a right side elevational view thereof.
The broken lines represent portions of the converter for sanitary outlet valves in which the design is embodied that form no part of the claimed design.

1 Claim, 8 Drawing Sheets



(56)

References Cited

U.S. PATENT DOCUMENTS

D937,384 S * 11/2021 Khubani D23/213
11,168,796 B2 * 11/2021 Meyer E03C 1/021
11,261,992 B2 * 3/2022 Tempel G05D 7/03
D949,290 S * 4/2022 Blum D23/249
D949,292 S * 4/2022 Corre D23/233
D949,319 S * 4/2022 Jung D23/393
11,327,509 B2 * 5/2022 Hart G01F 5/005
2016/0010759 A1 * 1/2016 Tempel E03C 1/044
137/468
2017/0343127 A1 * 11/2017 Bian F16K 11/0445
2018/0031141 A1 * 2/2018 Ye F16K 31/145
2021/0239236 A1 * 8/2021 Tempel F16K 1/523
2021/0246997 A1 * 8/2021 Kowol F16K 31/52491

* cited by examiner

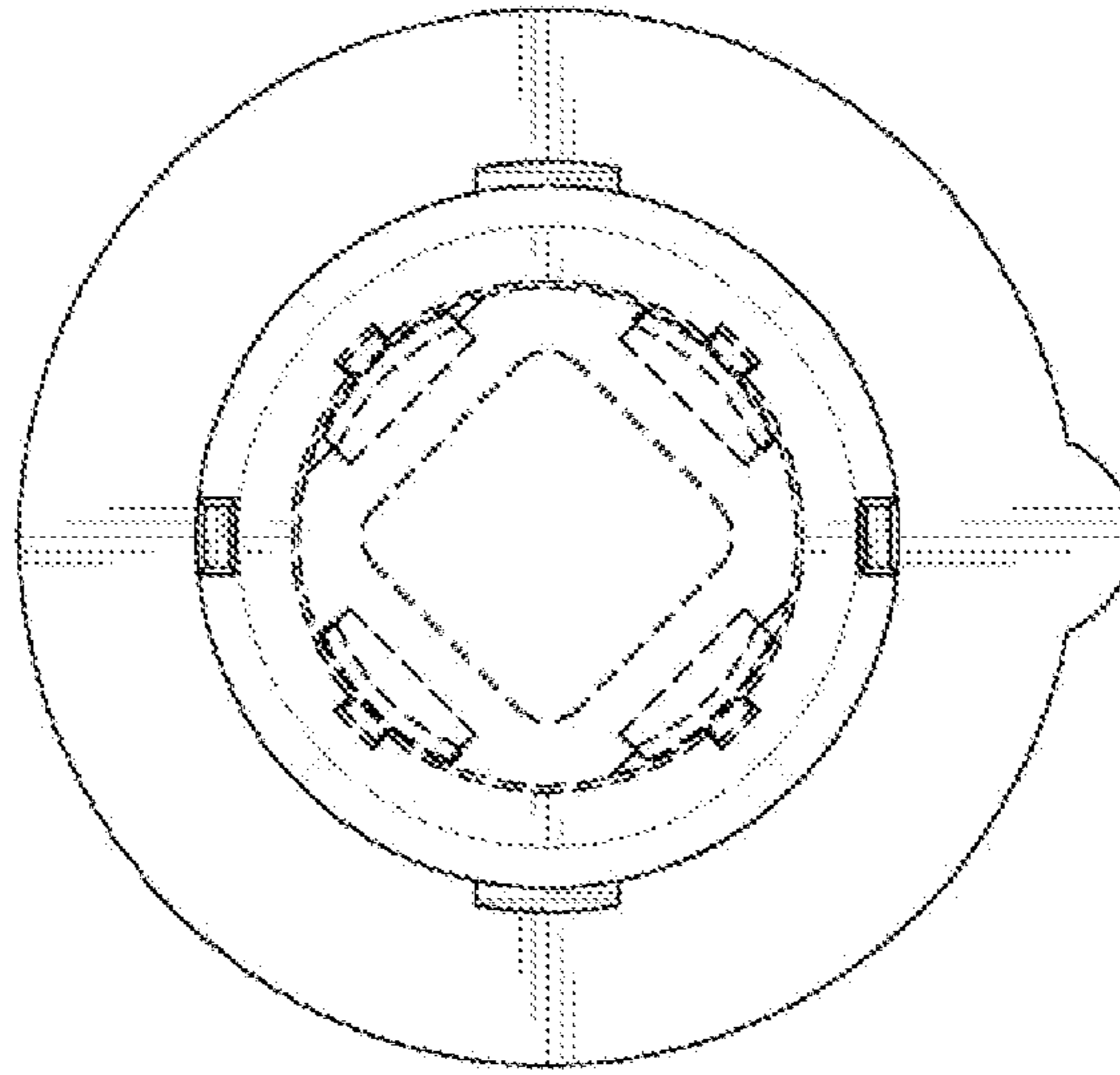


Fig. 1

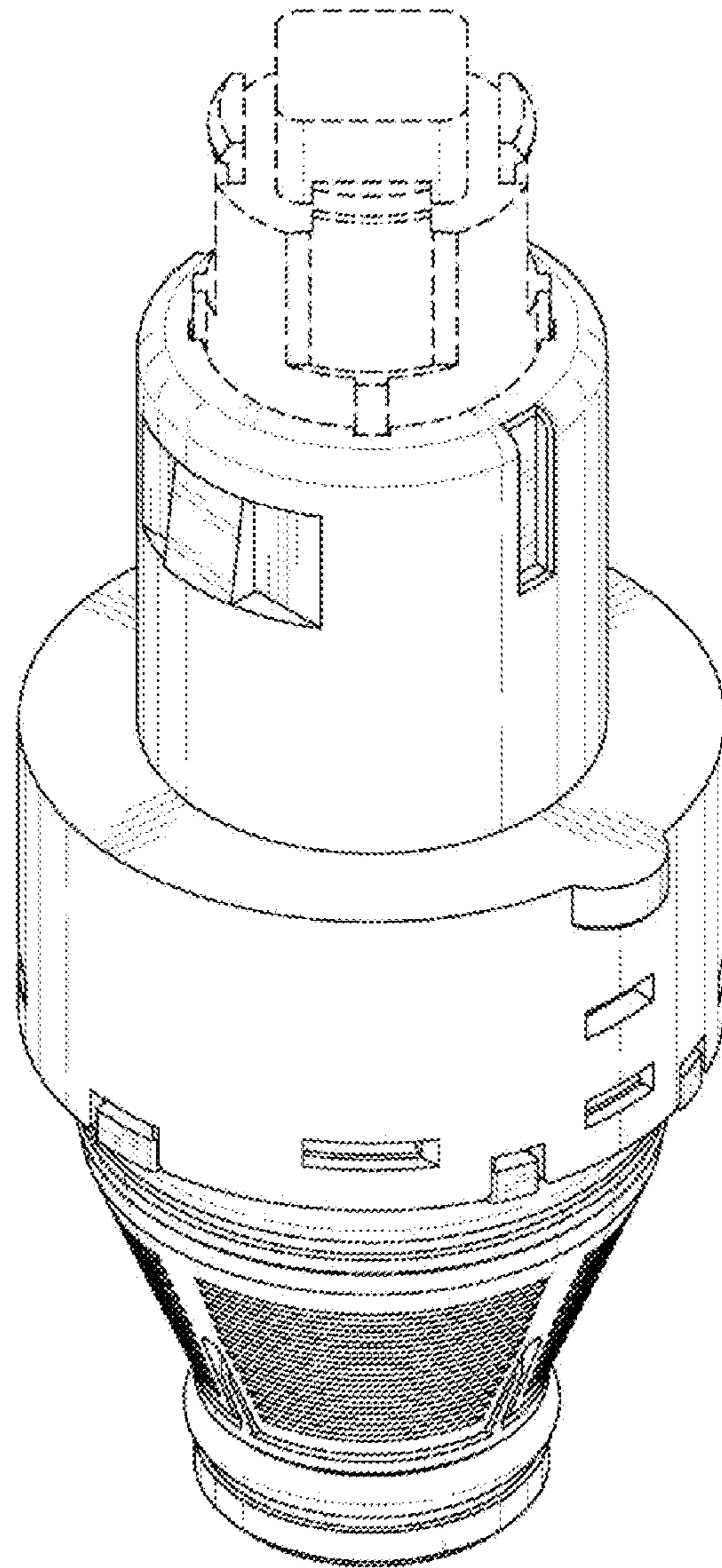


Fig. 2

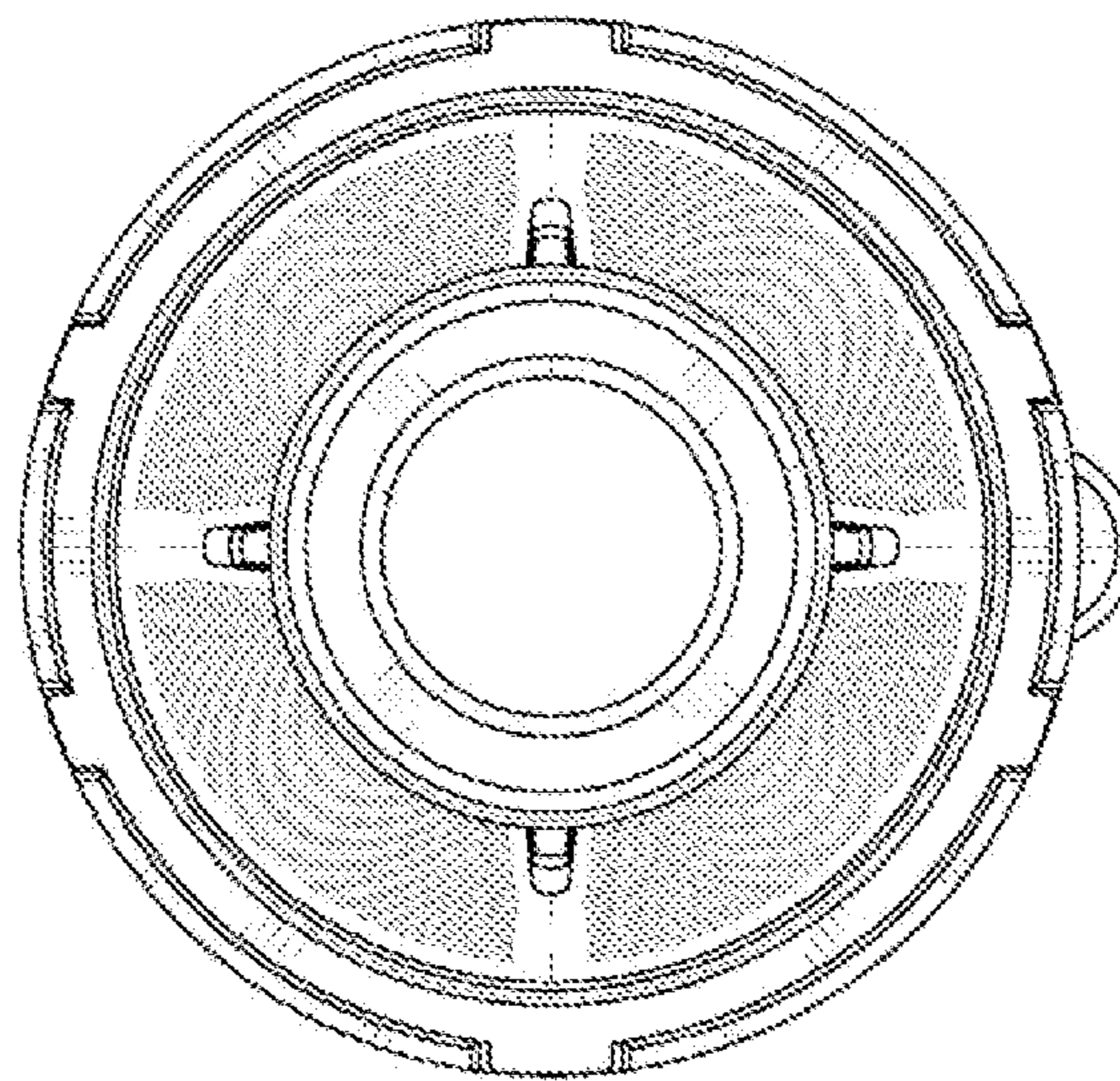


Fig. 3

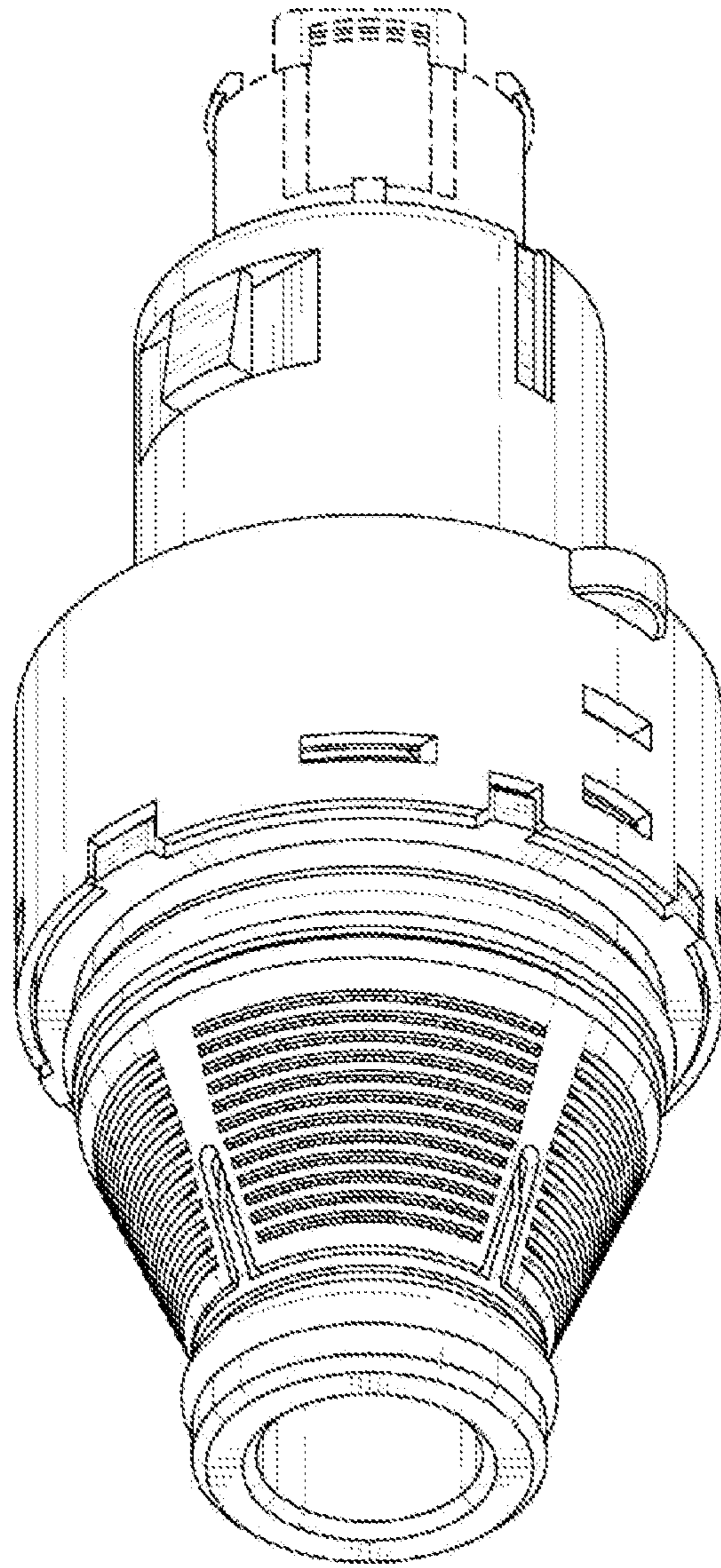


Fig. 4

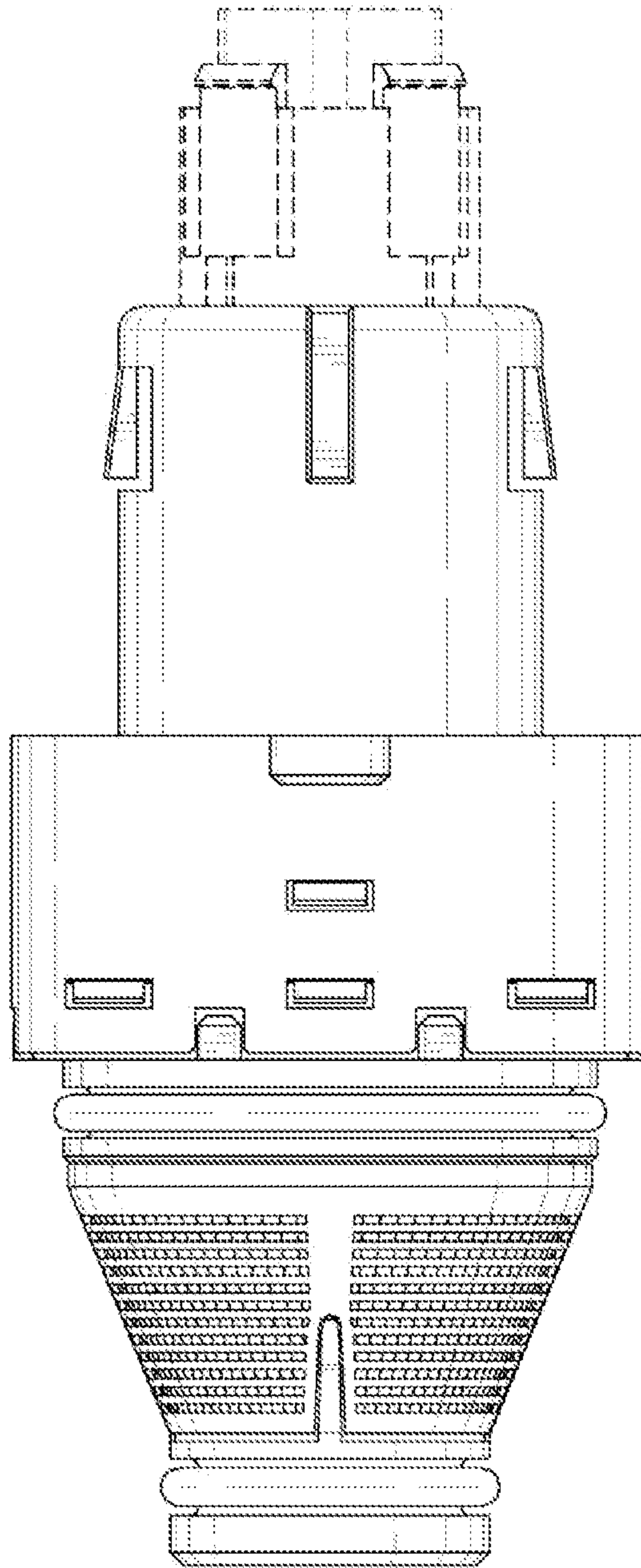


Fig. 5

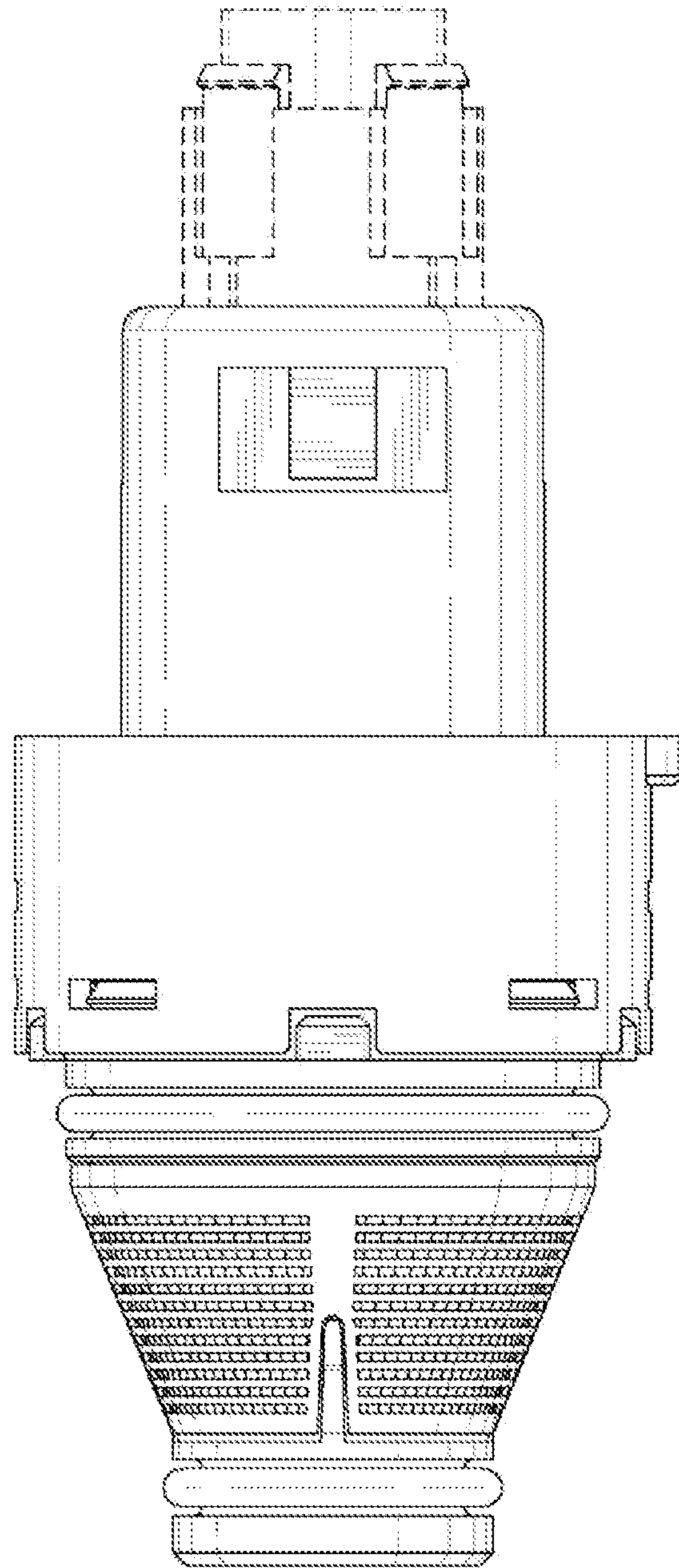


Fig. 6

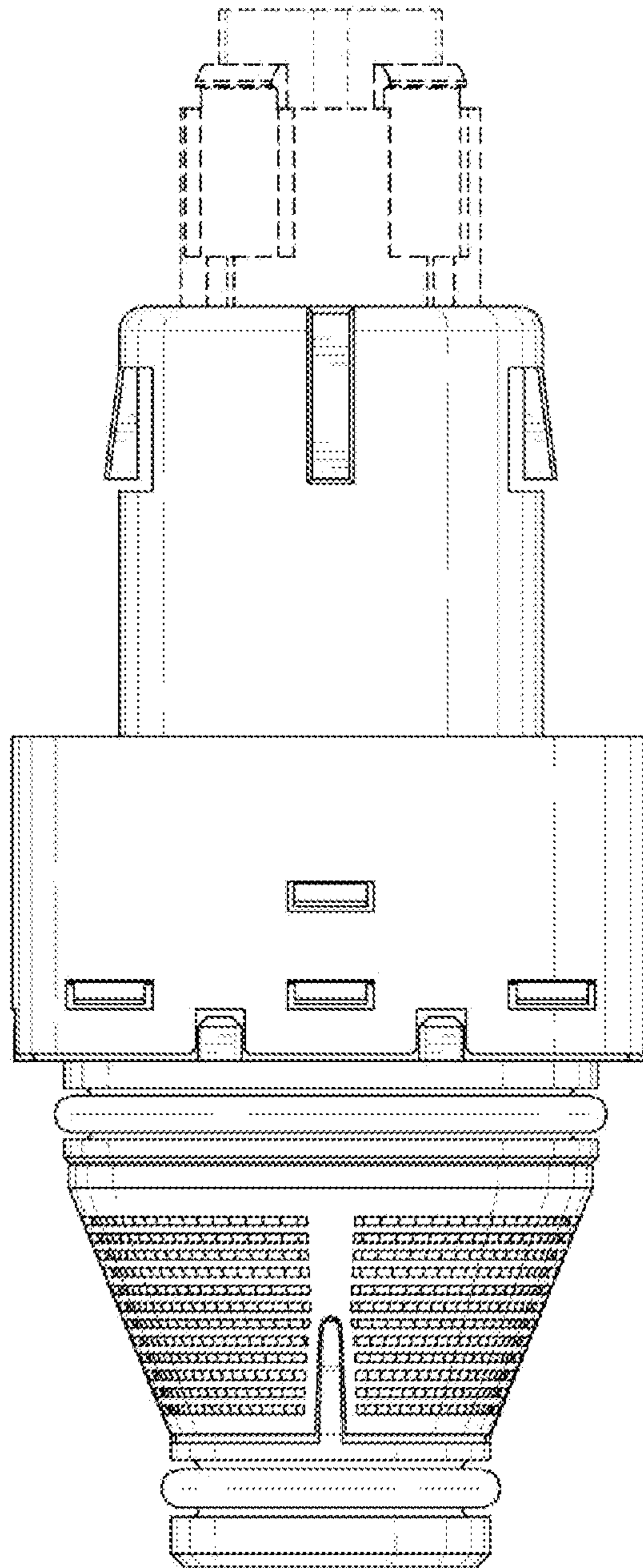


Fig. 7

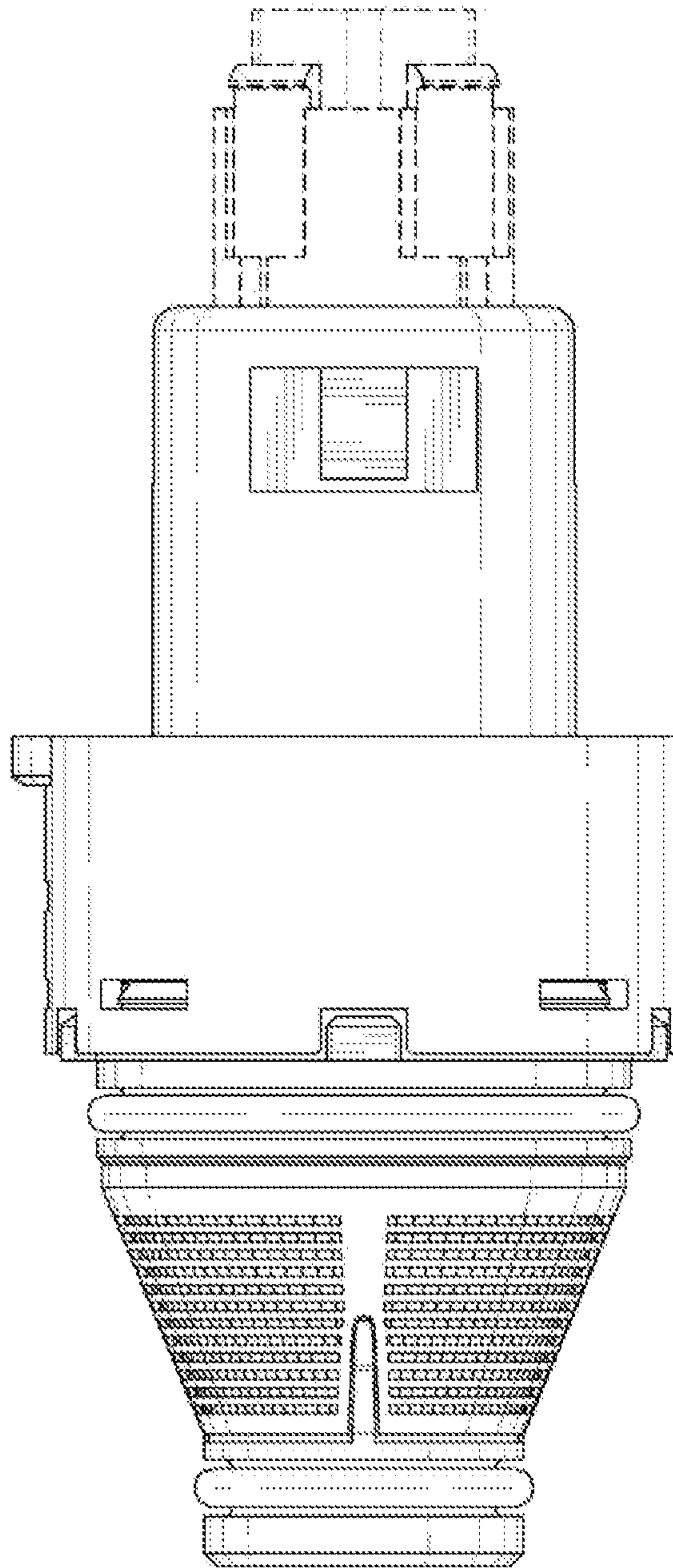


Fig. 8