



US00D969967S

(12) **United States Design Patent** (10) **Patent No.:** **US D969,967 S**
Ravassa et al. (45) **Date of Patent:** **** Nov. 15, 2022**

(54) **HAND SHOWER**

(71) Applicant: **AS America, Inc.**, Piscataway, NJ (US)

(72) Inventors: **Gabriela Ravassa**, Los Angeles, CA (US); **Jean-Jacques L’Henaff**, New Canaan, CT (US)

(73) Assignee: **AS America, Inc.**, Piscataway, NJ (US)

(**) Term: **15 Years**

(21) Appl. No.: **29/775,370**

(22) Filed: **Mar. 23, 2021**

Related U.S. Application Data

(63) Continuation of application No. 29/719,818, filed on Jan. 8, 2020, now Pat. No. Des. 917,011.

(51) **LOC (13) Cl.** **23-01**

(52) **U.S. Cl.**
USPC **D23/213**

(58) **Field of Classification Search**
USPC D23/213, 214, 215, 223, 224, 226, 229, D23/230
CPC A61H 9/0021; A61H 33/00; B05B 1/00; B05B 1/14; B05B 1/185; B05B 1/08; B05B 1/02; B05B 1/26; B05B 12/002; B05B 1/18; B05B 9/01

See application file for complete search history.

(56) **References Cited**

U.S. PATENT DOCUMENTS

D552,210	S	*	10/2007	Zhu	D23/213
D575,845	S	*	8/2008	Lobermeier	D23/223
D648,825	S	*	11/2011	Ando	D23/228
D652,894	S	*	1/2012	Nichols	D23/223
D667,927	S	*	9/2012	Linginfelter	D23/213
D675,709	S	*	2/2013	Mendoza	D23/213

D689,983	S	*	9/2013	Wilson	D23/228
D697,582	S	*	1/2014	McNinch	D23/223
D713,002	S	*	9/2014	McKeone	D23/213
D734,426	S	*	7/2015	Hundley	D23/213
D811,523	S	*	2/2018	Andrew	D23/223
D917,011	S	*	4/2021	Ravassa	D23/213
2015/0360243	A1	*	12/2015	Soetaert	F16K 11/0445 4/615
2016/0287471	A1	*	10/2016	Urfig	A61H 33/06
2022/0120063	A1	*	4/2022	Wu	E03C 1/0408

OTHER PUBLICATIONS

Kohler K-21336-BN Shift Handheld Showerhead, Apr. 22, 2018, amazon.ca, Jun. 27, 2022, URL: <https://www.amazon.com/Kohler-K-21336-BN-Handheld-Showerhead-Vibrant/dp/B07QYNQMDJ/> (Year: 2018).*

(Continued)

Primary Examiner — **Keith J Wilson**

(74) *Attorney, Agent, or Firm* — **Tyler A. Stevenson;**
Anna-lisa L. Gallo

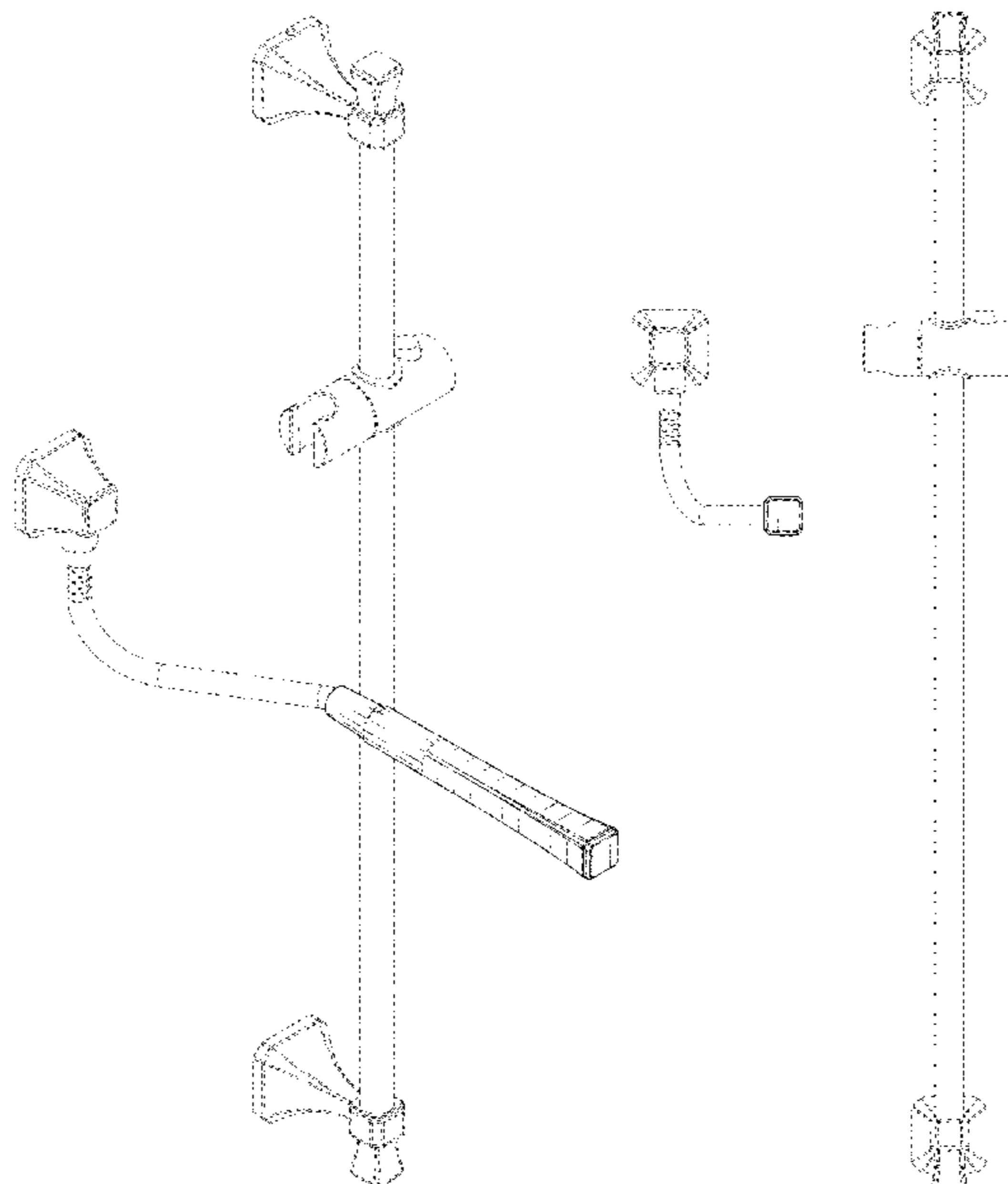
(57) **CLAIM**

We claim the ornamental design for a hand shower, as shown and described.

DESCRIPTION

FIG. 1 is a front, top, left side perspective view of a hand shower showing our new design;
FIG. 2 is a front view thereof;
FIG. 3 is a rear side view thereof;
FIG. 4 is a left side view thereof;
FIG. 5 is a right side view thereof;
FIG. 6 is a top view thereof; and,
FIG. 7 is a bottom view thereof.
Broken lines of the disclosure represent portions of the hand shower that form no part of the claimed design.

1 Claim, 7 Drawing Sheets



(56)

References Cited

OTHER PUBLICATIONS

Shower System Brushed Metal Gun Shower Faucet, Oct. 9, 2020, amazon.ca, Jun. 27, 2022, URL: <https://www.amazon.com/Brushed-Complete-Bathroom-Pressure-Rainfall/dp/B08L4PB3YW/>(Year: 2020).*

KES Shower System with Waterfall Tub Spout Pressure Balance 3-Function Shower Faucet Set Square, Jan. 7, 2020, amazon.ca, Jun. 27, 2022, URL: <https://www.amazon.ca/KES-Waterfall-3-Function-Including-XB6305-CH/dp/B0819N3H55/> (Year: 2020).*

Aexit Bathroom Rectangular Home Hardware Chroming Water Spray Nozzle Handheld, Jan. 7, 2020, amazon.ca, Jun. 28, 2022, URL: <https://www.amazon.ca/Aexit-Bathroom-Rectangular-Hardware-Chroming/dp/B07MK23K42/>(Year: 2020).*

* cited by examiner

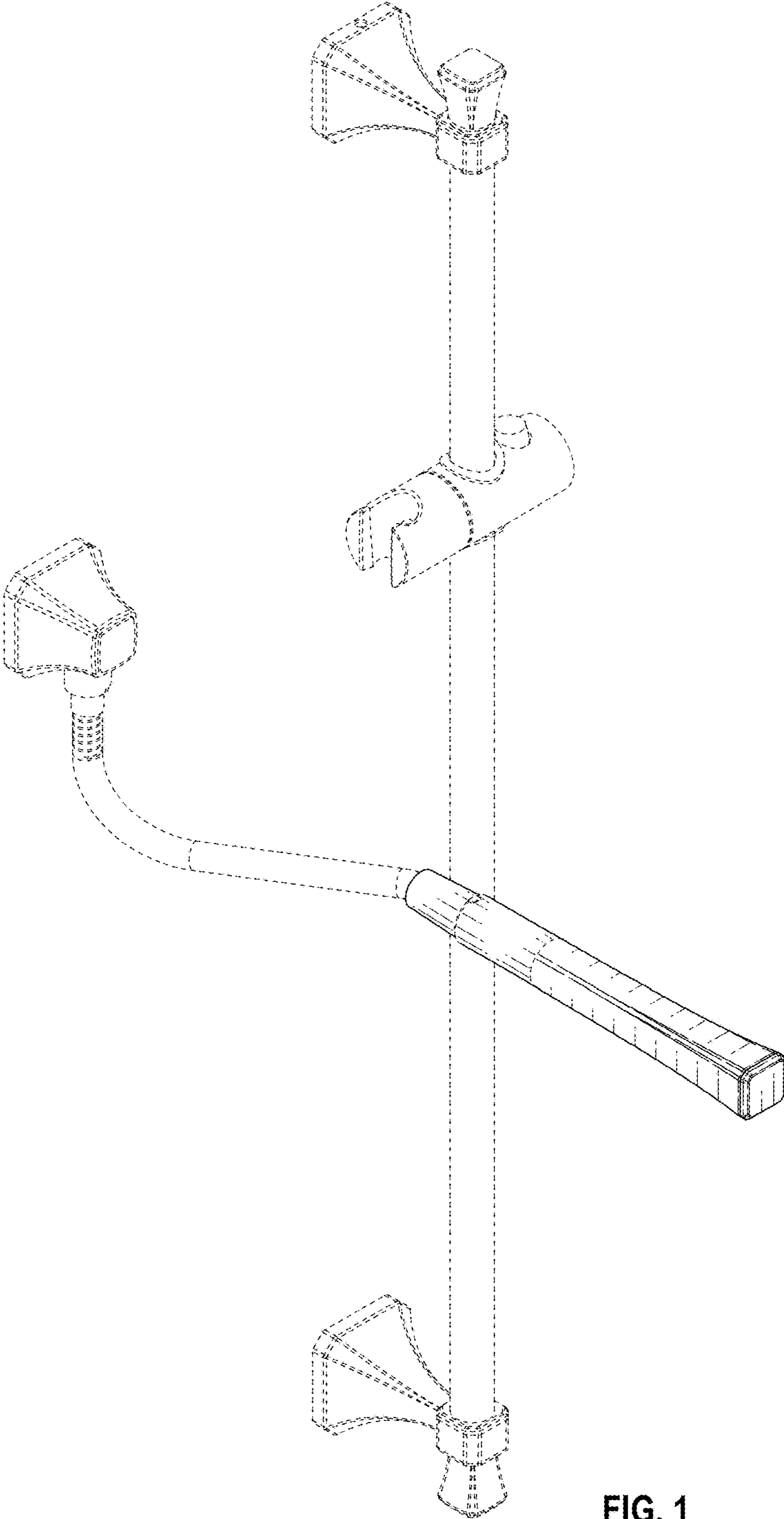


FIG. 1

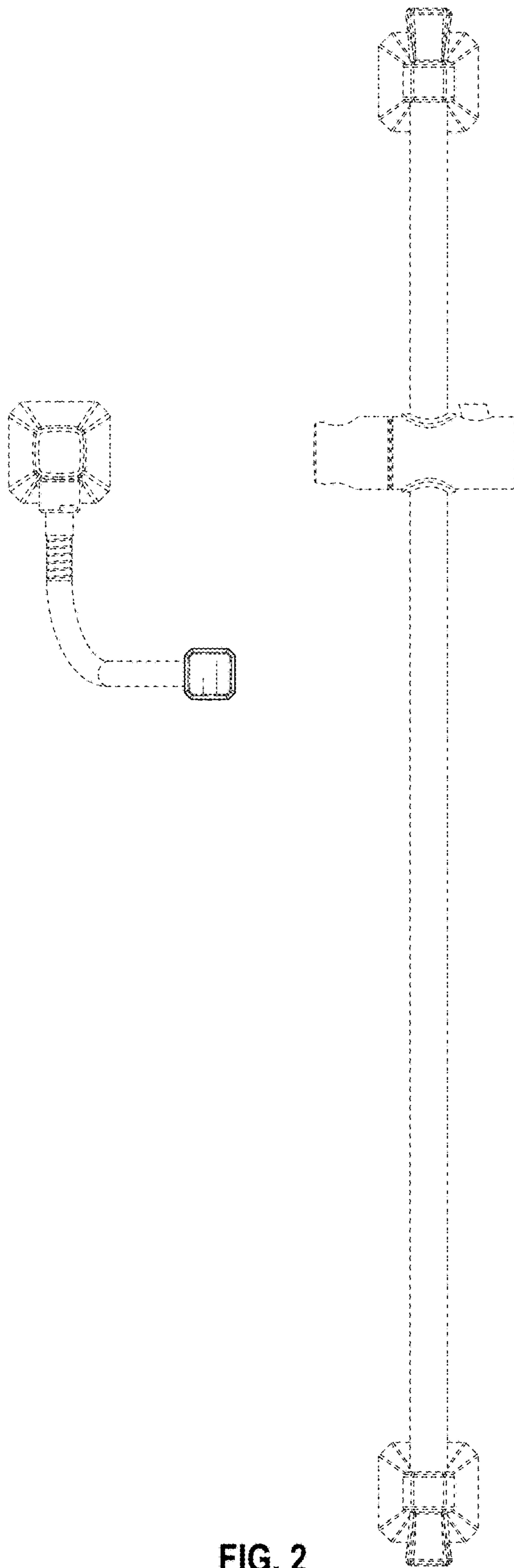


FIG. 2

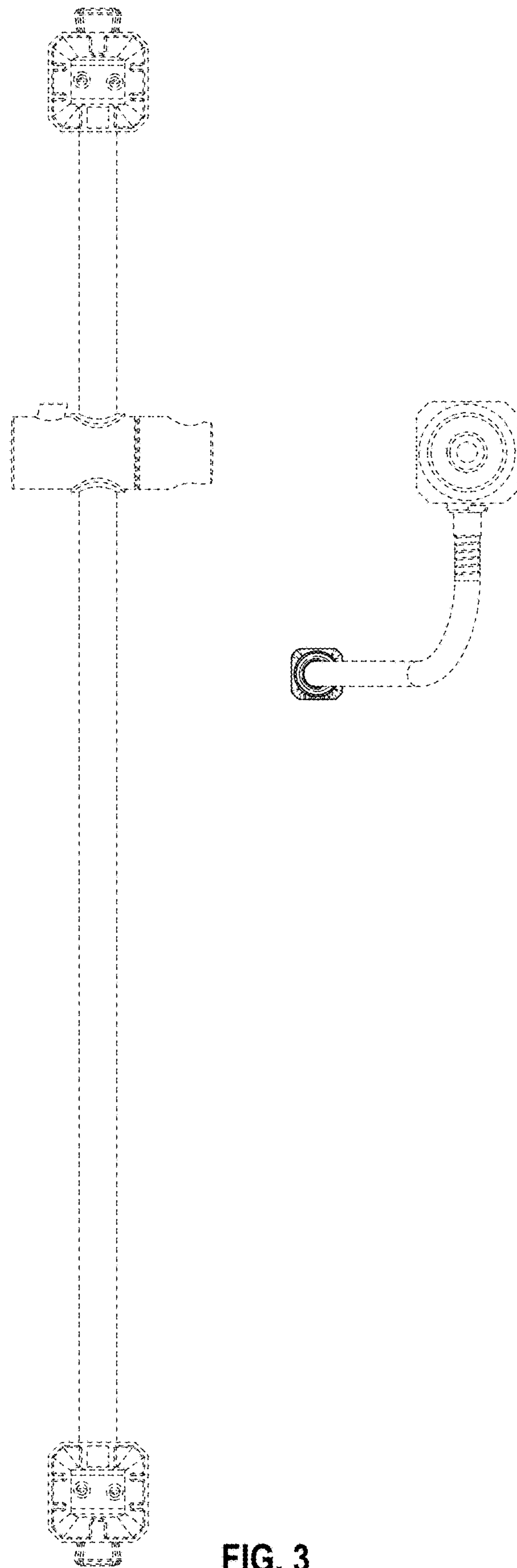


FIG. 3

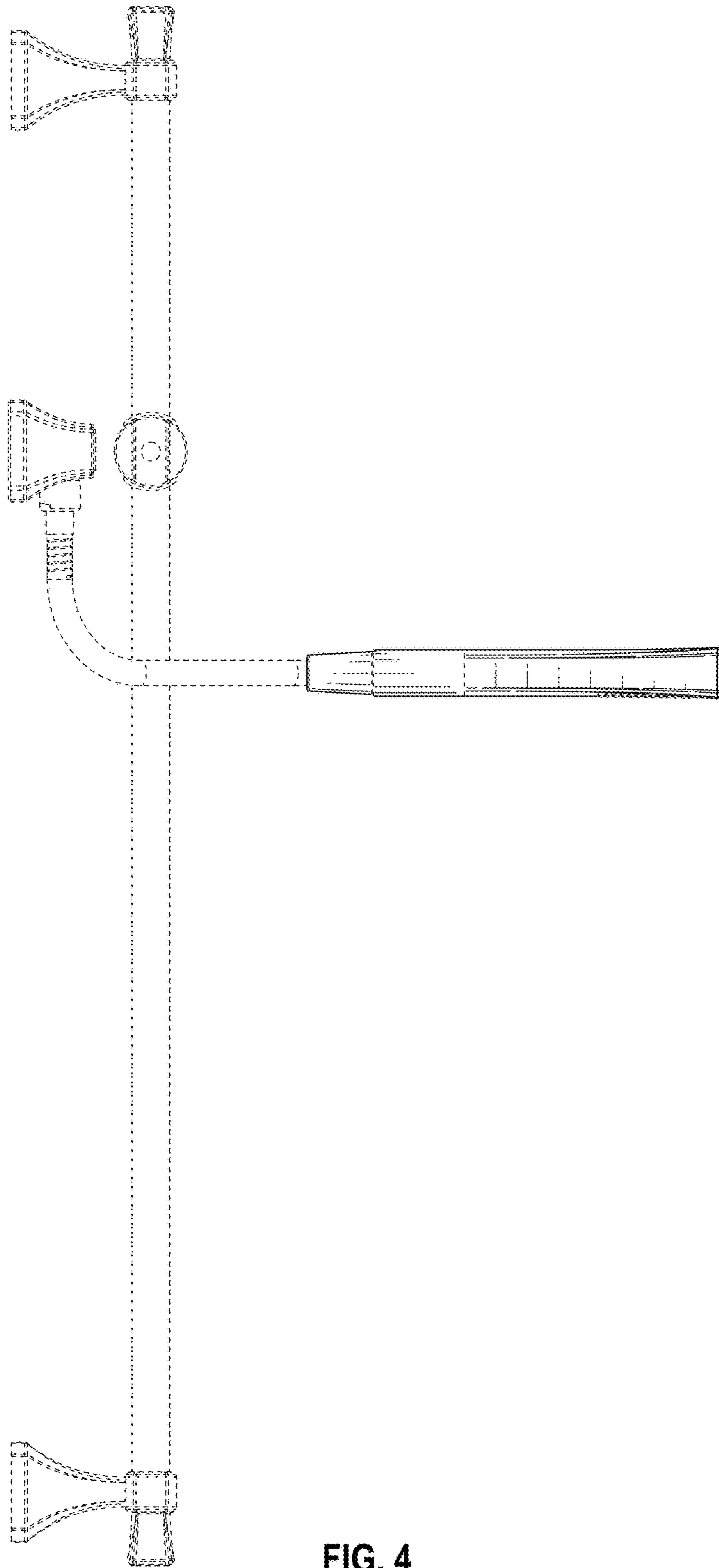


FIG. 4

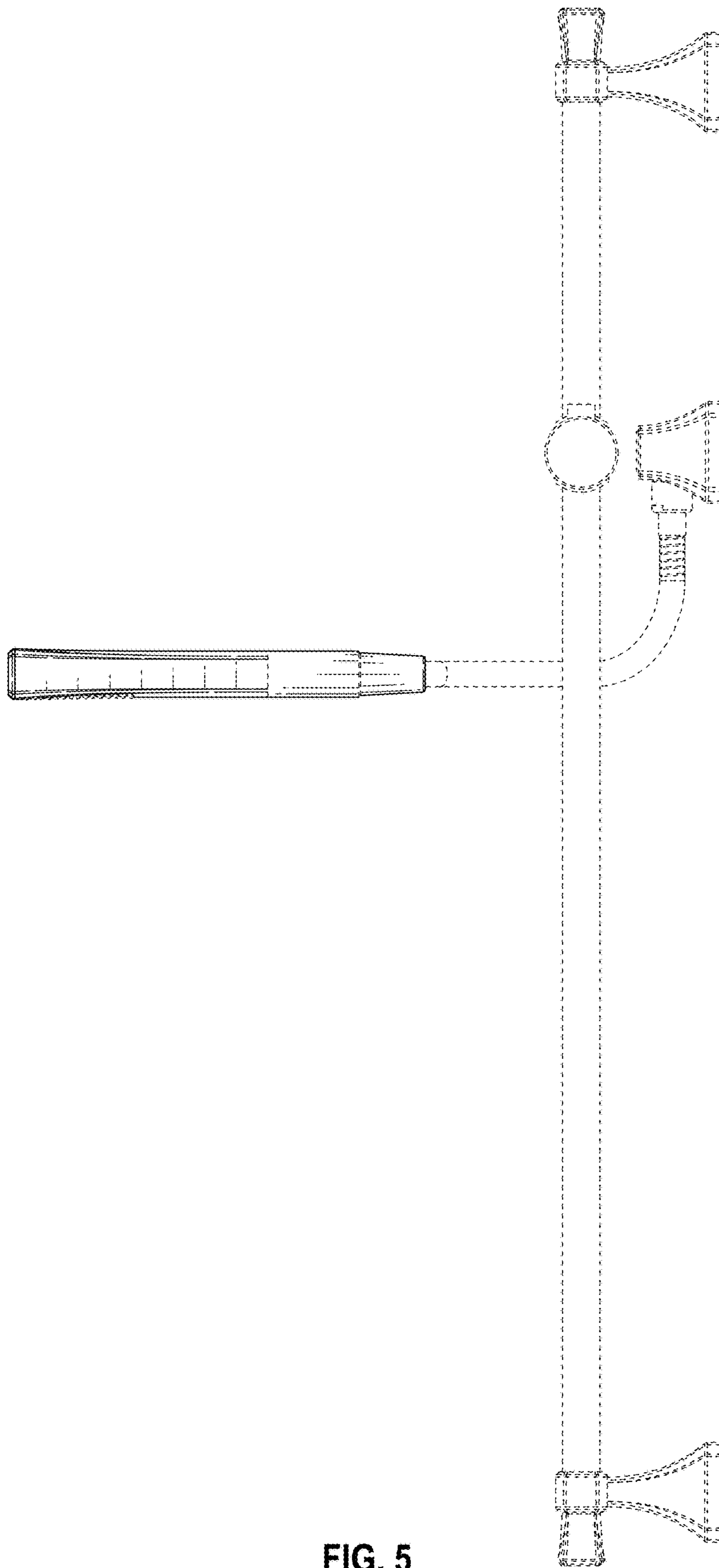


FIG. 5

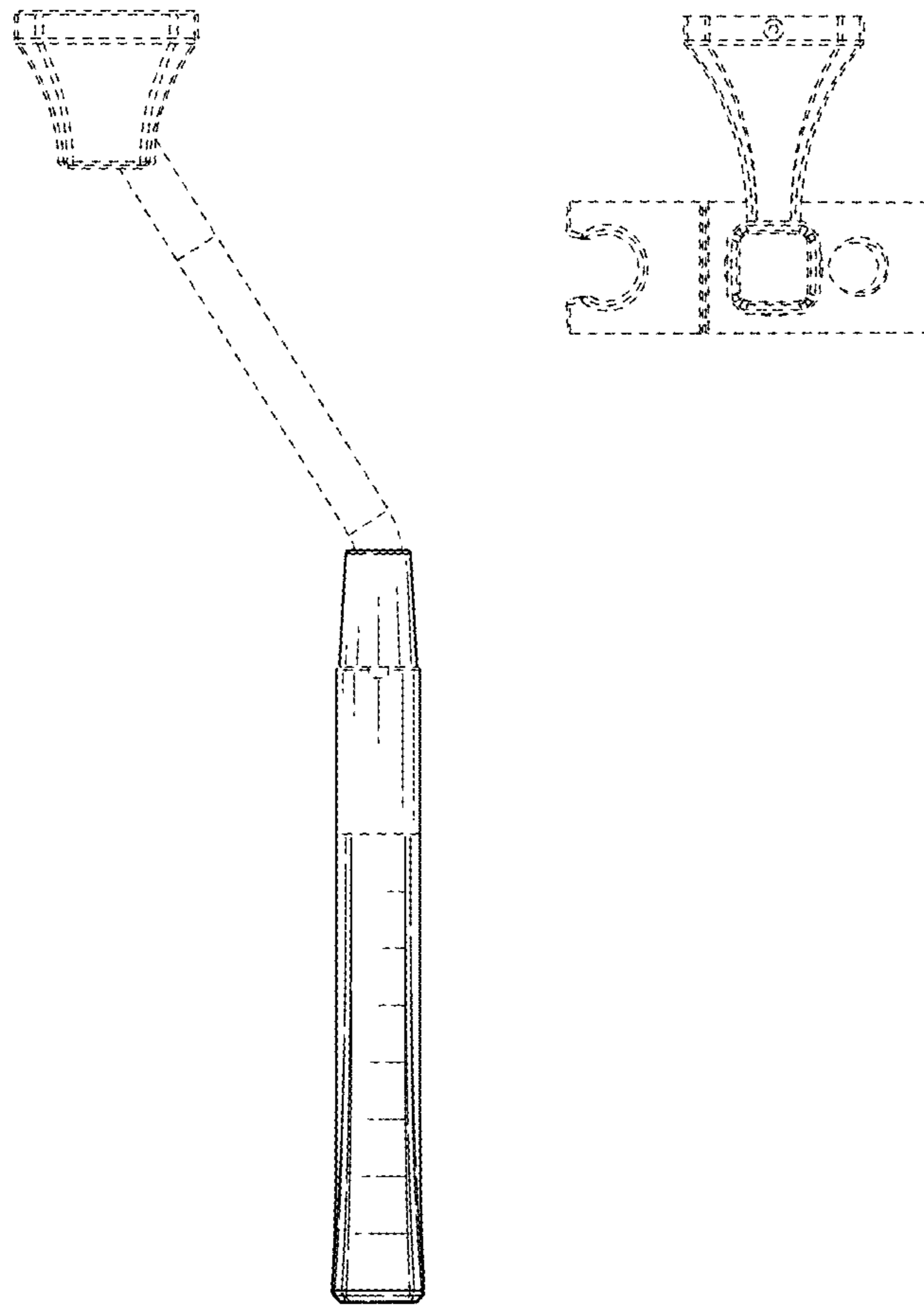


FIG. 6

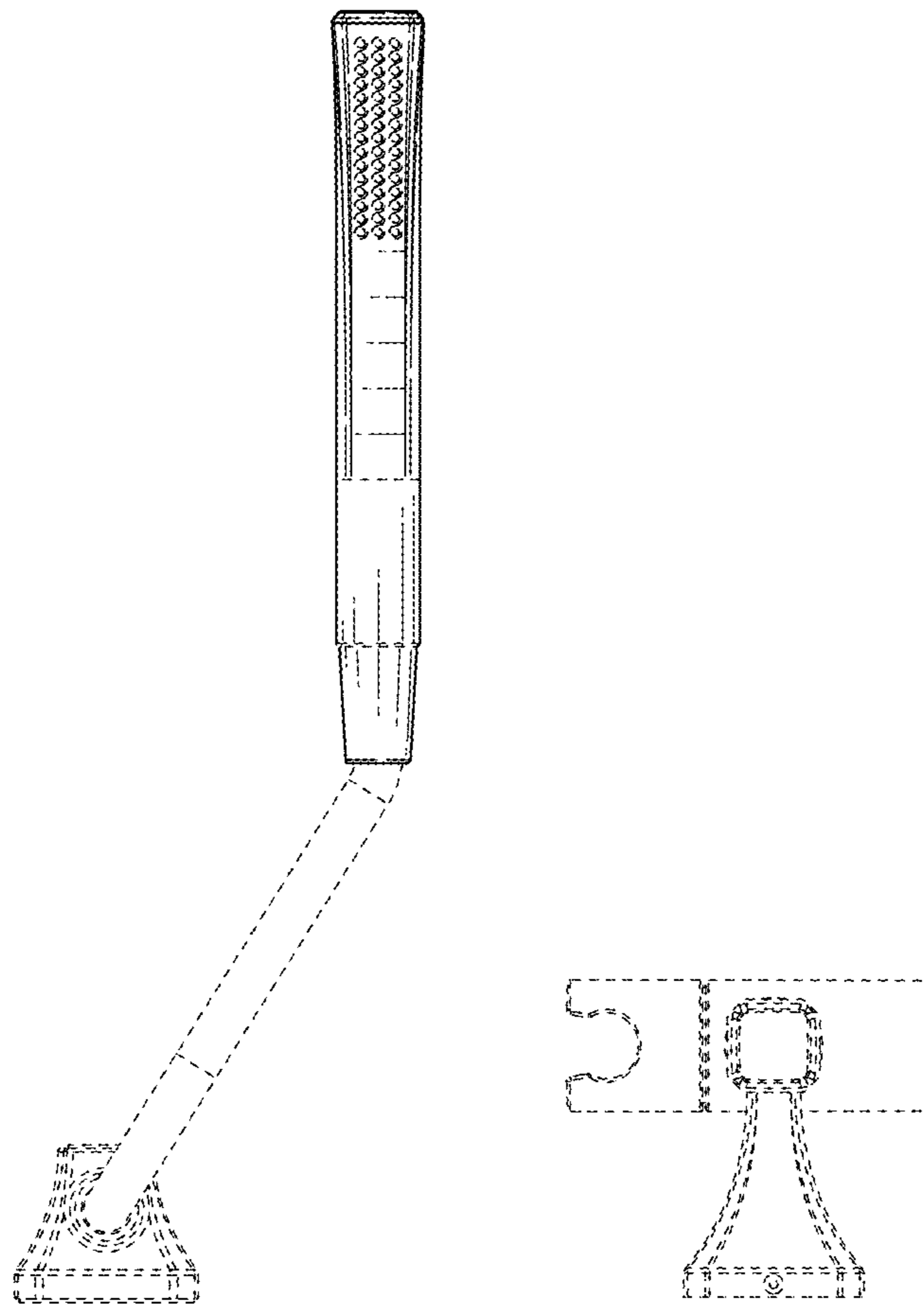


FIG. 7