



(12) **United States Design Patent**
Hernandez

(10) **Patent No.:** **US D969,966 S**
(45) **Date of Patent:** **** Nov. 15, 2022**

(54) **AQUARIUM FILTER HOLDER**
(71) Applicant: **Christopher E. Hernandez**, Davie, FL
(US)

(72) Inventor: **Christopher E. Hernandez**, Davie, FL
(US)

(**) Term: **15 Years**

(21) Appl. No.: **29/761,095**

(22) Filed: **Dec. 7, 2020**

(51) **LOC (13) Cl.** **23-01**

(52) **U.S. Cl.**
USPC **D23/210**

(58) **Field of Classification Search**
USPC D23/207, 208, 209, 210, 235, 355, 363,
D23/365; D24/162, 217, 229
CPC B01D 27/00; B01D 27/08; B01D 35/02;
B01D 2201/305; B01D 2201/309; B01D
2201/4023; C02F 2201/002; C02F
2307/10; A01K 63/042; A01K 63/045
See application file for complete search history.

(56) **References Cited**

U.S. PATENT DOCUMENTS

D228,656 S *	10/1973	Lovitz	D23/209
3,891,555 A *	6/1975	Bennett	A01K 63/045
4,206,054 A *	6/1980	Moore	210/167.26
4,236,488 A *	12/1980	Olds	A01K 63/045
				119/264
4,490,250 A *	12/1984	Dockery	A01K 63/045
				210/232
4,532,037 A *	7/1985	Willinger	A01K 63/042
				210/167.26
5,269,913 A *	12/1993	Atkins	B01D 35/147
				210/136
6,080,304 A *	6/2000	Gomi	A01K 63/045
				119/260

D466,583 S * 12/2002 Heijdenrijk D23/208
D621,000 S * 8/2010 Burian D23/209
D625,772 S * 10/2010 Olson D7/400
(Continued)

OTHER PUBLICATIONS

AQQA Aquarium Fluidized Moving Bed Filter, Sep. 5, 2020,
Amazon, site visited Mar. 7, 2022: <https://www.amazon.com/dp/B08FFF9DGZ/> (Year: 2020).*

(Continued)

Primary Examiner — Jack Reickel
Assistant Examiner — Bobby W Jones, II
(74) *Attorney, Agent, or Firm* — Nancy J. Flint, Attorney
At Law, P.A.; Nancy J. Flint, Esq.

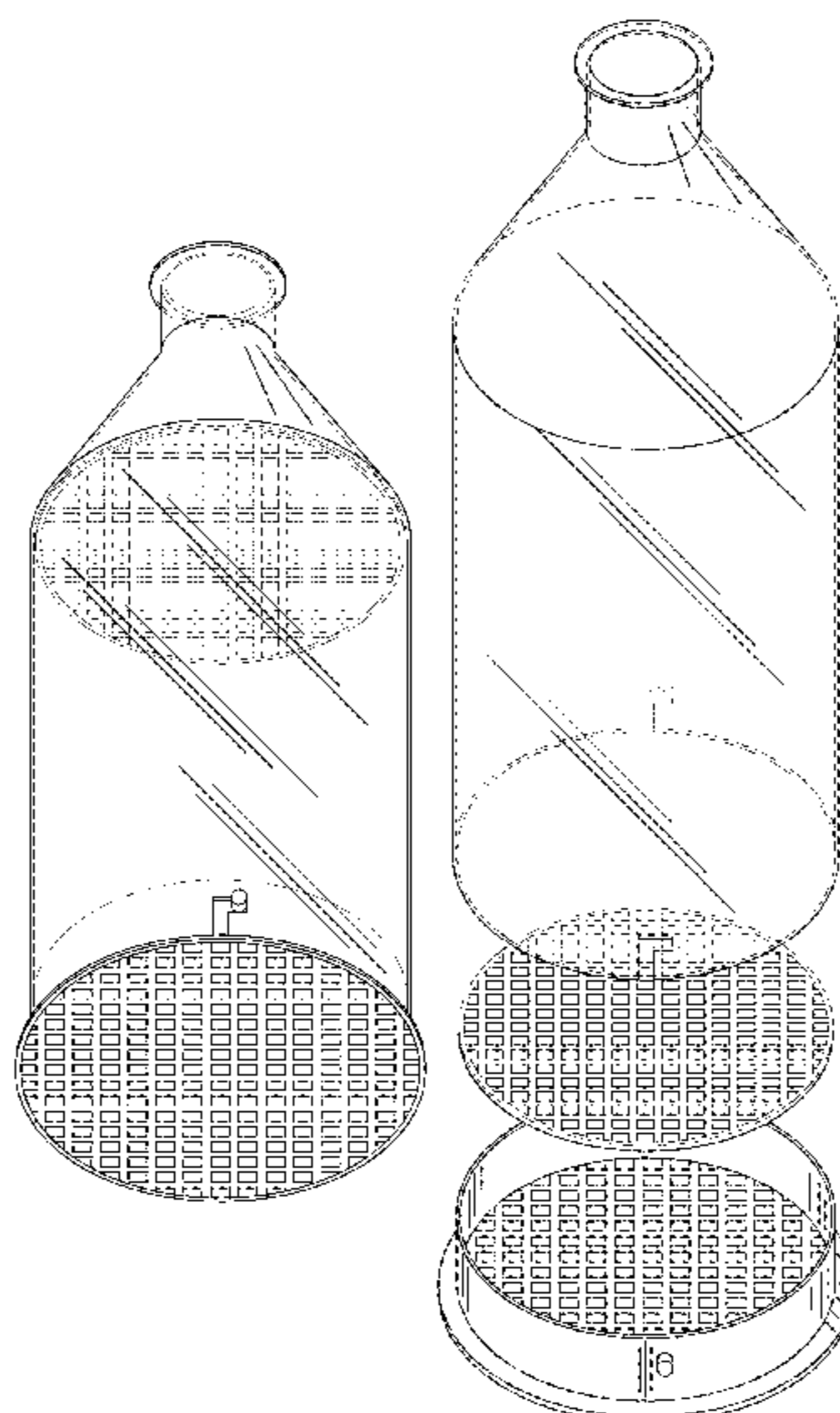
(57) **CLAIM**

The ornamental design for an aquarium filter holder, as shown and described.

DESCRIPTION

FIG. 1 is a bottom perspective view of an aquarium filter holder showing my new design in its assembled condition; FIG. 2 is a bottom perspective view of the aquarium filter holder in its unassembled condition; FIG. 3 is a top perspective view of an aquarium filter holder in its unassembled condition; FIG. 4 is a front view of the aquarium filter holder in its assembled condition; FIG. 5 is a left side view of the aquarium filter holder in its assembled condition; FIG. 6 is a top view of the aquarium filter holder in its assembled condition; FIG. 7 is a bottom view of the aquarium filter holder in its assembled condition; and, FIG. 8 is a left side cross-sectional view of the aquarium filter holder of FIG. 4 in its assembled condition. Right side view not shown is a mirror image of the left side.

1 Claim, 7 Drawing Sheets



(56)

References Cited

U.S. PATENT DOCUMENTS

D634,397 S * 3/2011 Lautzenheiser D23/207
9,363,985 B1 * 6/2016 Ford A01K 63/04
10,085,431 B1 * 10/2018 Watson A01K 63/003
D889,594 S * 7/2020 Fangman D23/207
D889,595 S * 7/2020 Fangman D23/207
2002/0189989 A1 * 12/2002 Cheng A01K 63/045
210/167.21
2007/0051320 A1 * 3/2007 Yen A01K 63/045
119/264
2008/0006569 A1 * 1/2008 Liu A01K 63/045
119/264
2008/0047884 A1 * 2/2008 Lee C02F 1/003
210/94

OTHER PUBLICATIONS

HEEPDD 3 in 1 Aquarium Filter, Apr. 16, 2019, Amazon, site visited Mar. 7, 2022: <https://www.amazon.com/dp/B07QS3PN9D/> (Year: 2019).*

* cited by examiner

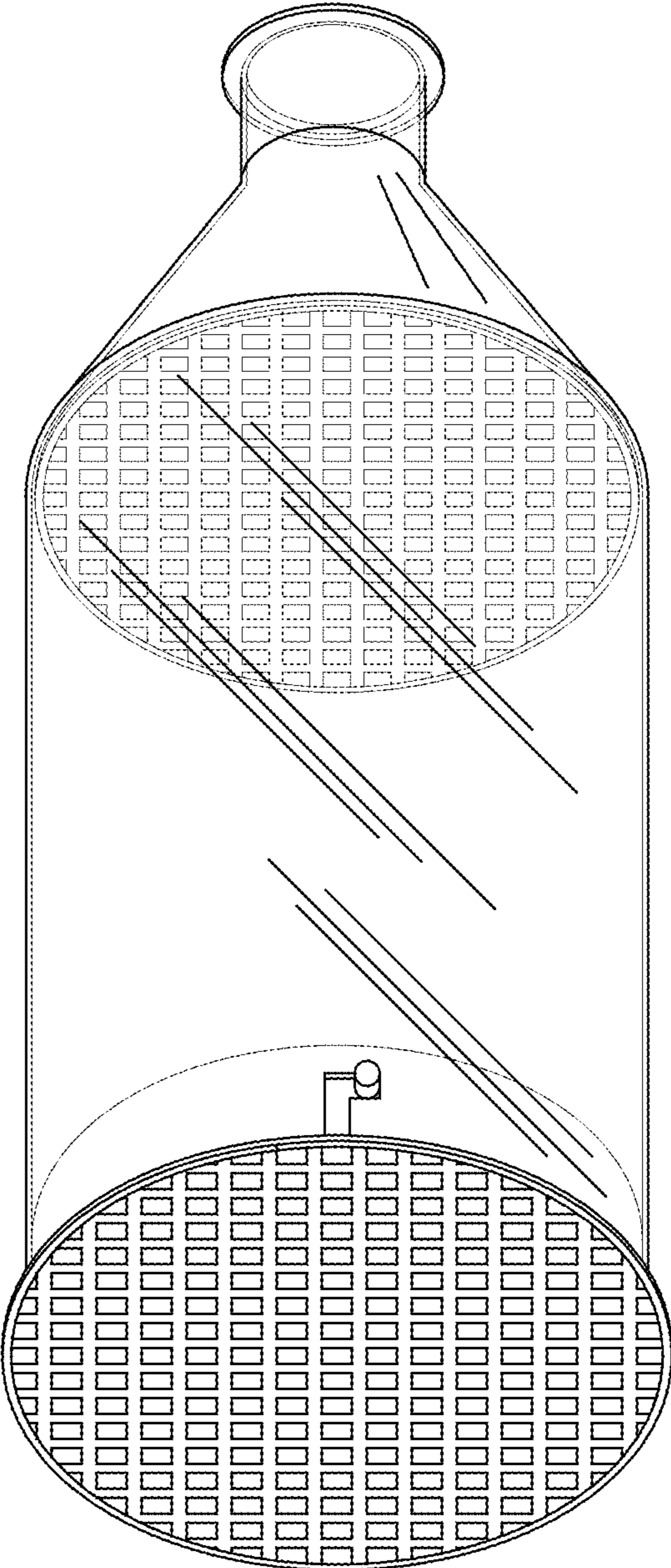


Fig. 1

Fig. 2

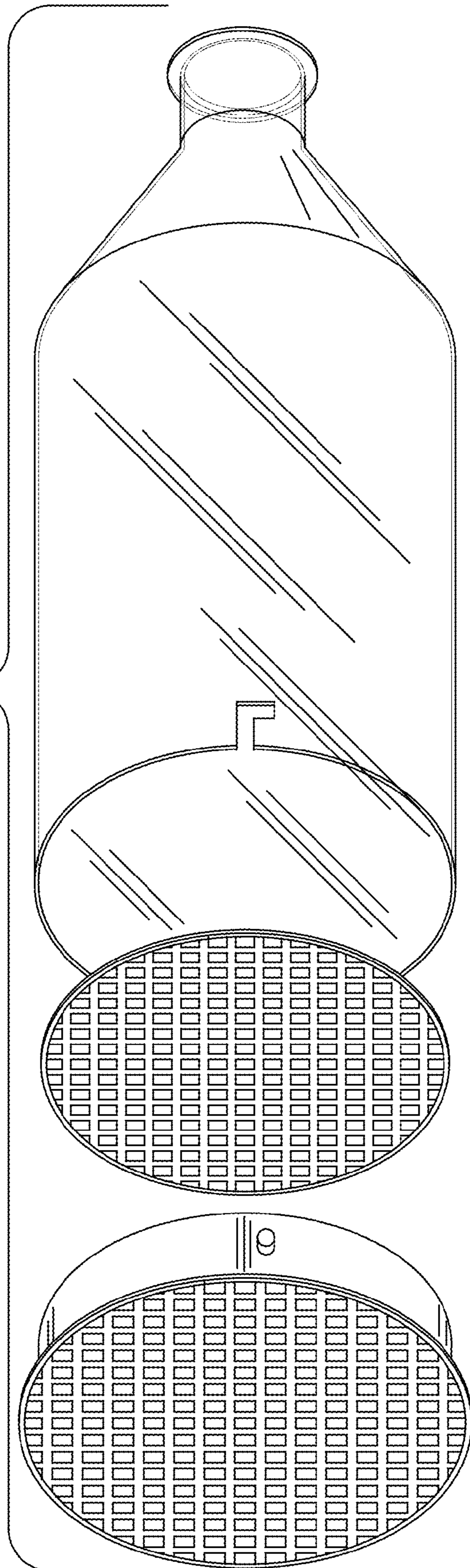
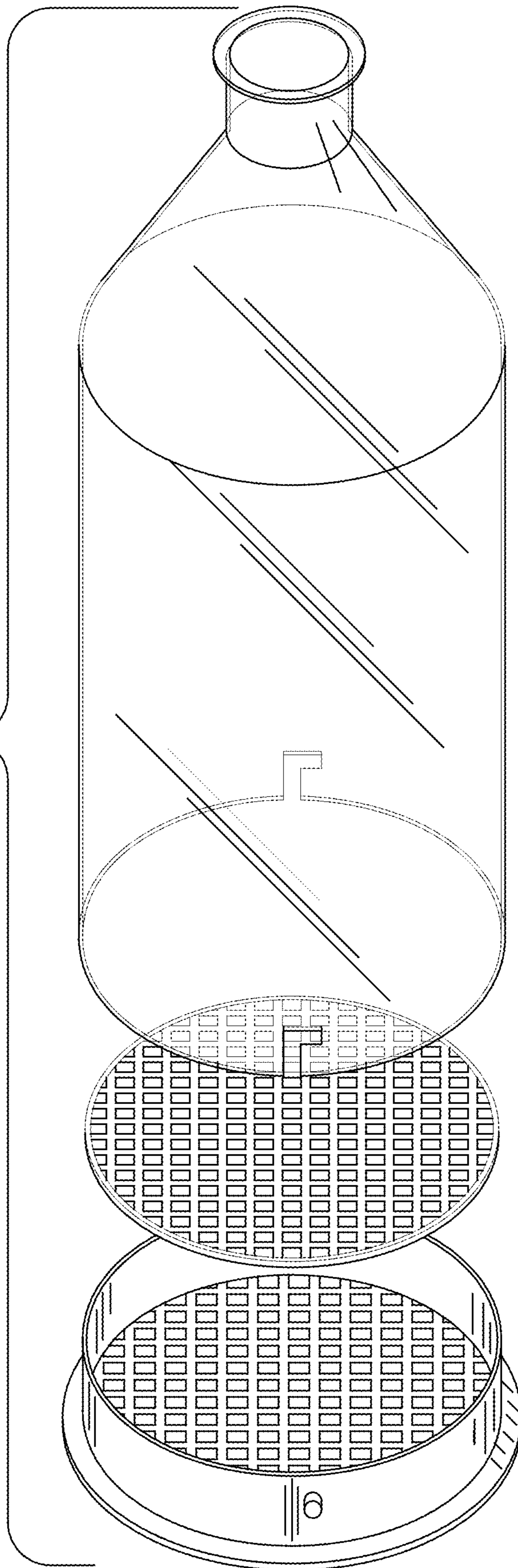


Fig. 3



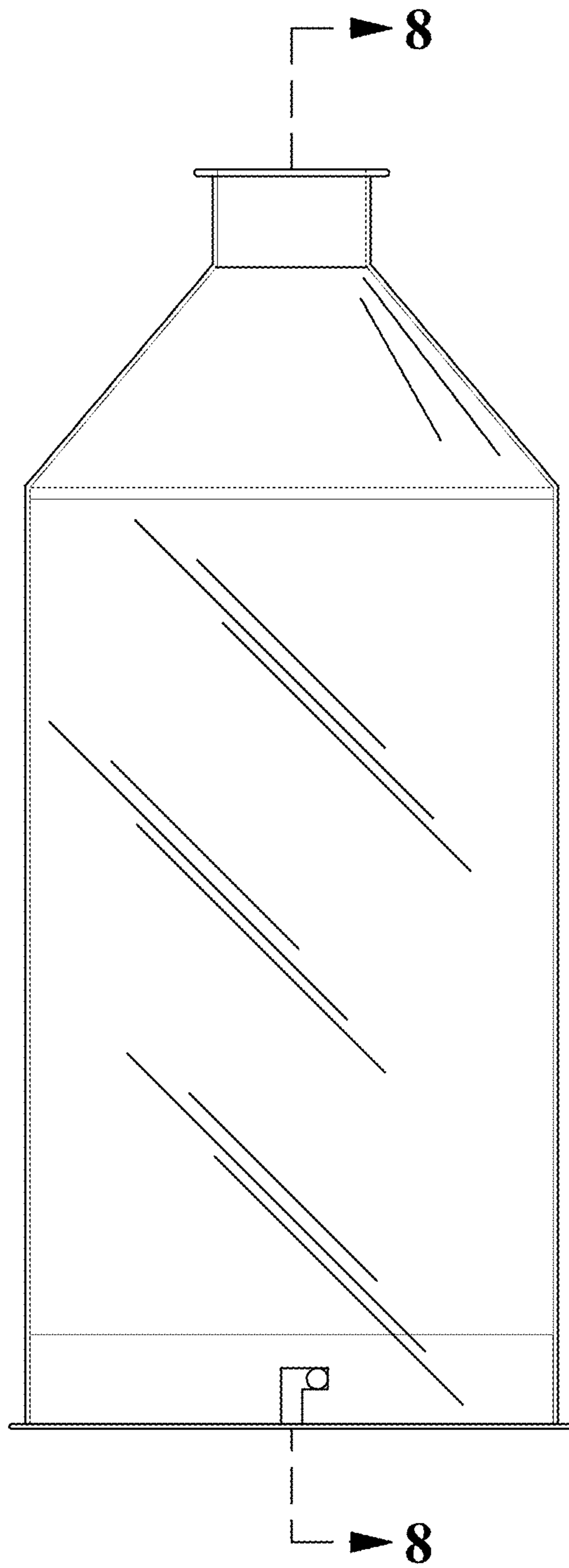


Fig. 4

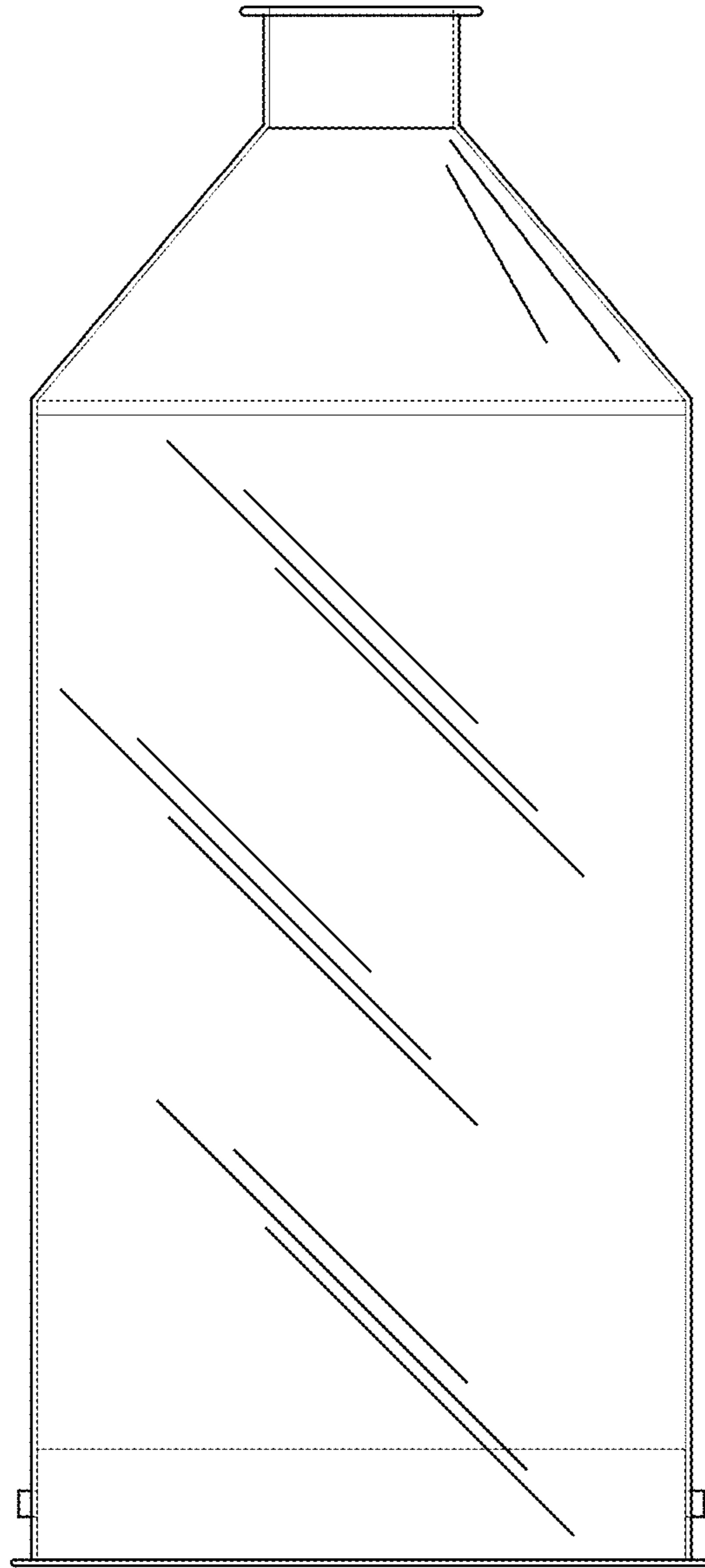


Fig. 5

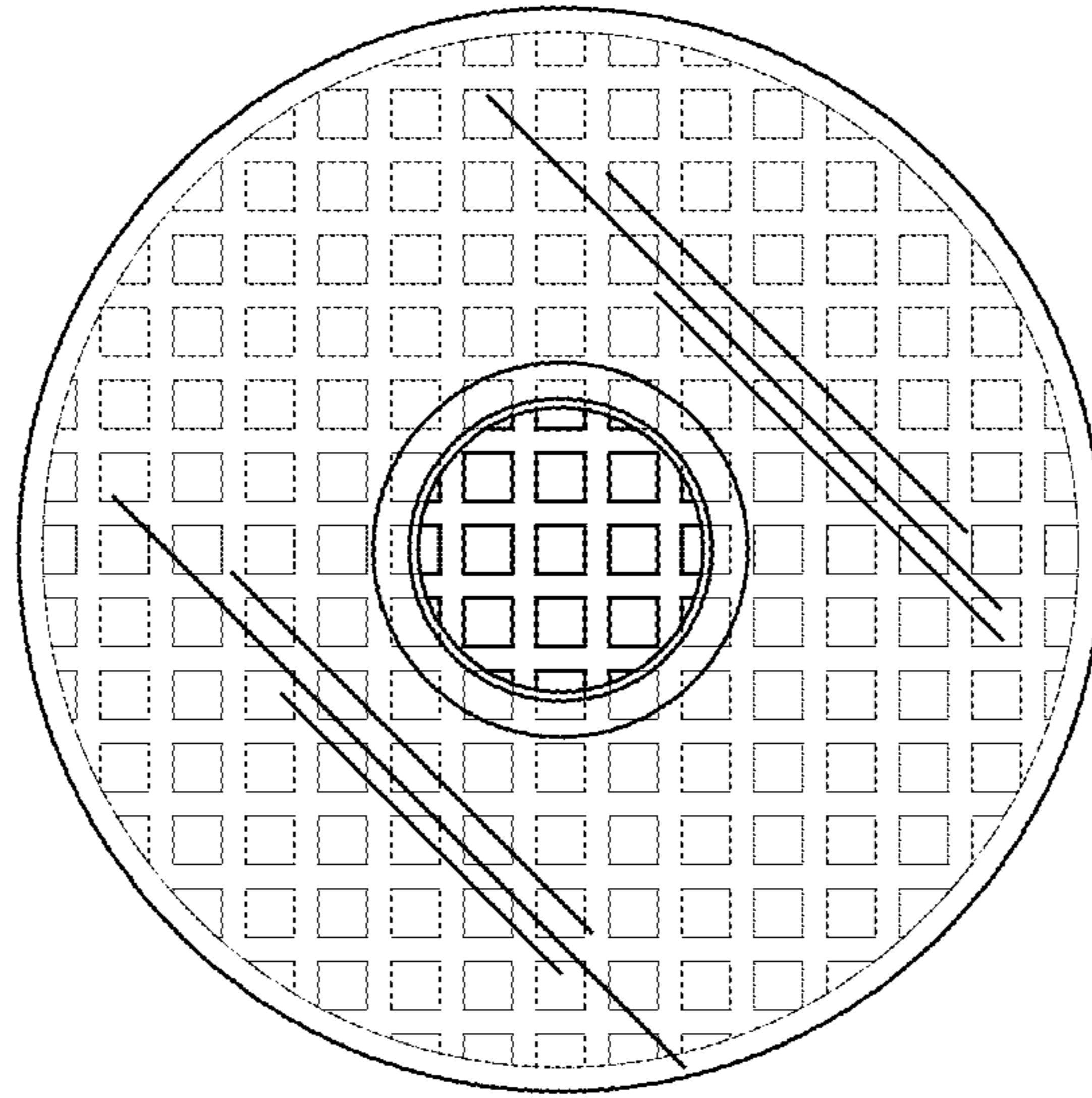


Fig. 6

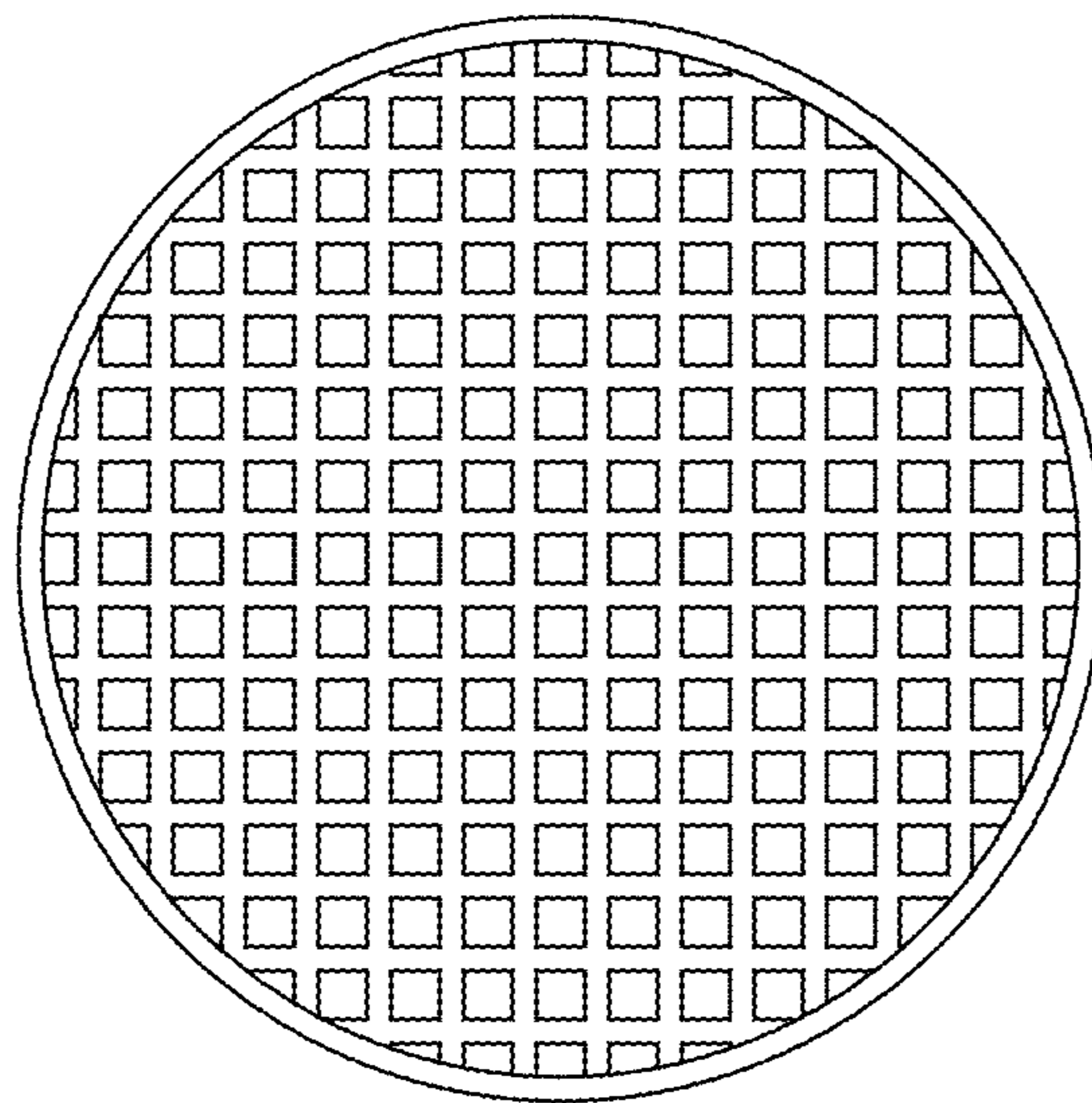


Fig. 7

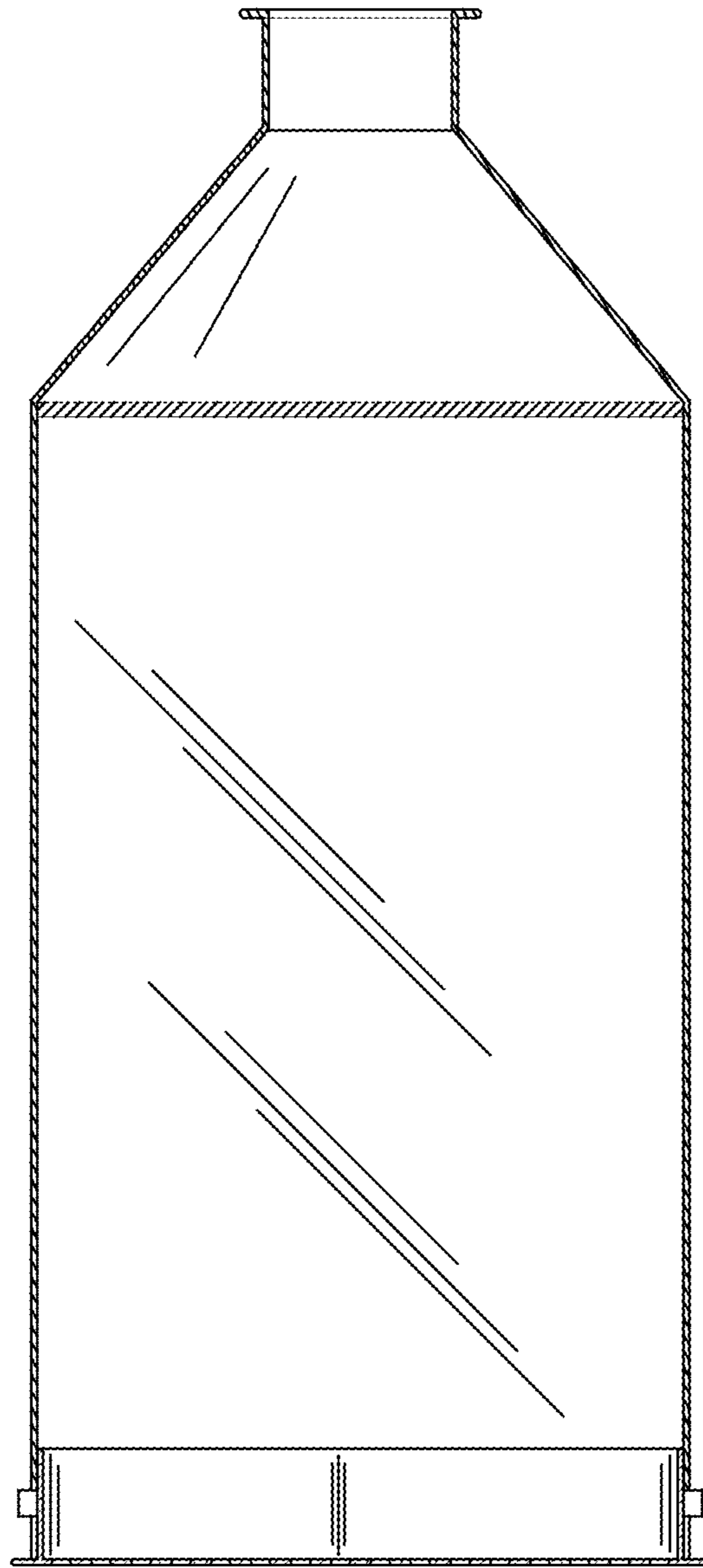


Fig. 8