



US00D969965S

(12) **United States Design Patent**  
**Hogg**

(10) **Patent No.:** **US D969,965 S**

(45) **Date of Patent:** **\*\* Nov. 15, 2022**

(54) **POOL FILTER HOLDER**

(71) Applicant: **Magnum Filters Limited**, Auckland (NZ)

(72) Inventor: **Peter Leslie Hogg**, Auckland (NZ)

(73) Assignee: **Magnum Filters Limited**, Auckland (NZ)

(\*\*) Term: **15 Years**

(21) Appl. No.: **29/754,964**

(22) Filed: **Oct. 15, 2020**

(30) **Foreign Application Priority Data**

Jun. 12, 2020 (NZ) ..... 427631

(51) **LOC (13) Cl.** ..... **23-01**

(52) **U.S. Cl.**  
USPC ..... **D23/209**

(58) **Field of Classification Search**  
USPC ..... D23/207, 208, 209, 210, 235, 259, 260,  
D23/261, 262, 266, 355, 363, 365;  
D24/162, 217, 229

CPC ..... B01D 27/00; B01D 27/08; B01D 35/02;  
B01D 2201/305; B01D 2201/309; B01D  
2201/4023; C02F 2201/002; C02F  
2307/10

See application file for complete search history.

(56) **References Cited**

**U.S. PATENT DOCUMENTS**

- 4,217,331 A \* 8/1980 Schaub ..... B01D 11/00  
D23/207
- 4,630,634 A \* 12/1986 Sasaki ..... C02F 1/688  
D23/207
- 5,904,846 A \* 5/1999 Clements ..... B01D 65/003  
210/493.1
- 6,598,749 B2 \* 7/2003 Paul ..... B01D 29/21  
210/493.4
- D483,092 S \* 12/2003 Hamada ..... D23/207

(Continued)

**OTHER PUBLICATIONS**

Guardian Pool Spa Filter, May 1, 2014, Amazon, site visited Mar. 7, 2022: <https://www.amazon.ca/dp/B00O3OJFAU/> (Year: 2014).\*  
(Continued)

*Primary Examiner* — Jack Reickel

*Assistant Examiner* — Bobby W Jones, II

(74) *Attorney, Agent, or Firm* — Cahn & Samuels LLP

(57) **CLAIM**

The ornamental design for a pool filter holder, as shown and described.

**DESCRIPTION**

FIG. 1 is a top perspective view of the pool filter holder. FIG. 2 is a bottom perspective view of the pool filter holder of FIG. 1.

FIG. 3 is a bottom perspective view of the pool filter holder of FIG. 1 with the cap removed.

FIG. 4 is a first side elevational view of the pool filter holder of FIG. 1.

FIG. 5 is a second side elevational view of the pool filter holder of FIG. 1 orthogonal to the first side view.

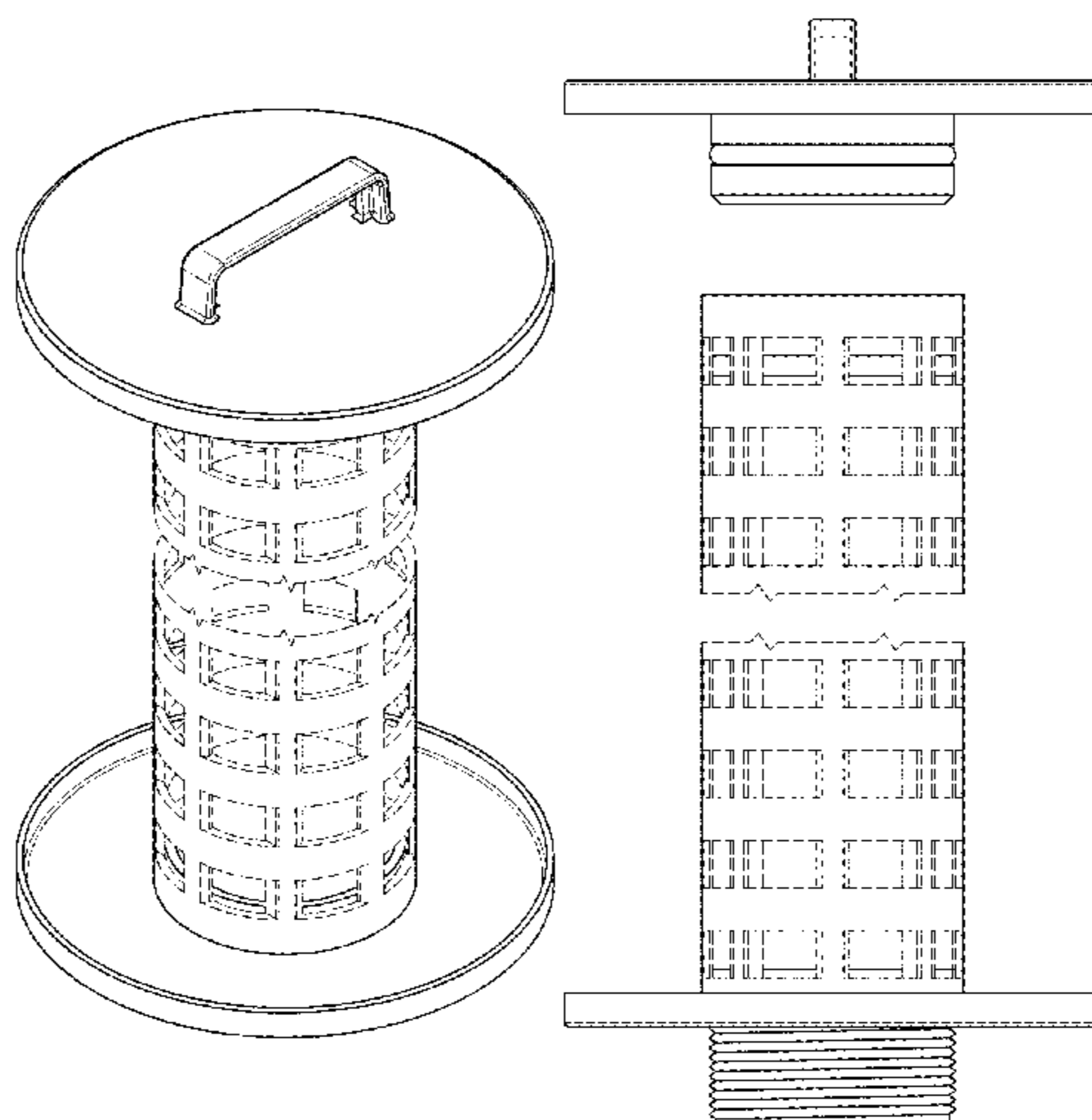
FIG. 6 is the first side elevational view of the pool filter holder of FIG. 1 with the cap removed.

FIG. 7 is a top plan view of the pool filter holder of FIG. 1; and,

FIG. 8 is a bottom plan view of the pool filter holder of FIG. 1.

The drawings are shown with a symbolic break in length. The appearance of any portion of the article between the break lines forms no part of the claimed design. The evenly-dashed-straight broken lines are included for the purposes of illustrating portions of the article that form no part of the claimed design. The dashed break lines define the bounds of the claimed design and form no part thereof.

**1 Claim, 7 Drawing Sheets**



(56)

**References Cited**

U.S. PATENT DOCUMENTS

D496,985 S \* 10/2004 King ..... D23/209  
D520,127 S \* 5/2006 Khalil ..... D23/365  
7,169,302 B2 \* 1/2007 Stockbower ..... B01D 35/306  
210/232  
D750,736 S \* 3/2016 Enomoto ..... D23/207  
D815,895 S \* 4/2018 Roth ..... D23/209  
D825,029 S \* 8/2018 Goldman ..... D23/209  
D879,276 S \* 3/2020 King, Jr. .... D23/365  
D880,656 S \* 4/2020 Coelho ..... D23/209  
D898,310 S \* 10/2020 Miller ..... D32/1  
D904,560 S \* 12/2020 Coelho ..... D23/209  
D930,786 S \* 9/2021 Huang ..... D23/207  
2014/0319050 A1 \* 10/2014 Shaffer ..... C02F 9/005  
210/493.5  
2017/0252682 A1 \* 9/2017 Gustafson ..... B01D 35/005  
2018/0016158 A1 \* 1/2018 McDonald ..... B67D 3/0019  
2018/0264382 A1 \* 9/2018 Dani ..... B01D 27/08  
2020/0179840 A1 \* 6/2020 Vichev ..... F02M 35/0203  
2021/0252434 A1 \* 8/2021 Chen ..... F02M 37/54

OTHER PUBLICATIONS

Pleatco PTL20W-SV-P4, Apr. 30, 2020, Mkm poolspa, site visited  
Mar. 7, 2022: <https://www.mkm poolspa.com/pleatco-ptl20w-sv-p4-replacement-cartridge-softtub-20-sq-ft/> (Year: 2020).\*

\* cited by examiner

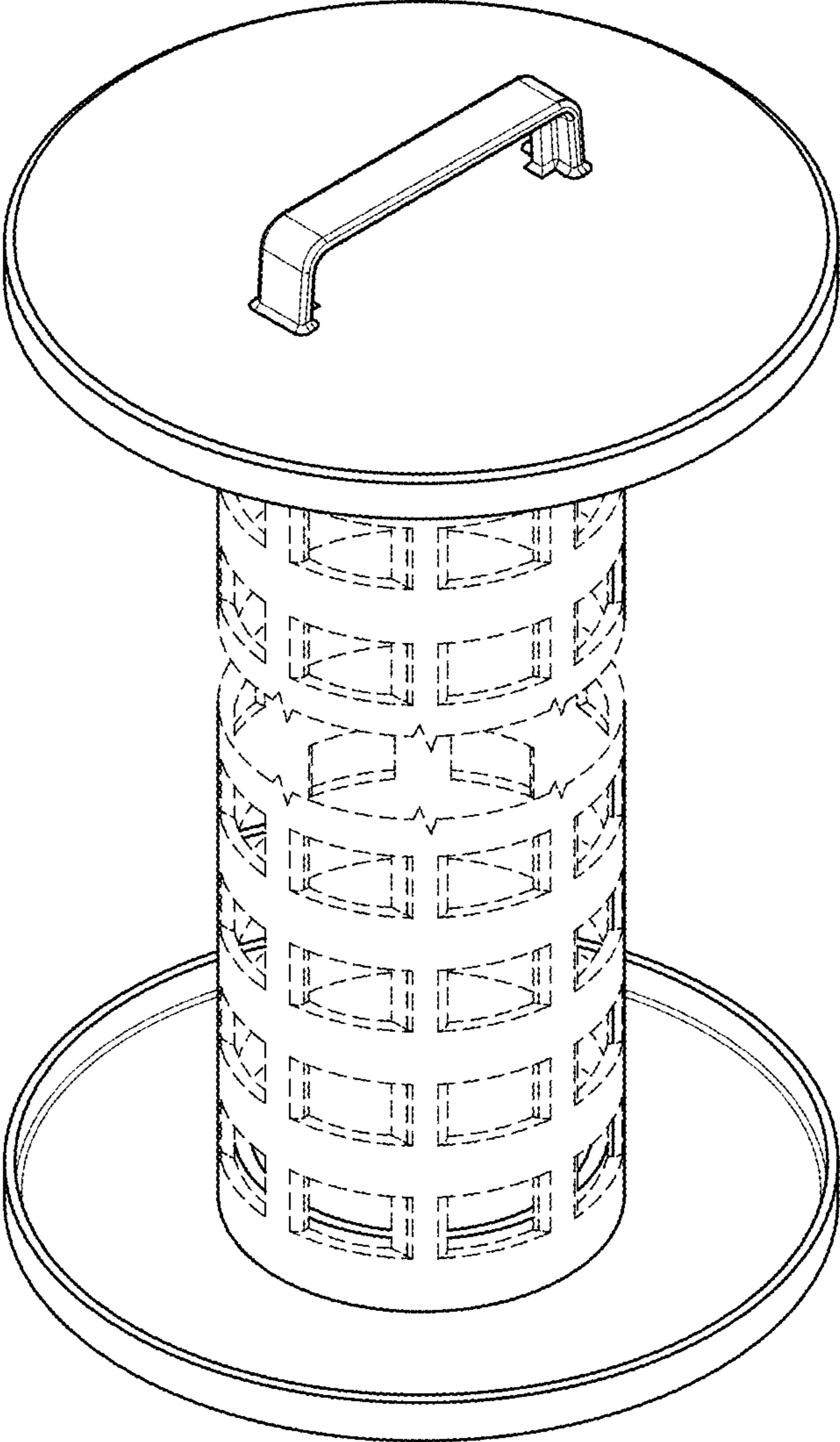


FIG. 1

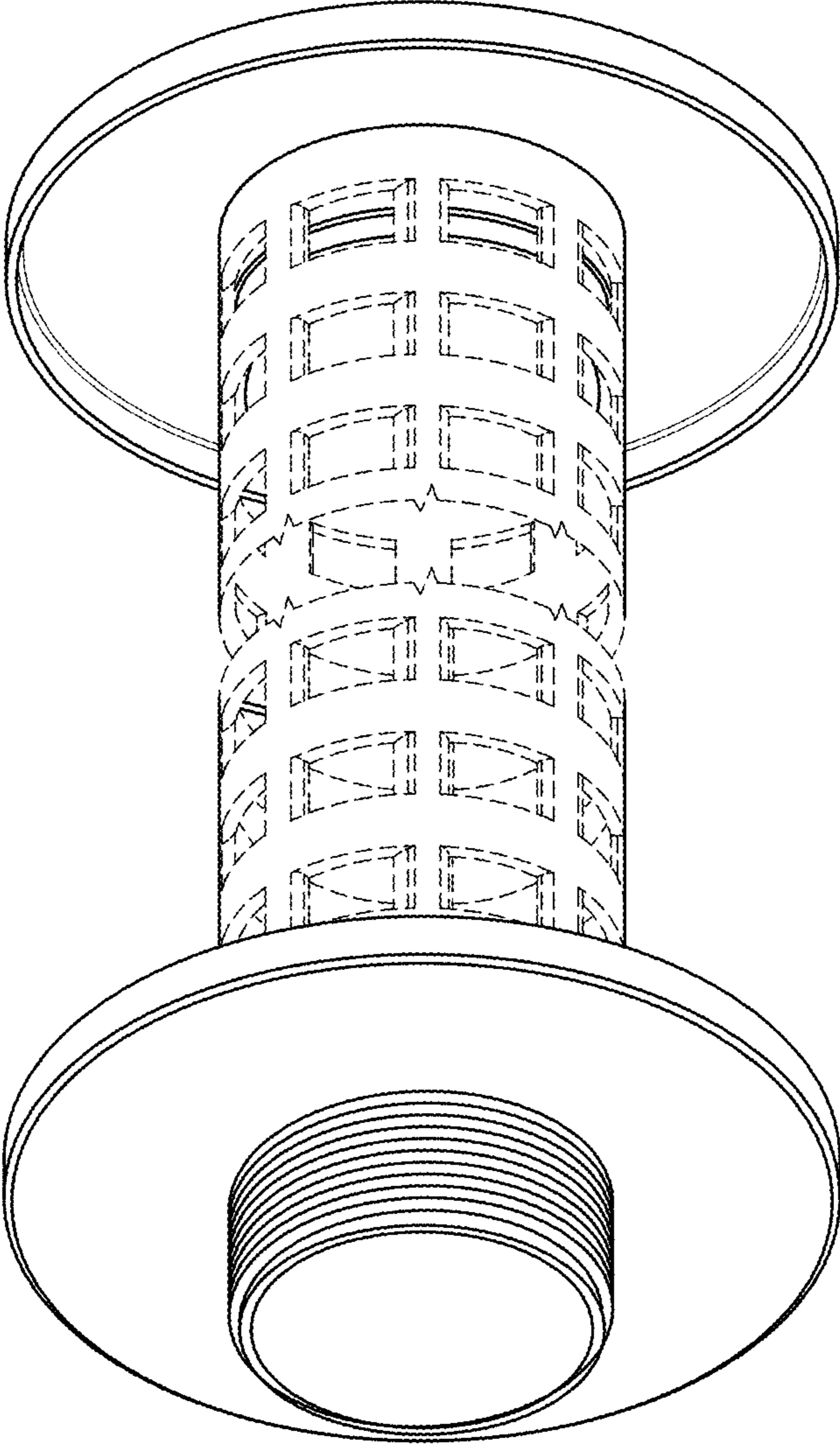


FIG. 2



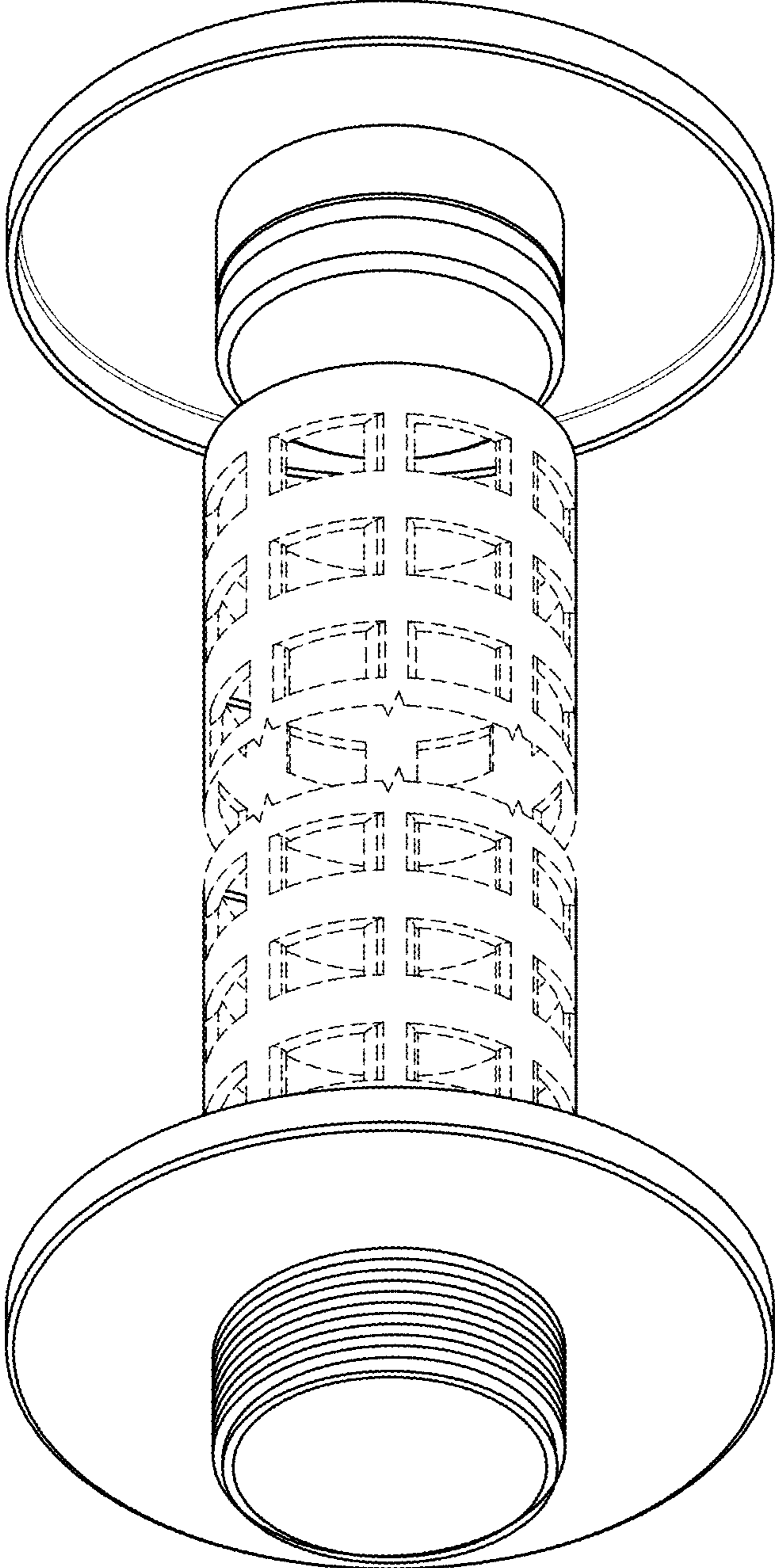


FIG. 3

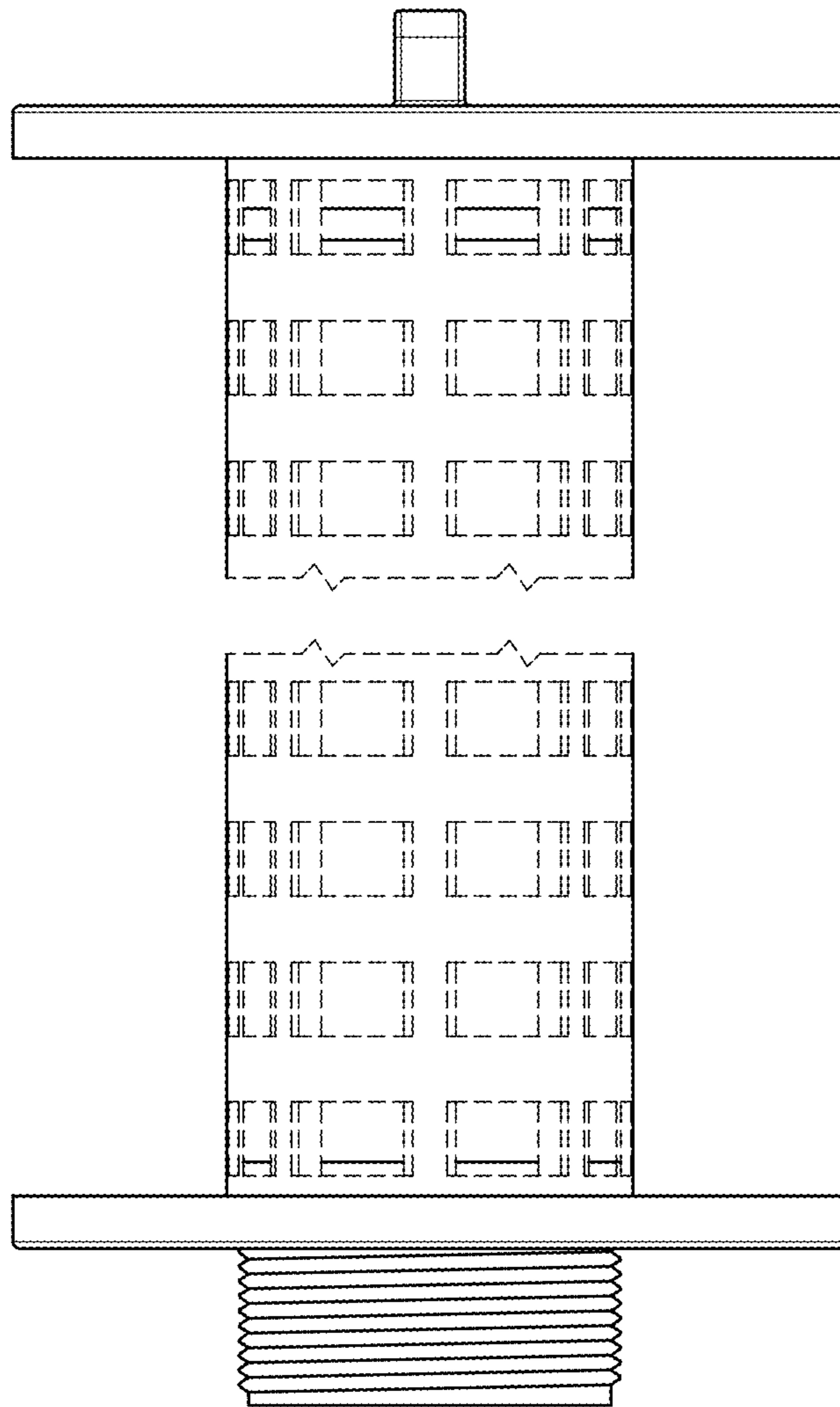


FIG. 4

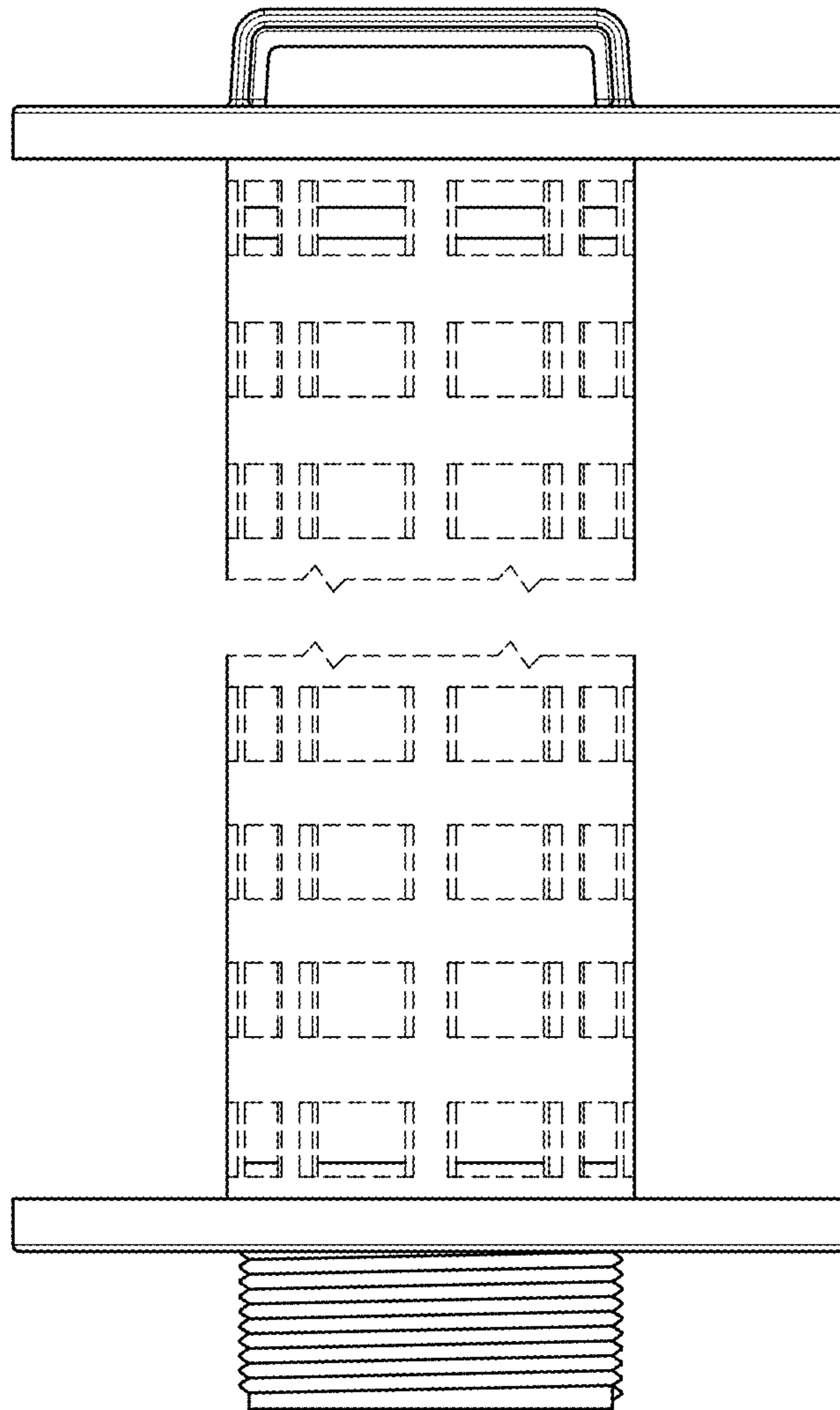


FIG. 5

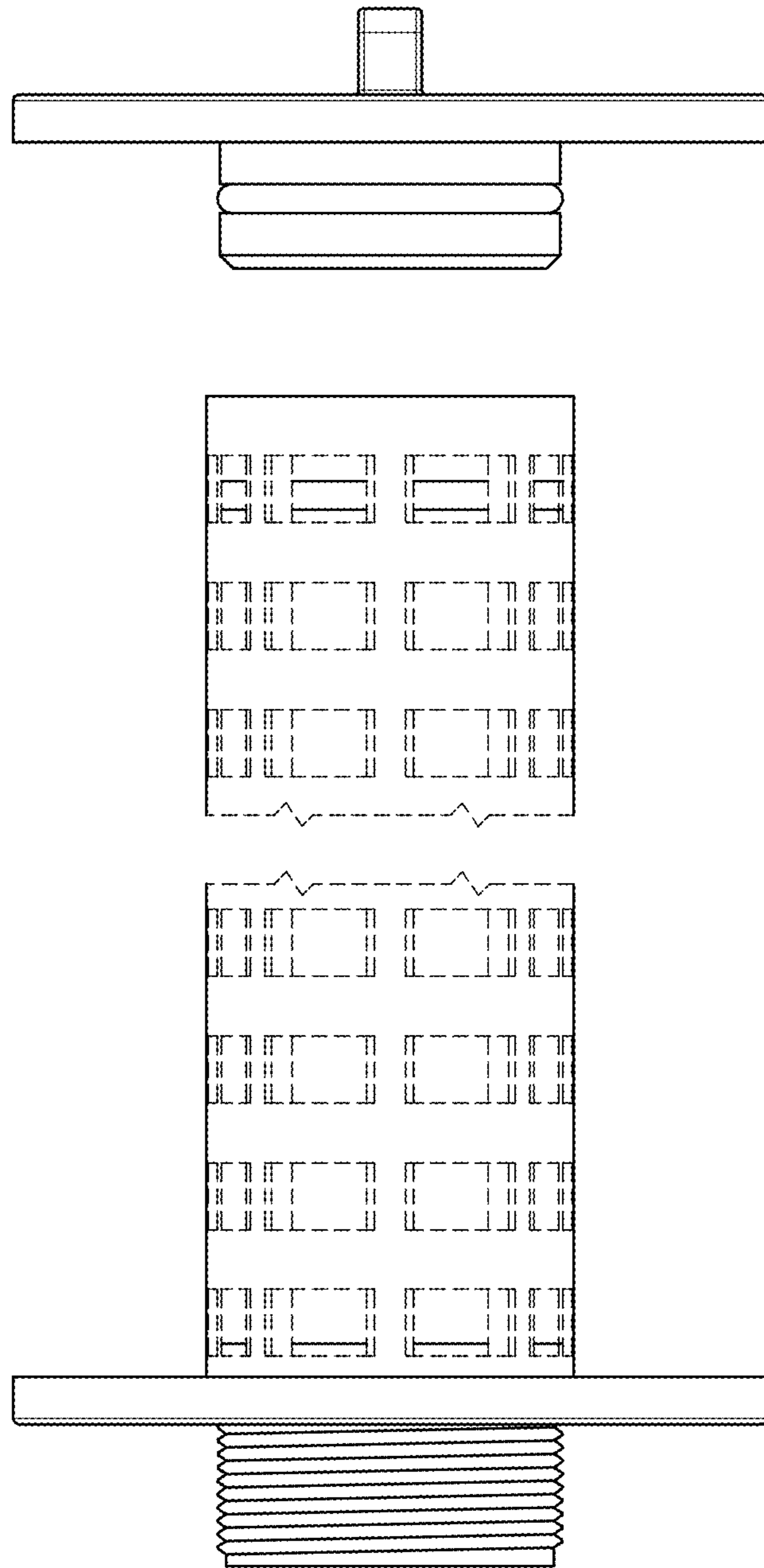


FIG. 6



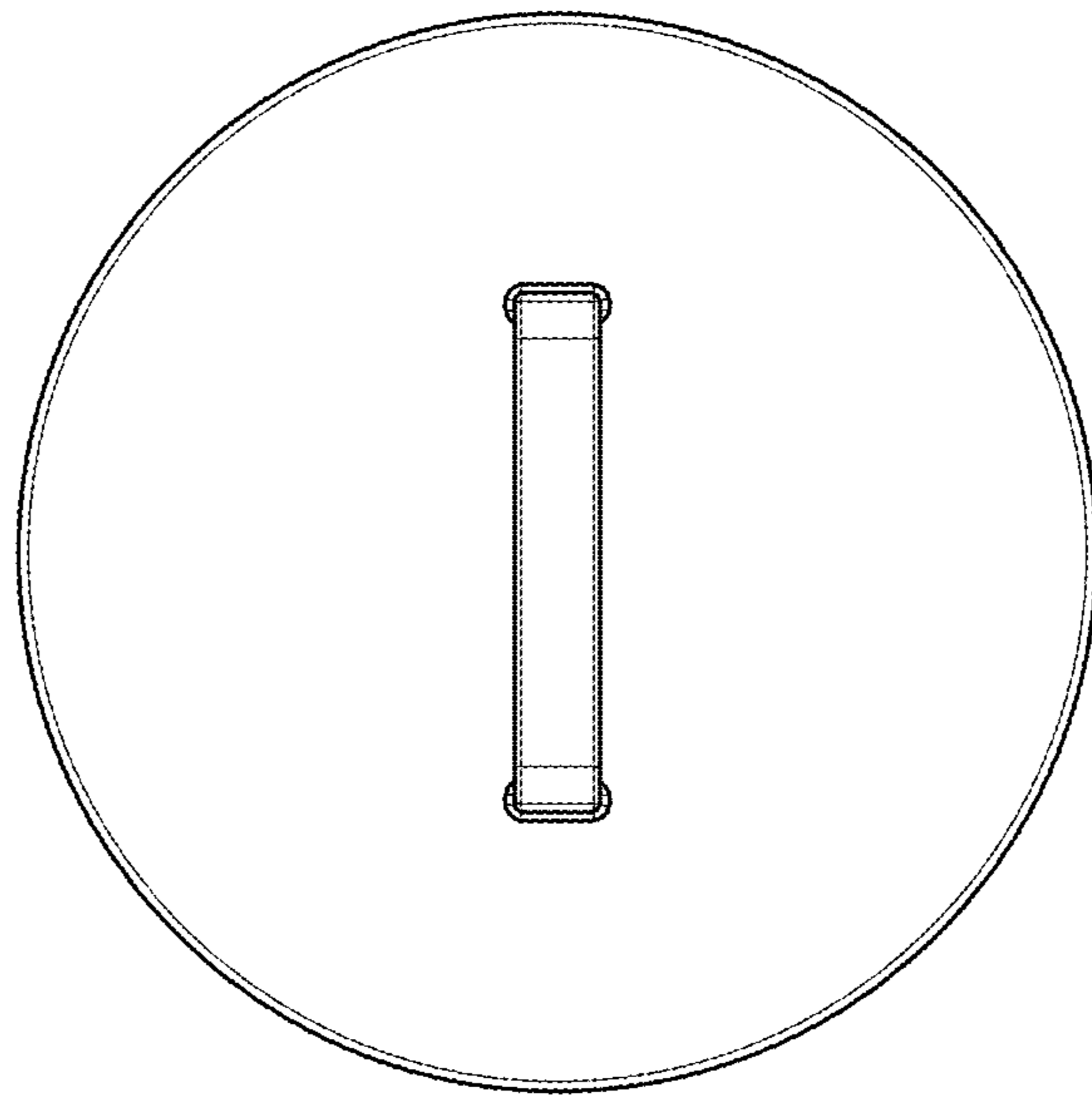


FIG. 7

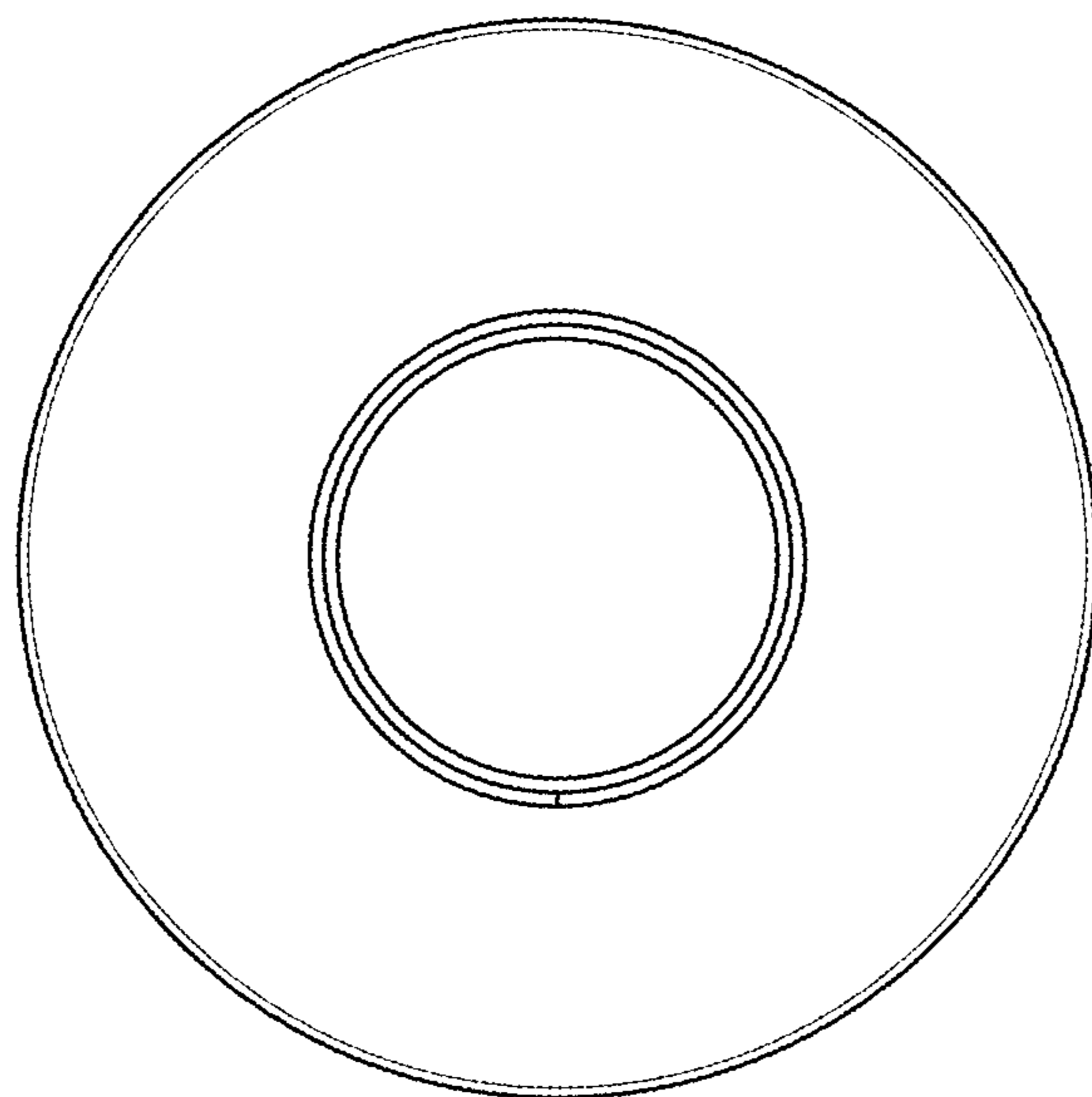


FIG. 8