

US00D969962S

(12) **United States Design Patent** (10) **Patent No.:** **US D969,962 S**
Kaye et al. (45) **Date of Patent:** **** Nov. 15, 2022**

(54) **TOILET RIM BLOCKS**

(71) Applicant: **Henkel AG & Co. KGaA**, Duesseldorf (DE)
(72) Inventors: **Glenn William Kaye**, Norwalk, CT (US); **John Kevin Clay**, Milford, CT (US)
(73) Assignee: **Henkel AG & Co. KGaA**, Duesseldorf (DE)

(**) Term: **15 Years**

(21) Appl. No.: **29/652,765**

(22) Filed: **Nov. 18, 2020**

(51) **LOC (13) Cl.** **23-01**

(52) **U.S. Cl.**
USPC **D23/208**

(58) **Field of Classification Search**
USPC D23/200, 202, 207, 208, 209, 210
CPC E03D 9/02; E03D 9/03; E03D 9/032
See application file for complete search history.

(56) **References Cited**

U.S. PATENT DOCUMENTS

4,777,670	A *	10/1988	Klinkhammer	B01F 21/22
					4/231
D307,624	S *	5/1990	Wefler	D23/208
D308,409	S *	6/1990	Hoyt	D23/208
D355,474	S *	2/1995	Kearnes	D23/208
D387,848	S *	12/1997	Thompson	D23/208
6,311,340	B1 *	11/2001	Thompson	E03D 9/032
					4/231
D481,440	S *	10/2003	Bernarducci	D23/208
D500,548	S *	1/2005	Conway	D23/208
D536,059	S *	1/2007	King	D23/208
D590,912	S *	4/2009	Woolman	D23/208
D750,199	S *	2/2016	Gerhards	D23/208
D752,198	S *	3/2016	Zach	D23/208

(Continued)

OTHER PUBLICATIONS

Big D 675 Toilet Bowl Rim Hanger, Nov. 21, 2012, Amazon, site visited Jun. 13, 2022: <https://www.amazon.com/dp/B00AANJQUC/> (Year: 2012).*

(Continued)

Primary Examiner — Jack Reickel

Assistant Examiner — Bobby W Jones, II

(74) *Attorney, Agent, or Firm* — Bojuan Deng

(57) **CLAIM**

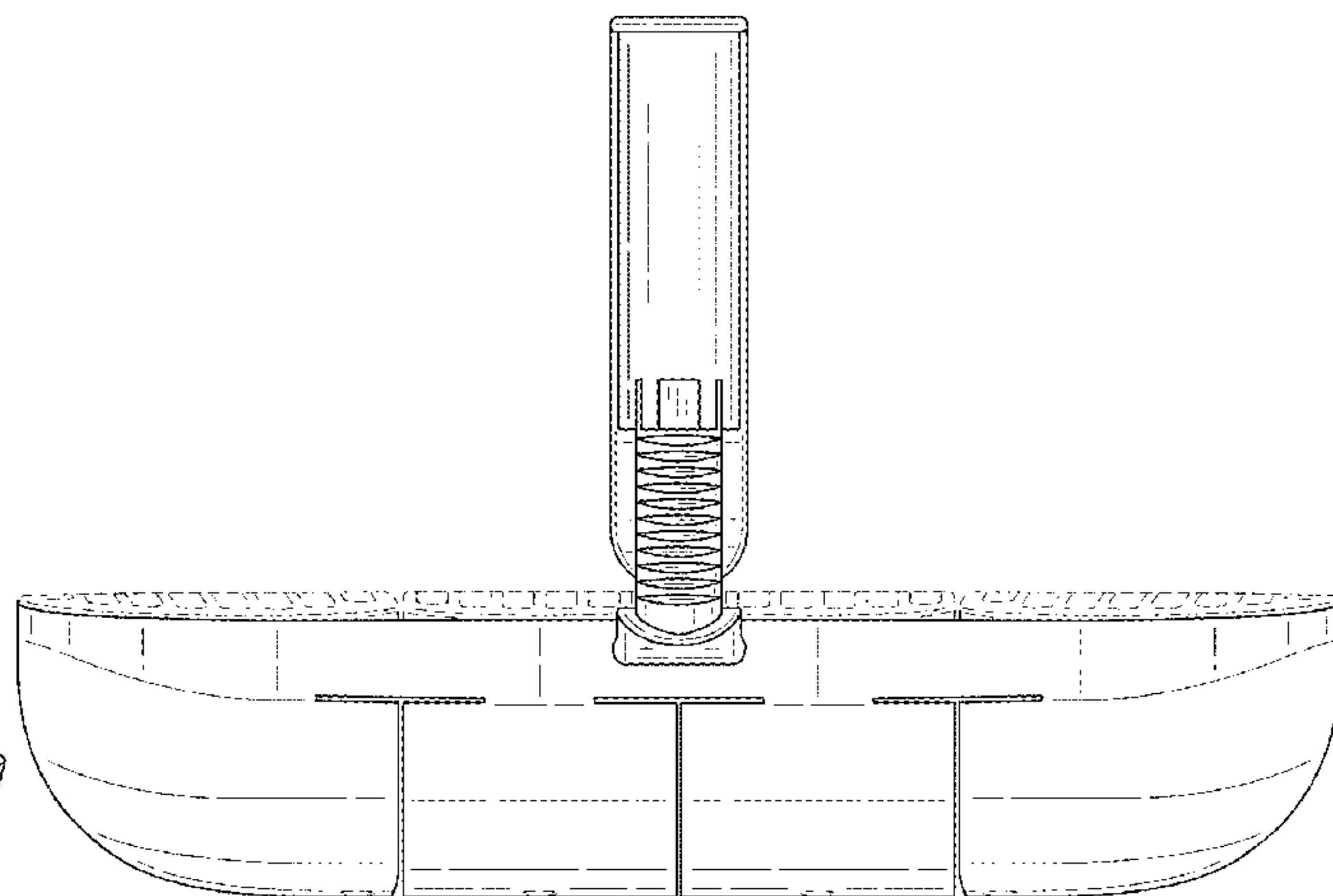
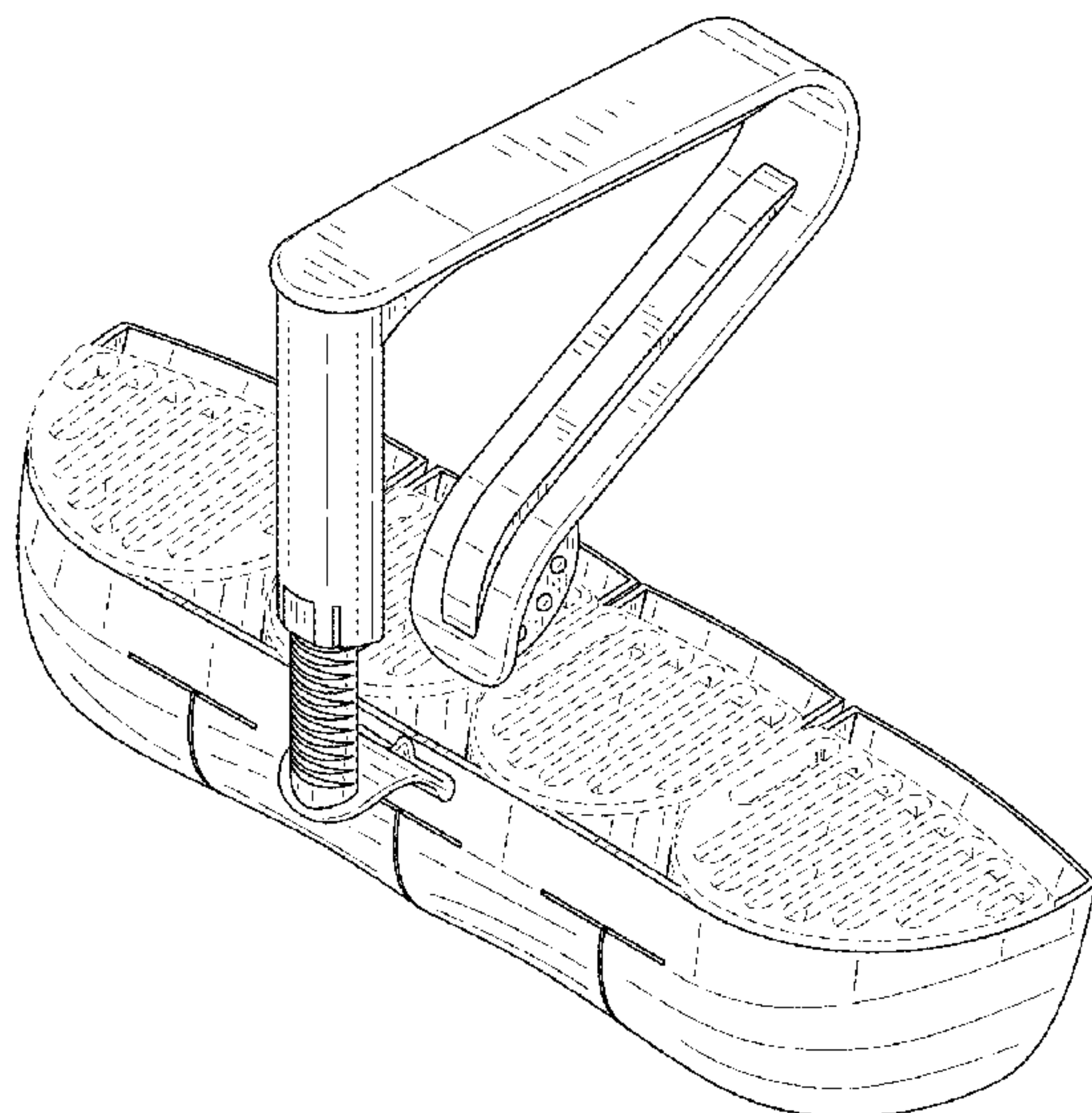
The ornamental design for toilet rim blocks, as shown and described.

DESCRIPTION

FIG. 1 is a top perspective view of toilet rim blocks embodying the new design according to a first embodiment; FIG. 2 is a bottom perspective view thereof; FIG. 3 is a front view thereof; FIG. 4 is a back view thereof; FIG. 5 is a right-side view thereof; FIG. 6 is a left-side view thereof; FIG. 7 is a top view thereof; and FIG. 8 is a bottom view thereof. FIG. 9 is a top perspective view of toilet rim blocks embodying the new design according to a second embodiment; FIG. 10 is a bottom perspective view thereof; FIG. 11 is a front view thereof; FIG. 12 is a back view thereof; FIG. 13 is a right-side view thereof; FIG. 14 is a left-side view thereof; FIG. 15 is a top view thereof; and FIG. 16 is a bottom view thereof.

The broken lines shown in the drawings depict portions of the toilet rim blocks that form no part of the claimed design.

1 Claim, 16 Drawing Sheets



(56)

References Cited

U.S. PATENT DOCUMENTS

D765,817 S * 9/2016 Gerhards D23/208
D788,259 S * 5/2017 Gerhards D23/208
D795,386 S * 8/2017 Warden D23/208
D818,082 S * 5/2018 Bruining D23/208
D899,562 S 10/2020 Timmann et al.
2002/0083514 A1 * 7/2002 Lhoste E03D 9/032
4/231
2004/0221378 A1 * 11/2004 Conway E03D 9/032
4/231
2005/0273918 A1 * 12/2005 Bernarducci E03D 9/032
4/231
2011/0138526 A1 * 6/2011 Hsu E03D 9/03
4/223
2013/0112830 A1 * 5/2013 Knorr E03D 9/032
248/304
2016/0032576 A1 * 2/2016 Leffler E03D 9/032
4/231
2019/0032318 A1 * 1/2019 Carver E03D 9/032
2020/0173157 A1 * 6/2020 Carver C11D 17/041

OTHER PUBLICATIONS

Soft Scrub 4-in-1 Rim Hanger, Jan. 26, 2018, Amazon, site visited
Jun. 13, 2022: <https://www.amazon.com/dp/B079J94S36/> (Year:
2018).*

* cited by examiner

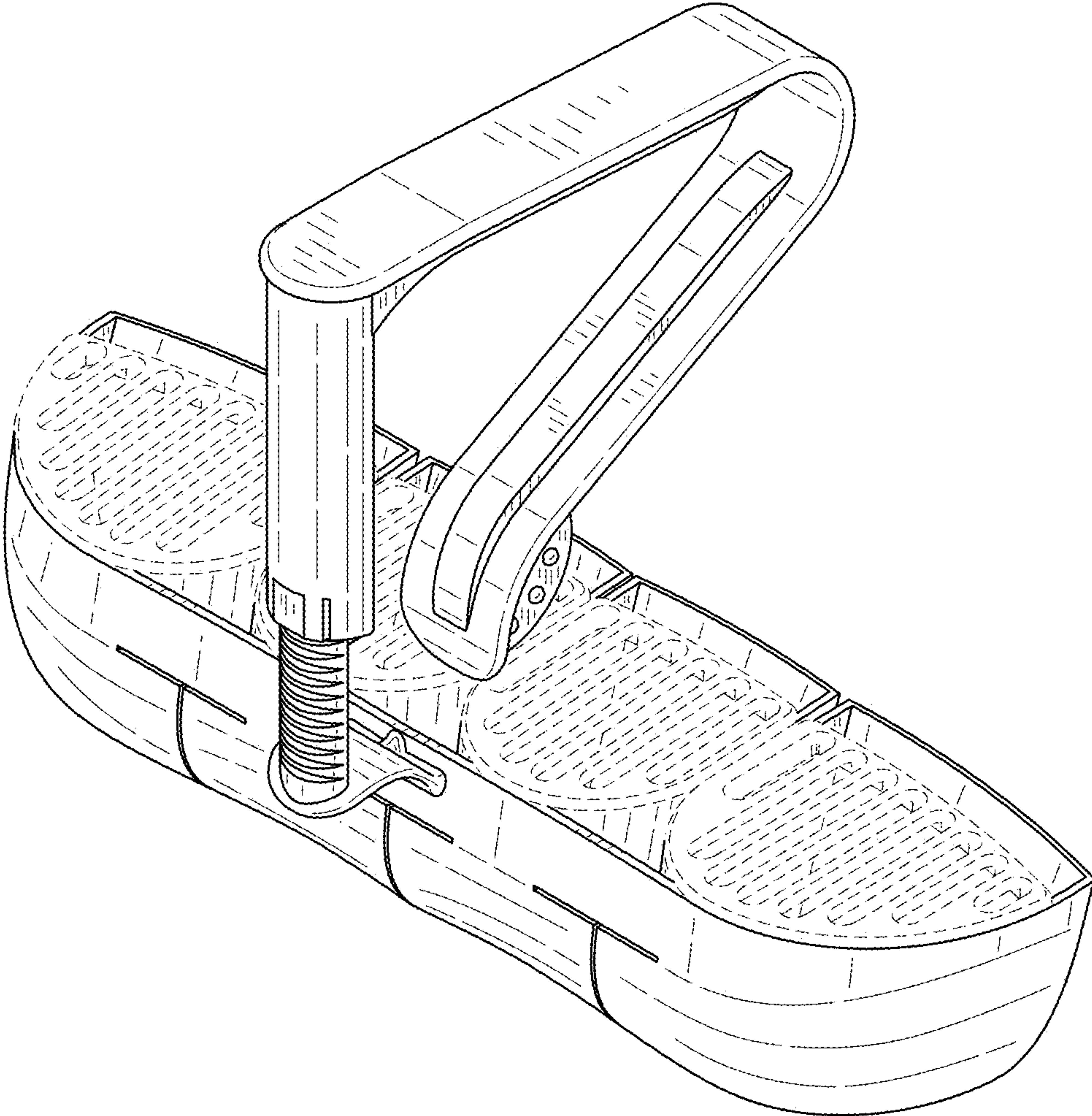


FIG.1

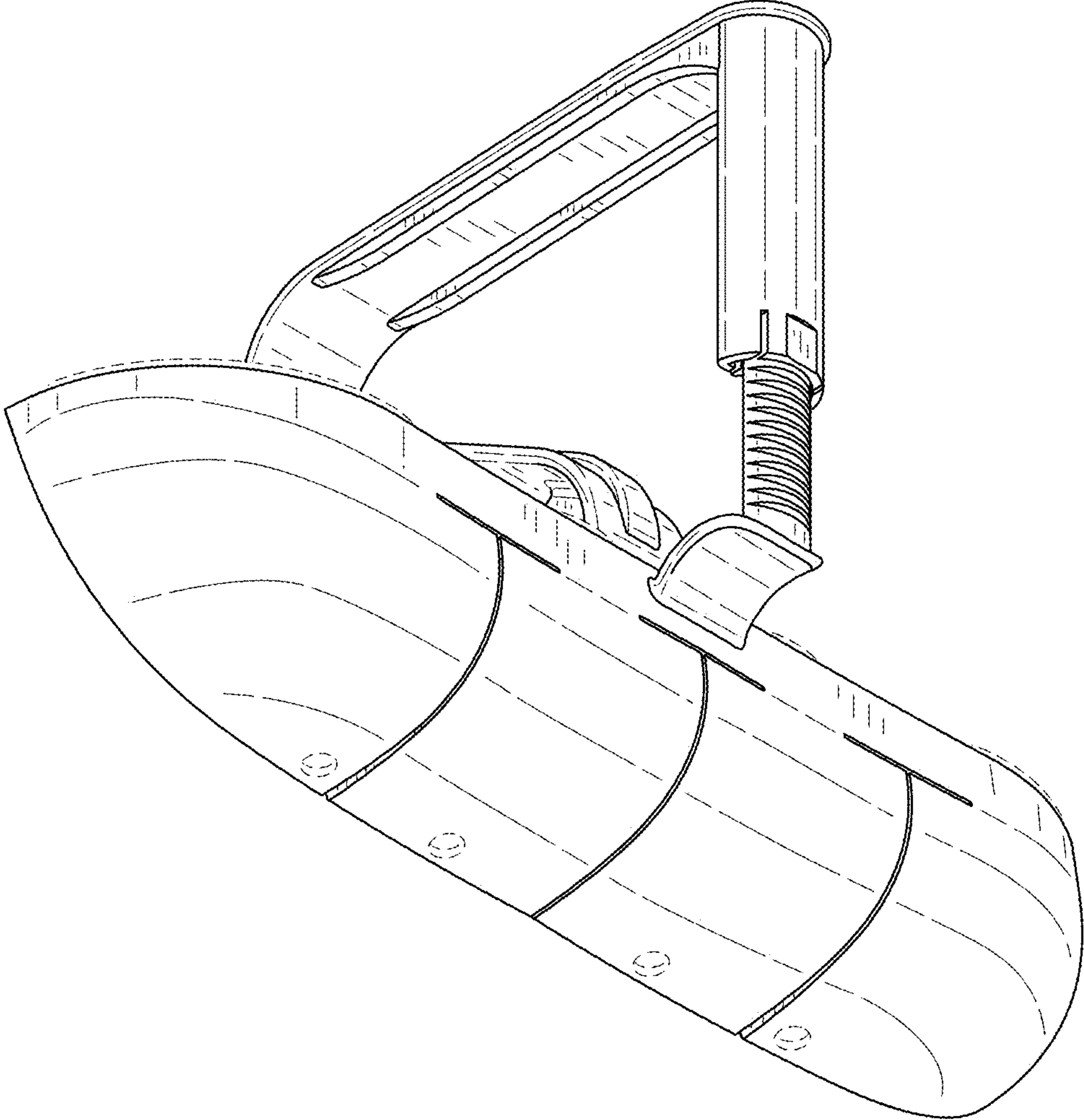


FIG.2

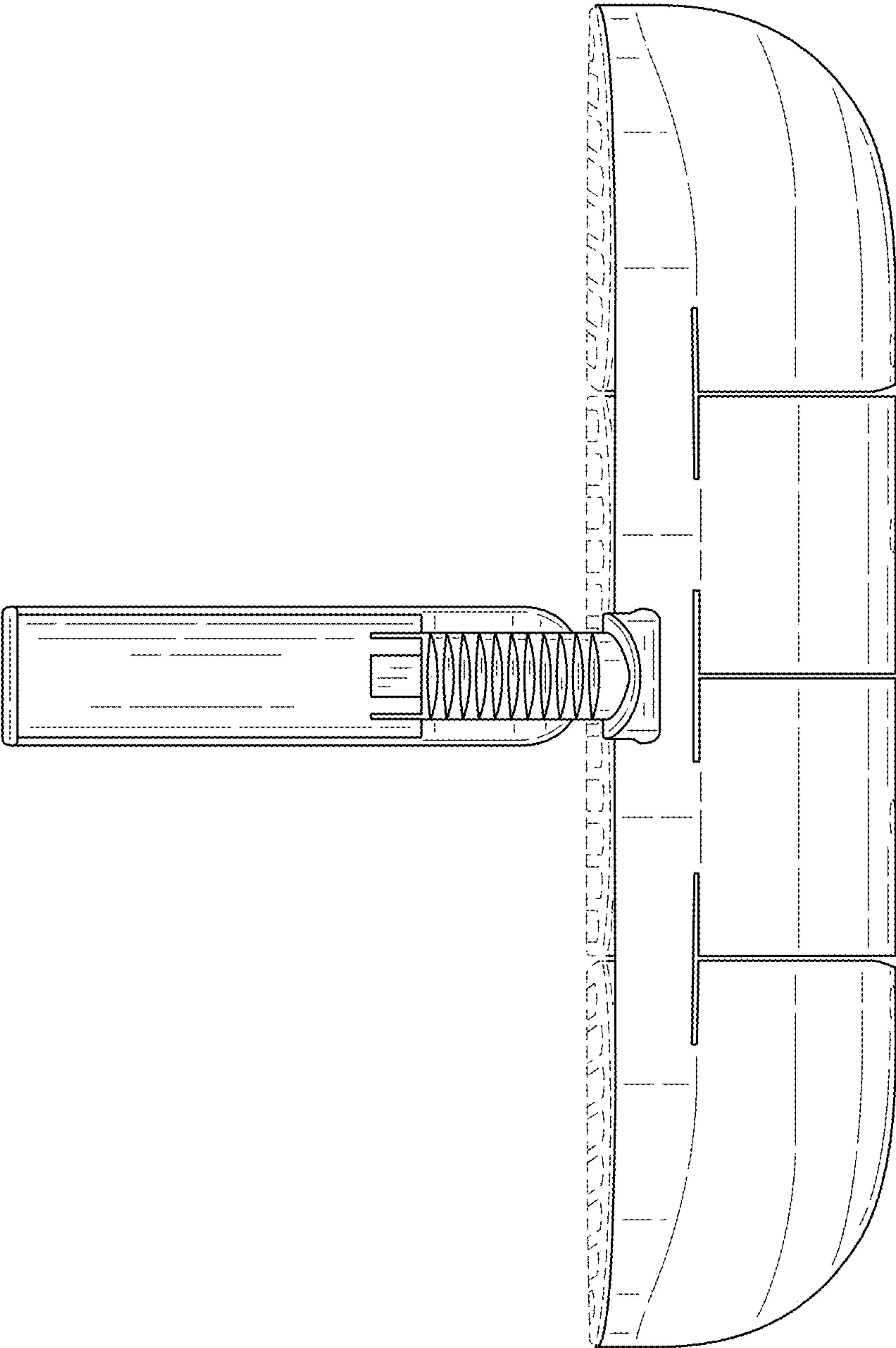


FIG.3

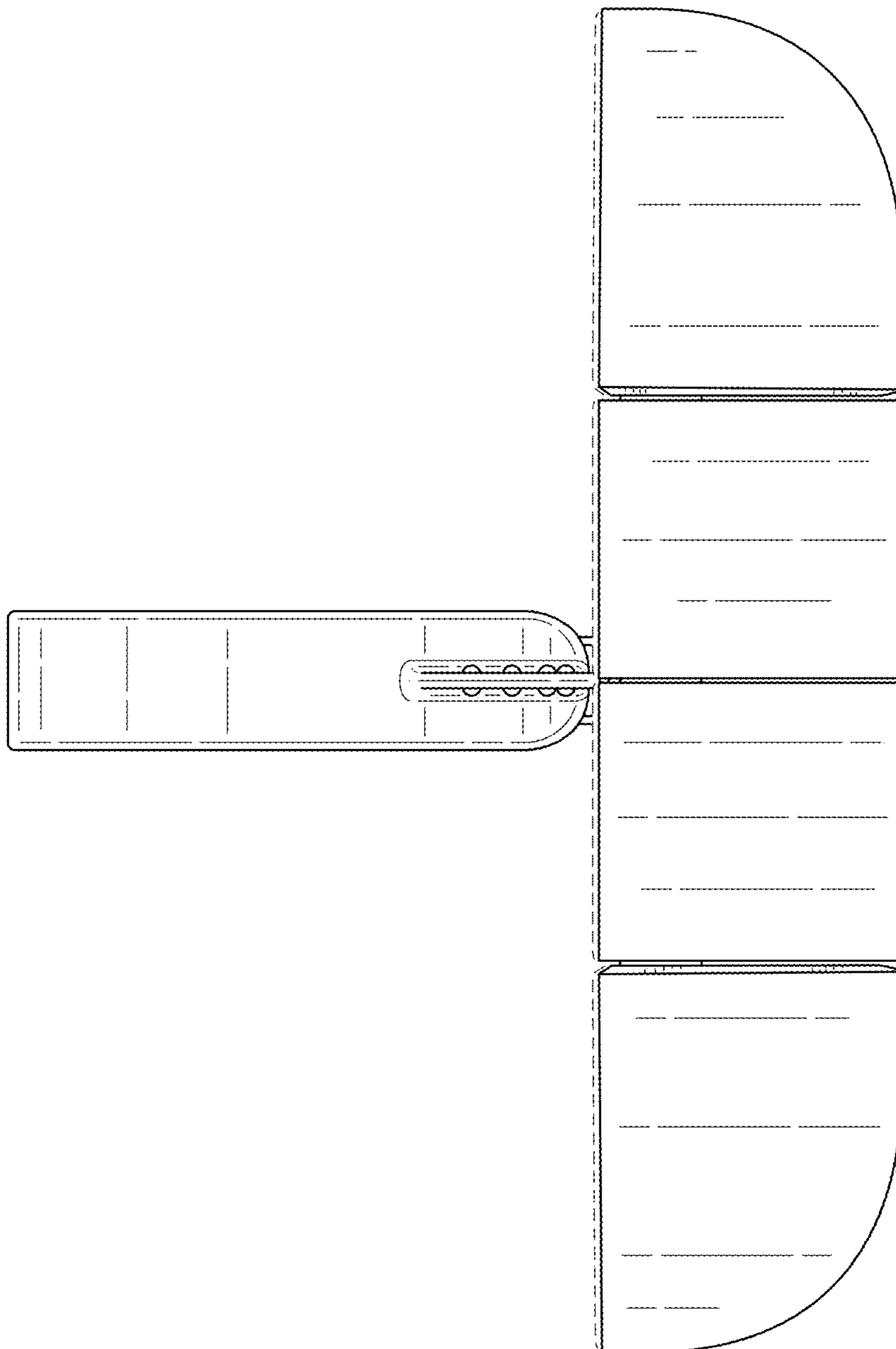


FIG.4

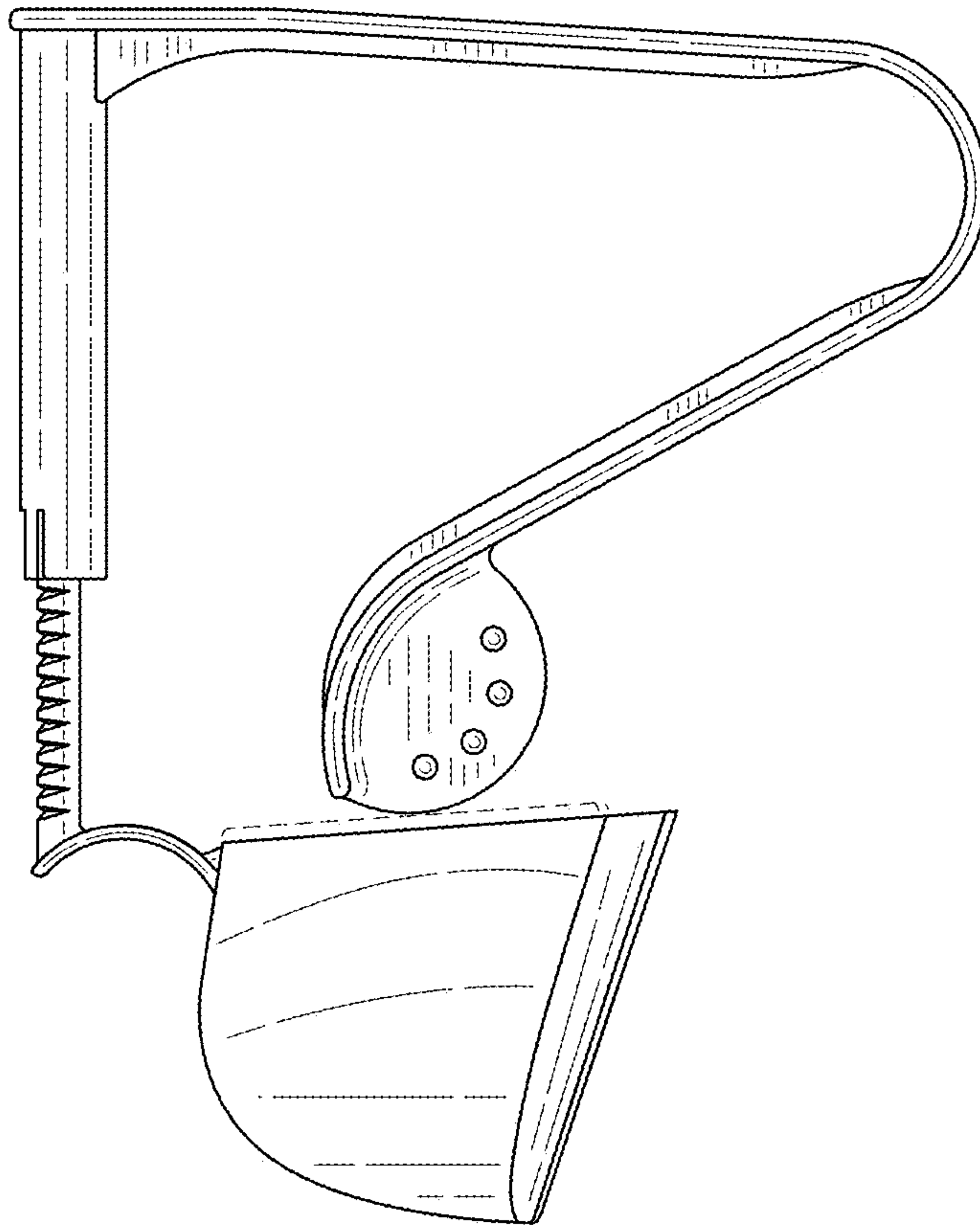


FIG.5

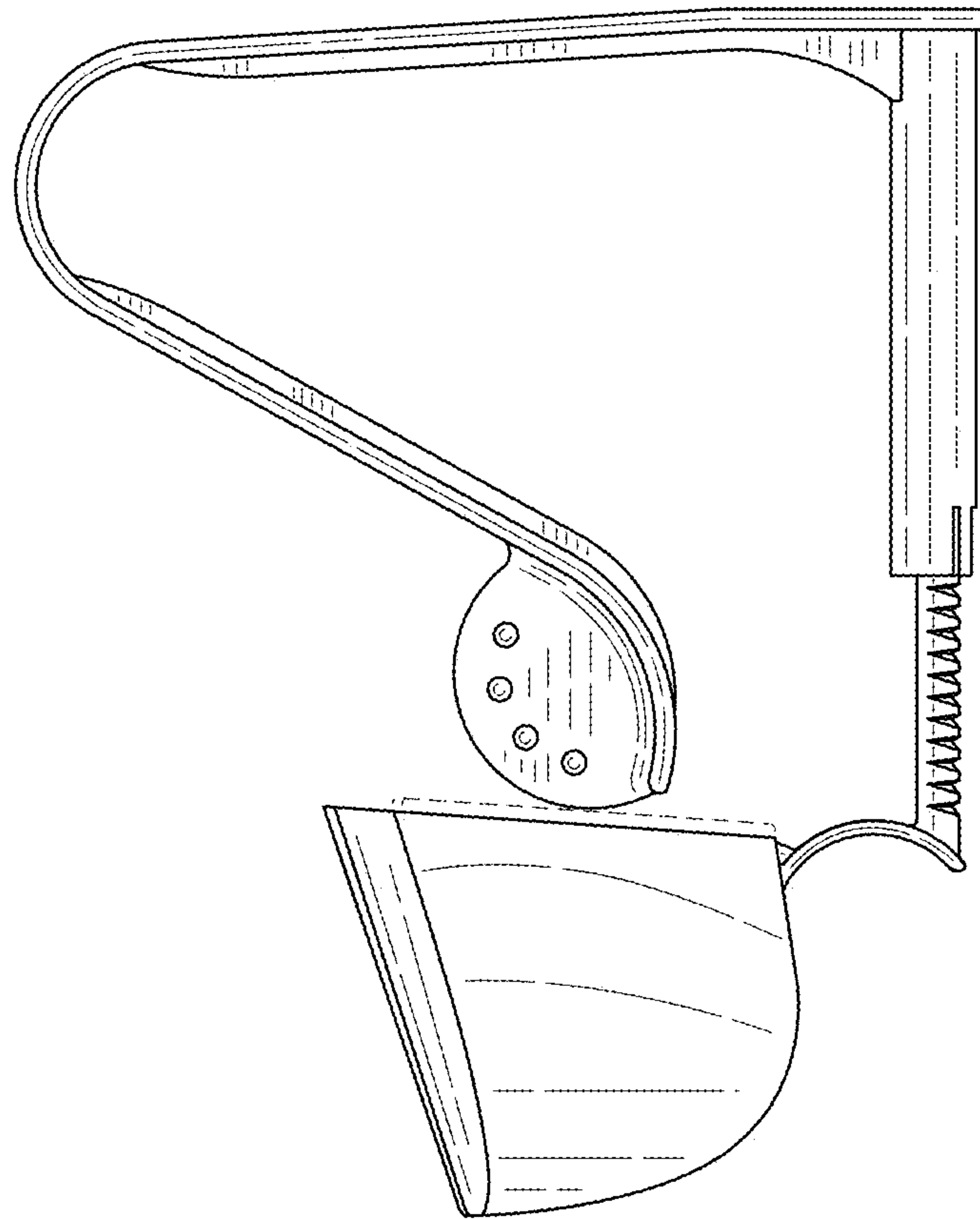


FIG.6

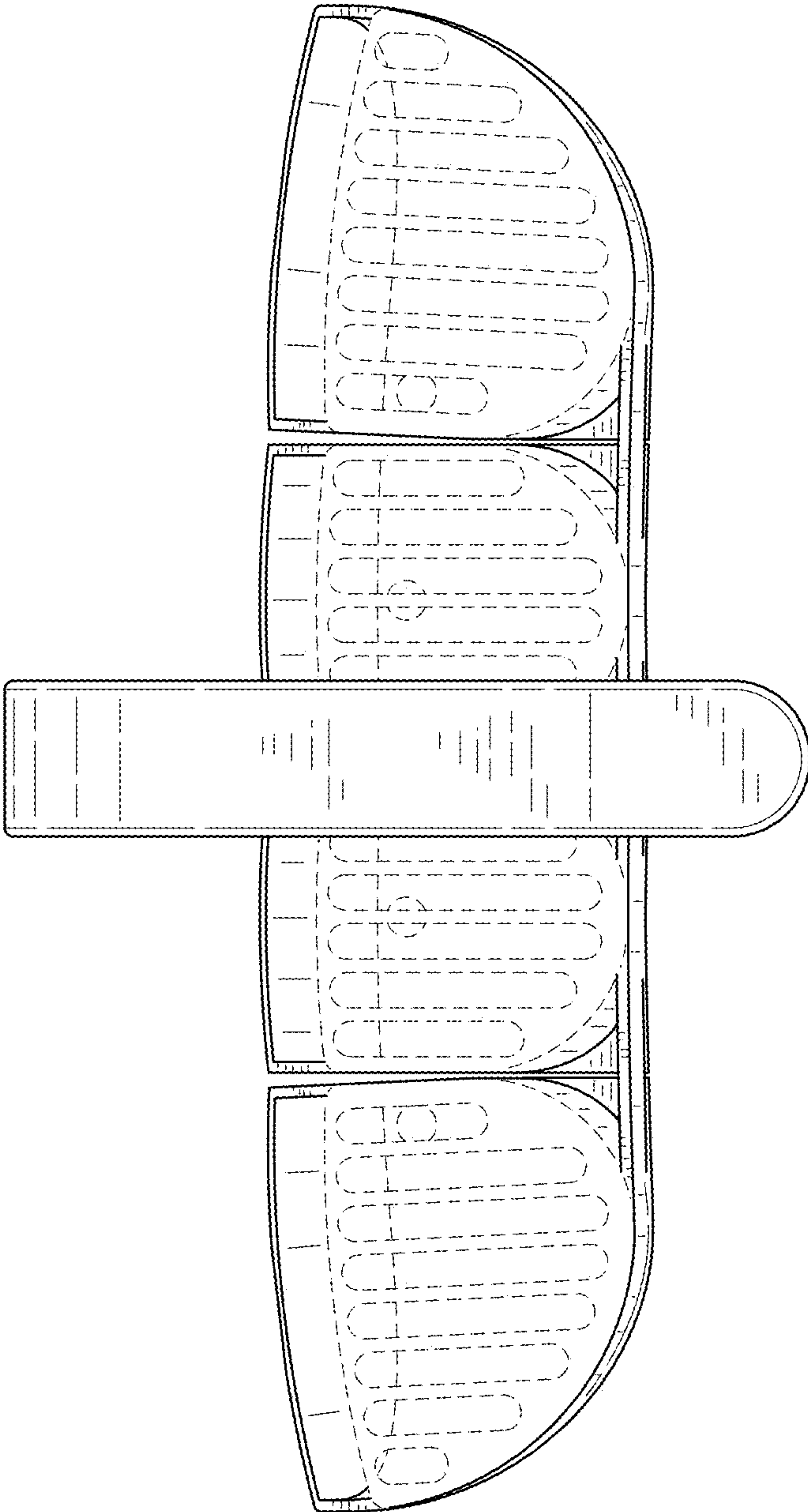


FIG.7

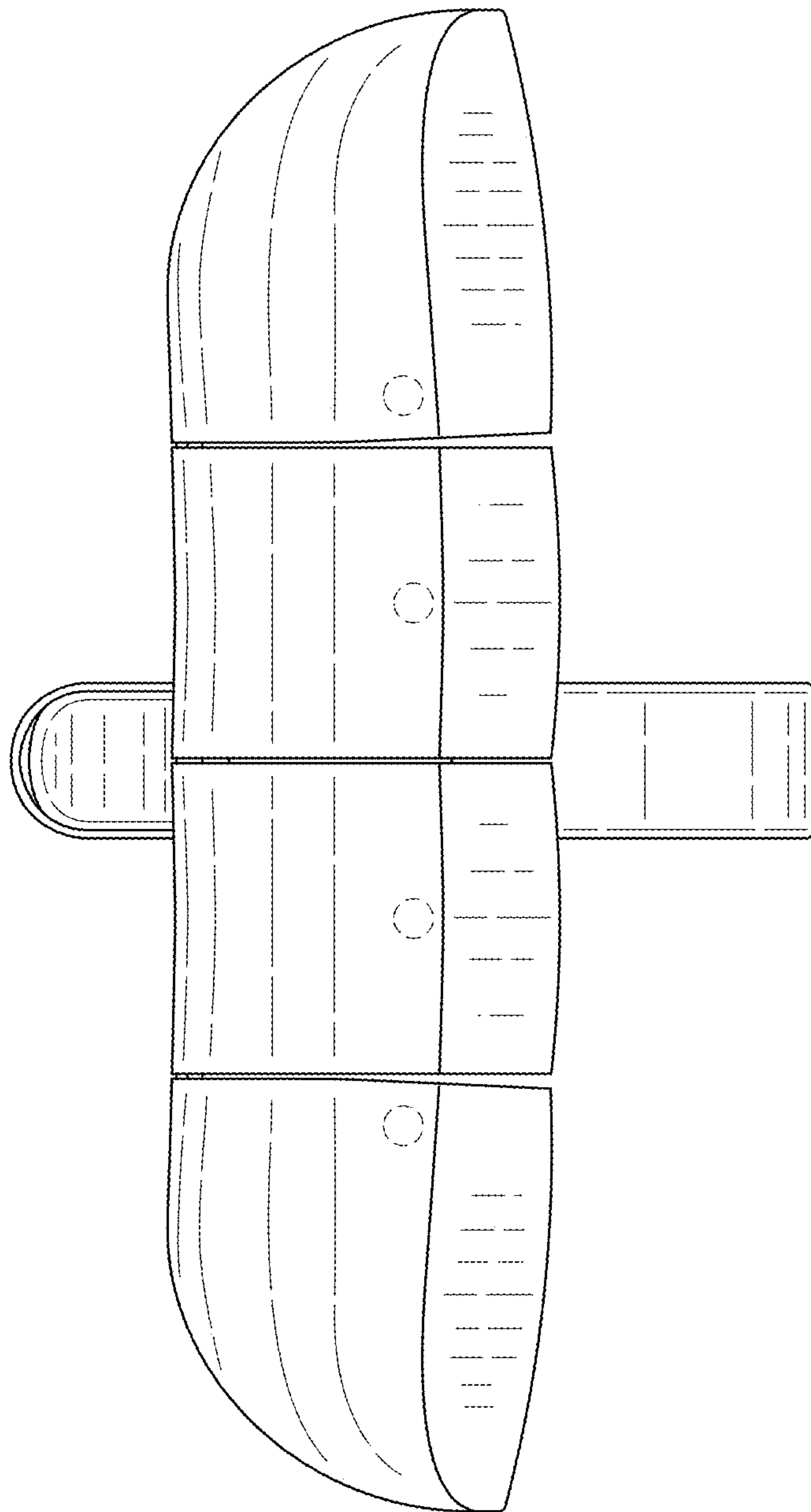


FIG.8

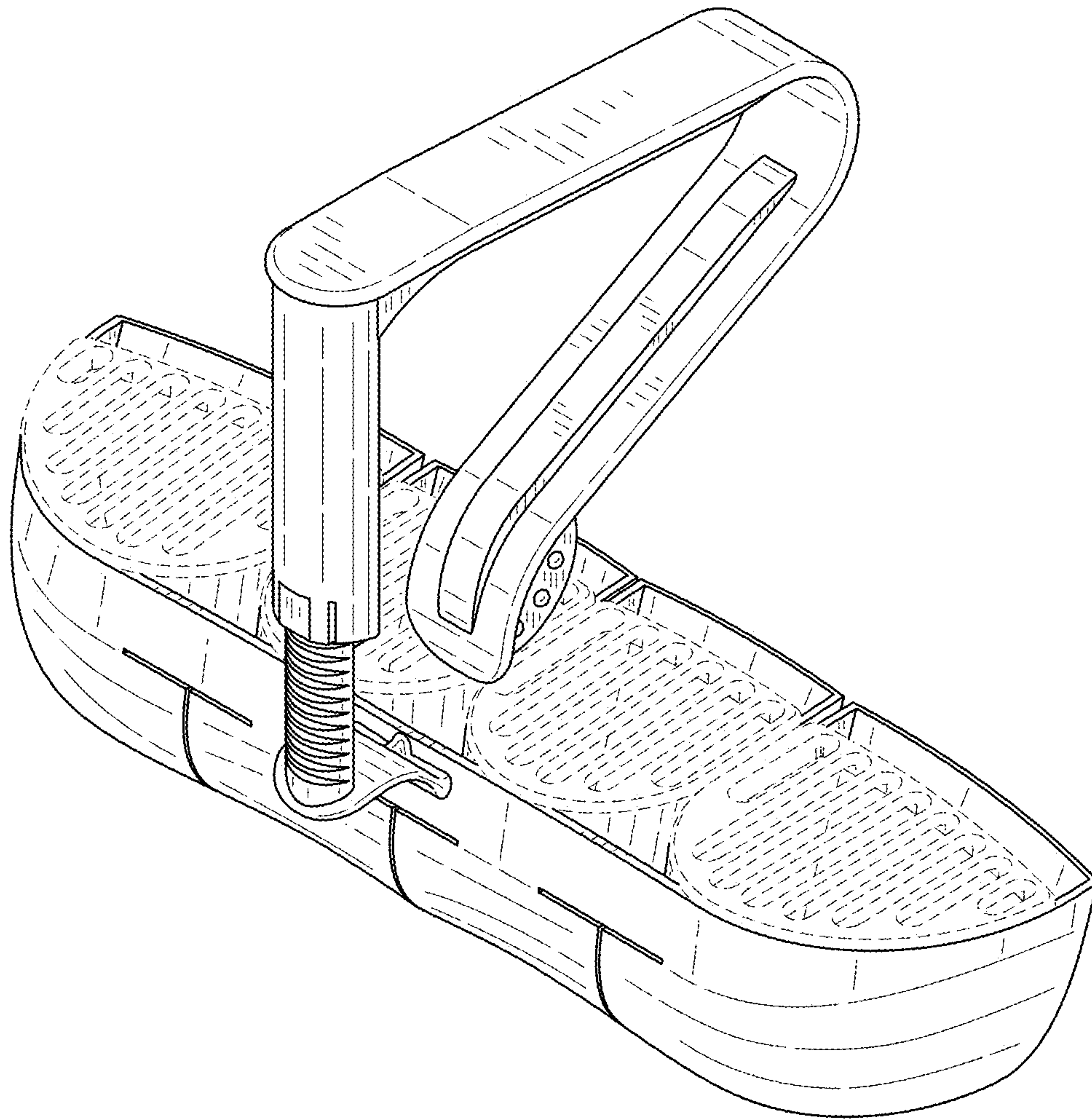


FIG.9

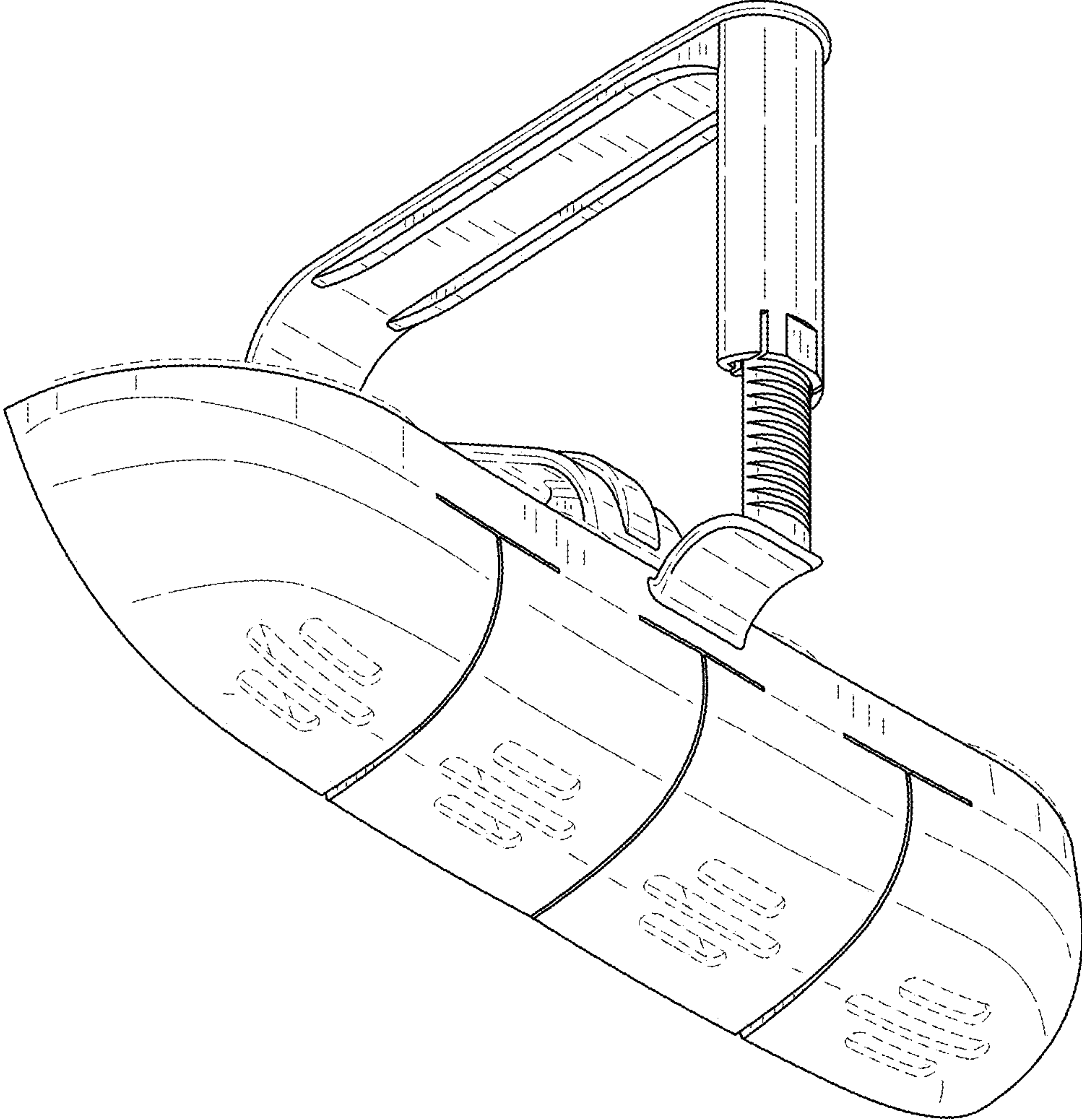


FIG.10

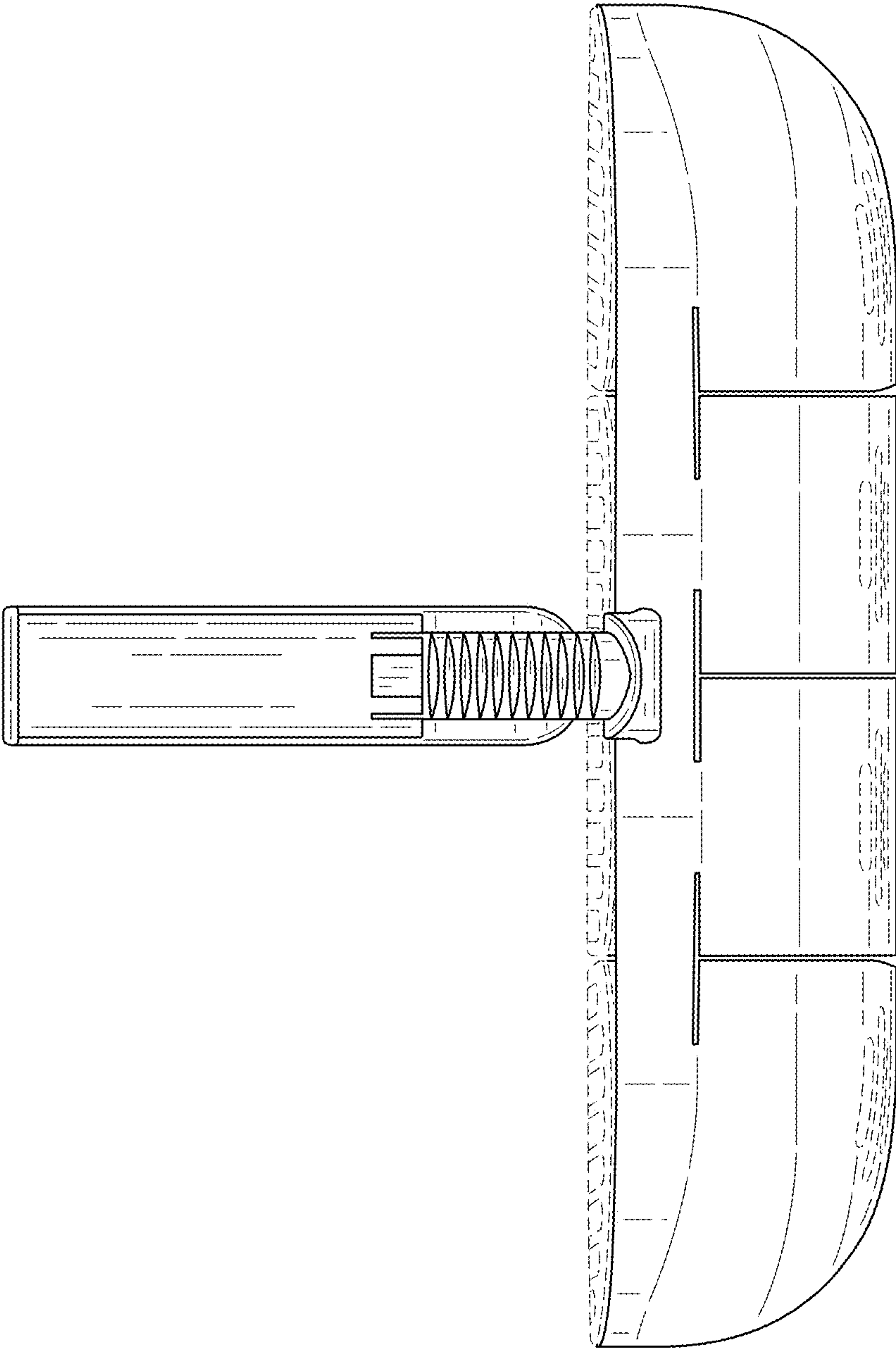


FIG.11

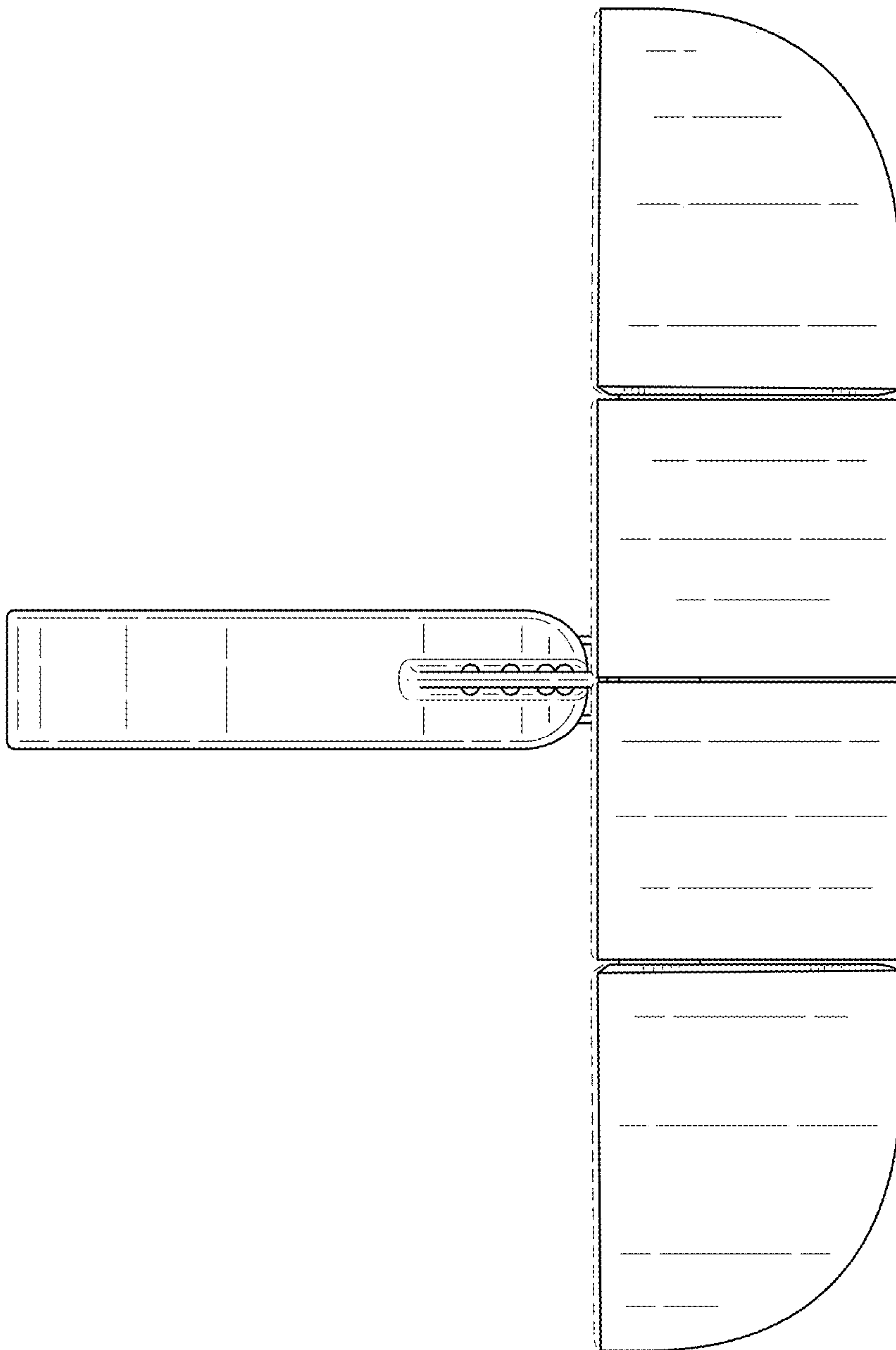


FIG.12

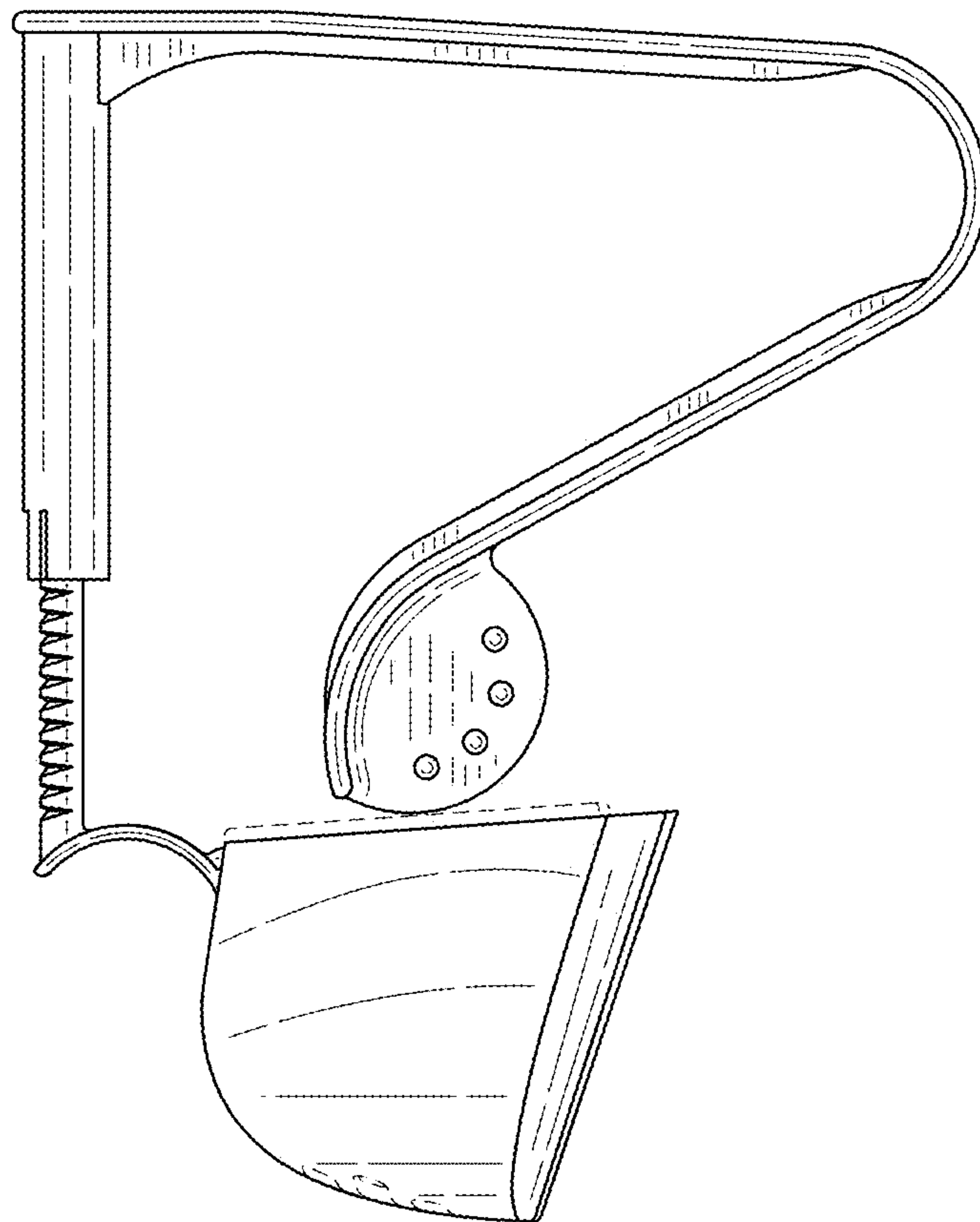


FIG.13

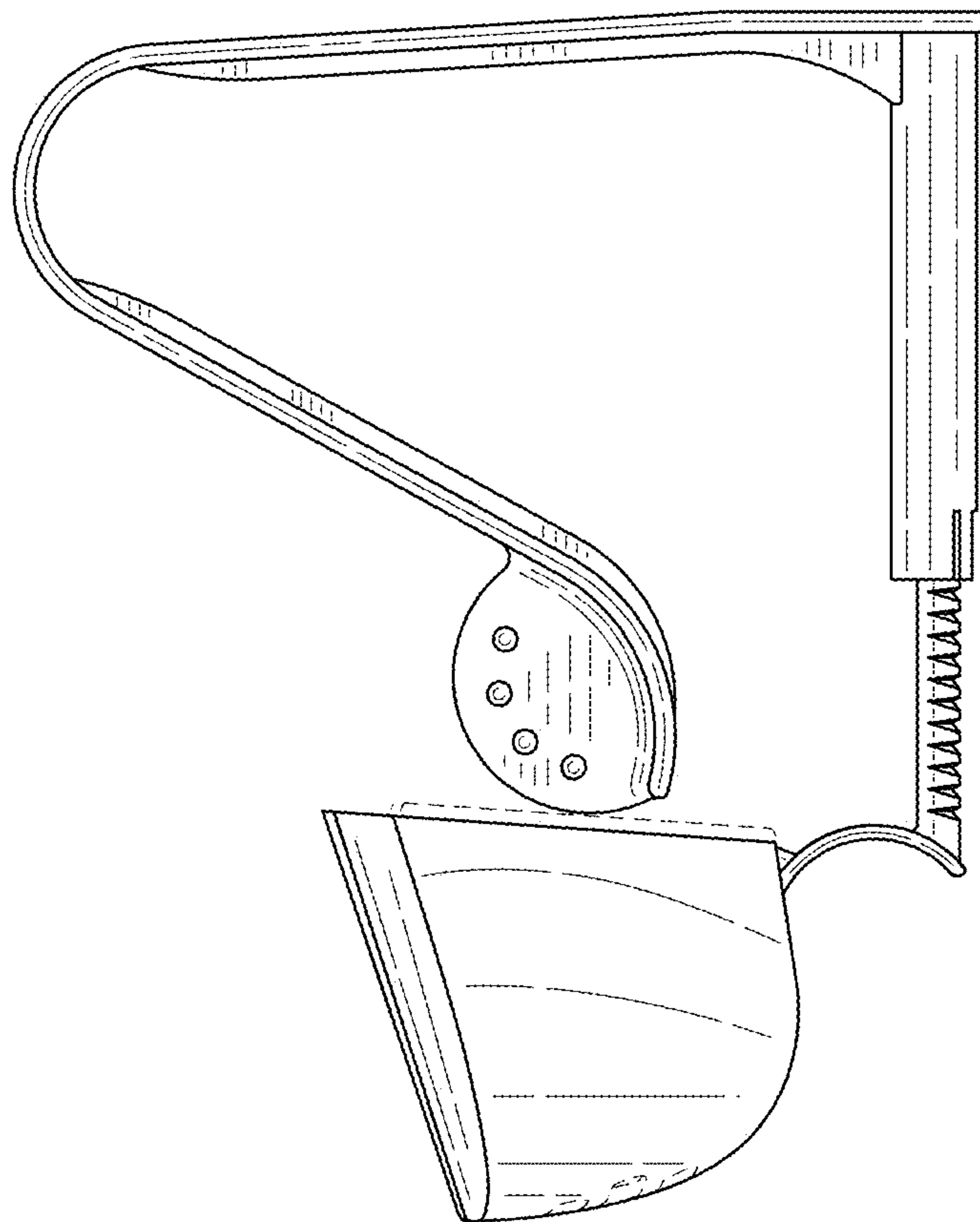


FIG.14

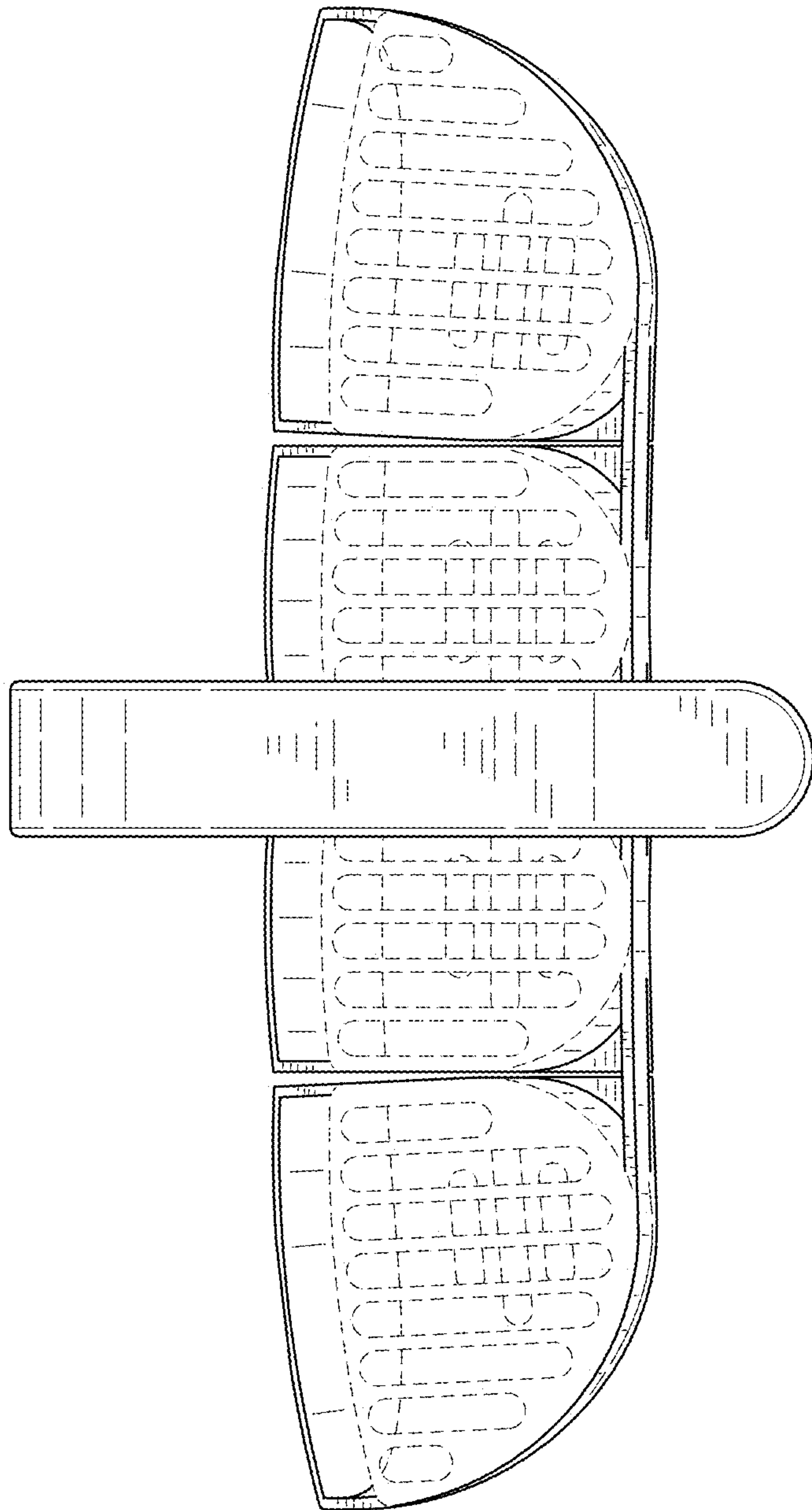


FIG.15

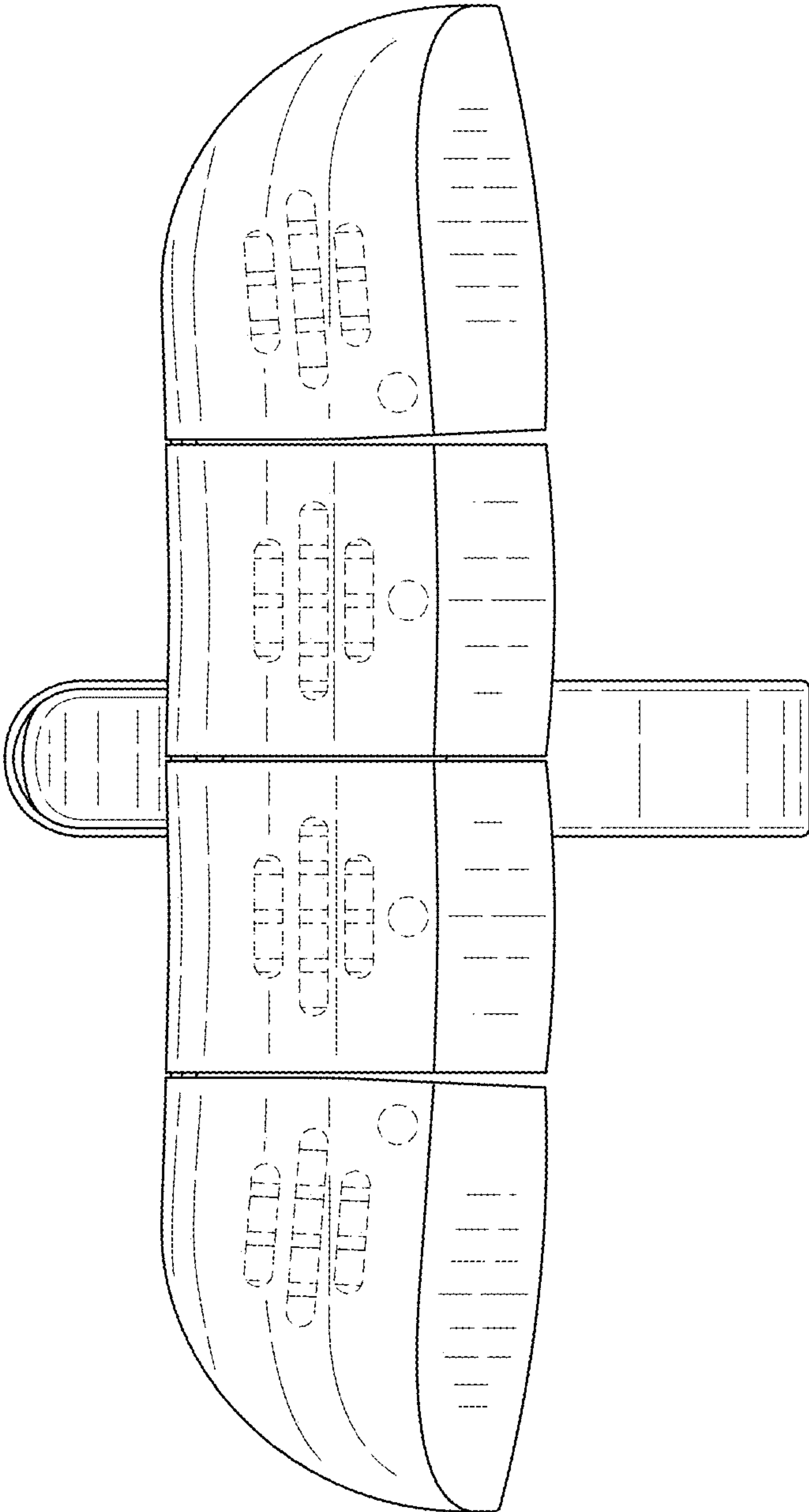


FIG.16