



US00D969959S

(12) **United States Design Patent** (10) **Patent No.:** **US D969,959 S**
Best (45) **Date of Patent:** **** Nov. 15, 2022**

(54) **TRAP FOR INSECTS**
(71) Applicant: **Rentokil Initial 1927 plc**, Surrey (GB)
(72) Inventor: **Michael Best**, Southampton (GB)
(**) Term: **15 Years**
(21) Appl. No.: **35/511,906**
(22) Filed: **Nov. 23, 2020**

2012/0174470 A1* 7/2012 Studer A01M 1/145
43/113
2013/0312314 A1* 11/2013 Greening A01M 1/14
43/114
2014/0026467 A1* 1/2014 Kaye A01M 1/145
43/113
2019/0075774 A1* 3/2019 Best A01M 1/106
2021/0352885 A1* 11/2021 Fish A01M 1/106
2021/0368763 A1* 12/2021 Fish A01M 1/14
2022/0192172 A1* 6/2022 Kaye A01M 1/04

(80) **Hague Agreement Data**
Int. Filing Date: **Nov. 23, 2020**
Int. Reg. No.: **DM/211523**
Int. Reg. Date: **Nov. 23, 2020**
Int. Reg. Pub. Date: **May 28, 2021**
(51) **LOC (13) Cl.** **22-06**
(52) **U.S. Cl.**
USPC **D22/123**
(58) **Field of Classification Search**
USPC D22/119, 122, 123, 124
CPC A01M 1/02; A01M 1/026; A01M 1/145;
A01M 23/005; A01M 2200/012
See application file for complete search history.

OTHER PUBLICATIONS

“Rentokil’s Radar super-mousetrap texts you when the pests are dead” [online]. N. Patel. [Published on Oct. 9, 2007]. Retrieved from the Internet: <<https://www.engadget.com/2007-10-08-rentokils-radar-super-mousetrap-texts-you-when-the-pests-are-de.html>>.*
“Kat Sense Rat Traps for House—Heavy Duty Covered Double No Escape Humane Rat Trap Delivers an Instant Kill—Easy to Use & No Touch Rodent Release” [online]. Kat Sense. [Retrieved on Jun. 13, 2022]. Retrieved from the Internet: <<https://www.amazon.com/dp/B09QDZMC58/>>.*
“Rentokill Insect Traps” [online]. Rentokill. [Retrieved on Aug. 26, 2022]. Retrieved from the Internet: <<https://www.rentokil.com/th/en/flies/how-to-get-rid-flies/insect-light-trap/>>.*

* cited by examiner

Primary Examiner — Mojtaba Tehrani

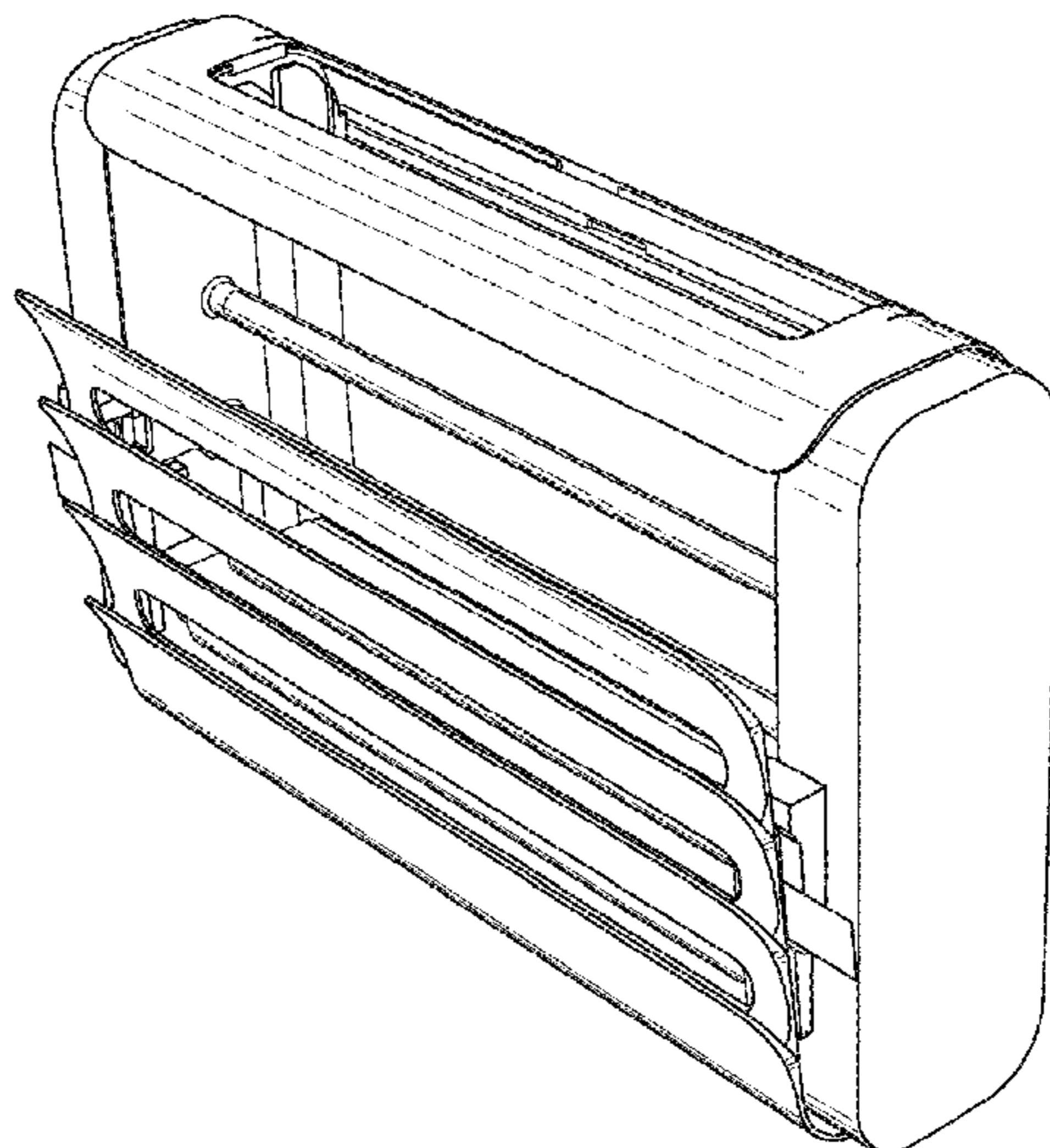
(56) **References Cited**
U.S. PATENT DOCUMENTS
4,044,494 A * 8/1977 Grajnert A01M 1/106
43/119
D265,416 S * 7/1982 Jackson D22/122
4,959,923 A * 10/1990 Aiello A01M 1/223
43/112
D325,954 S * 5/1992 Lazzeroni, Sr. D22/123
D340,501 S * 10/1993 Mattesky D22/122
D443,913 S * 6/2001 Aiello D22/123
D597,166 S * 7/2009 Hong D22/122
D742,994 S * 11/2015 Mackay D22/122
D825,024 S * 8/2018 Wingett D22/123
D912,196 S * 3/2021 Thorpe D22/122
D943,704 S * 2/2022 Feng D22/123
D946,689 S * 3/2022 Williams D22/122
11,399,529 B2* 8/2022 Willcox F21V 23/06

(57) **CLAIM**
The ornamental design for a trap for insects, as shown and described.

DESCRIPTION

1. Trap for insects
FIG. 1.1 is a perspective view of a trap for insects;
FIG. 1.2 is a front view thereof;
FIG. 1.3 is a rear view thereof;
FIG. 1.4 is a top view thereof;
FIG. 1.5 is a bottom view thereof;
FIG. 1.6 is a left side view thereof; and
FIG. 1.7 is a right side view thereof.

1 Claim, 7 Drawing Sheets



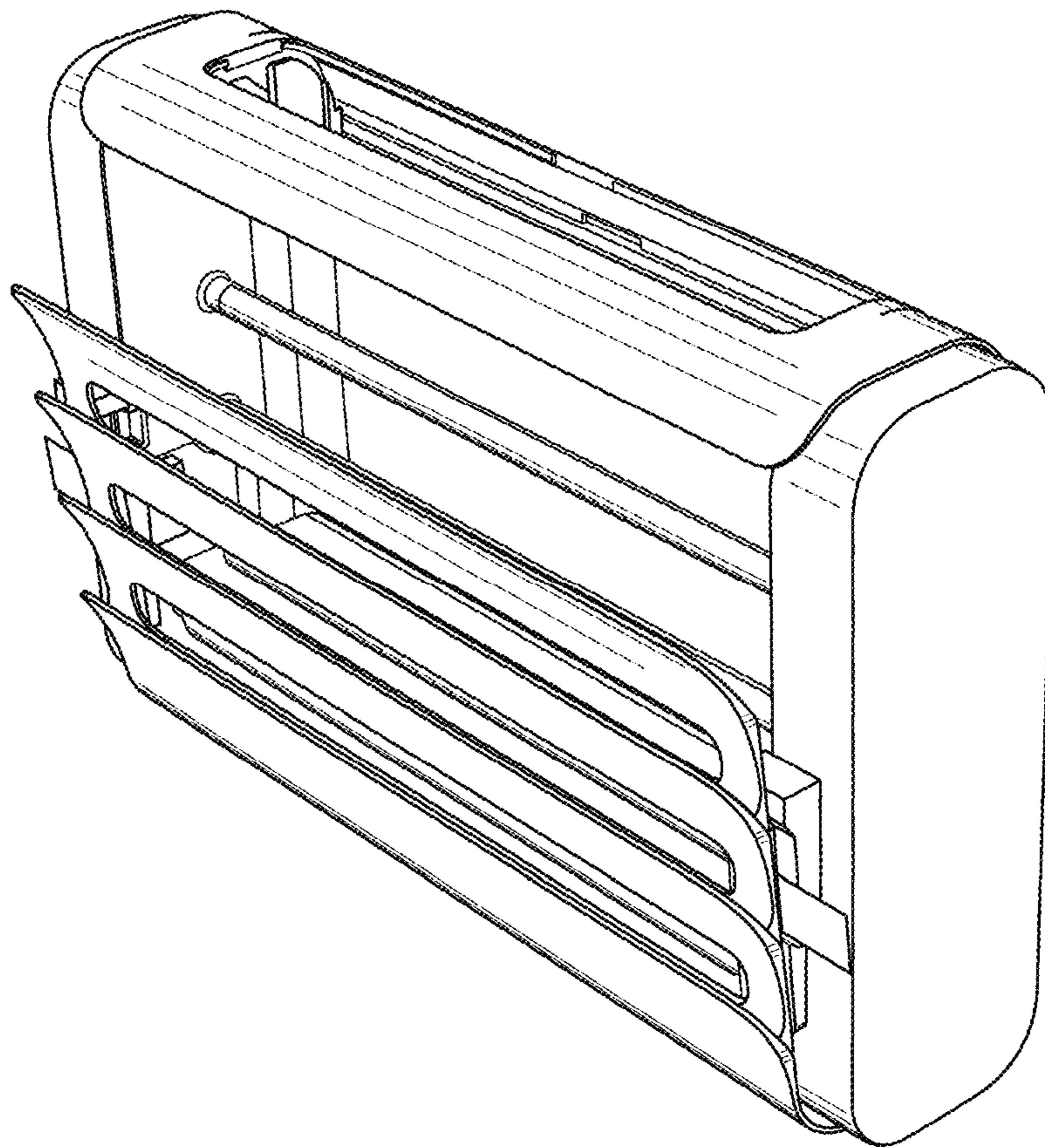


FIG. 1.1

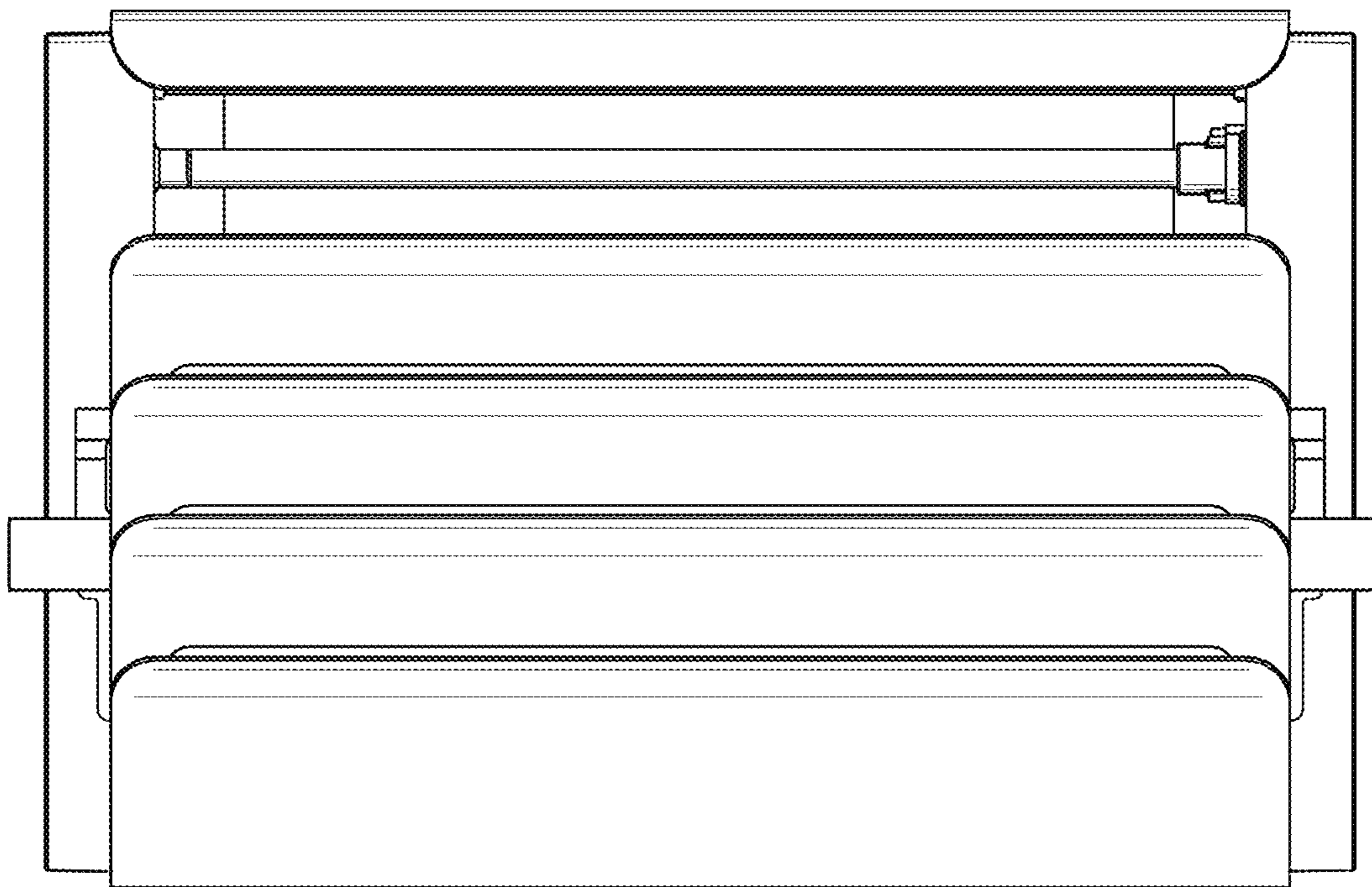


FIG. 1.2

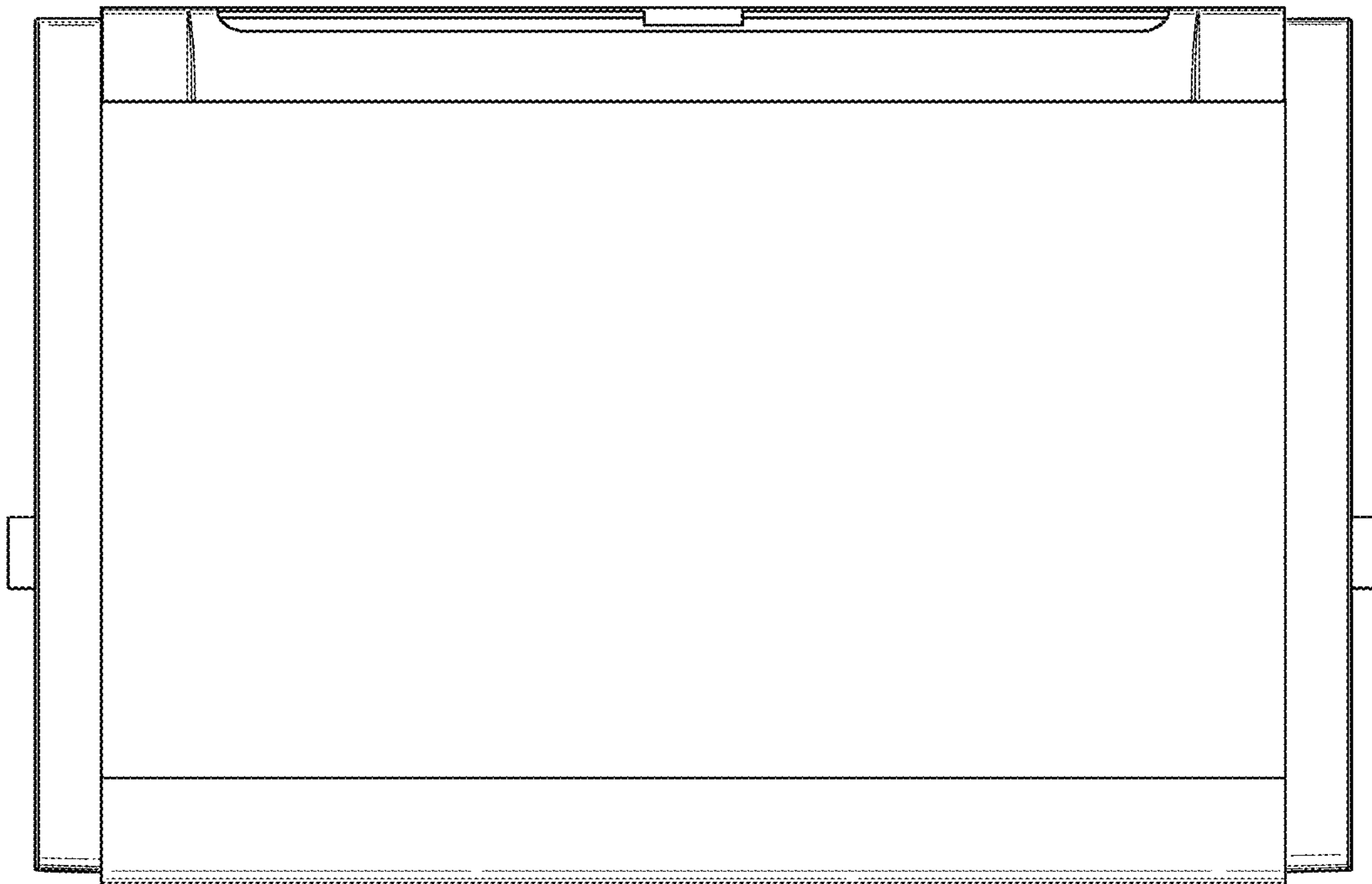


FIG. 1.3

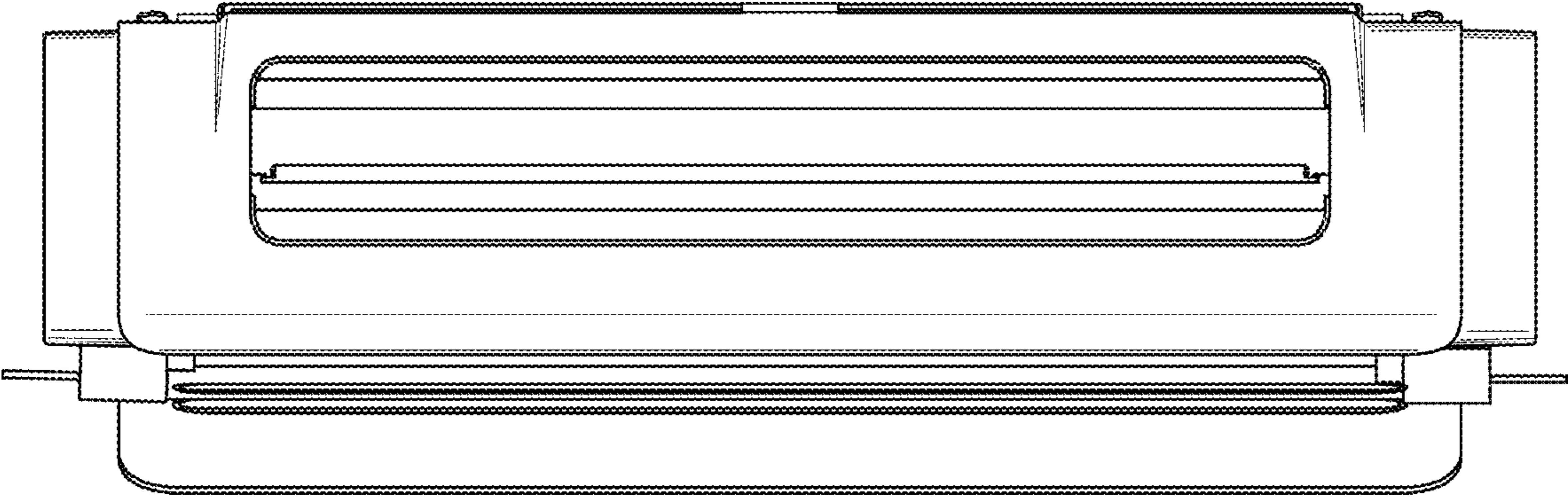


FIG. 1.4

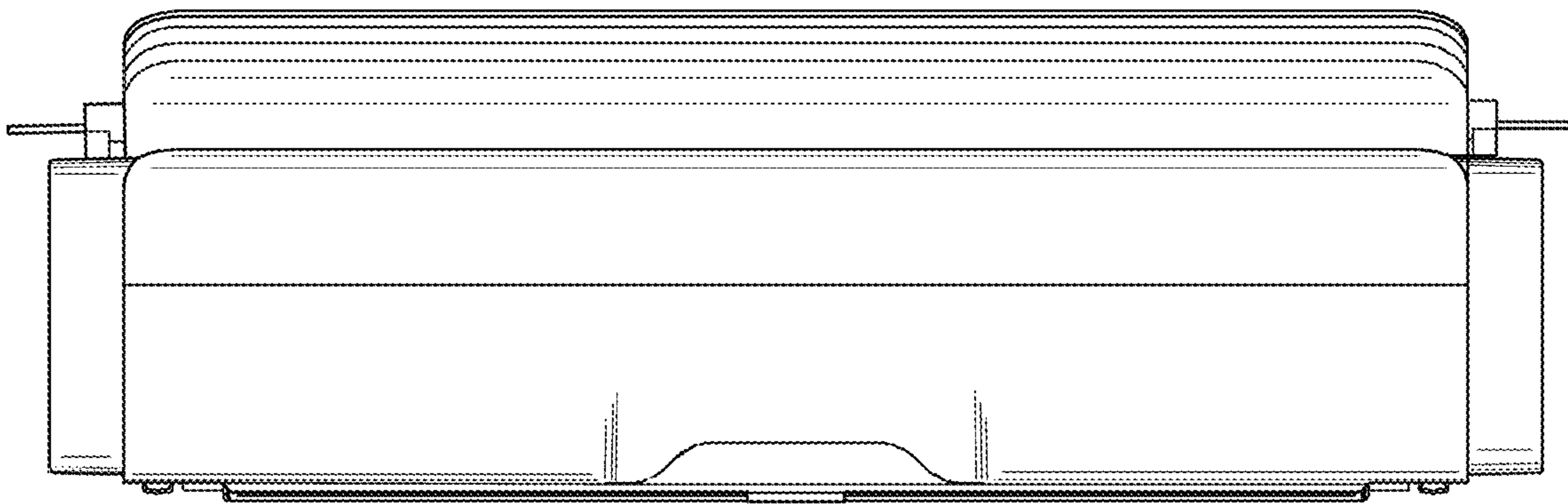


FIG. 1.5

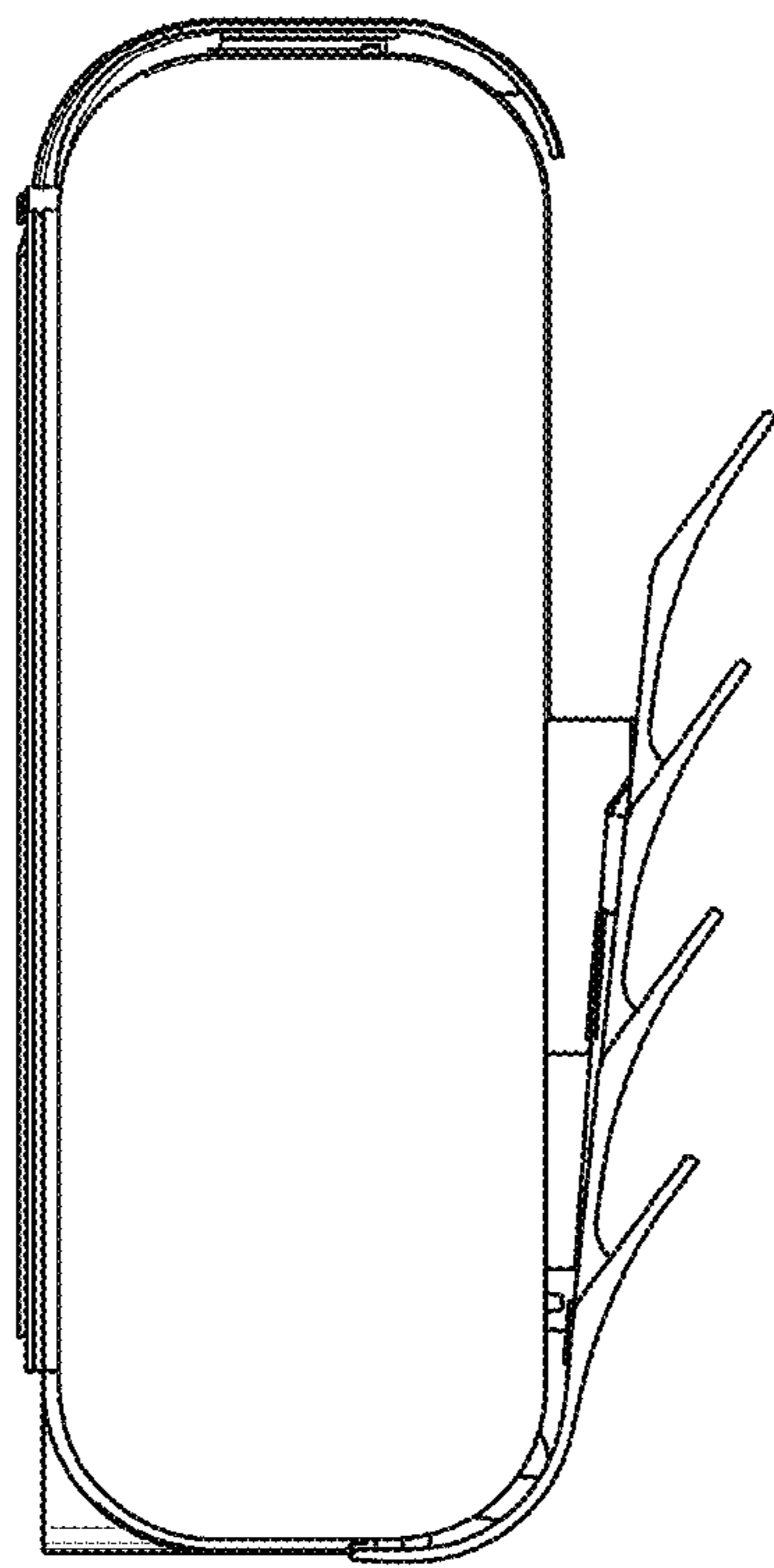


FIG. 1.6

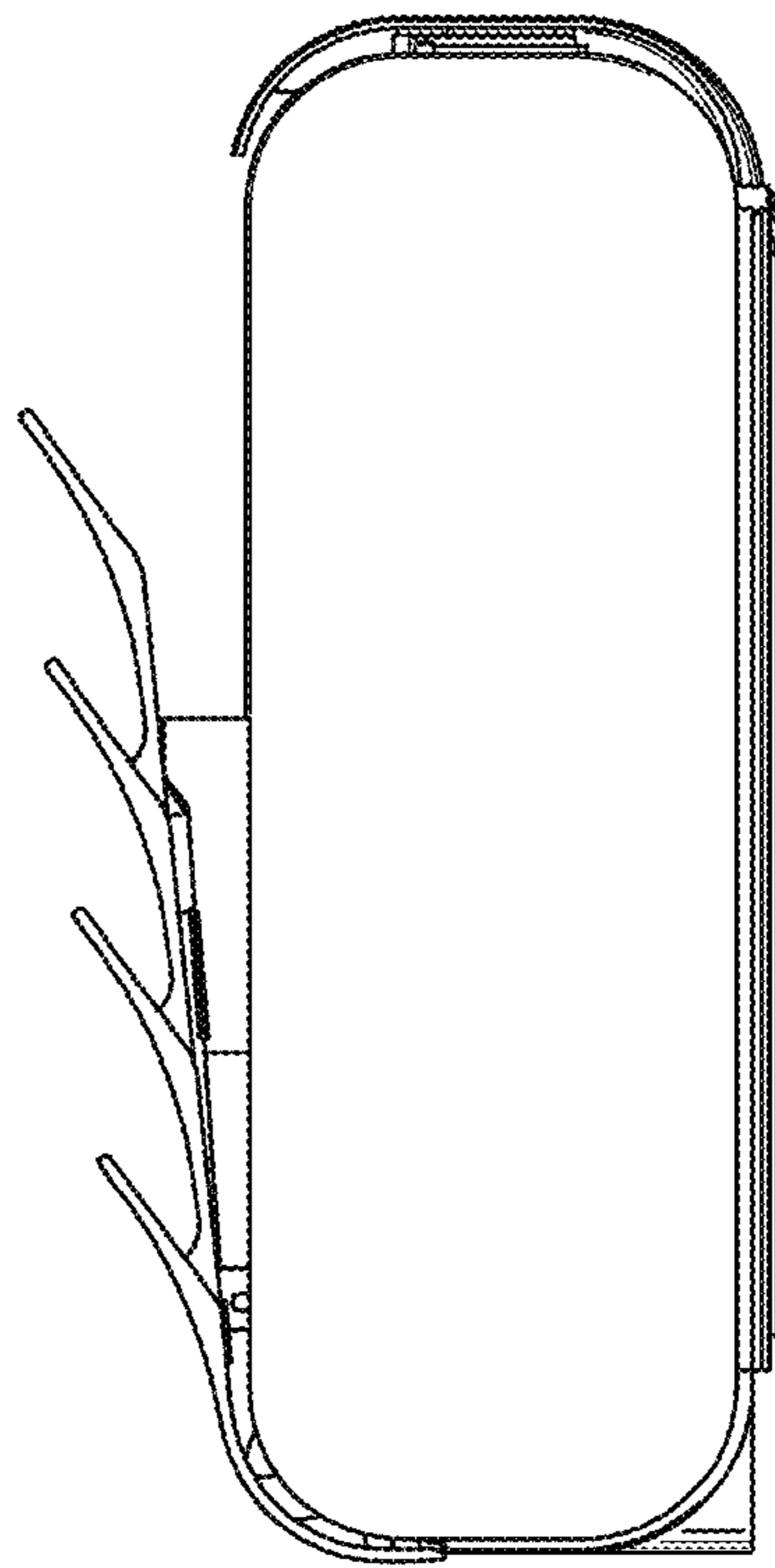


FIG. 1.7