

US00D969958S

(12) **United States Design Patent** (10) **Patent No.:** **US D969,958 S**
Hamilton et al. (45) **Date of Patent:** **** Nov. 15, 2022**

(54) **FLIP MOUNT**
 (71) Applicants: **Sheltered Wings, Inc.**, Barneveld, WI (US); **OptiFlow, Inc.**, Ann Arbor, MI (US)
 (72) Inventors: **David M. Hamilton**, Barneveld, WI (US); **Michael Rosen**, Barneveld, WI (US); **Fred Collin**, Ann Arbor, MI (US)

D737,399 S * 8/2015 Cheng D22/109
 9,395,158 B2 * 7/2016 Collin F41G 11/003
 D860,374 S * 9/2019 Smith D22/109
 D878,510 S * 3/2020 Chavez D22/109
 2007/0113462 A1 * 5/2007 Ho F41G 11/003
 42/146
 2011/0296731 A1 * 12/2011 Carlson F41G 11/001
 42/90
 2018/0259298 A1 * 9/2018 Gao F16B 2/185

(73) Assignees: **SHELTERED WINGS, INC.**, Barneveld, WI (US); **OPTIFLOW, INC.**, Ann Arbor, MI (US)

FOREIGN PATENT DOCUMENTS

CA 189499 * 11/2020

* cited by examiner

(**) Term: **15 Years**

Primary Examiner — S. Bryan Reinholdt, Jr.

(21) Appl. No.: **29/677,130**

(74) *Attorney, Agent, or Firm* — Husch Blackwell LLP

(22) Filed: **Jan. 17, 2019**

(51) **LOC (13) Cl.** **22-01**

(52) **U.S. Cl.**
USPC **D22/109**

(58) **Field of Classification Search**
USPC D22/108, 109, 110, 199; D21/572–575
CPC F41G 11/003; F41G 1/17; F16B 2/12
See application file for complete search history.

(57) **CLAIM**

The ornamental design for a flip mount, as shown and described.

(56) **References Cited**

DESCRIPTION

U.S. PATENT DOCUMENTS

5,471,678 A * 12/1995 Dor G02B 23/125
 2/6.7
 D637,260 S * 5/2011 Swan D22/109
 8,438,965 B2 * 5/2013 Collin F41G 11/003
 89/125
 D697,576 S * 1/2014 Swan D22/109
 8,935,875 B2 * 1/2015 Collin F41G 11/003
 42/90

FIG. 1 is an isometric view of a flip mount showing the new design;
 FIG. 2 is a front elevation view thereof;
 FIG. 3 is a rear elevation view thereof;
 FIG. 4 is a left elevation view thereof;
 FIG. 5 is a right elevation view thereof;
 FIG. 6 is a top plan view thereof; and,
 FIG. 7 is a bottom plan view thereof.
 The broken lines depict portions of the flip mount that form no part of the claimed design.

1 Claim, 4 Drawing Sheets

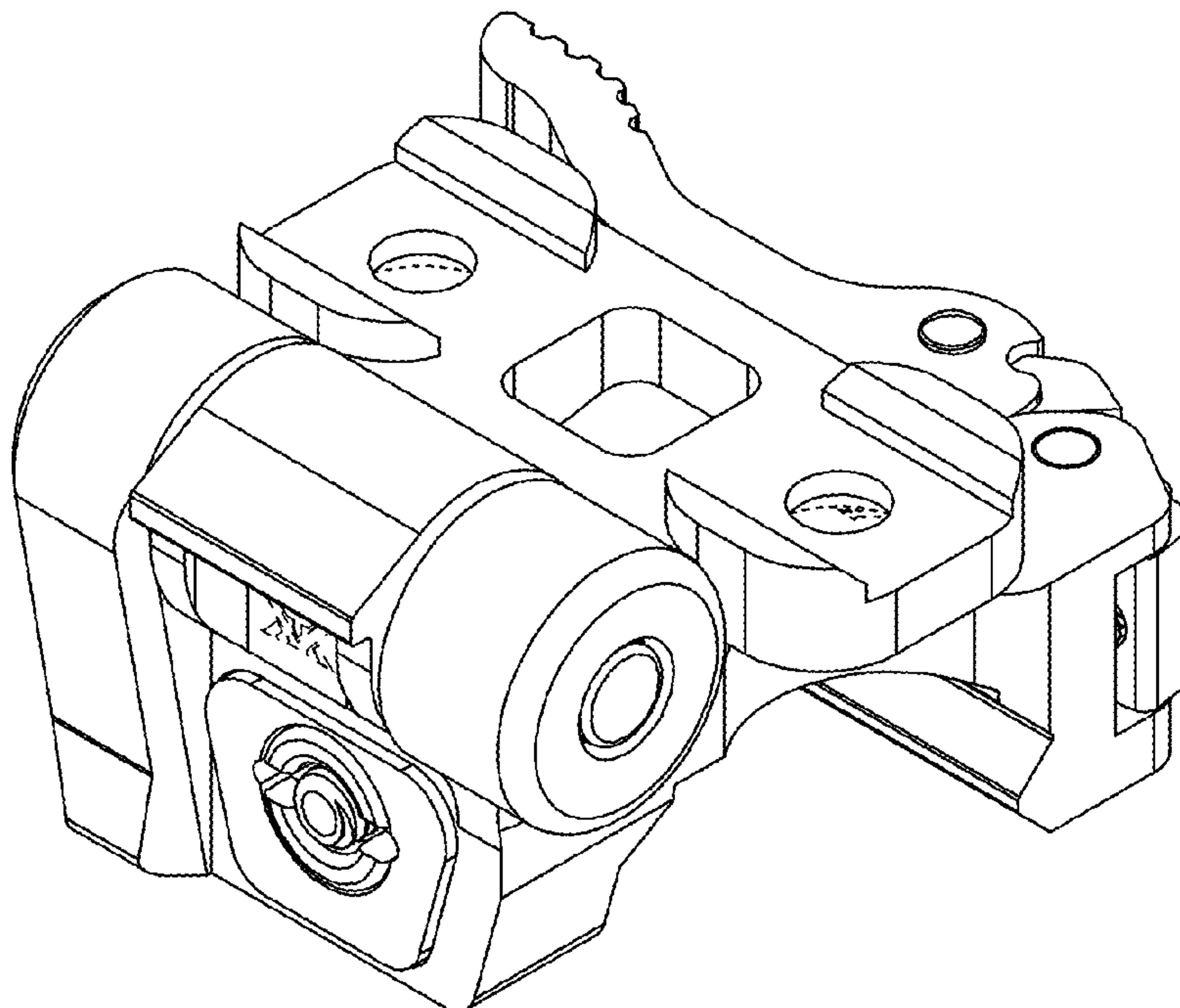


FIG. 1

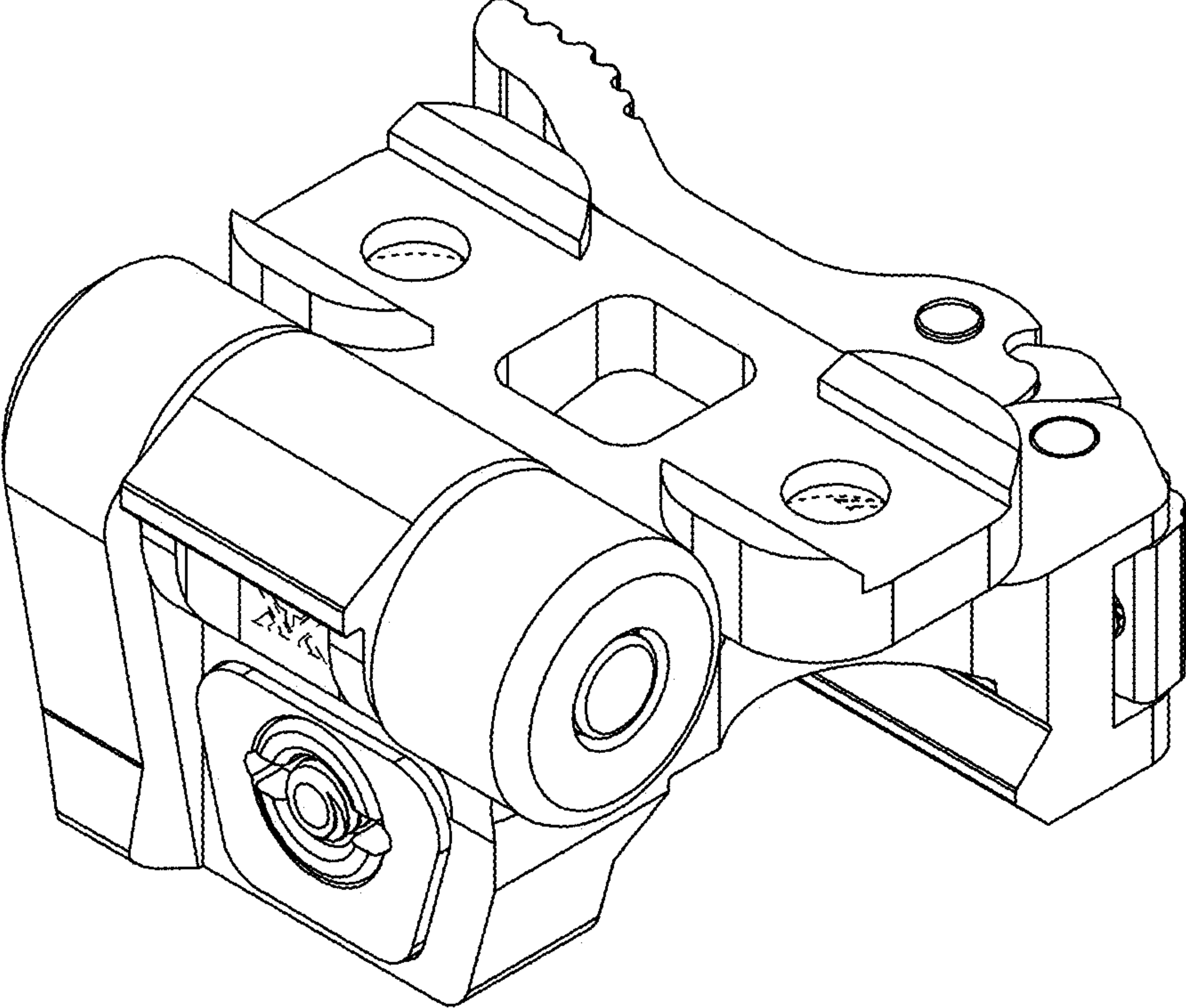


FIG. 2

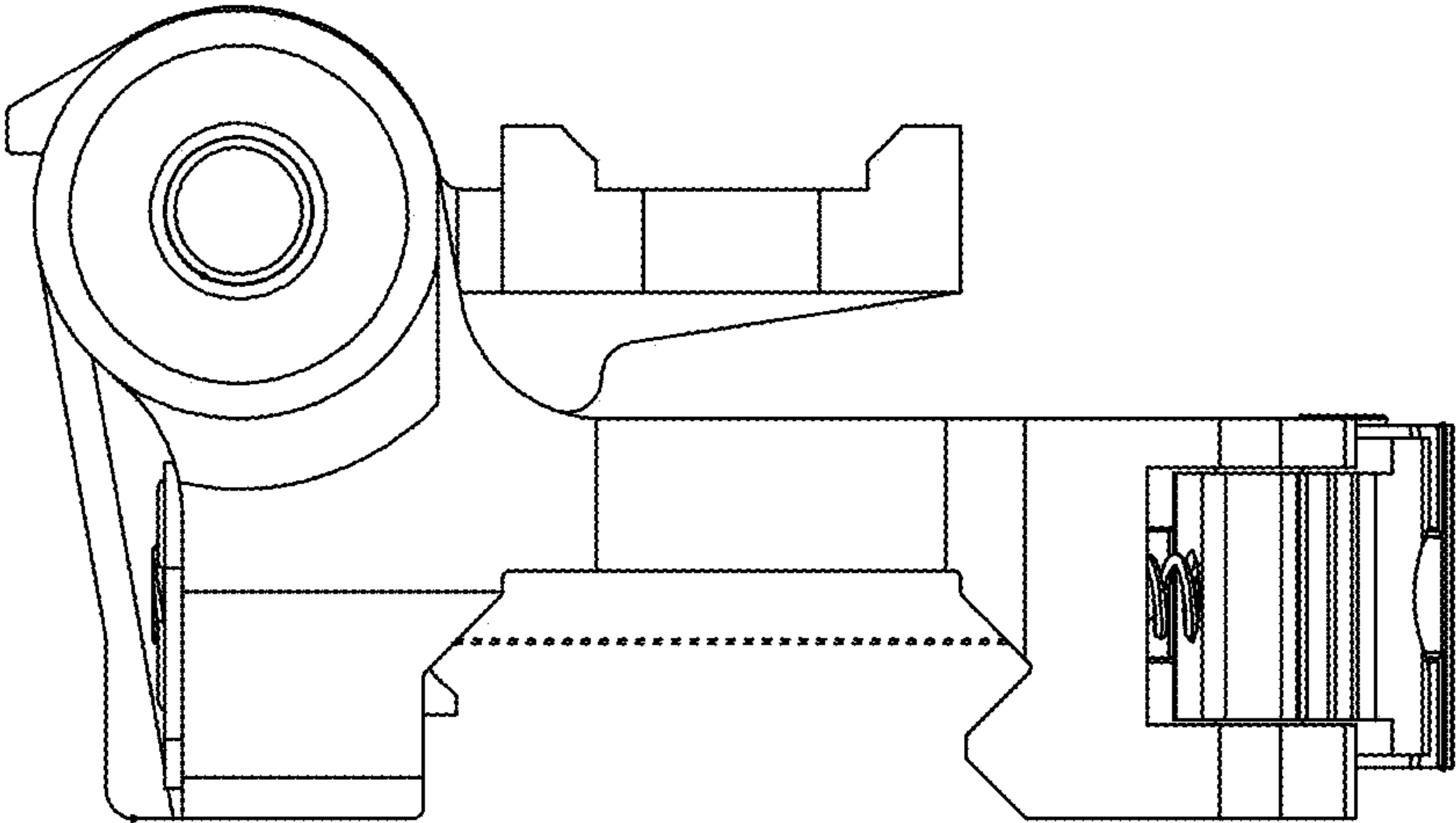


FIG. 3

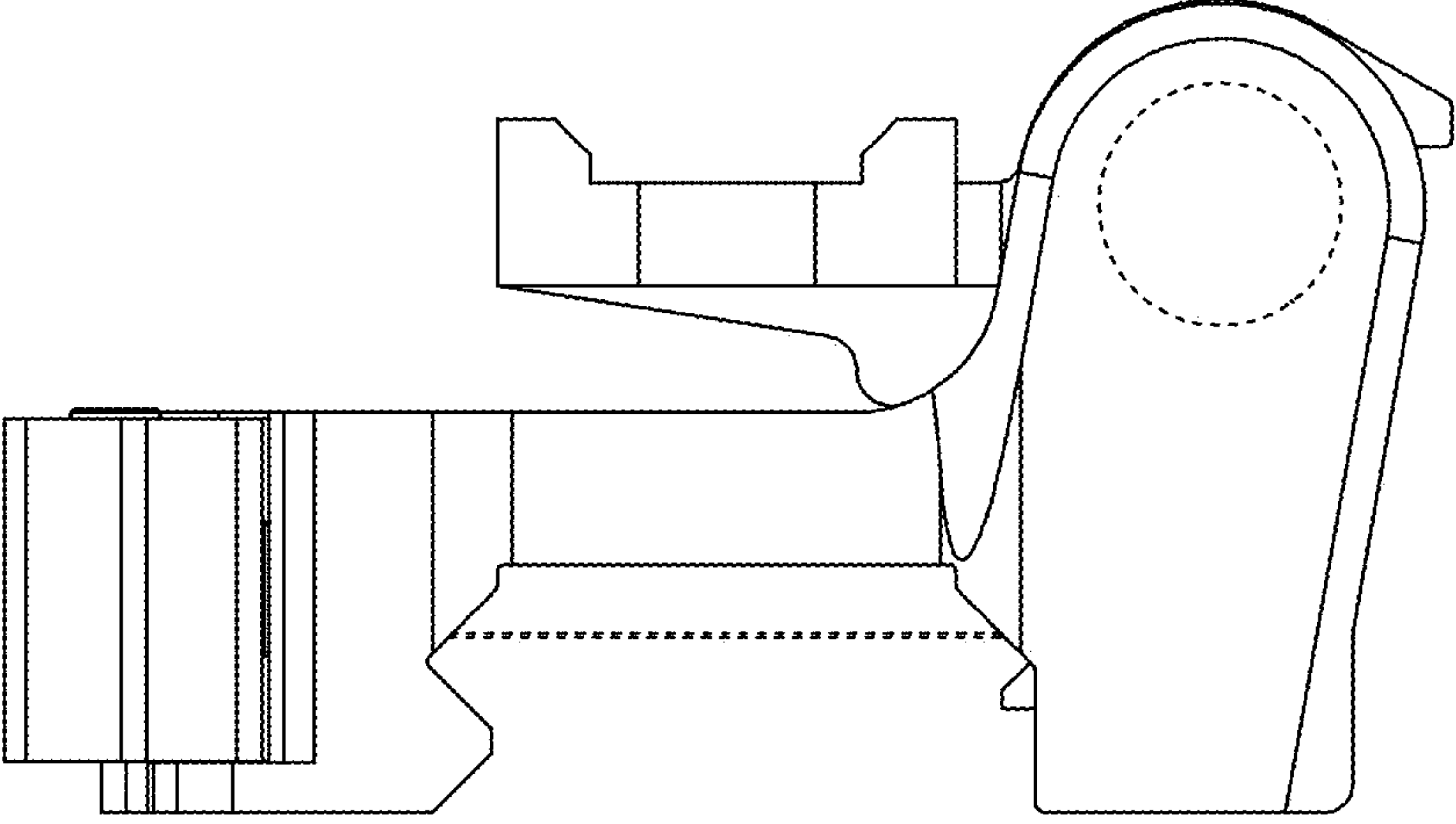


FIG. 4

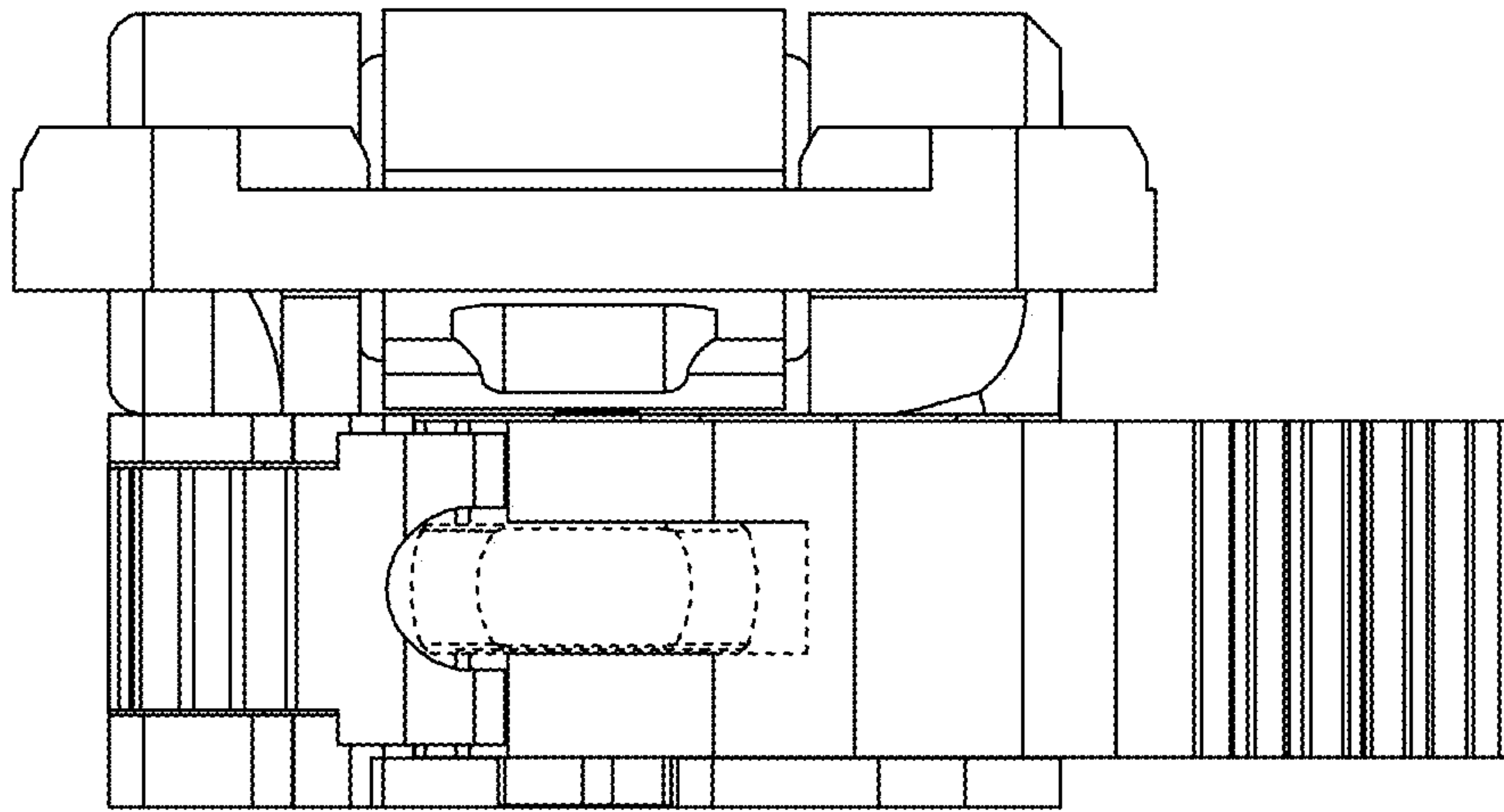


FIG. 5

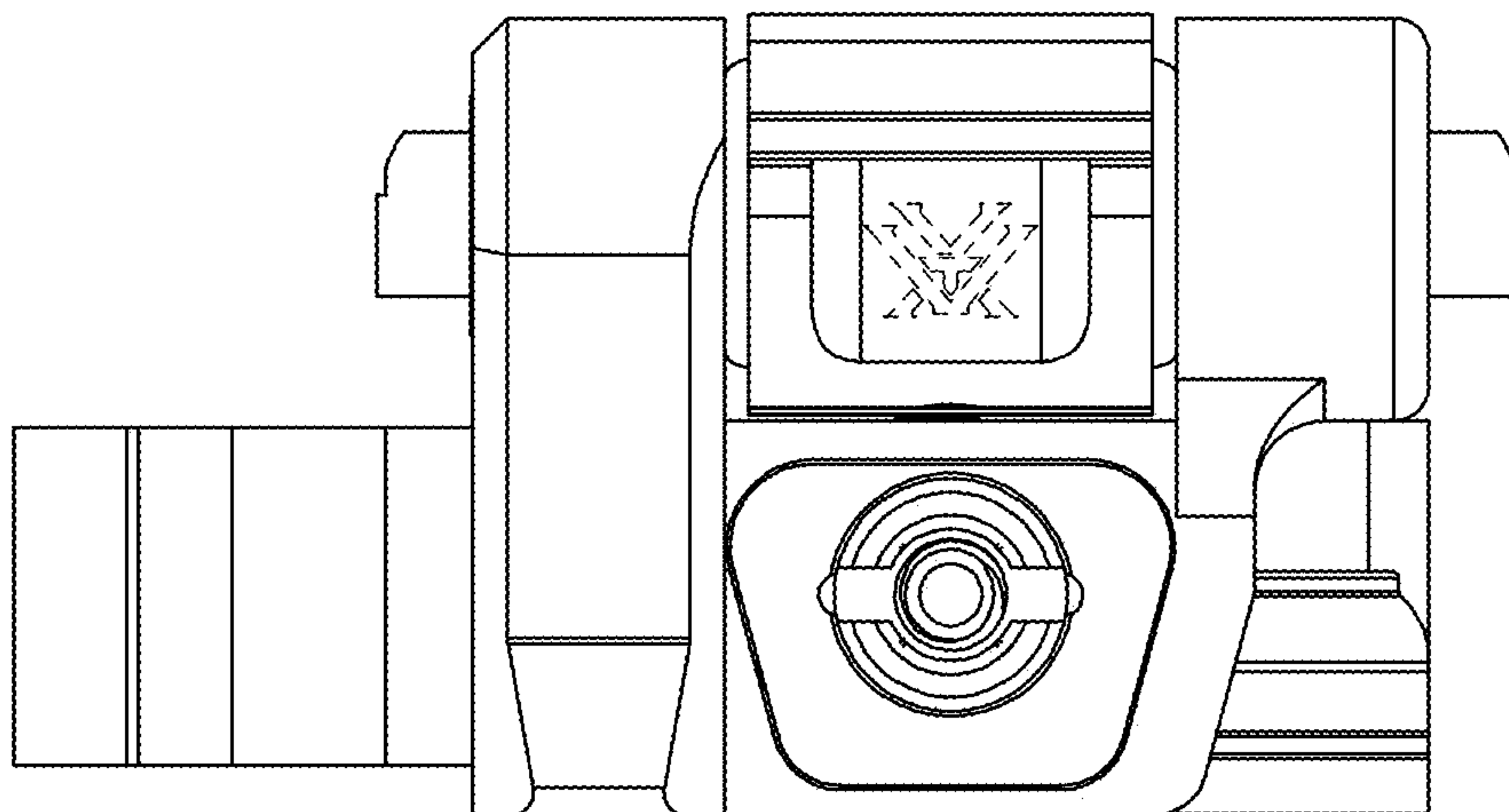


FIG. 6

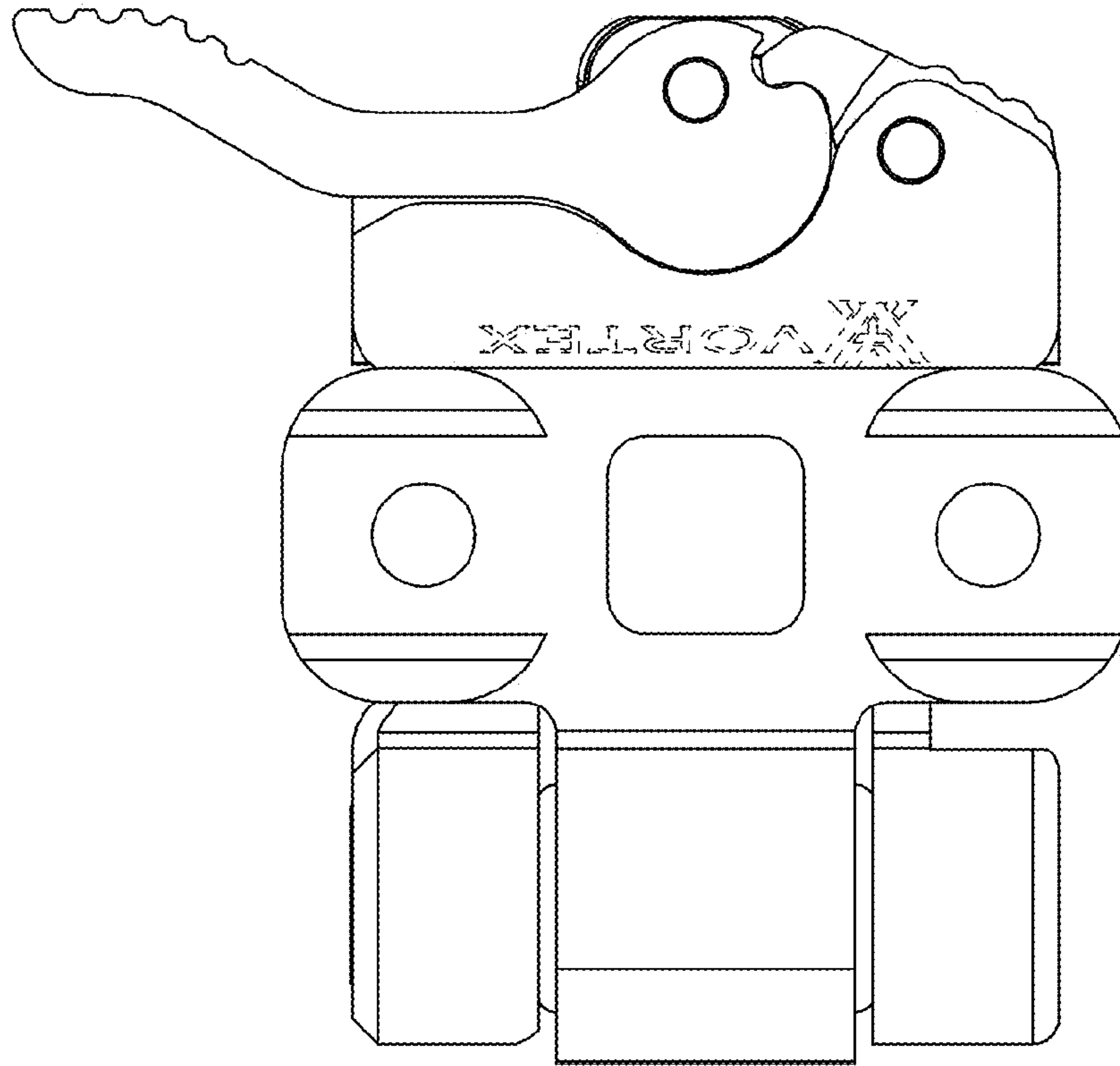


FIG. 7

