

US00D969957S

(12) **United States Design Patent**
Morgan et al.

(10) **Patent No.:** **US D969,957 S**

(45) **Date of Patent:** **** Nov. 15, 2022**

(54) **LASER BORESIGHT DEVICE**

(71) Applicant: **Range Tactics LLC**, Oconomowoc, WI (US)

(72) Inventors: **Wayne B. Morgan**, Lincoln, NE (US); **Richard D. Lindlau**, Waukesha, WI (US); **Daniel R. A. Harder**, Hartland, WI (US); **Myron O. Sleeper**, Marshfield, MA (US)

(73) Assignee: **Range Tactics LLC**, Oconomowoc, WI (US)

(**) Term: **15 Years**

(21) Appl. No.: **29/763,716**

(22) Filed: **Dec. 23, 2020**

(51) **LOC (13) Cl.** **22-01**

(52) **U.S. Cl.**
USPC **D22/108**

(58) **Field of Classification Search**
USPC D22/100, 103, 108, 109, 110, 199
CPC . F41G 11/003; F41G 1/14; F41G 1/38; F41G 1/16; F41G 1/02; F41G 1/06; F41A 23/005; F41C 23/16
See application file for complete search history.

(56) **References Cited**

U.S. PATENT DOCUMENTS

4,468,829	A	*	9/1984	Christensen	F42B 33/10
						D22/199
D478,146	S	*	8/2003	Wygant	D22/108
D561,293	S	*	2/2008	Mott	D22/108
D638,088	S	*	5/2011	Hawthorne	D22/108
D659,219	S	*	5/2012	Coulter	D22/108
D666,269	S	*	8/2012	Heath	D22/108
D766,396	S	*	9/2016	Scull	D22/108

D771,215	S	*	11/2016	Wolf	D22/108
D823,420	S	*	7/2018	Fischer	D22/108
10,317,172	B1	*	6/2019	Morgan	F41G 1/545
D856,456	S	*	8/2019	Wilson	D22/108
D927,632	S	*	8/2021	Li	D22/108
D927,633	S	*	8/2021	Li	D22/108

OTHER PUBLICATIONS

“EZshoot BoreSighter Bore Sight kit with Button Switch for 0.177 to 0.54 Caliber Rifles Handgun Red Laser Sight” [online]. EZshoot. [Product first available on Jun. 26, 2019]. Retrieved from the Internet: <<https://www.amazon.com/dp/B07TK9SVVY>>.*

* cited by examiner

Primary Examiner — Mojtaba Tehrani

(74) *Attorney, Agent, or Firm* — Suiter Swantz pc llo

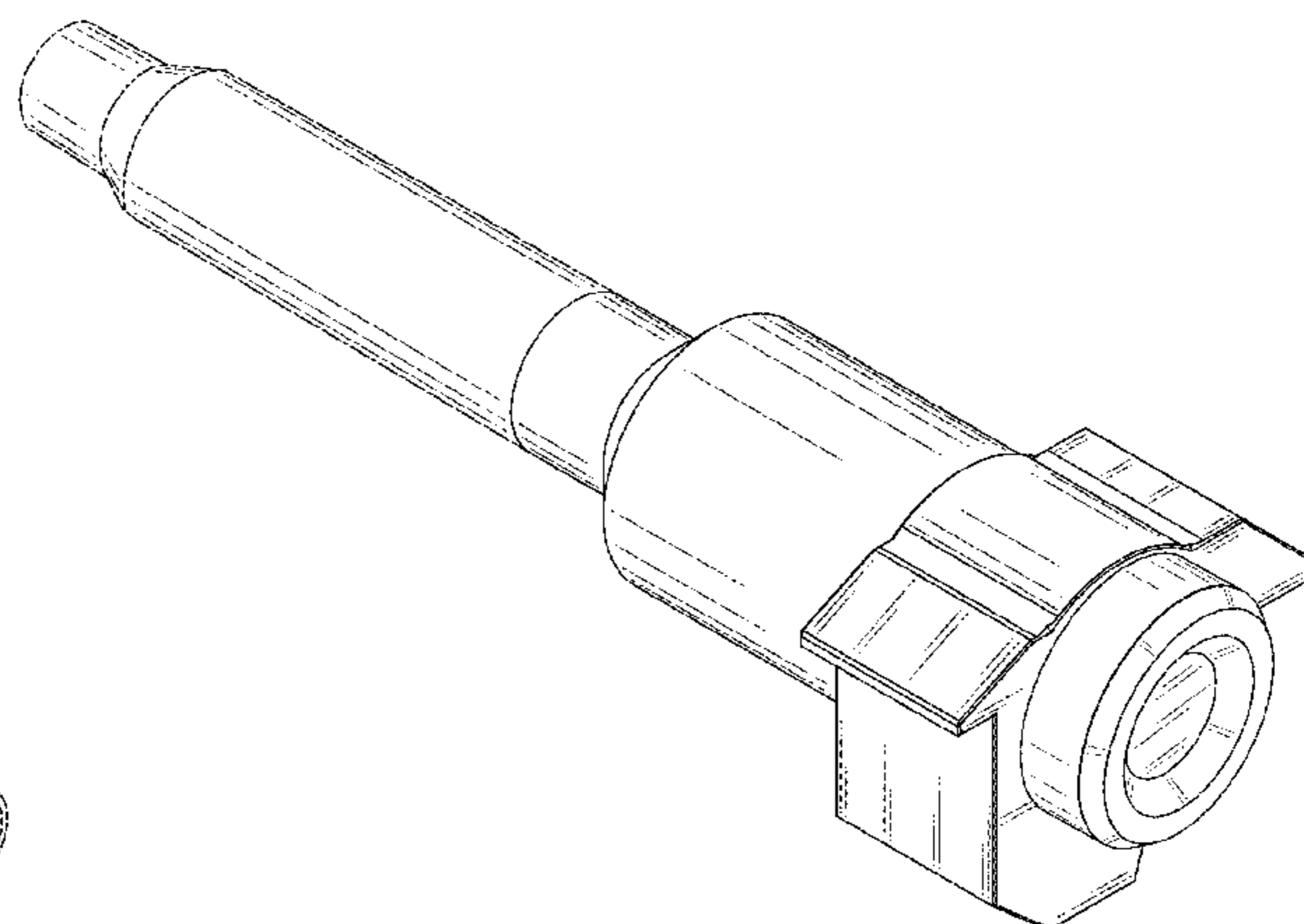
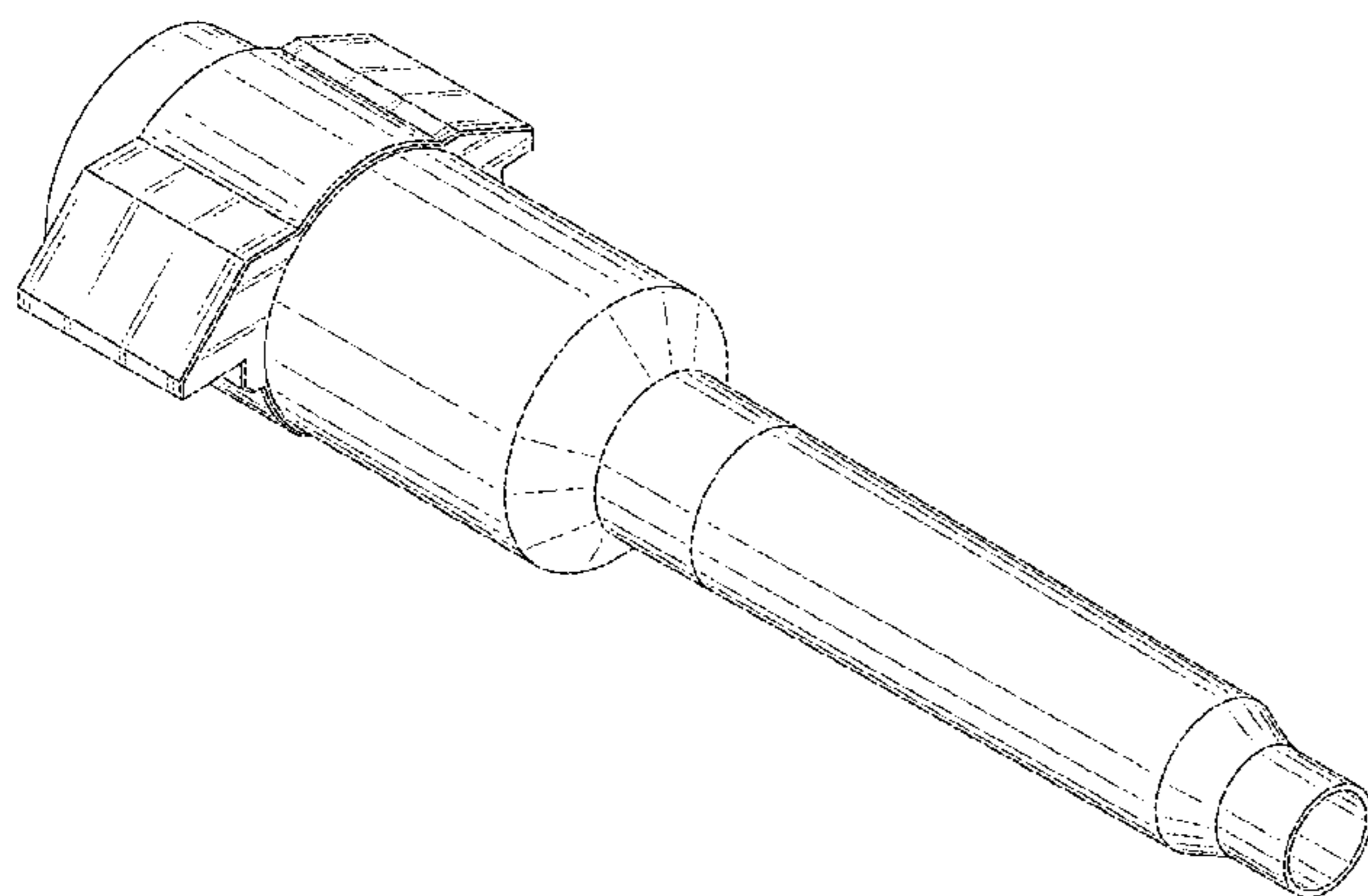
(57) **CLAIM**

The ornamental design for a laser boresight device, as shown and described.

DESCRIPTION

FIG. 1 is a first perspective view of a laser boresight device; FIG. 2 is a second perspective view thereof; FIG. 3 is a first side elevation view thereof; FIG. 4 is a second side elevation view thereof; FIG. 5 is a rear elevation view thereof; FIG. 6 is a front elevation view thereof; FIG. 7 is a top plan view thereof; and, FIG. 8 is a bottom plan view thereof. The broken lines shown in the drawings depict portions of the laser boresight device that form no part of the claimed design.

1 Claim, 8 Drawing Sheets



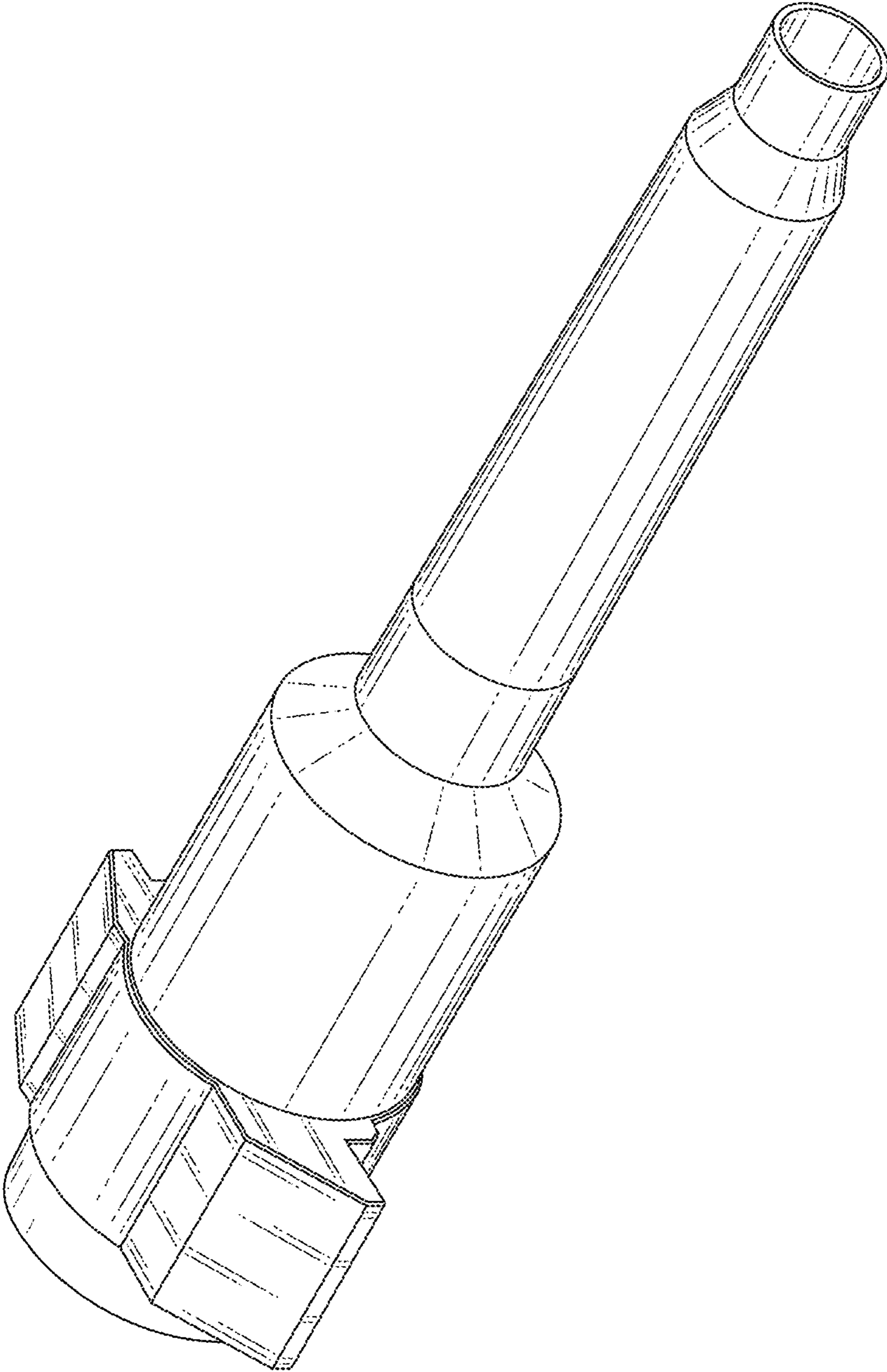


FIG. 1

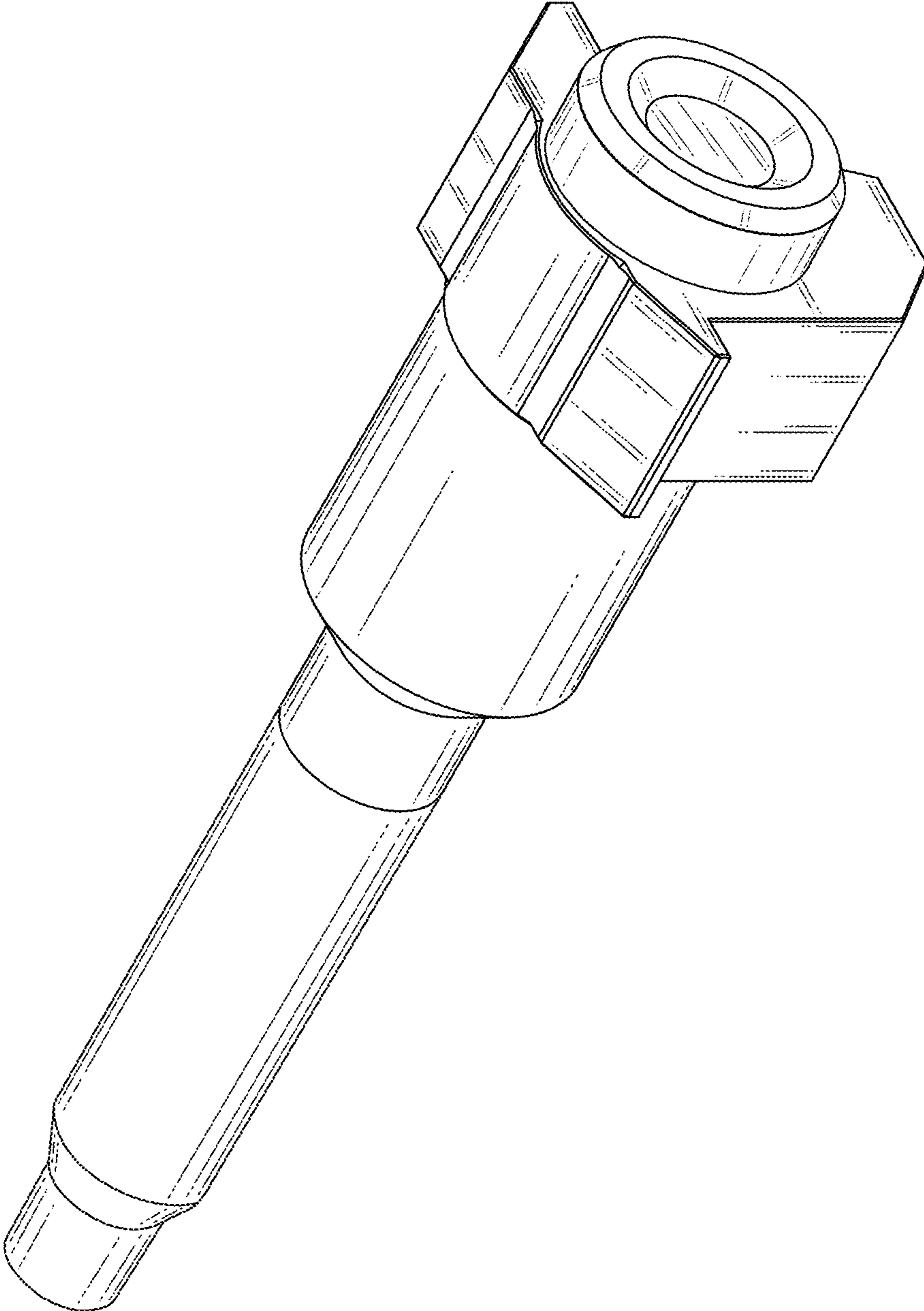


FIG. 2

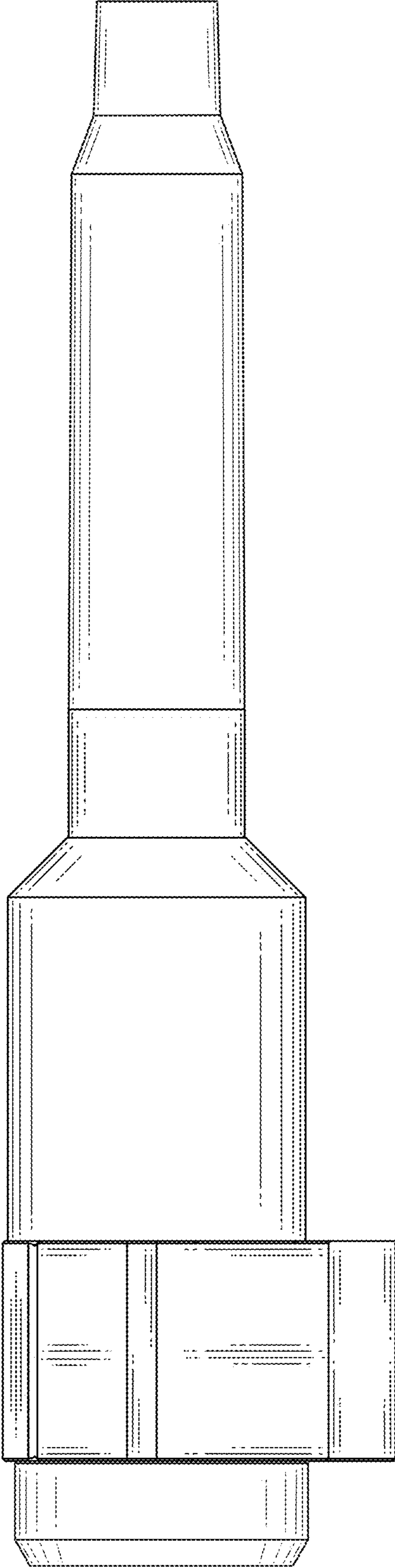


FIG. 3

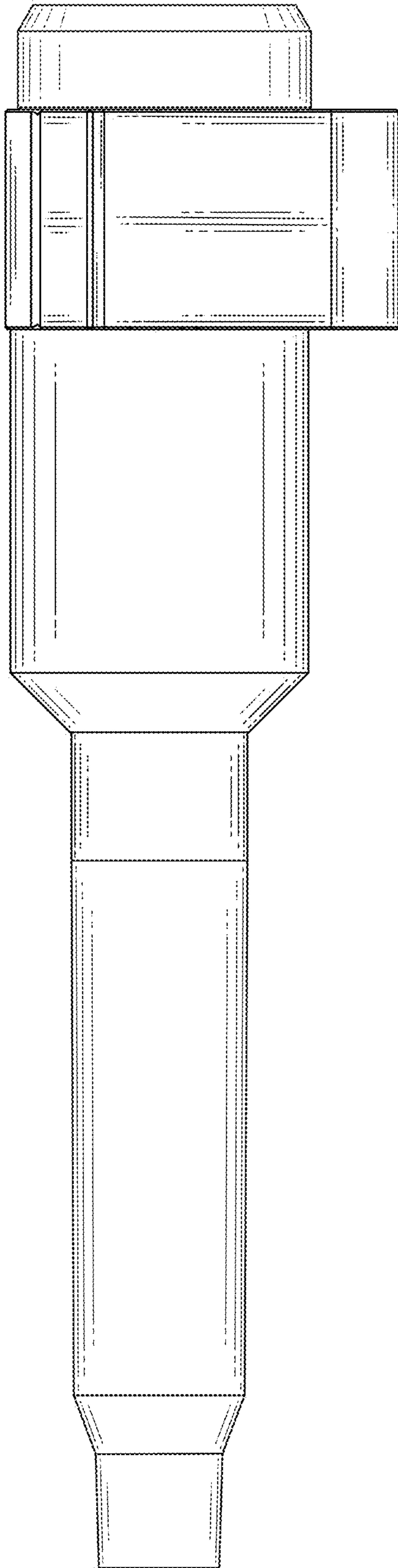


FIG.4

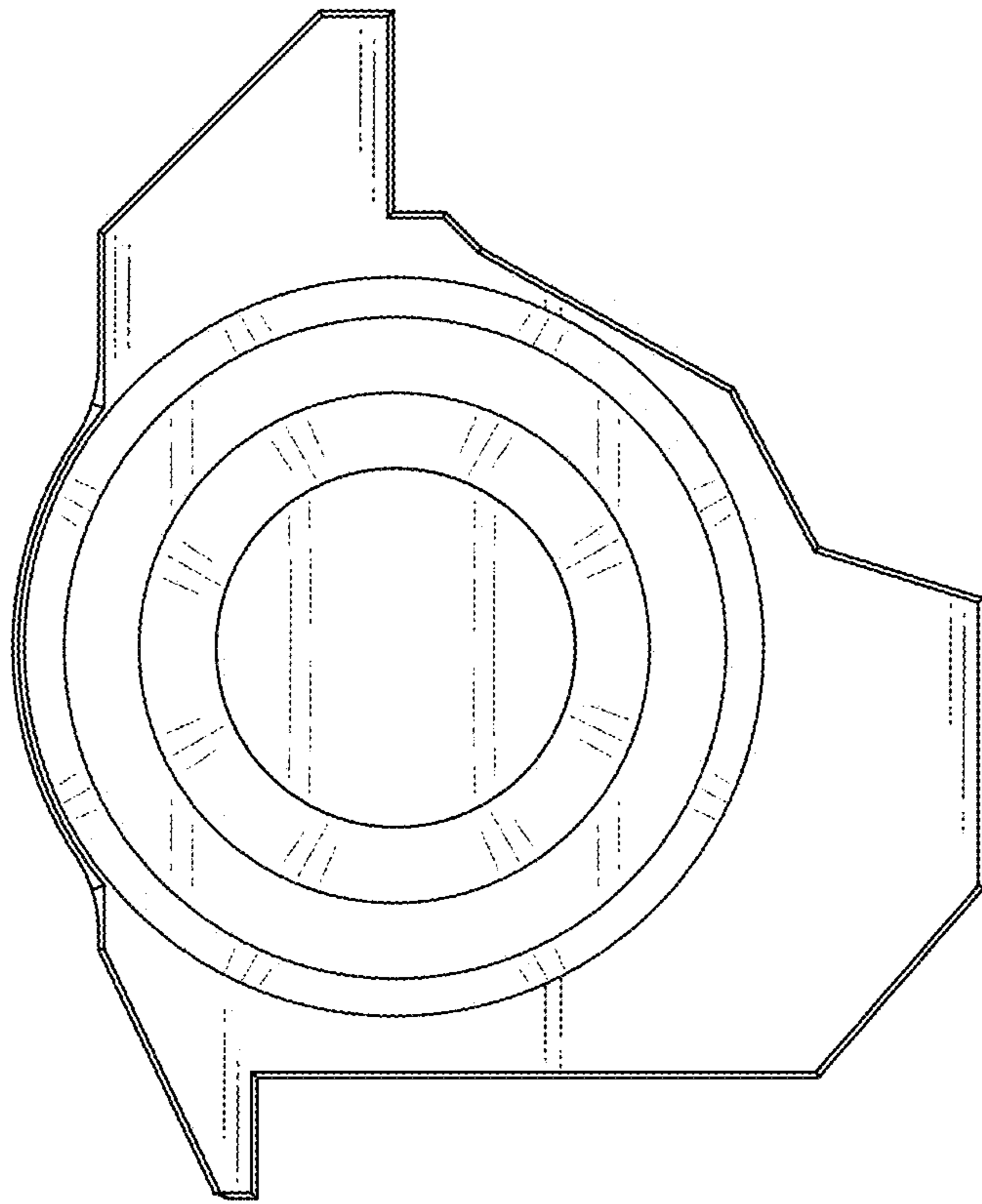


FIG. 5

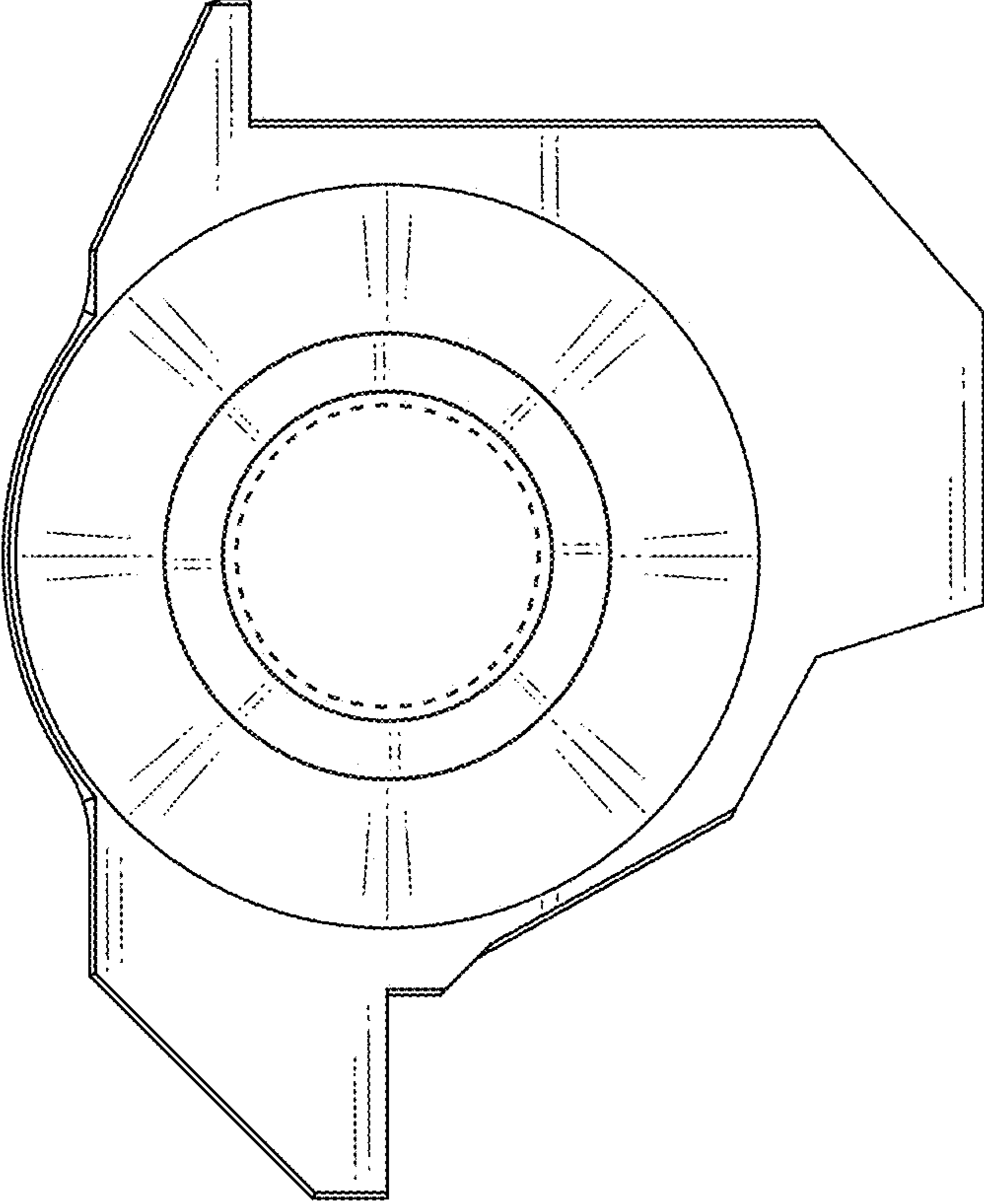


FIG. 6

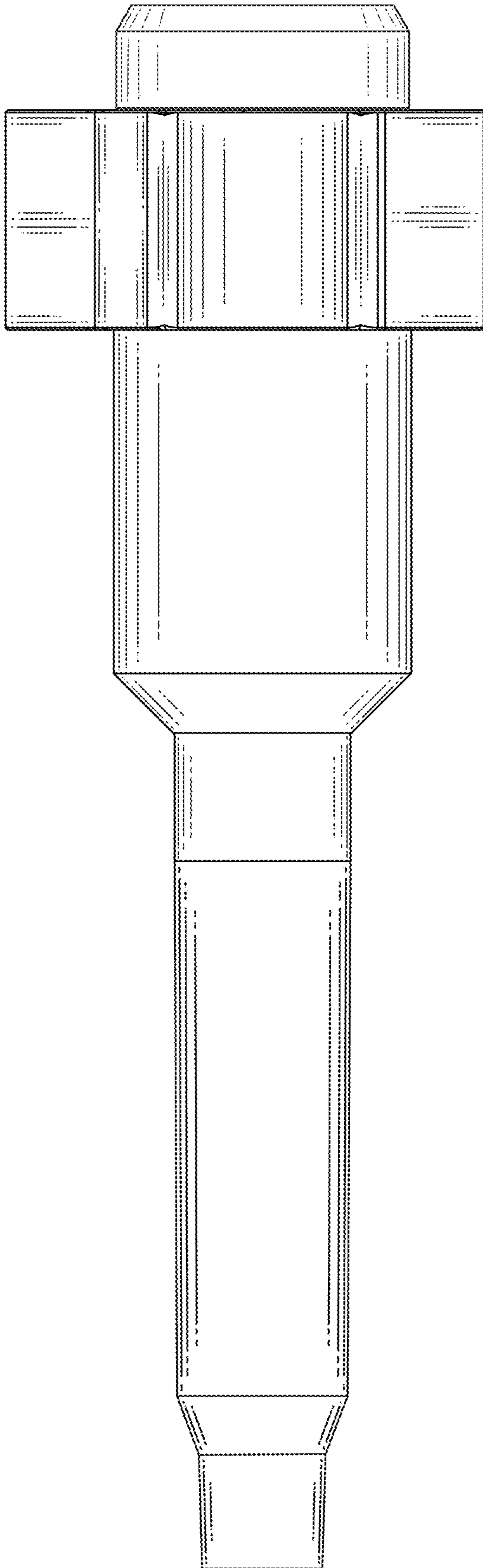


FIG. 7

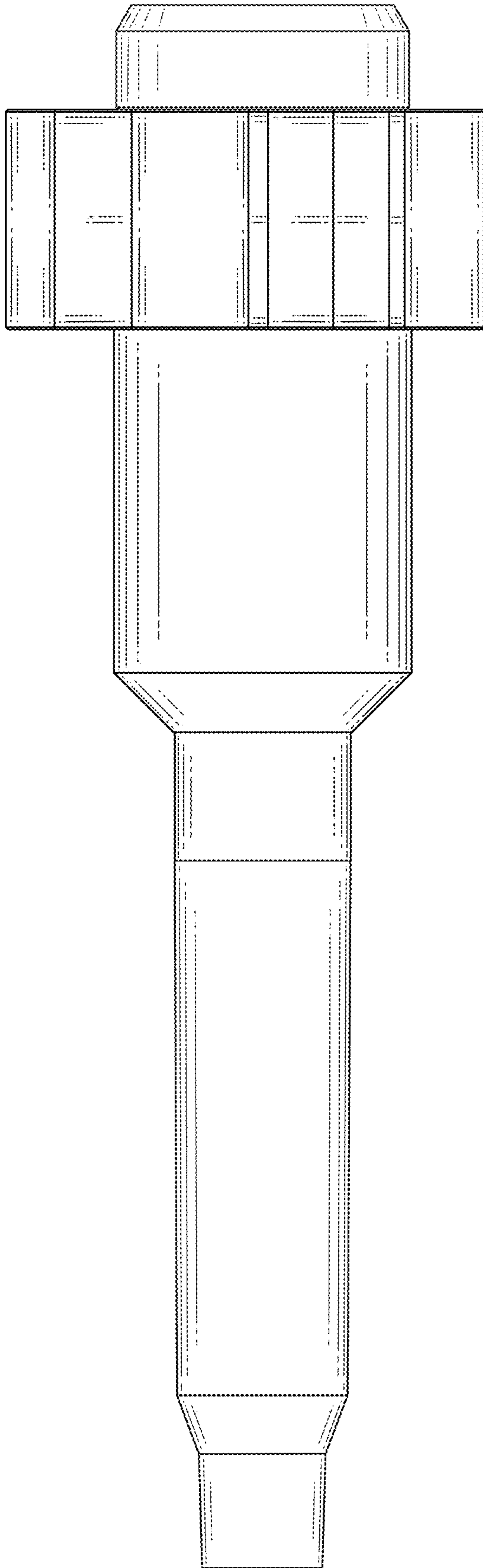


FIG. 8