



US00D969956S

(12) **United States Design Patent**  
**Morgan et al.**

(10) **Patent No.:** **US D969,956 S**

(45) **Date of Patent:** **\*\* Nov. 15, 2022**

(54) **LASER BORESIGHT DEVICE**

(71) Applicant: **Range Tactics LLC**, Oconomowoc, WI (US)

(72) Inventors: **Wayne B. Morgan**, Lincoln, NE (US); **Richard D. Lindlau**, Waukesha, WI (US); **Daniel R. A. Harder**, Hartland, WI (US); **Myron O. Sleeper**, Marshfield, MA (US)

(73) Assignee: **Range Tactica LLC**, Oconomowoc, WI (US)

(\*\*) Term: **15 Years**

(21) Appl. No.: **29/763,713**

(22) Filed: **Dec. 23, 2020**

(51) **LOC (13) Cl.** ..... **22-01**

(52) **U.S. Cl.**  
USPC ..... **D22/108**

(58) **Field of Classification Search**  
USPC ..... D22/100, 103, 108, 109, 110, 199  
CPC . F41G 11/003; F41G 1/14; F41G 1/38; F41G 1/16; F41G 1/02; F41G 1/06; F41A 23/005; F41C 23/16

See application file for complete search history.

(56) **References Cited**

**U.S. PATENT DOCUMENTS**

- 4,468,829 A \* 9/1984 Christensen ..... F42B 33/10 D22/199
- D478,146 S \* 8/2003 Wygant ..... D22/108
- D561,293 S \* 2/2008 Mott ..... D22/108
- D638,088 S \* 5/2011 Hawthorne ..... D22/108
- D659,219 S \* 5/2012 Coulter ..... D22/108
- D666,269 S \* 8/2012 Heath ..... D22/108
- D766,396 S \* 9/2016 Scull ..... D22/108

- D771,215 S \* 11/2016 Wolf ..... D22/108
- D823,420 S \* 7/2018 Fischer ..... D22/108
- 10,317,172 B1 \* 6/2019 Morgan ..... F41G 1/545
- D856,456 S \* 8/2019 Wilson ..... D22/108
- D927,632 S \* 8/2021 Li ..... D22/108
- D927,633 S \* 8/2021 Li ..... D22/108

**OTHER PUBLICATIONS**

“EZshoot BoreSighter Bore Sight kit with Button Switch for 0.177 to 0.54 Caliber Rifles Handgun Red Laser Sight” [online]. EZshoot. [Product first available on Jun. 26, 2019]. Retrieved from the Internet: <<https://www.amazon.com/dp/B07TK9SVVY>>.\*

\* cited by examiner

*Primary Examiner* — Mojtaba Tehrani

(74) *Attorney, Agent, or Firm* — Suiter Swantz pc llo

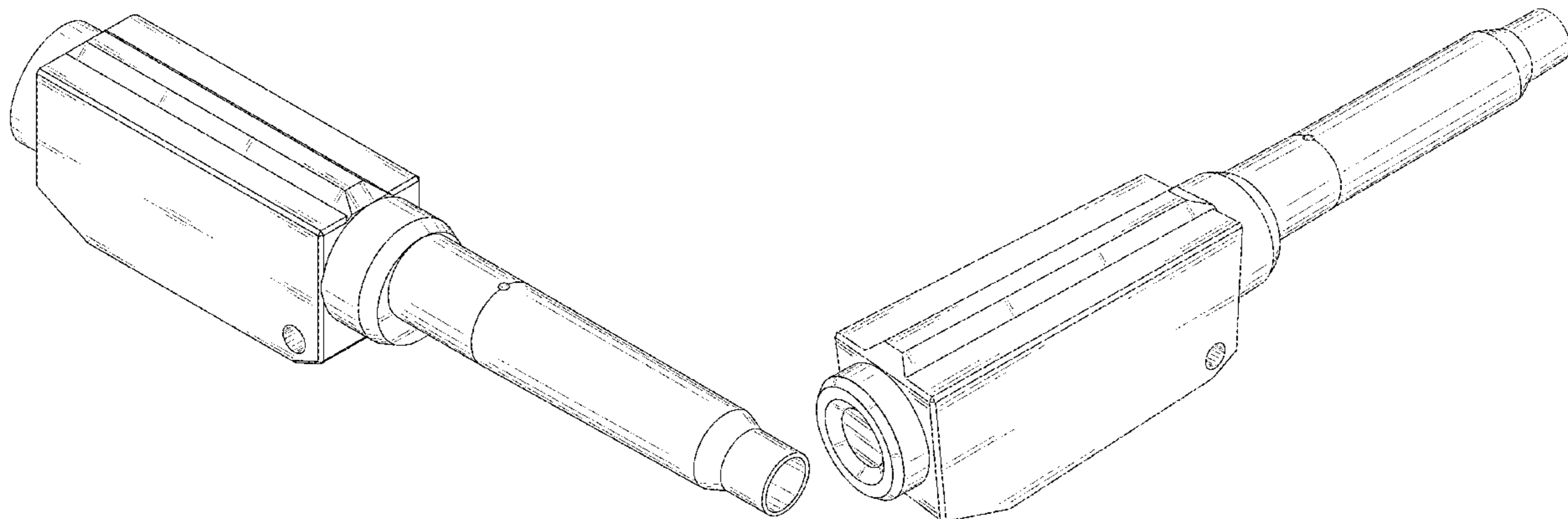
(57) **CLAIM**

The ornamental design for a laser boresight device, as shown and described.

**DESCRIPTION**

FIG. 1 is a first perspective view of a laser boresight device; FIG. 2 is a second perspective view thereof; FIG. 3 is a first side elevation view thereof; FIG. 4 is a second side elevation view thereof; FIG. 5 is a rear elevation view thereof; FIG. 6 is a front elevation view thereof; FIG. 7 is a top plan view thereof; and, FIG. 8 is a bottom plan view thereof. The broken lines shown in the drawings depict portions of the laser boresight device that form no part of the claimed design.

**1 Claim, 8 Drawing Sheets**



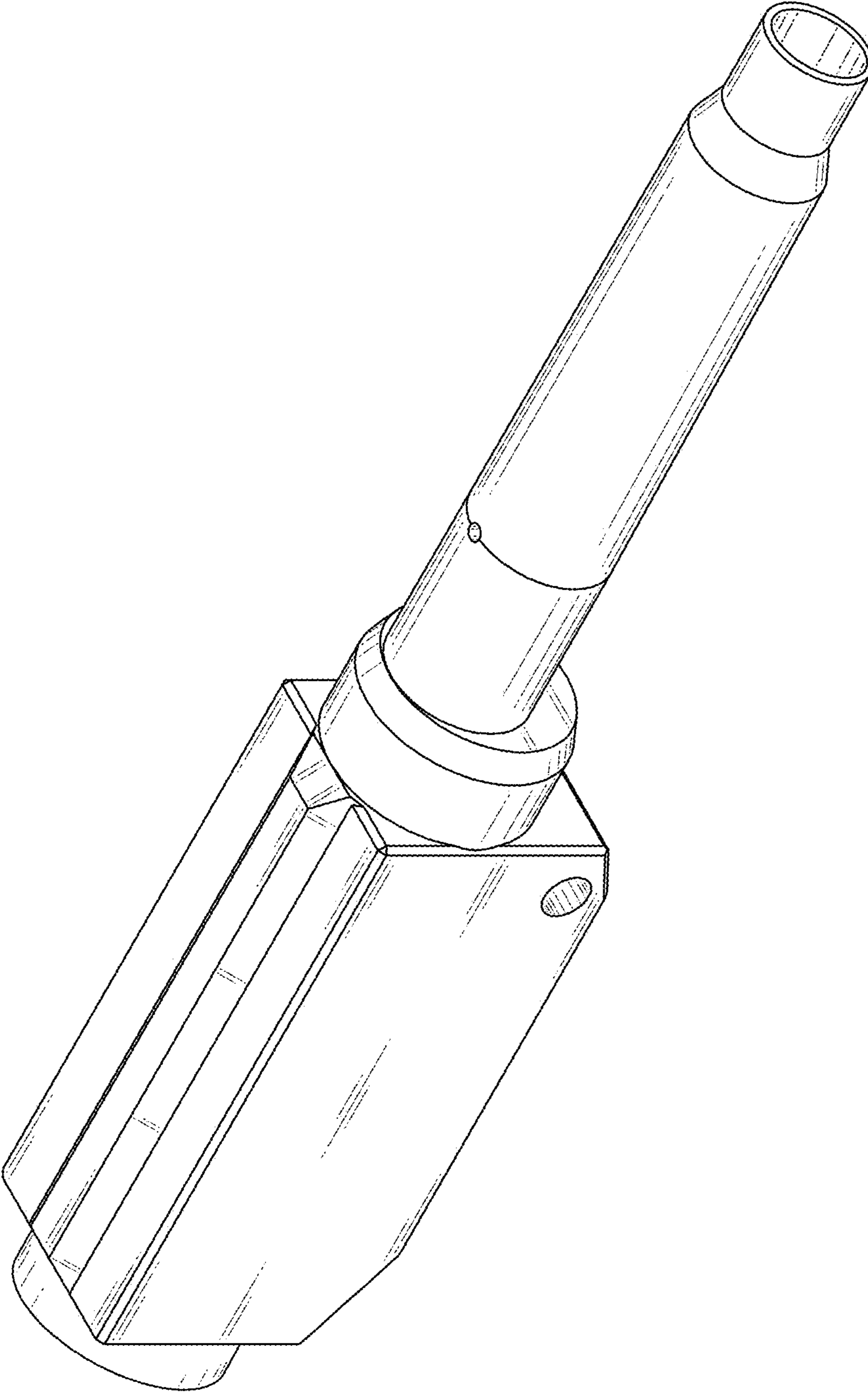


FIG. 1

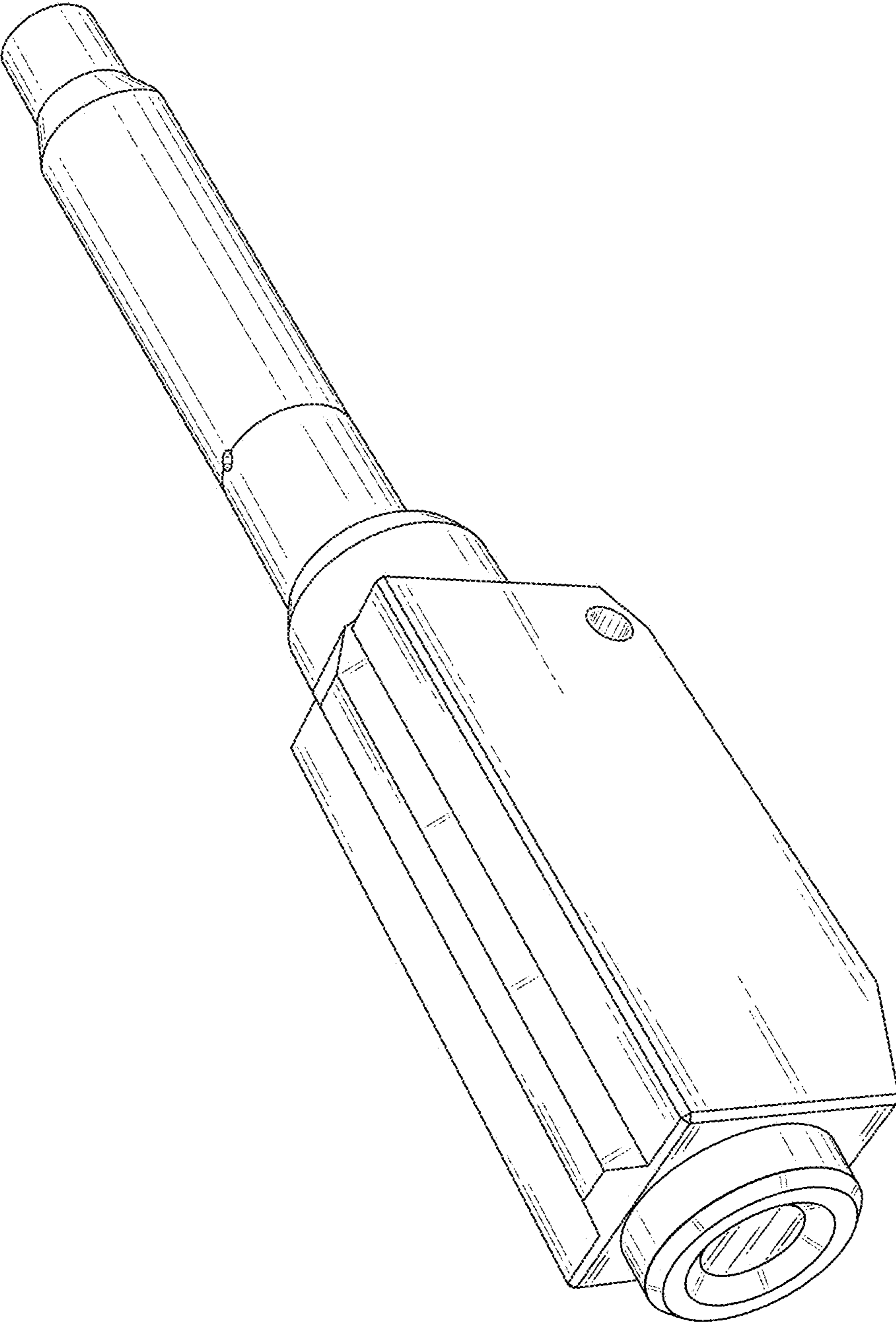


FIG. 2

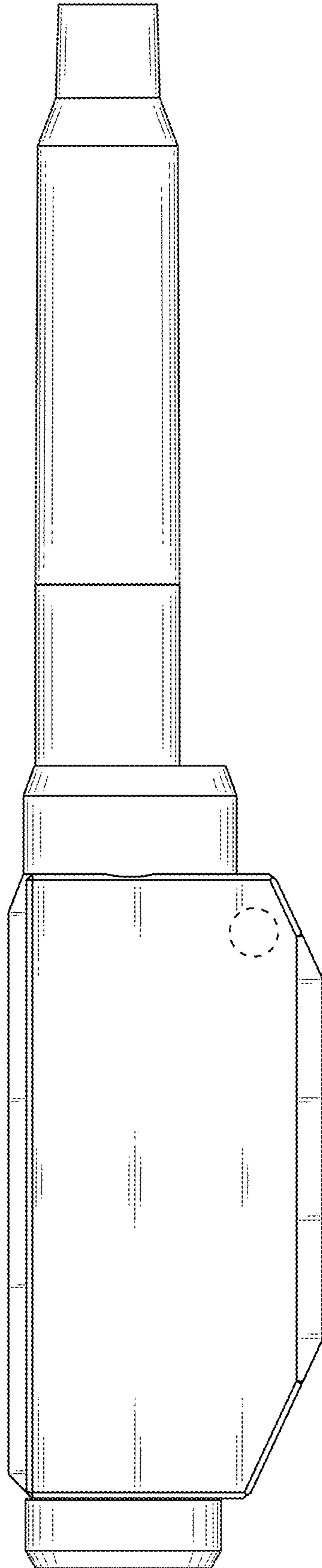


FIG. 3

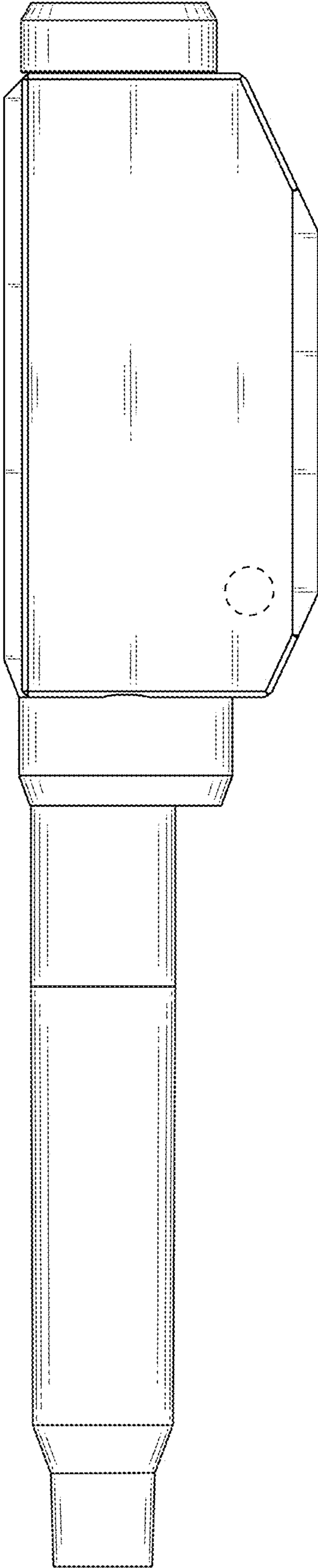


FIG. 4

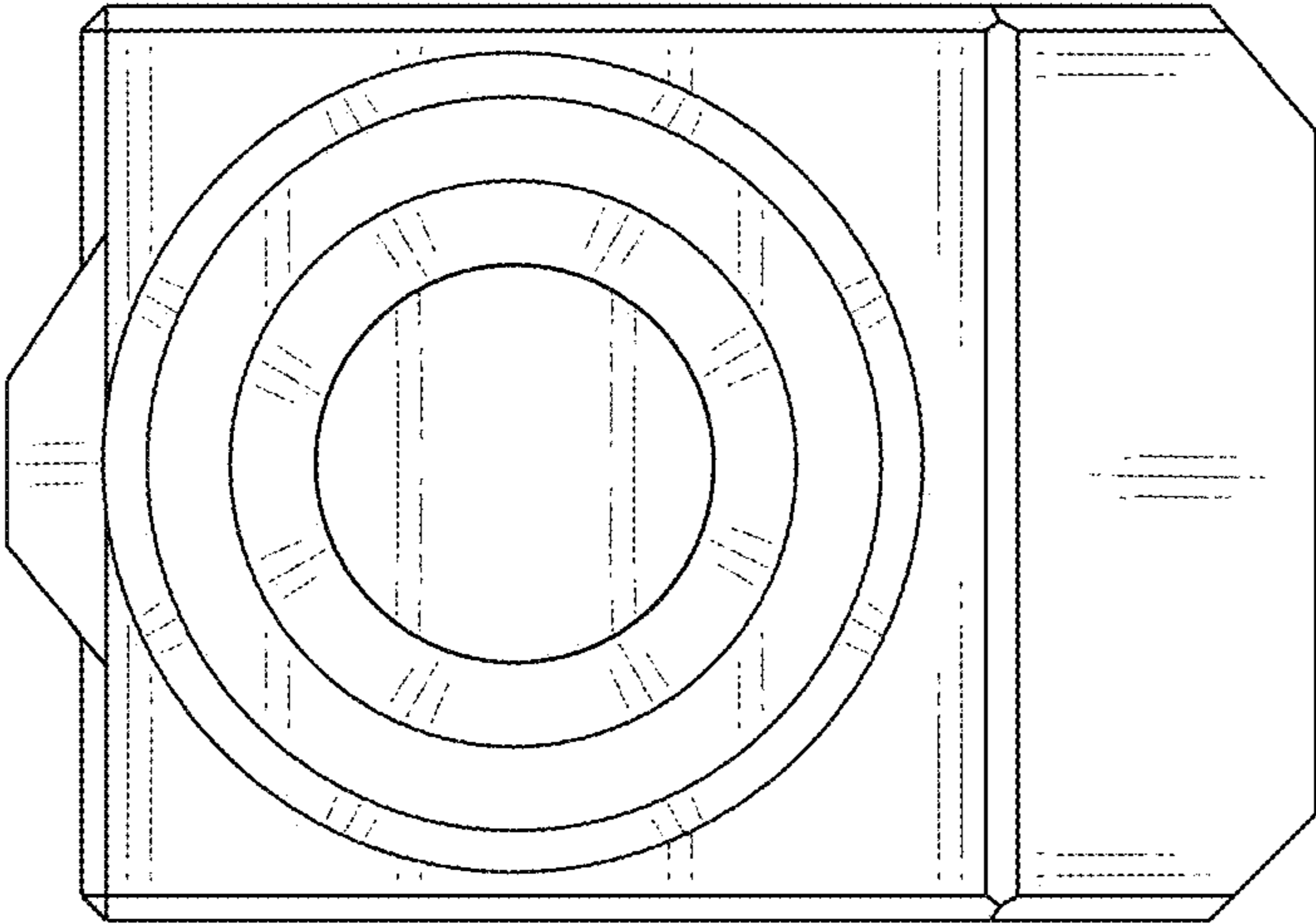


FIG. 5

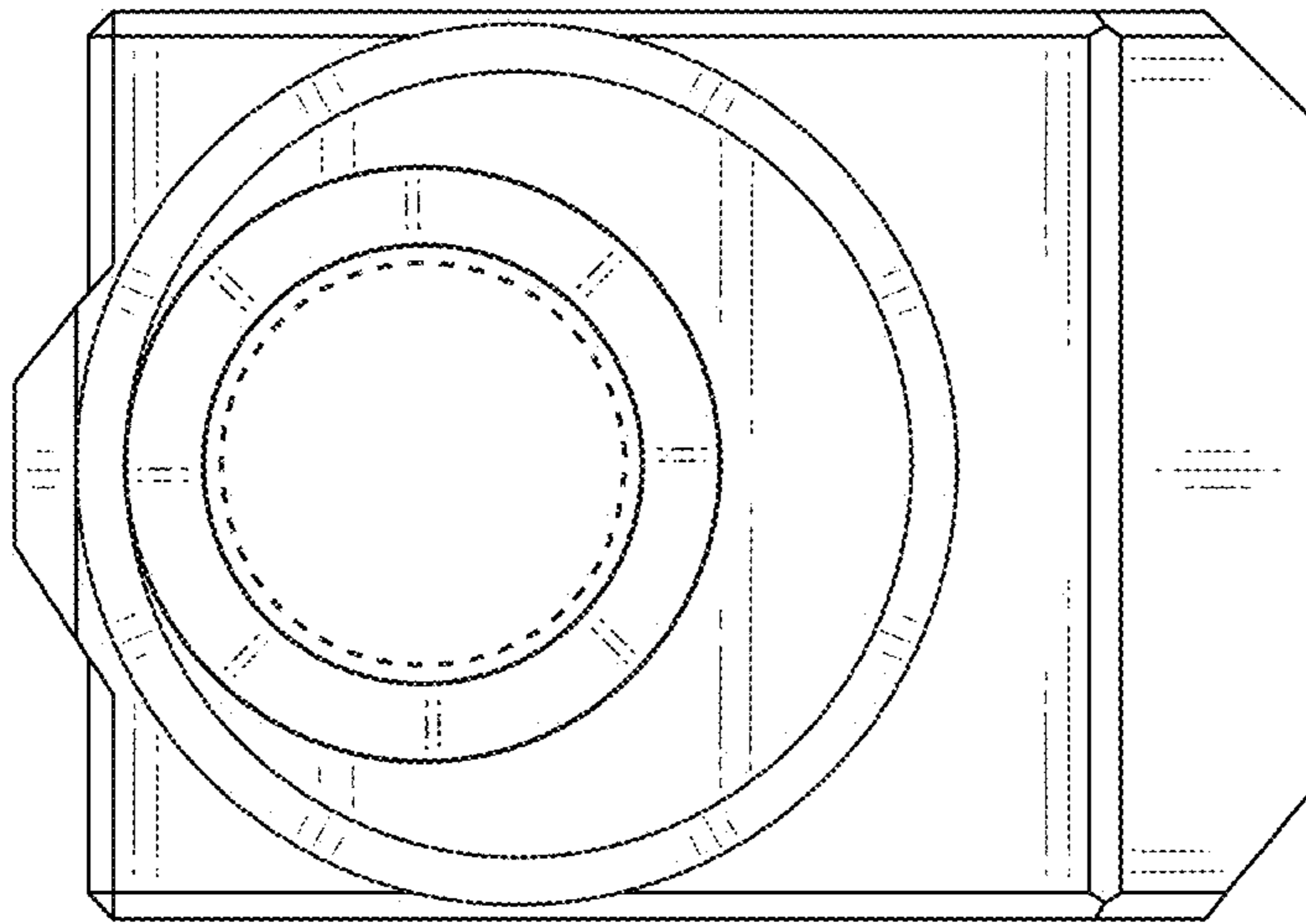


FIG.6

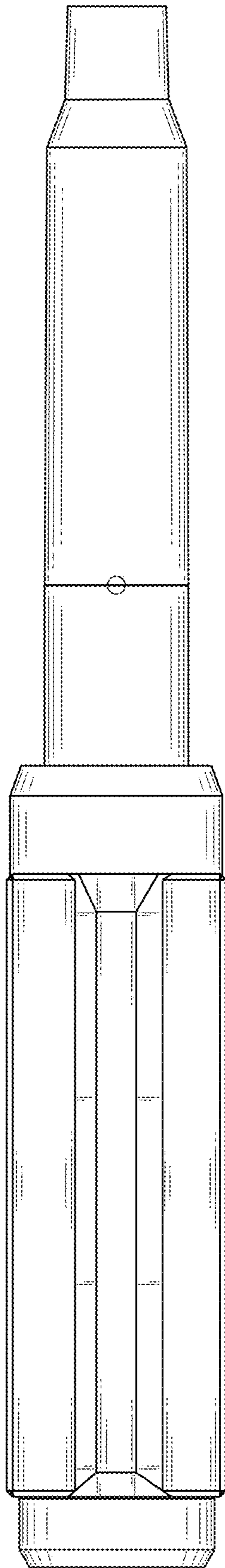


FIG. 7



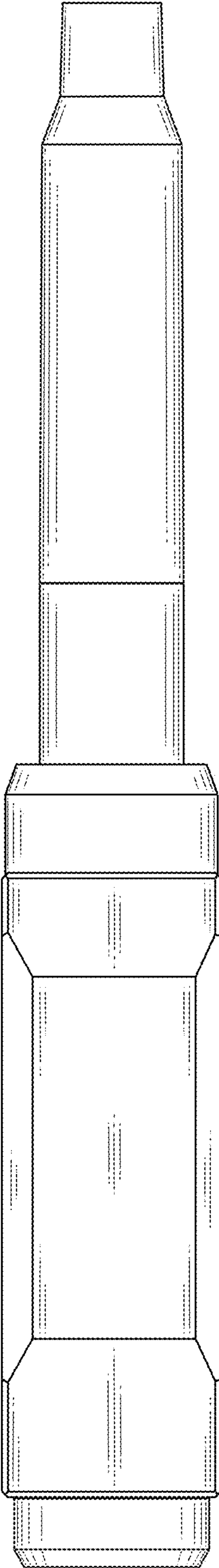


FIG. 8