



US00D969953S

(12) **United States Design Patent**
Fogg et al.

(10) **Patent No.: US D969,953 S**

(45) **Date of Patent: ** Nov. 15, 2022**

(54) **SHOTGUN FOREND LIGHT**

(71) Applicant: **Tractor Supply Company**, Brentwood, TN (US)

(72) Inventors: **Christian D. Fogg**, Columbia, TN (US); **Spencer Carpenter**, Lewisburg, TN (US); **Mitchell Loren Wilgus**, Spring Hill, TN (US)

(73) Assignee: **Tractor Supply Company**, Nashville, TN (US)

(**) Term: **15 Years**

(21) Appl. No.: **29/726,821**

(22) Filed: **Mar. 5, 2020**

(51) **LOC (13) Cl.** **22-01**

(52) **U.S. Cl.**
USPC **D22/108**
CPC **F41C 27/00** (2013.01)

(58) **Field of Classification Search**
USPC D21/572, 573; D22/108, 109, 132; D26/37-50
CPC F41C 27/00; F41G 1/35
See application file for complete search history.

(56) **References Cited**

U.S. PATENT DOCUMENTS

D604,384 S *	11/2009	Bengtsson	D22/109
8,683,733 B2 *	4/2014	Gross	F41G 11/003
				42/114
D709,159 S *	7/2014	Gibson	D22/108
9,228,804 B2	1/2016	Syregelas et al.		
D857,268 S *	8/2019	Worman	D26/60
D860,375 S *	9/2019	Chavez	D22/108

(Continued)

FOREIGN PATENT DOCUMENTS

HK	2016249-0001	*	9/2020
HK	2016249-0002	*	9/2020

OTHER PUBLICATIONS

Adaptive Tactical, Online Product Page. Earliest Review Date: Sep. 17, 2019. Date Accessed: Aug. 4, 2022. Accessed on the Internet URL: <https://adaptivetactical.com/collections/shotgun-accessories/products/ex-performance-tactical-light-forend-for-mossberg> (Year: 2019).*

(Continued)

Primary Examiner — S. Bryan Reinholdt, Jr.

Assistant Examiner — Kaitlan N Oliver

(74) *Attorney, Agent, or Firm* — Lucian Wayne Beavers; Patterson Intellectual Property Law, PC

(57) **CLAIM**

What is claimed is the ornamental design for a shotgun forend light, as shown and described.

DESCRIPTION

FIG. 1 is a right, front, and top perspective view of the shotgun forend light.

FIG. 2 is a left, rear, and bottom perspective view of the shotgun forend light of FIG. 1.

FIG. 3 is a right side elevation view of the shotgun forend light of FIG. 1, the left side elevation view being a mirror image thereof.

FIG. 4 is a front elevation view of the shotgun forend light of FIG. 1.

FIG. 5 is a rear elevation view of the shotgun forend light of FIG. 1.

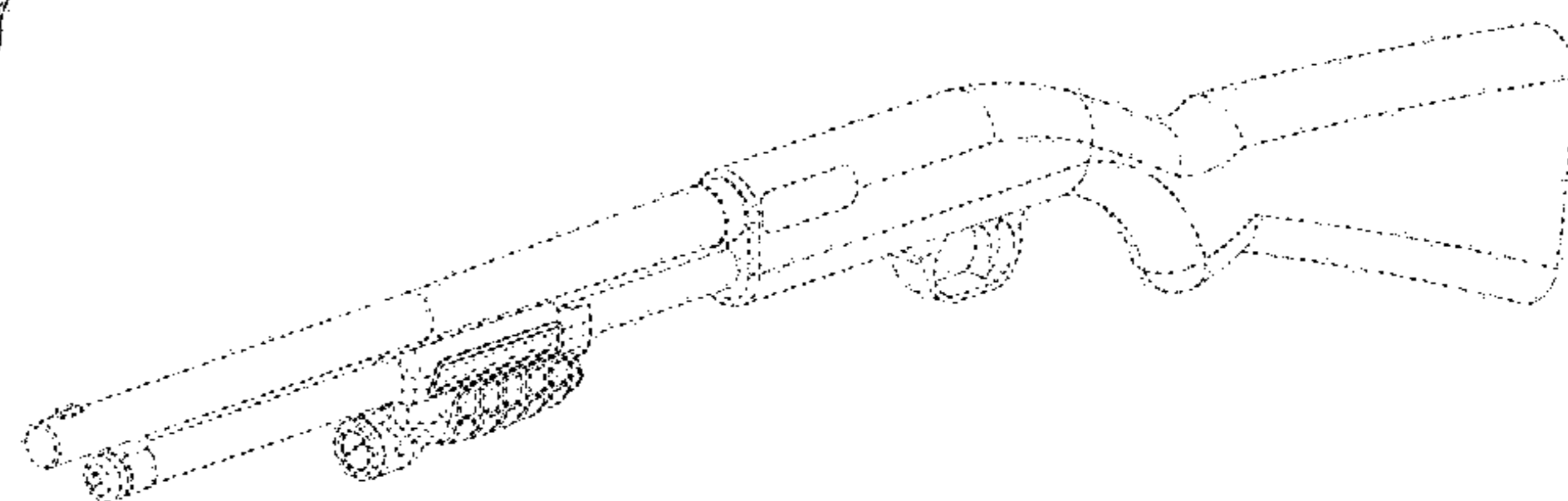
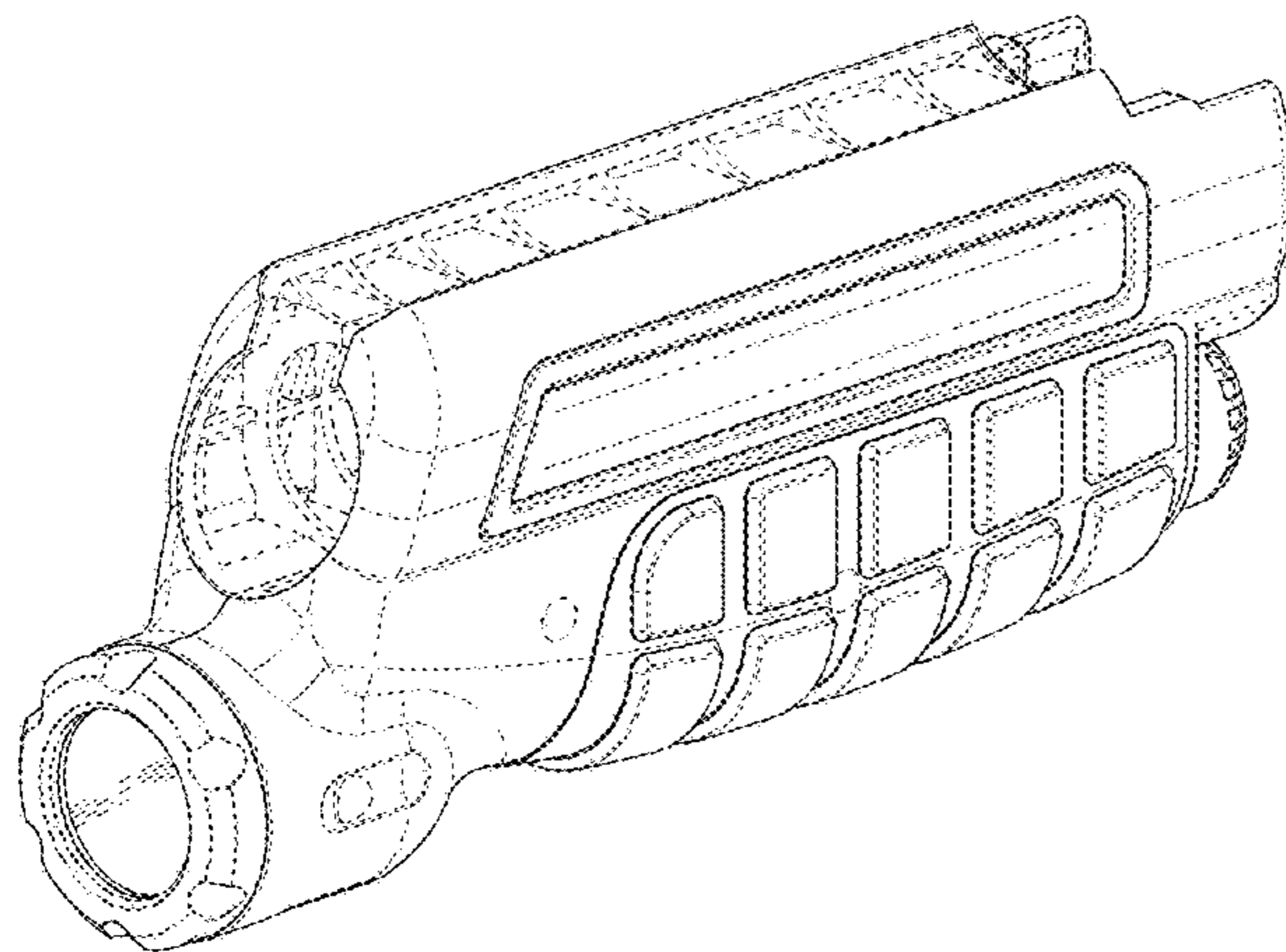
FIG. 6 is a top view of the shotgun forend light of FIG. 1.

FIG. 7 is a bottom view of the shotgun forend light of FIG. 1; and,

FIG. 8 is a right side perspective view of the shotgun forend light of FIG. 1 shown in a use configuration with environment.

The dashed lines depict portions of the shotgun forend light that form no part of the claimed design. The dashed lines in FIG. 8 depict environment of a shotgun that forms no part of the claimed design.

1 Claim, 6 Drawing Sheets



(56)

References Cited

U.S. PATENT DOCUMENTS

D880,740	S	*	4/2020	Galli	D26/46
D881,430	S	*	4/2020	Mao	D26/37
D902,341	S	*	11/2020	Starr	D22/108
D906,562	S	*	12/2020	Hawk	D22/108
D932,673	S	*	10/2021	Hubert	D26/46
D956,165	S	*	6/2022	Hawk	D22/108
D958,925	S	*	7/2022	Gallery	D16/132
2011/0167707	A1	*	7/2011	Gross	F41C 23/16 42/114

OTHER PUBLICATIONS

SFL-Series: Shotgun Forend Light Installation, YouTube—Nightstick Channel Publication Date Apr. 19, 2022. Date Accessed: Aug. 4, 2022. Accessed on the YouTube URL: <https://www.youtube.com/watch?v=GOLJgtCfPM> (Year: 2022).*

Streamlight TL-Racker data sheet obtained from STREAMLIGHT.com on May 14, 2020 at the following web address: www.streamlight.com/docs/default-source/data-sheet/tl-racker_datasheet.pdf This document was created on Jan. 6, 2020 and modified on Jan. 14, 2020, one page.

EOTech Inc. Safety Summary Batteries Warning obtained from EOTECH.com on May 14, 2020 at the following web address: www.eotechinc.com (undated).

Surefire website screenshot obtained from SUREFIRE.com on May 14, 2020 at the following web address: www.surefire.com/illumination/weaponlights/shotgun-forend.html (Undated).

Co-Pending corresponding U.S. Appl. No. 29/726,822, filed Mar. 5, 2020 (co-pending).

Co-Pending corresponding U.S. Appl. No. 29/726,822, filed Mar. 5, 2020 (Including Drawings) (co-pending).

* cited by examiner

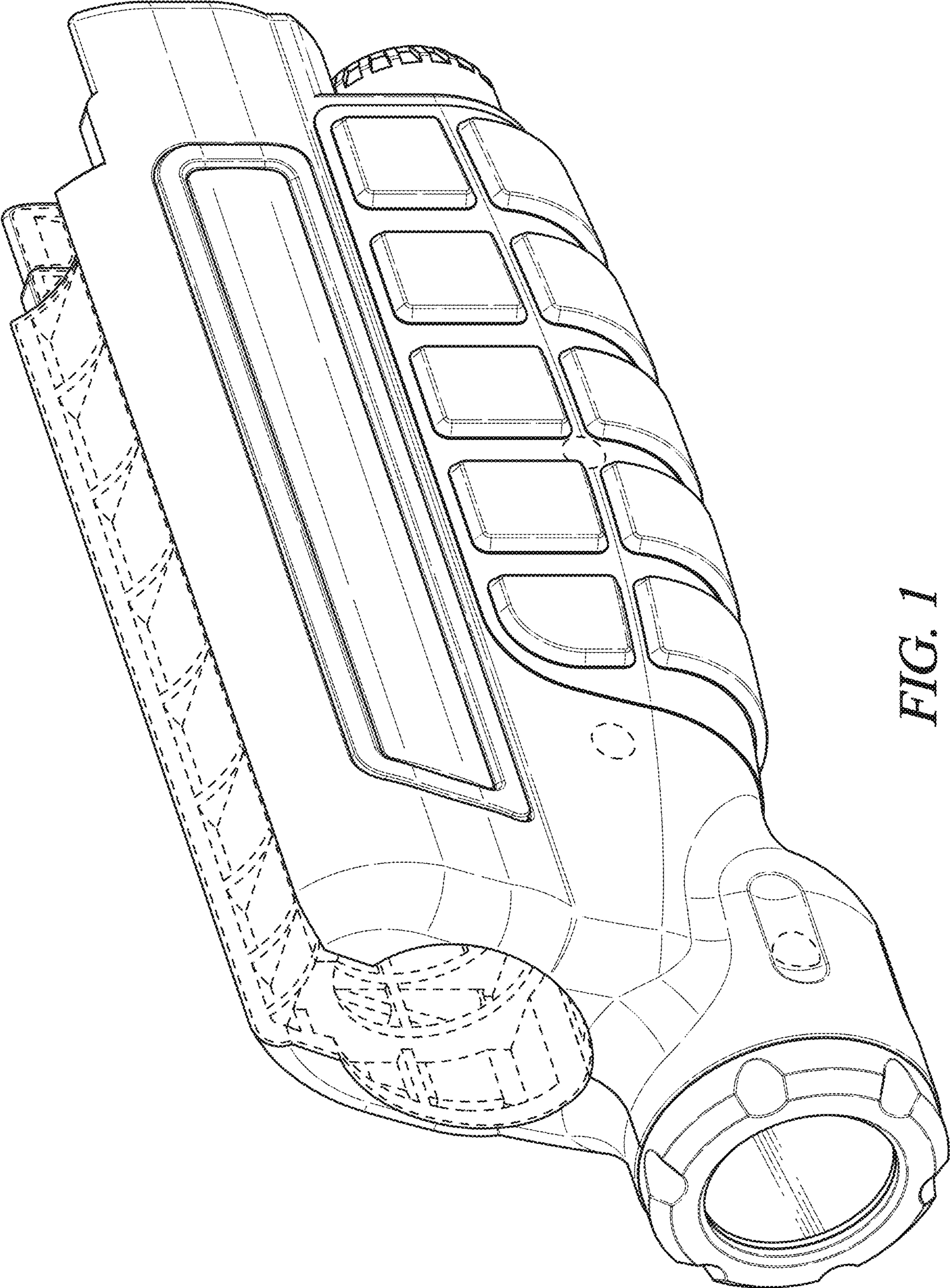


FIG. 1

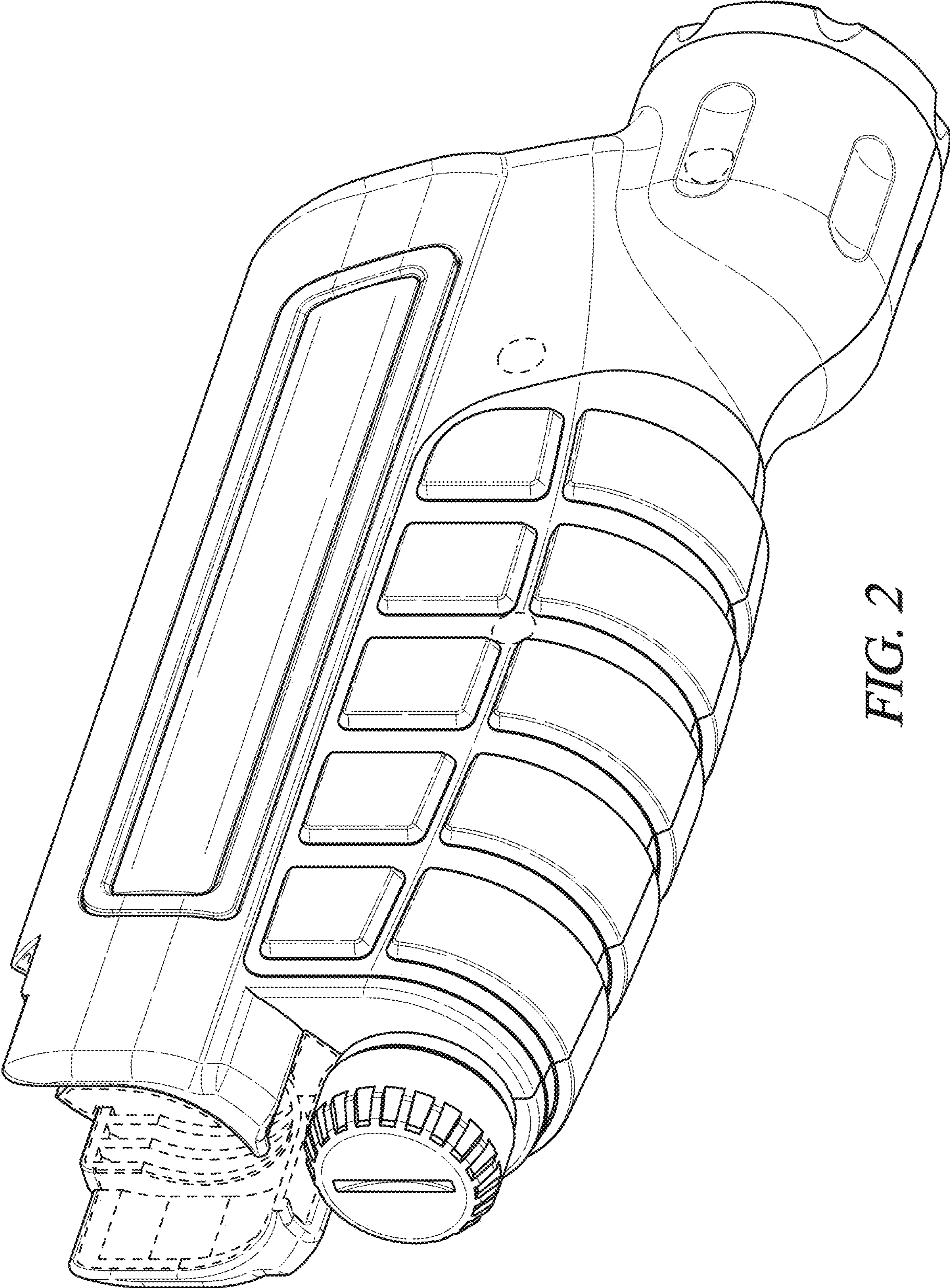


FIG. 2

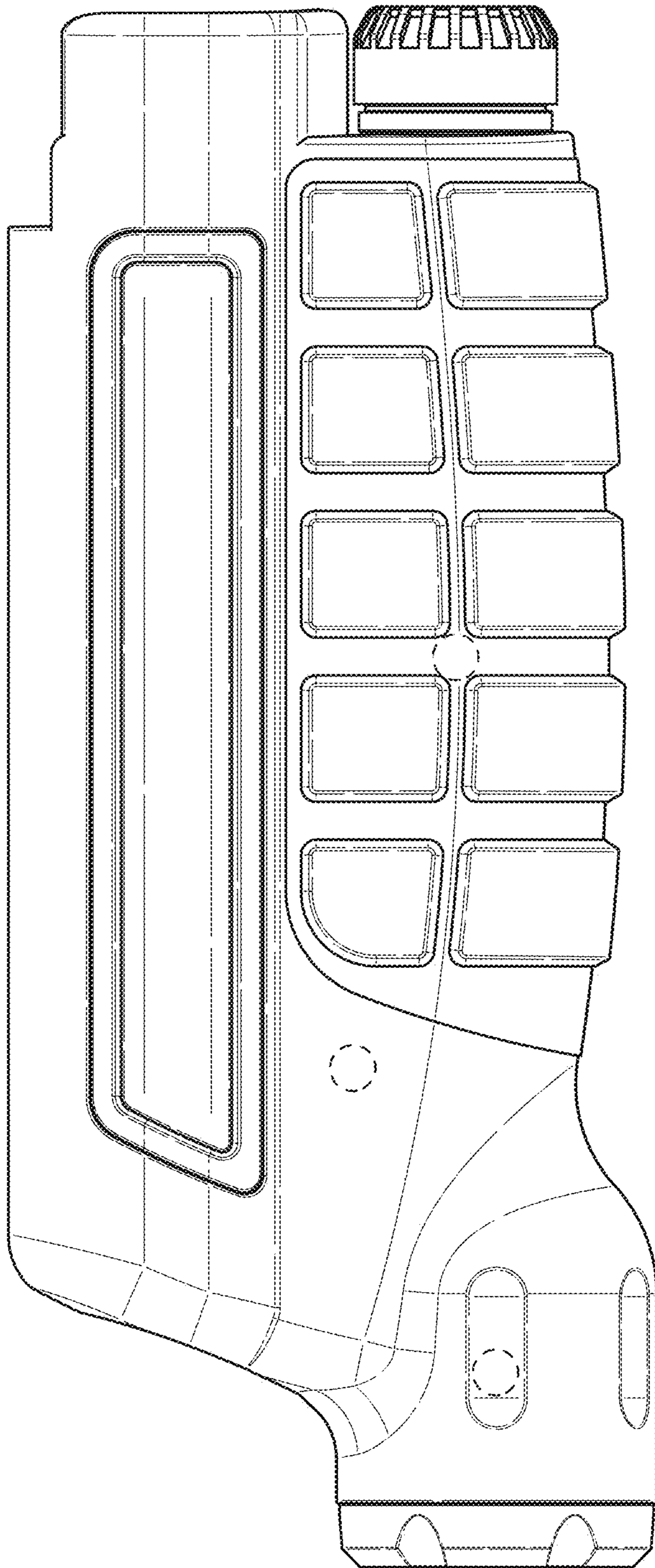


FIG. 3

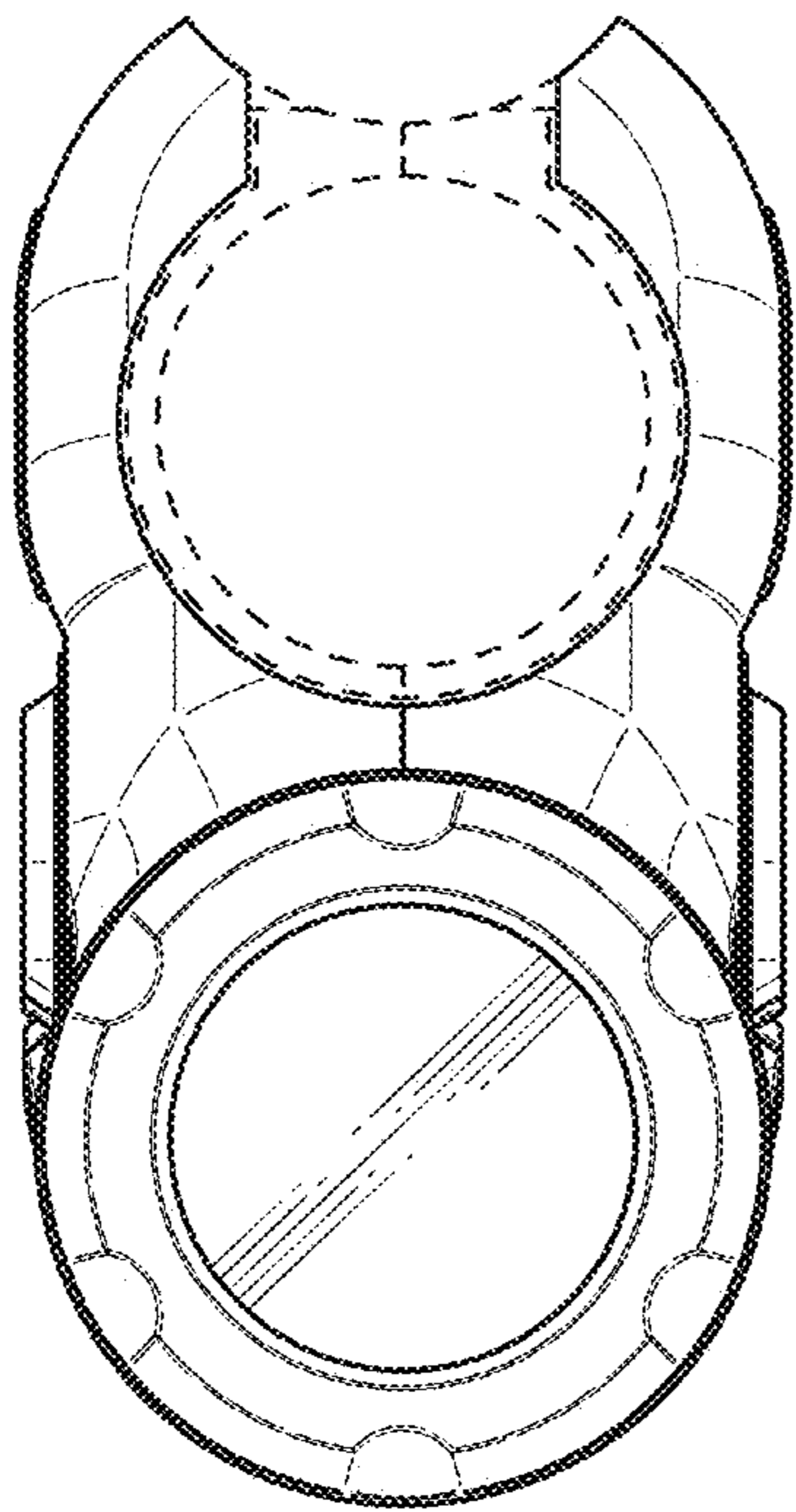


FIG. 4

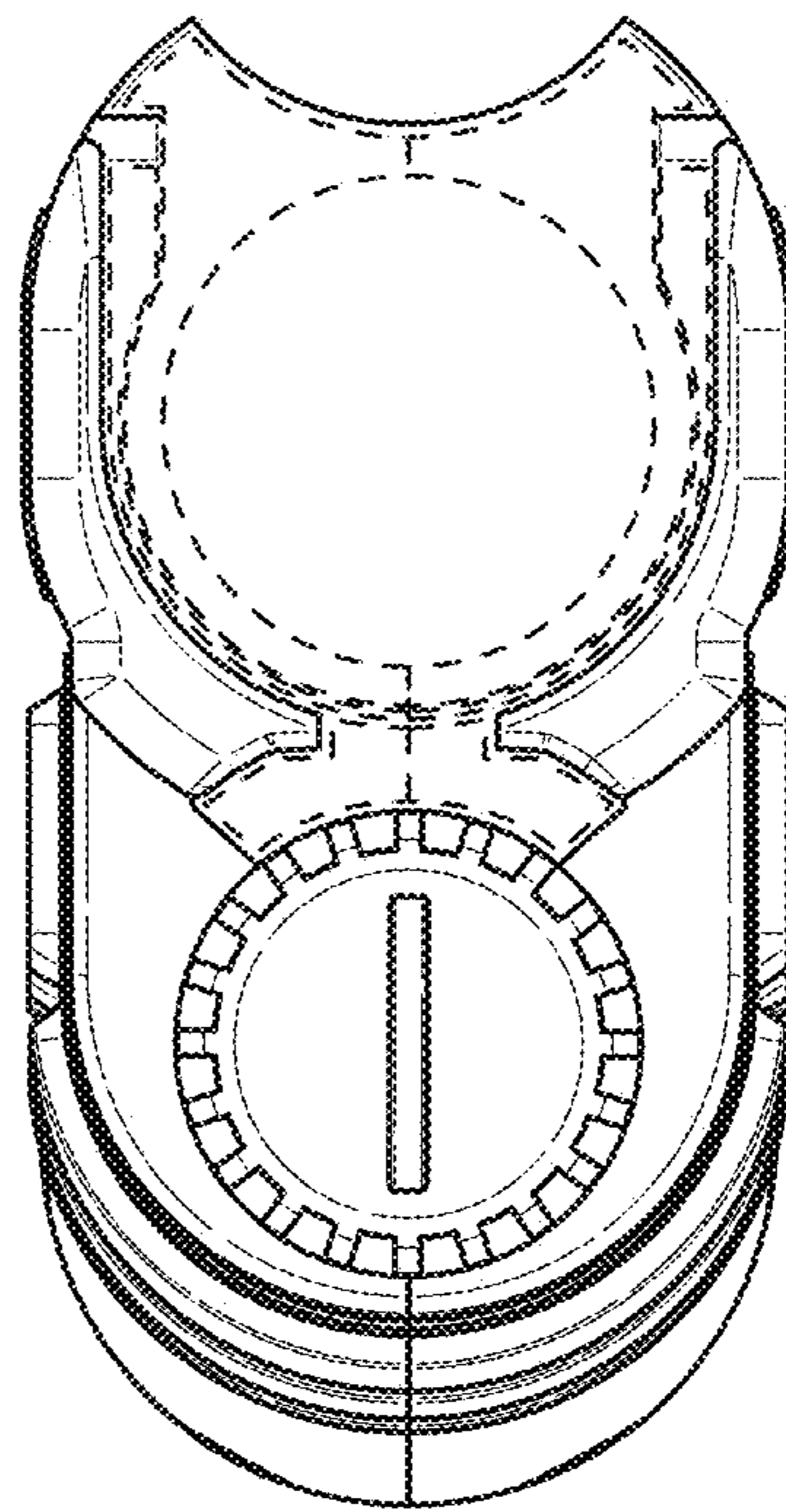


FIG. 5

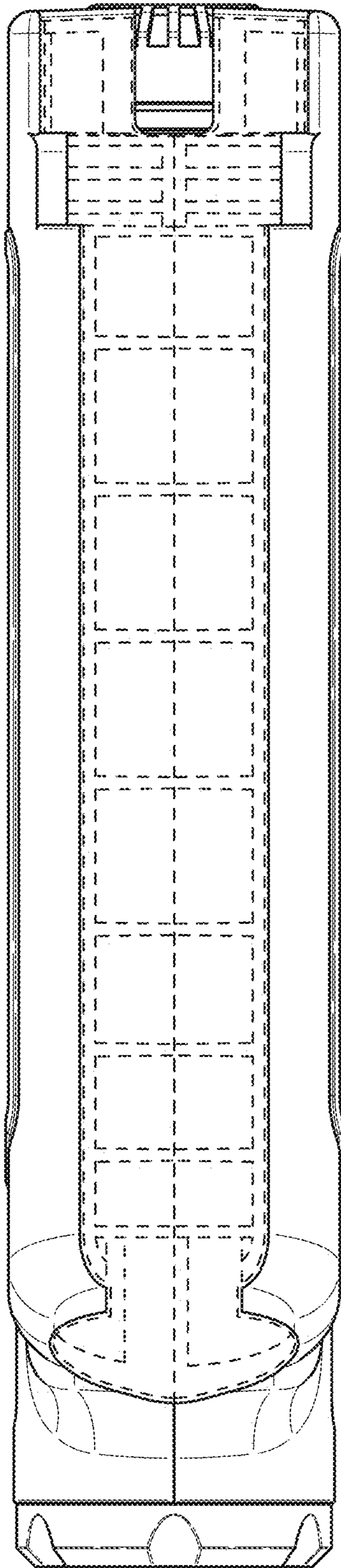


FIG. 6

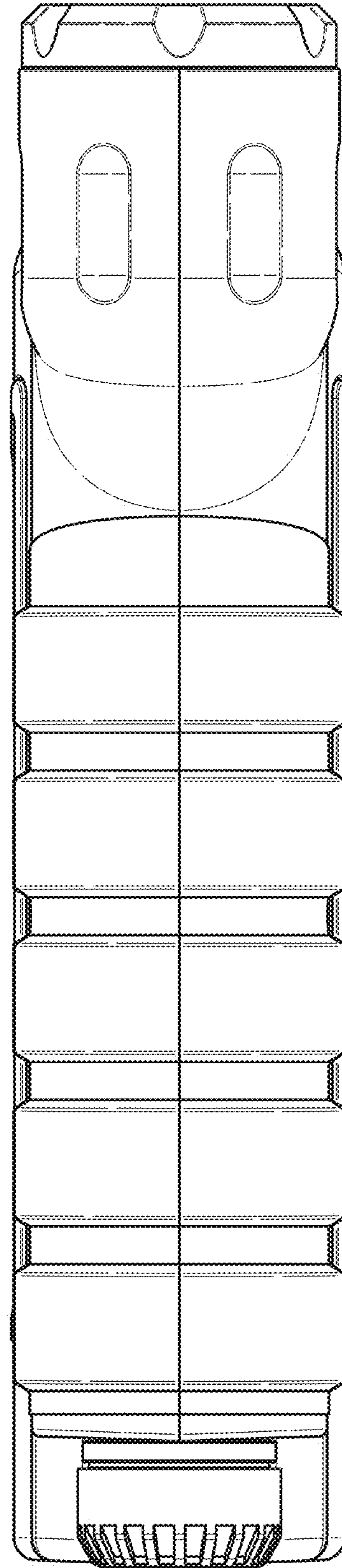


FIG. 7

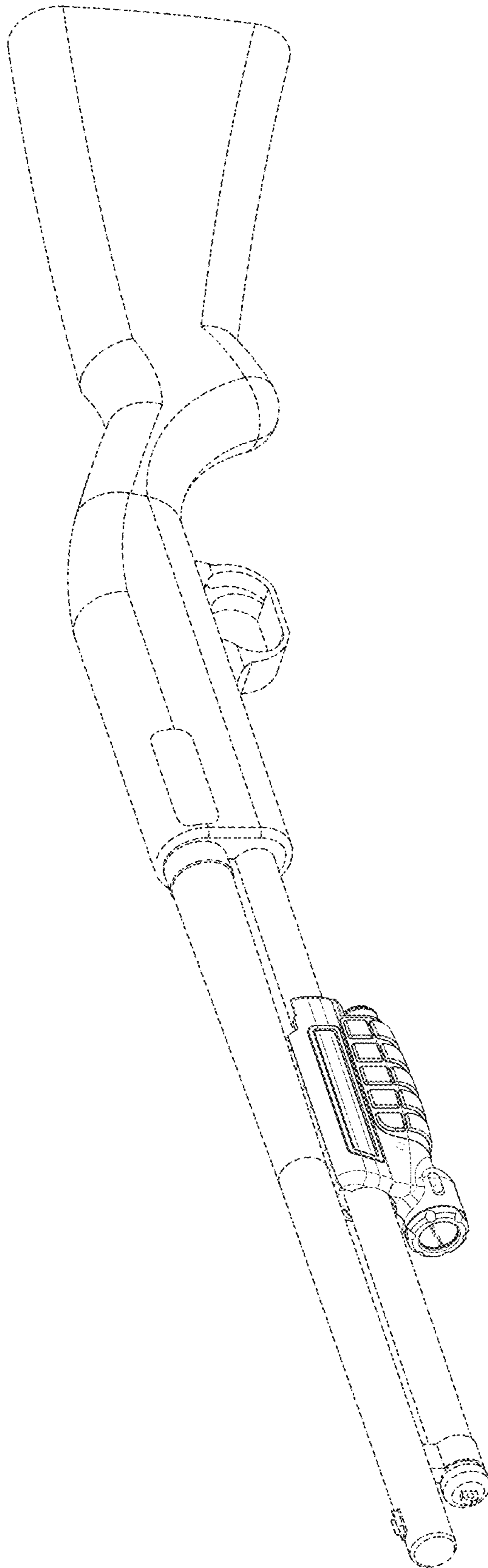


FIG. 8