

US00D969952S

(12) **United States Design Patent** (10) **Patent No.:** **US D969,952 S**  
**Naito** (45) **Date of Patent:** **\*\* Nov. 15, 2022**

(54) **TOY AMUSEMENT PARK**  
(71) Applicant: **EPOCH COMPANY, LTD**, Tokyo (JP)  
(72) Inventor: **Sachiko Naito**, Tokyo (JP)  
(73) Assignee: **EPOCH COMPANY, LTD.**, Tokyo (JP)  
(\*\*) Term: **15 Years**

D852,897 S \* 7/2019 Naito ..... D21/510  
D856,433 S \* 8/2019 Naito ..... D21/530  
D902,326 S \* 11/2020 Kamiyama ..... D21/530  
(Continued)

**FOREIGN PATENT DOCUMENTS**

CN 301452703 \* 1/2011  
CN 302896195 \* 7/2014  
(Continued)

**OTHER PUBLICATIONS**

Sylvanian Families Co-66 Castle, available on Amazon.co.jp, date first available Jan. 28, 2020, [site visited Mar. 22, 2022], URL: <https://www.amazon.co.jp/Sylvanian-Families-Co-66-Castle-Yumeiro/dp/B08482F6CB/> (Year: 2020).\*  
(Continued)

(21) Appl. No.: **29/733,452**  
(22) Filed: **May 1, 2020**  
(30) **Foreign Application Priority Data**  
Nov. 5, 2019 (JP) ..... 2019-024606  
(51) **LOC (13) Cl.** ..... **21-01**  
(52) **U.S. Cl.**  
USPC ..... **D21/831; D21/506**  
(58) **Field of Classification Search**  
USPC ..... D21/506, 507, 510, 511, 530, 828, 829, D21/830, 831  
CPC ... A63G 1/00; A63G 1/12; A63G 1/24; A63G 1/48; A63G 27/00; A63H 33/42; A63H 33/00  
See application file for complete search history.

*Primary Examiner* — Dana K Weiland  
*Assistant Examiner* — Emily Anna Saunders  
(74) *Attorney, Agent, or Firm* — Fitzgerald IP Law; John K Fitzgerald, Esq.

(57) **CLAIM**

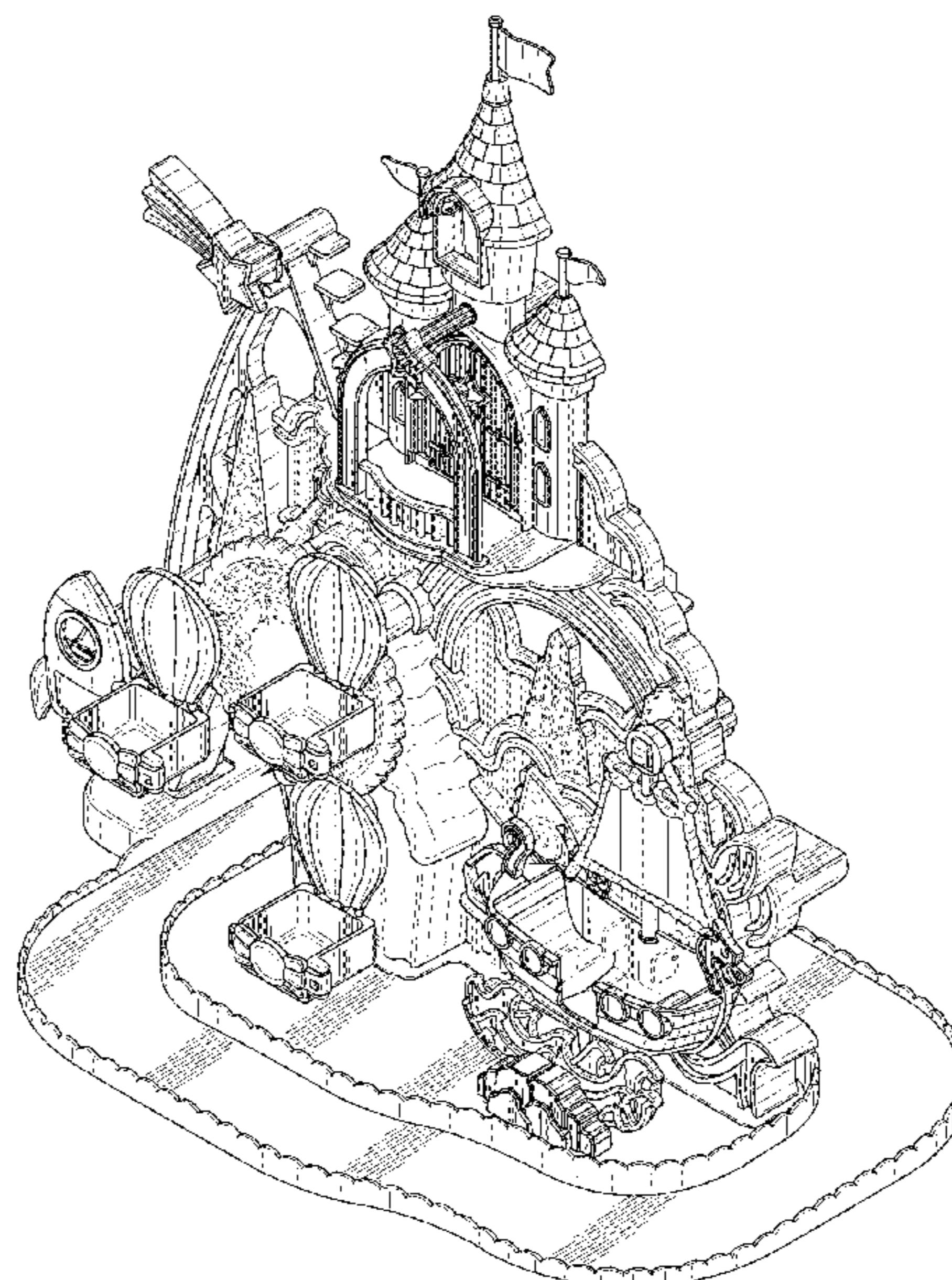
The ornamental design for a toy amusement park, as shown and described.

**DESCRIPTION**

FIG. 1 is a perspective view of portions of the front, top, and right sides of a toy amusement park showing my new design; FIG. 2 is a perspective view of portions of the rear, top, and right sides thereof; FIG. 3 is a front view thereof; FIG. 4 is a rear view thereof; FIG. 5 is a top plan view thereof; FIG. 6 is a right side view thereof; and, FIG. 7 is a left side view thereof.  
The broken lines depict portions of the toy amusement park that form no part of the claimed design.

(56) **References Cited**  
**U.S. PATENT DOCUMENTS**  
D228,777 S \* 10/1973 Mueller ..... D21/510  
D241,871 S \* 10/1976 Reiling ..... D21/510  
D295,426 S \* 4/1988 Holden ..... D21/474  
D333,328 S \* 2/1993 Aker ..... D21/510  
D350,995 S \* 9/1994 Baxter ..... D21/510  
D554,202 S \* 10/2007 Knight ..... D21/509  
D554,203 S \* 10/2007 Knight ..... D21/510  
D577,952 S \* 10/2008 Goode ..... D6/610

**1 Claim, 7 Drawing Sheets**



(56)

**References Cited**

U.S. PATENT DOCUMENTS

2004/0176012 A1\* 9/2004 Hirtz ..... G09B 25/04  
446/476  
2006/0014472 A1\* 1/2006 Spielberg ..... A63H 3/52  
446/477  
2015/0157952 A1\* 6/2015 Yeung ..... A63H 33/42  
446/478

FOREIGN PATENT DOCUMENTS

CN 303096355 \* 2/2015  
CN 304387414 \* 12/2017  
JP D1367724 \* 8/2009

OTHER PUBLICATIONS

Polly Pocket Rainbow Funland Theme Park, available on Amazon.com, date first available May 28, 2021, [site visited Mar. 22, 2022], URL: <https://www.amazon.com/Mattel-Unicorns-Accessories-Dispensing-Surprises/dp/B08V1QC6J3/> (Year: 2021).\*

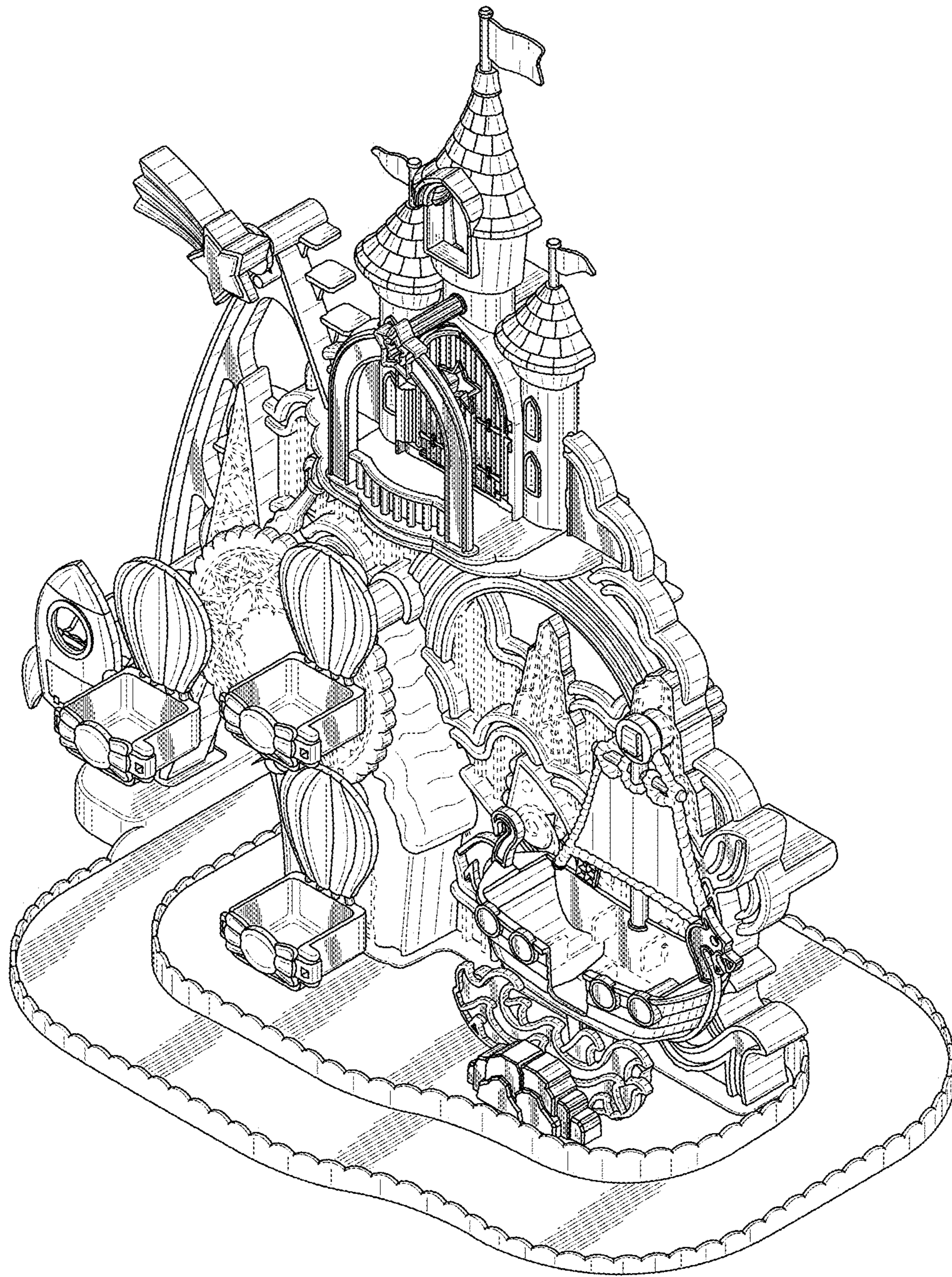
Calico Critters Baby Castle Playground, available on Amazon.com, date first available Dec. 21, 2017, [site visited Mar. 22, 2022], URL: <https://www.amazon.com/Calico-Critters-Baby-Castle-Playground/dp/B078J33PKB/> (Year: 2017).\*

Calico Critters Baby Castle Nursery, available on Amazon.com, date first available Dec. 21, 2017, [site visited Mar. 22, 2022], URL: <https://www.amazon.com/Calico-Critters-Baby-Castle-Nursery/dp/B078HSMJ1F/> (Year: 2017).\*

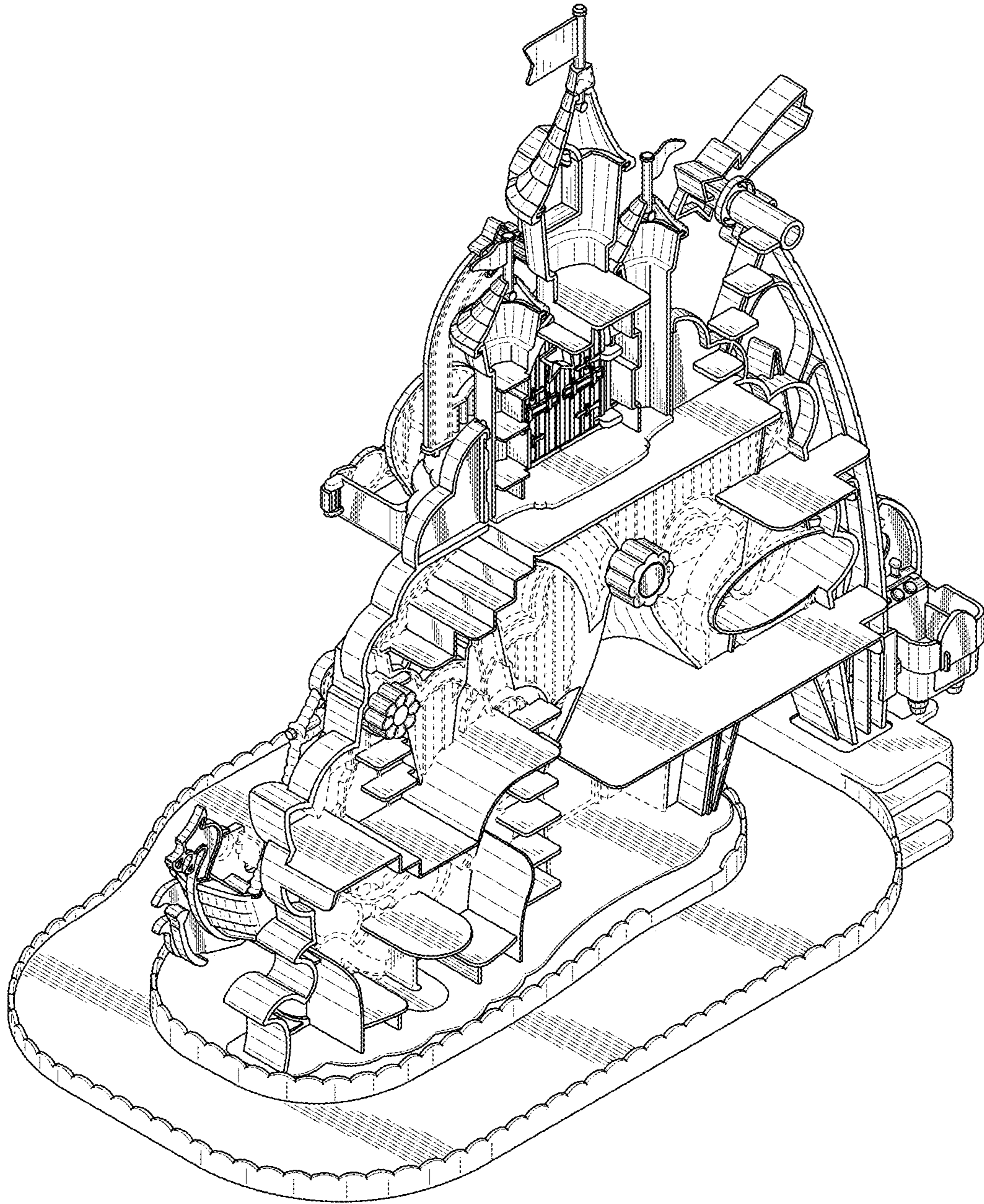
Pinypon Parque de Atracciones, available on Youtube.com, date posted Feb. 25, 2016, [site visited Mar. 22, 2022], URL: <https://www.youtube.com/watch?v=ZgazCVwkLUA> (Year: 2016).\*

\* cited by examiner

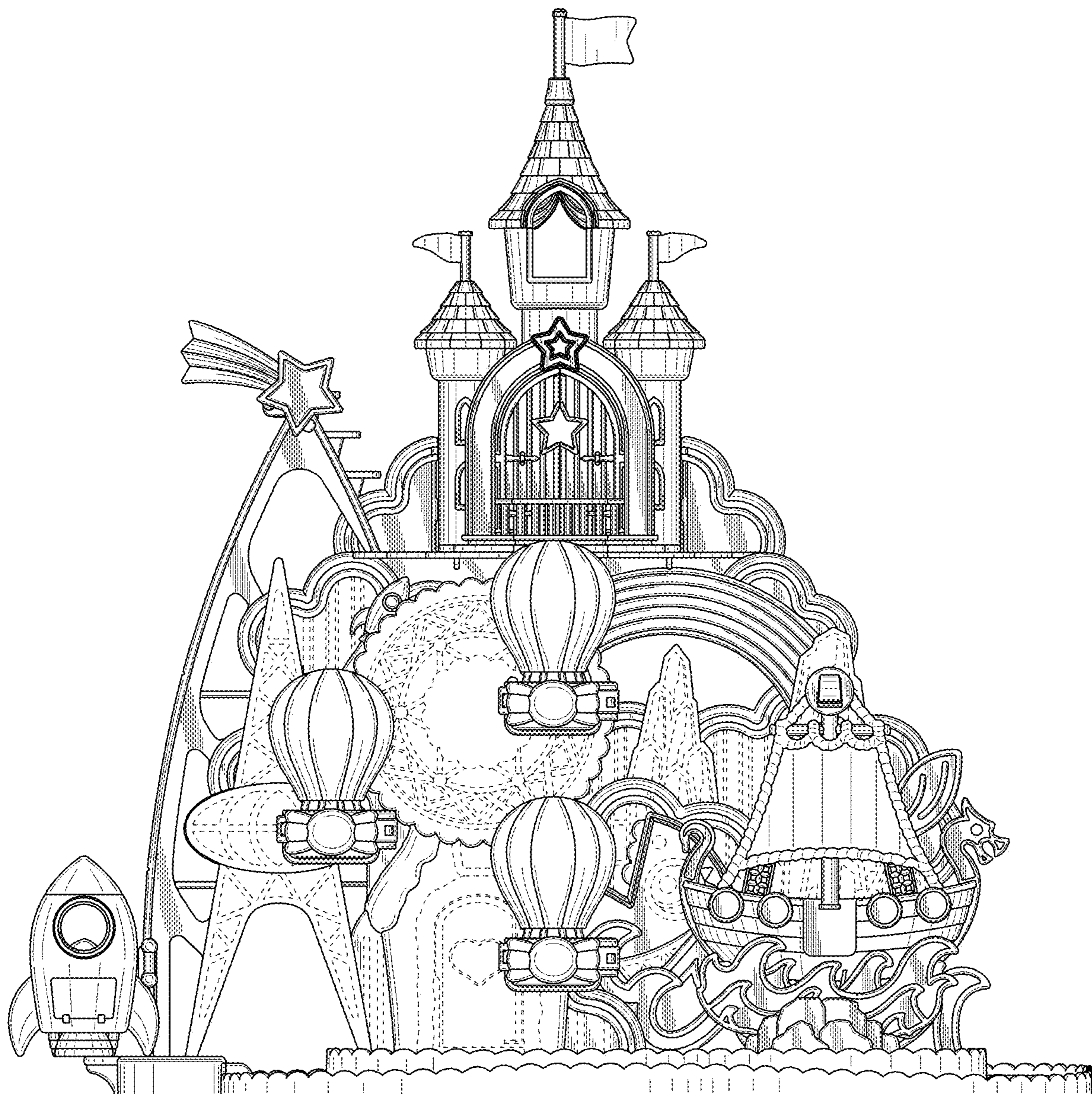
**FIG. 1**



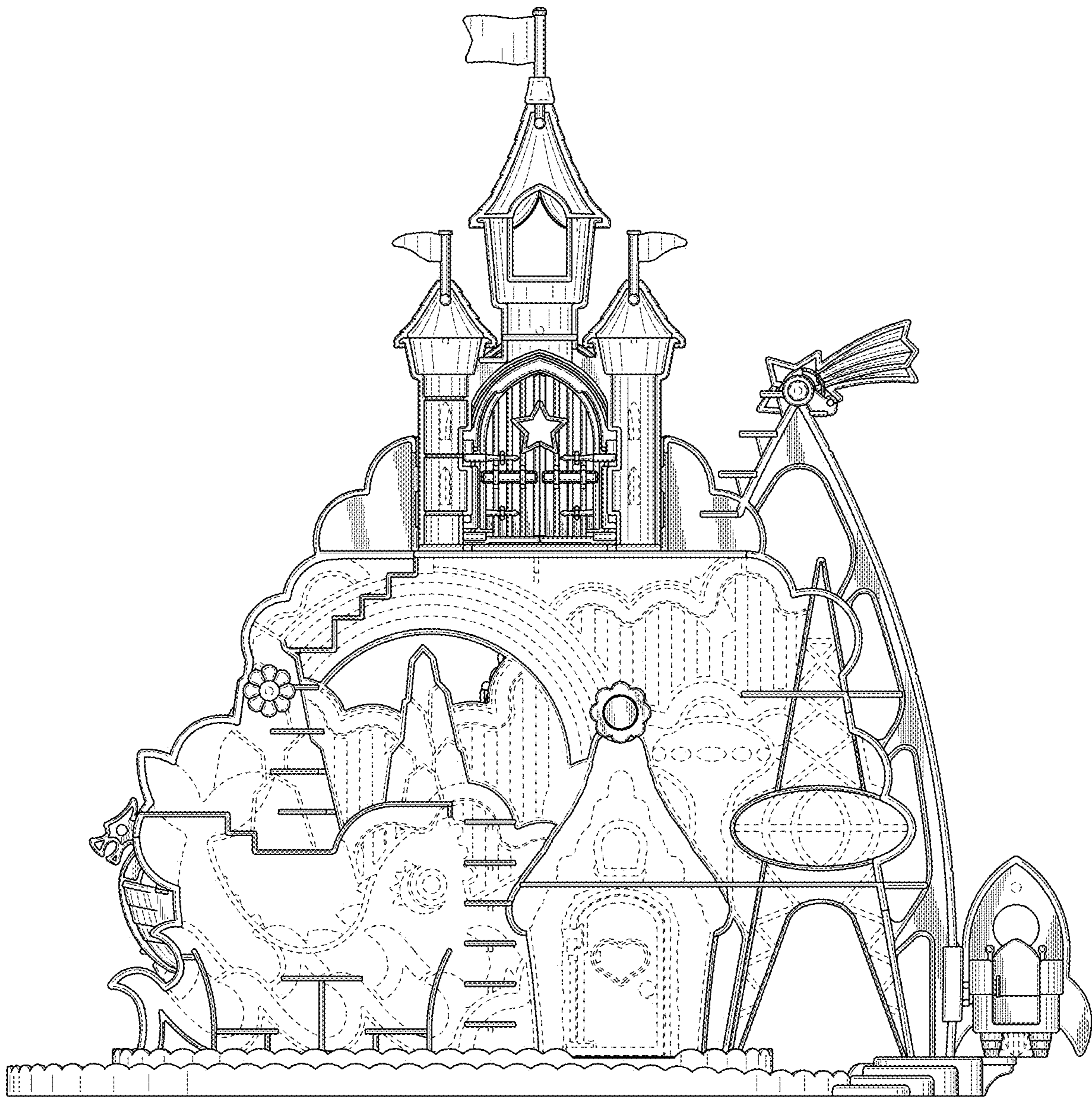
**FIG. 2**



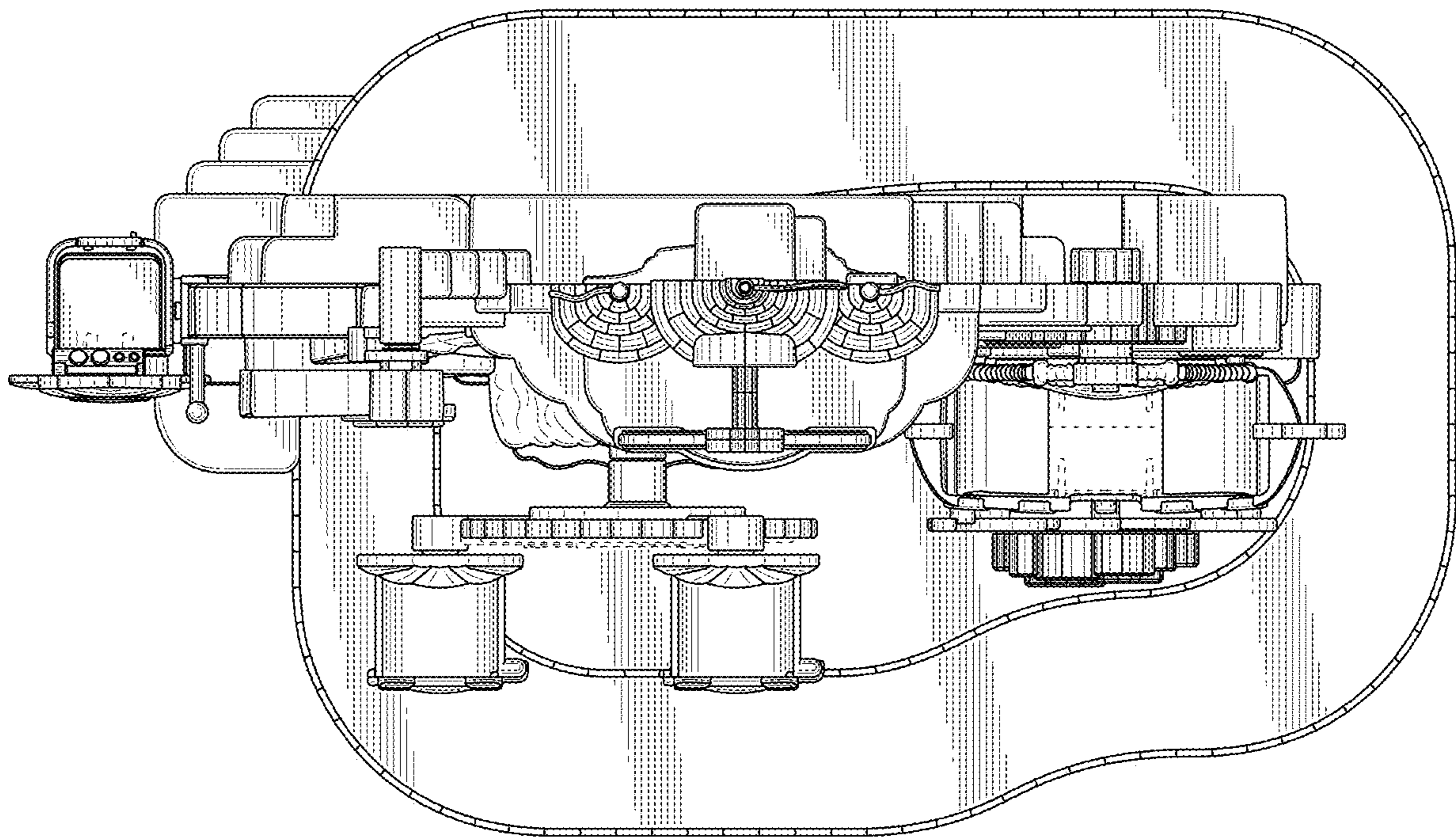
**FIG. 3**



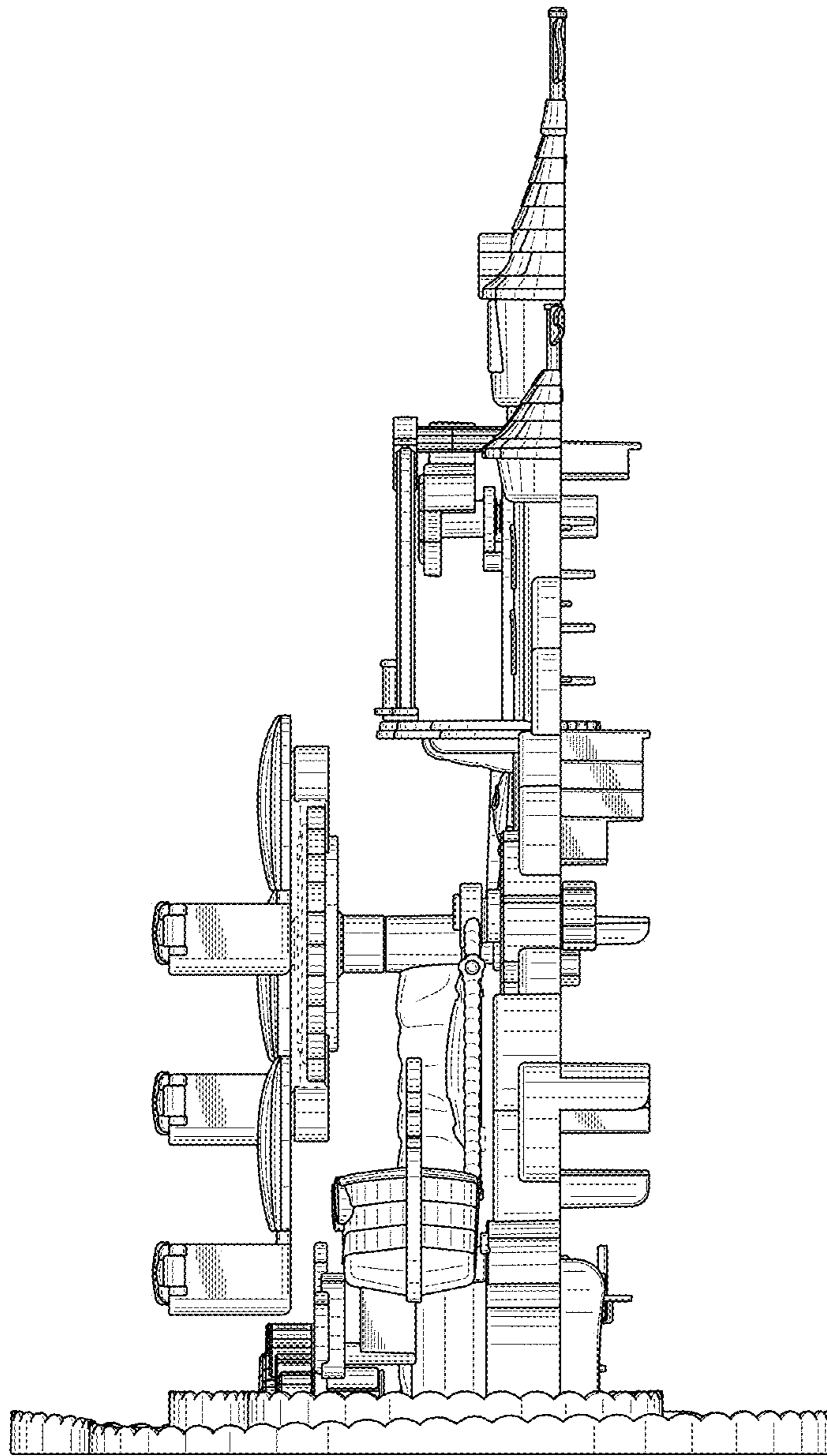
**FIG. 4**



**FIG. 5**



**FIG. 6**





**FIG. 7**

