



(12) **United States Design Patent** (10) **Patent No.:** **US D969,951 S**  
**Engler et al.** (45) **Date of Patent:** **\*\* Nov. 15, 2022**

(54) **INFLATABLE HOOP**

(71) Applicant: **P&P IMPORTS LLC**, Irvine, CA (US)

(72) Inventors: **Peter Engler**, Newport Beach, CA (US); **Peter Tanoury**, Newport Beach, CA (US); **Hyun Yoon**, Anaheim, CA (US)

(\*\*) Term: **15 Years**

(21) Appl. No.: **29/762,125**

(22) Filed: **Dec. 15, 2020**

(51) **LOC (13) Cl.** ..... **21-02**

(52) **U.S. Cl.**  
 USPC ..... **D21/811**; D21/701; D21/835

(58) **Field of Classification Search**  
 USPC ..... D21/811, 814, 835, 781, 699, 701-705  
 CPC ..... A63B 63/00; A63B 63/083; A63B 67/00;  
 A63B 67/007; A63B 2225/62  
 See application file for complete search history.

D839,983 S \* 2/2019 Cirjak ..... D21/815  
 2002/0098922 A1 \* 7/2002 Chauvet ..... A63B 67/002  
 473/485  
 2005/0049090 A1 \* 3/2005 Chen ..... A63B 63/083  
 473/479

**OTHER PUBLICATIONS**

Inflatable hoop google search; googl.com; May 27, 2022.\*  
 Inflatable hoop amazon search; amazon.com; May 27, 2022.\*  
 Weanas Inflatable Pool Float Set Volleyball Net and Basketball  
 Hoops Floating Pool Swimming Game Toys Water Inflatable Sports  
 Set for Kids (Dark Blue), Nov. 18, 2020, p. 1, Amazon.com.

\* cited by examiner

*Primary Examiner* — Mitchell I. Siegel  
 (74) *Attorney, Agent, or Firm* — Casey H. Kempner;  
 Siamak S. Hefazi

(57) **CLAIM**

The ornamental design for an inflatable hoop, as shown and described.

**DESCRIPTION**

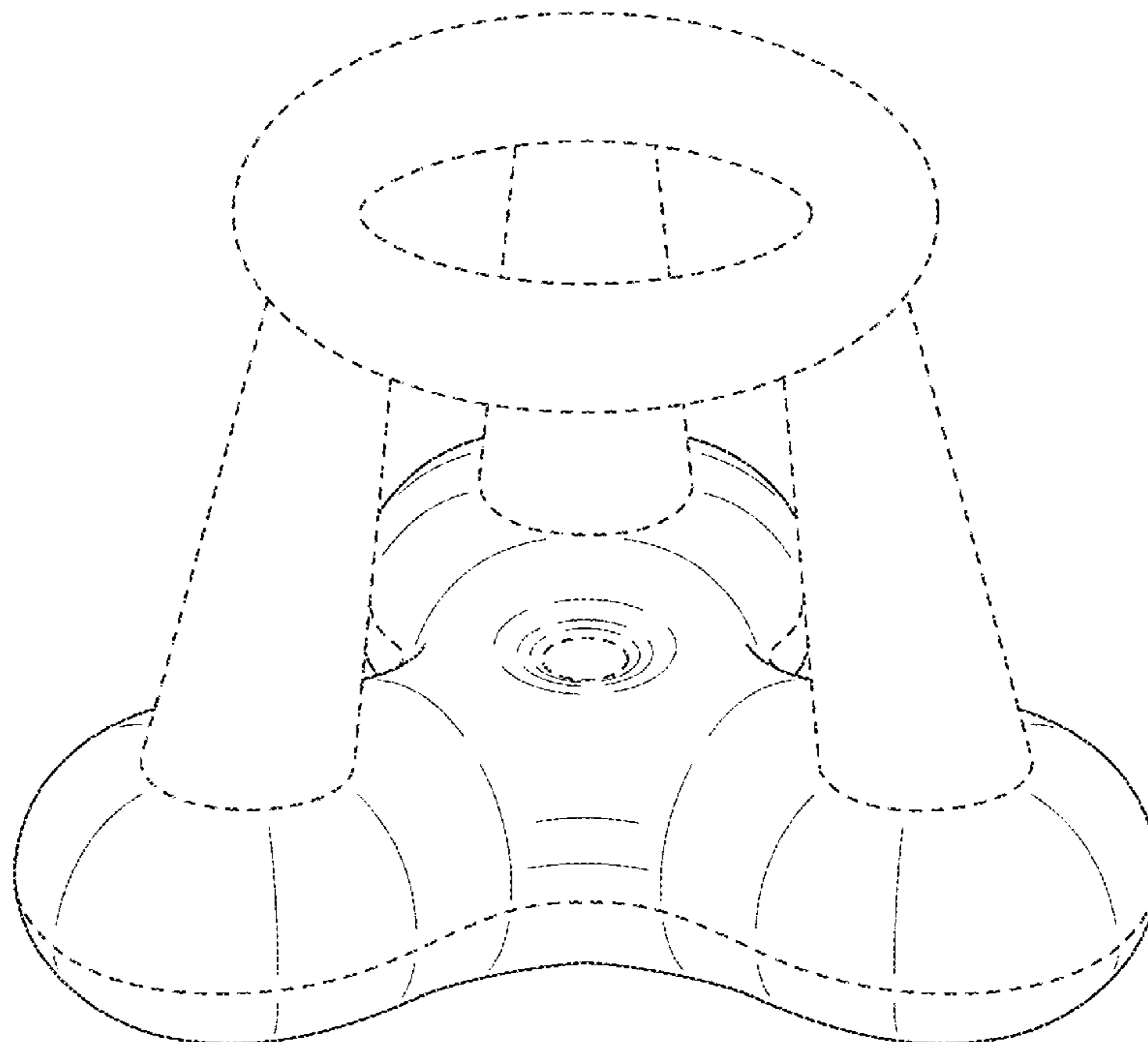
FIG. 1 is a perspective view of an inflatable hoop showing the claimed design;  
 FIG. 2 is a right-side elevational view thereof, the left-side elevational view being a mirror image thereof;  
 FIG. 3 is a front elevational view thereof;  
 FIG. 4 is a back elevational view thereof;  
 FIG. 5 is a top plan view thereof; and,  
 FIG. 6 is a bottom plan view thereof.  
 Broken lines in the figures show portions of the inflatable hoop that form no part of the claimed design.

**1 Claim, 6 Drawing Sheets**

(56) **References Cited**

**U.S. PATENT DOCUMENTS**

D353,641 S \* 12/1994 Liu ..... D21/702  
 D360,667 S \* 7/1995 Liu ..... D21/703  
 D410,713 S \* 6/1999 Sherwood ..... D21/699  
 D410,714 S \* 6/1999 Sherwood ..... D21/701  
 6,629,899 B2 \* 10/2003 Chauvet ..... A63B 63/08  
 473/472  
 6,918,846 B2 \* 7/2005 Chen ..... A63B 63/083  
 D21/699  
 RE39,402 E \* 11/2006 Chauvet ..... A63B 67/002  
 473/472  
 D680,184 S \* 4/2013 O'Rourke ..... D21/835



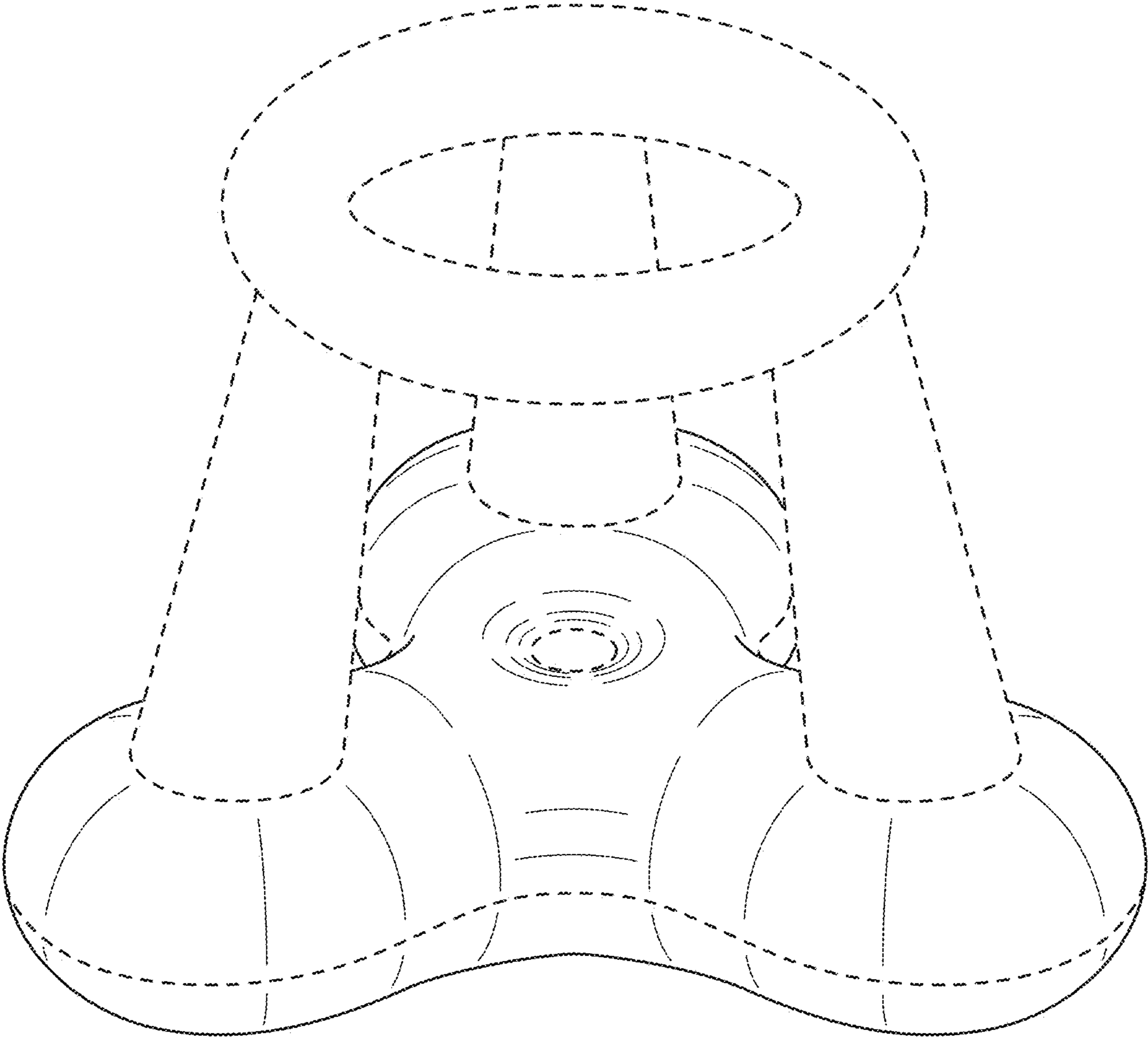


FIG. 1

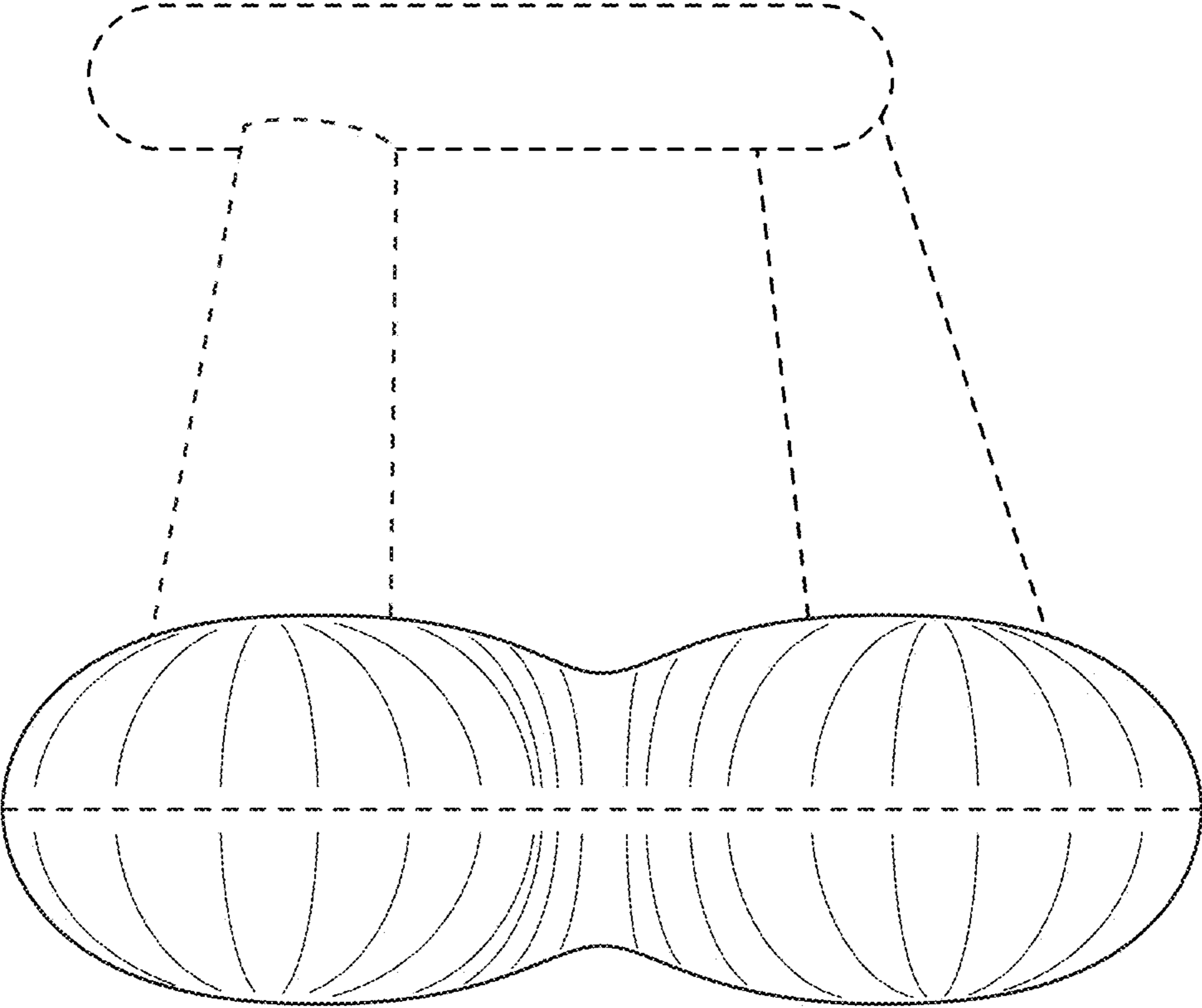


FIG. 2

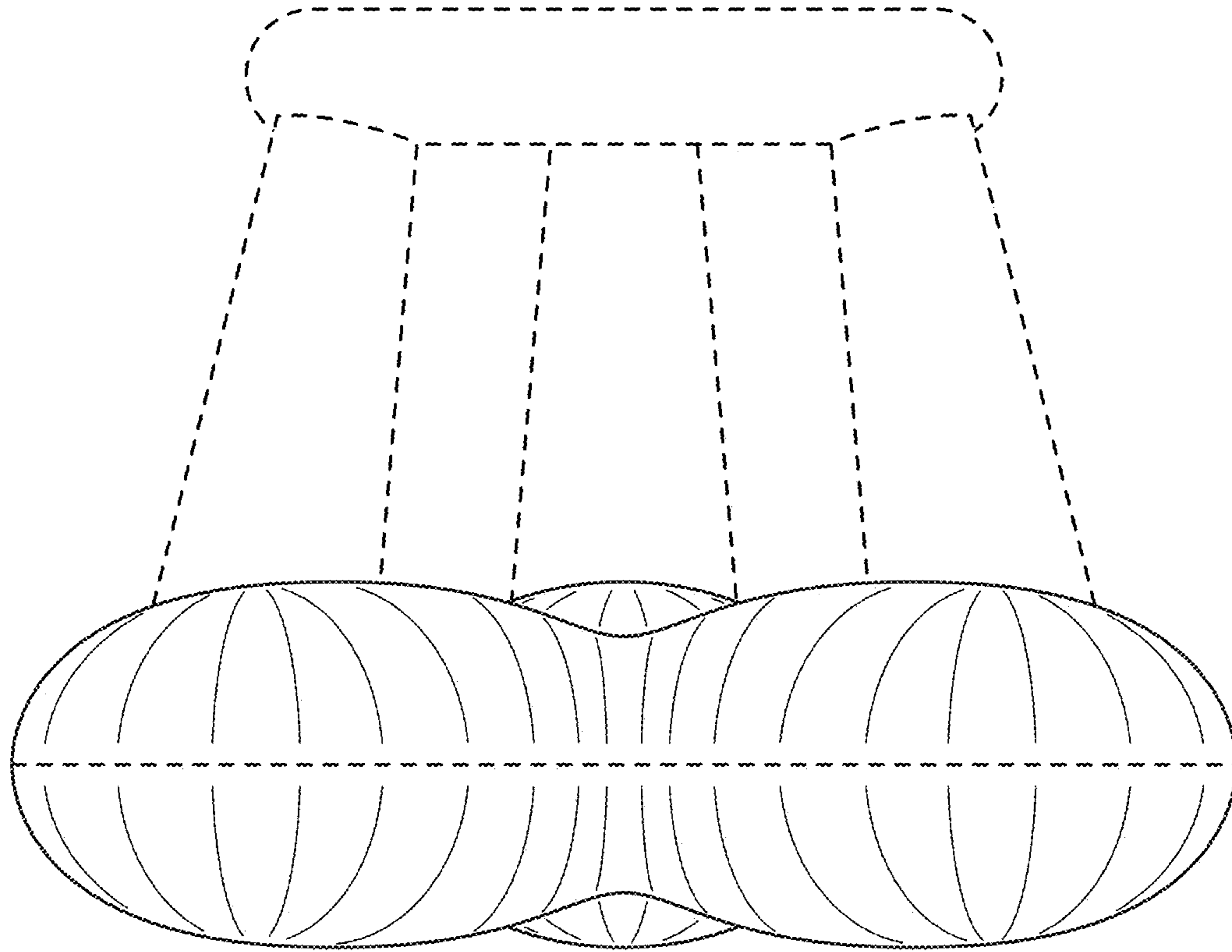


FIG. 3

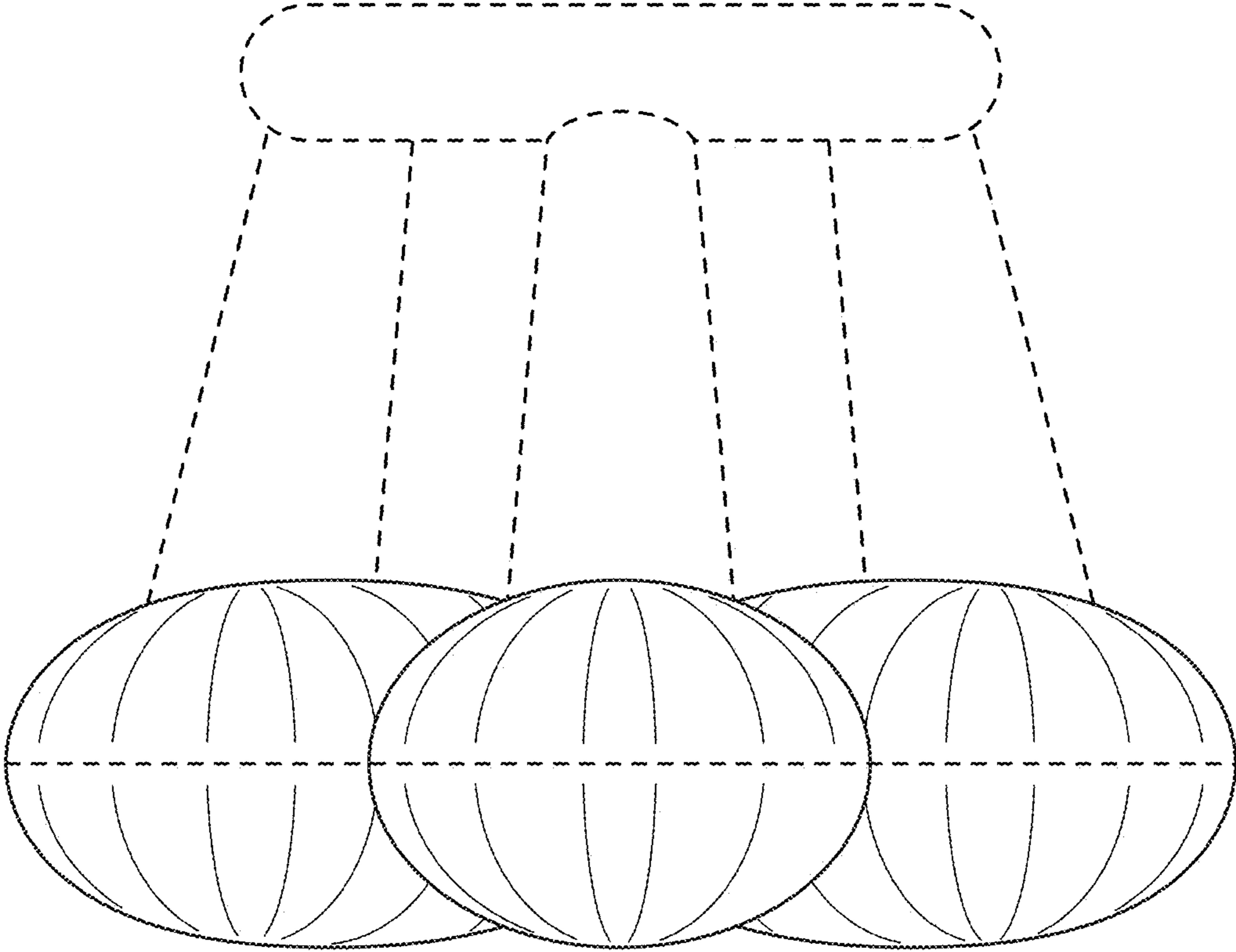


FIG. 4

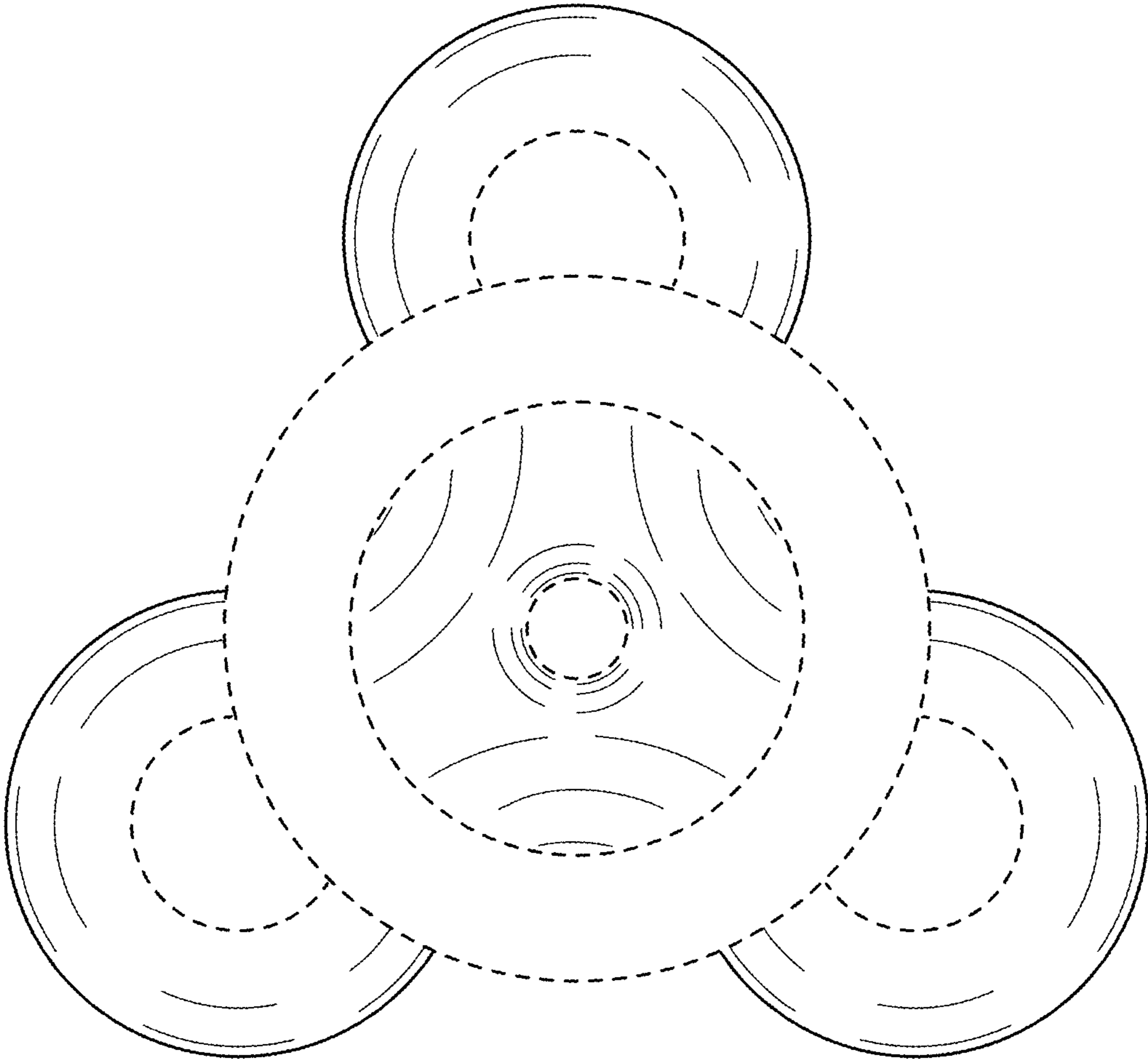


FIG. 5

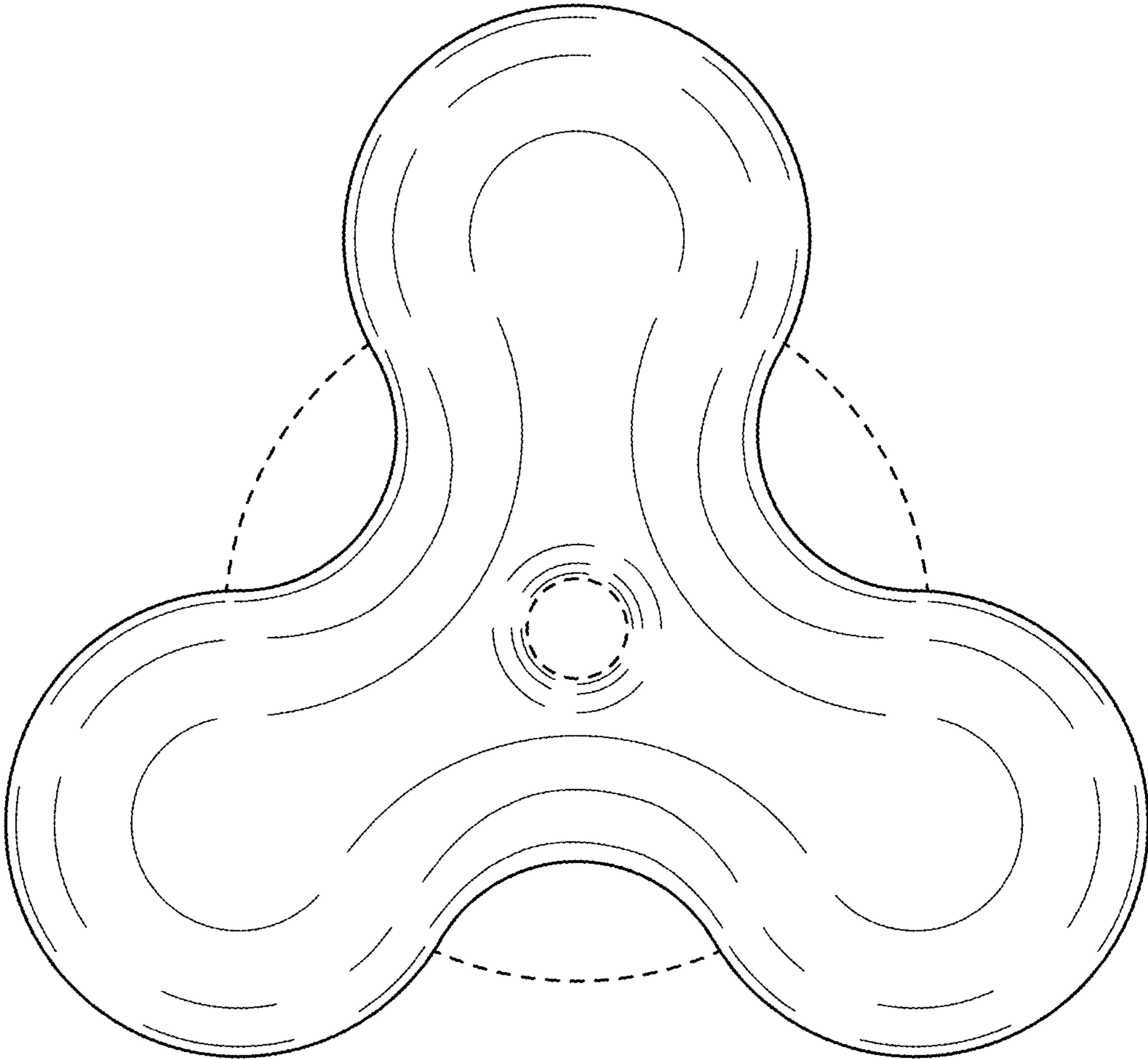


FIG. 6