



US00D969949S

(12) **United States Design Patent** (10) **Patent No.:** **US D969,949 S**
Cameron (45) **Date of Patent:** **** Nov. 15, 2022**

- (54) **DIVOT REPAIR TOOL**
- (71) Applicant: **Acushnet Company**, Fairhaven, MA (US)
- (72) Inventor: **Don T. Cameron**, Carlsbad, CA (US)
- (73) Assignee: **Acushnet Company**, Fairhaven, MA (US)
- (**) Term: **15 Years**
- (21) Appl. No.: **29/768,143**
- (22) Filed: **Jan. 27, 2021**
- (51) **LOC (13) Cl.** **21-02**
- (52) **U.S. Cl.**
USPC **D21/793**
- (58) **Field of Classification Search**
USPC D21/793, 794, 789, 319; D8/1, 4, 14, 18,
D8/79, 80, 47; D7/664, 653
See application file for complete search history.

- (56) **References Cited**
U.S. PATENT DOCUMENTS
- 3,763,515 A * 10/1973 Voss A63B 57/50
15/236.08
- 4,815,778 A 3/1989 Hoch
- 5,143,371 A * 9/1992 Strahan A63B 57/00
473/285
- D383,516 S 9/1997 Stevens
- D401,379 S * 11/1998 Goldoftas D21/793
- D422,664 S * 4/2000 Tate D21/793
- D424,151 S * 5/2000 Miura D21/793
- D434,825 S * 12/2000 Miura D21/793
- D439,626 S 3/2001 Lindsey
- 6,546,981 B2 4/2003 Cameron
- D493,859 S * 8/2004 Lee D21/793
- D502,242 S * 2/2005 Cameron D21/793
- D538,374 S * 3/2007 Dow D21/793
- D569,472 S * 5/2008 Wang D21/793

- D666,265 S * 8/2012 Solheim D21/793
- D681,761 S * 5/2013 Nguyen D21/793
- D698,884 S * 2/2014 Otsubo D21/793
- D747,935 S * 1/2016 Schock D7/642
- D828,887 S * 9/2018 Kenny D21/793
- 2007/0149325 A1 * 6/2007 Vargas A63B 57/353
473/286

(Continued)

OTHER PUBLICATIONS

One shot golf, announced 2020 [online], [site visited May 4, 2022]. Available on internet, URL: [https://www.amazon.com/ONESHOTGOLF-Aluminum-Divot-Pivot-Replicant/dp/B08LN2ZJLP/ref \(Year: 2020\).](https://www.amazon.com/ONESHOTGOLF-Aluminum-Divot-Pivot-Replicant/dp/B08LN2ZJLP/ref (Year: 2020).)*

(Continued)

Primary Examiner — Khawaja Anwar
Assistant Examiner — Julice Seung Eun Oum
(74) *Attorney, Agent, or Firm* — Randy K. Chang

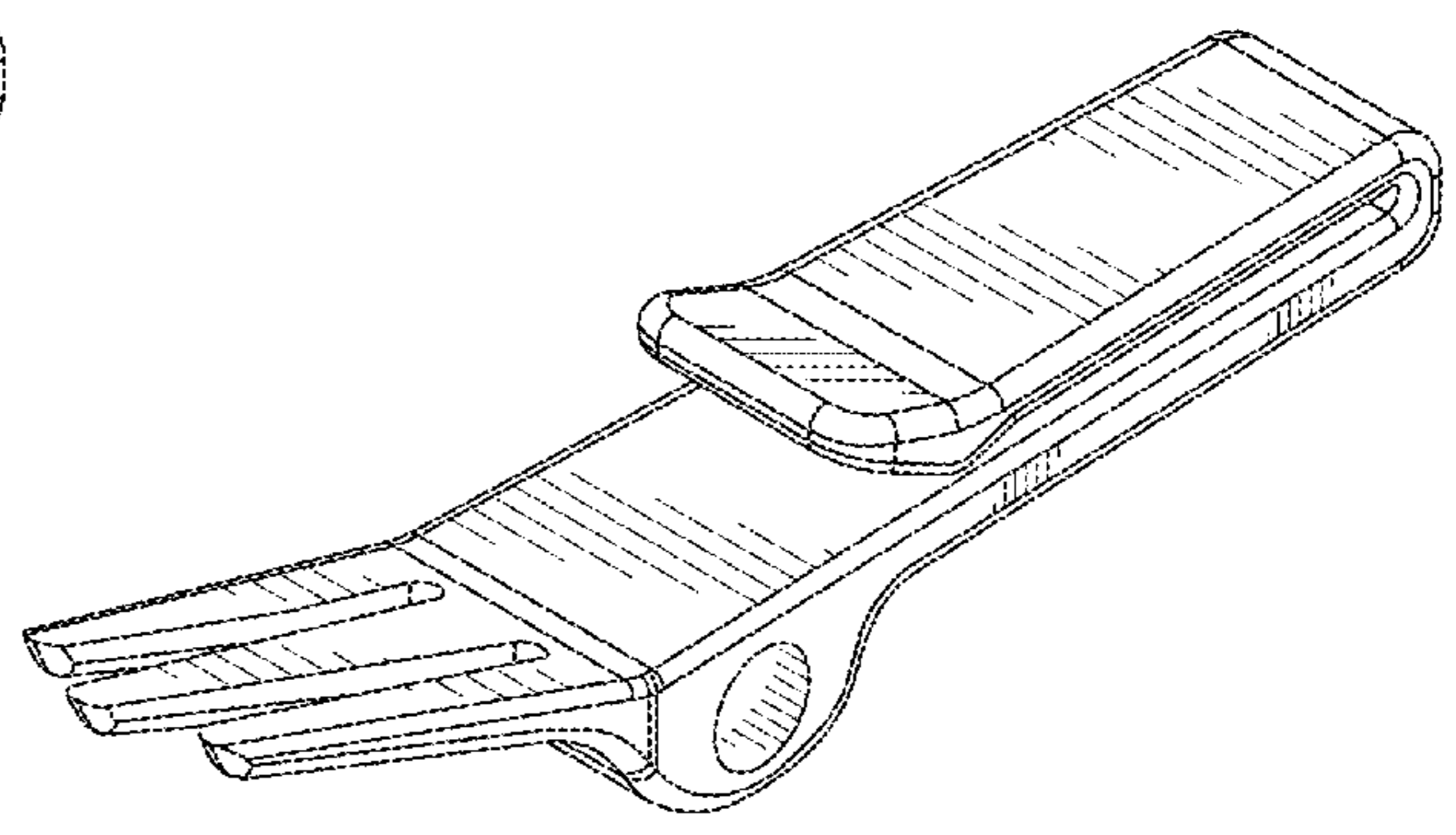
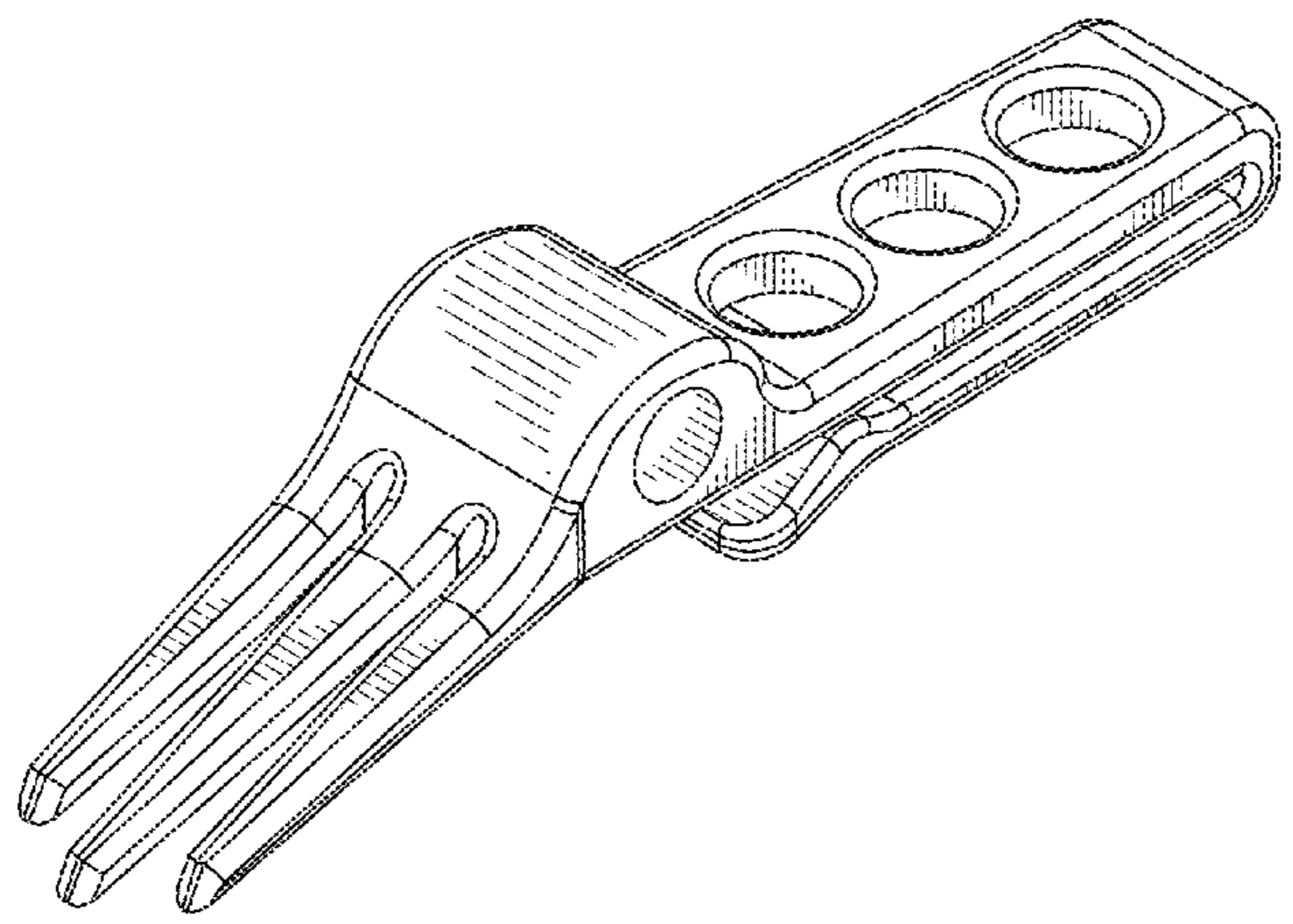
(57) **CLAIM**

The ornamental design for a divot repair tool, as shown and described.

DESCRIPTION

FIG. 1 is a perspective view of the divot repair tool thereof; FIG. 2 is a bottom perspective view thereof; FIG. 3 is a left side elevation view thereof; FIG. 4 is a right side elevation view thereof; FIG. 5 is a rear end view of the prong end thereof; FIG. 6 is a frontal end view of the clip end thereof; FIG. 7 is a bottom plan view thereof; and, FIG. 8 is a top plan view thereof. The broken lines shown are included for the purpose of illustrating unclaimed subject matter and forms no part of the claimed design.

1 Claim, 6 Drawing Sheets



(56)

References Cited

U.S. PATENT DOCUMENTS

2007/0261705 A1* 11/2007 Myers A45F 5/02
131/241
2011/0201456 A1* 8/2011 Schaaf A63B 57/50
473/408
2012/0065002 A1* 3/2012 Cameron A63B 57/50
473/408

OTHER PUBLICATIONS

Scotty cameron, announced 2019 [online], [site visited May 4, 2022]. Available on internet, URL:<https://www.amazon.com/Scotty-Cameron-Divot-Engraved-Aluminum/dp/B07SH9VZQ1/ref> (Year: 2019).*

* cited by examiner

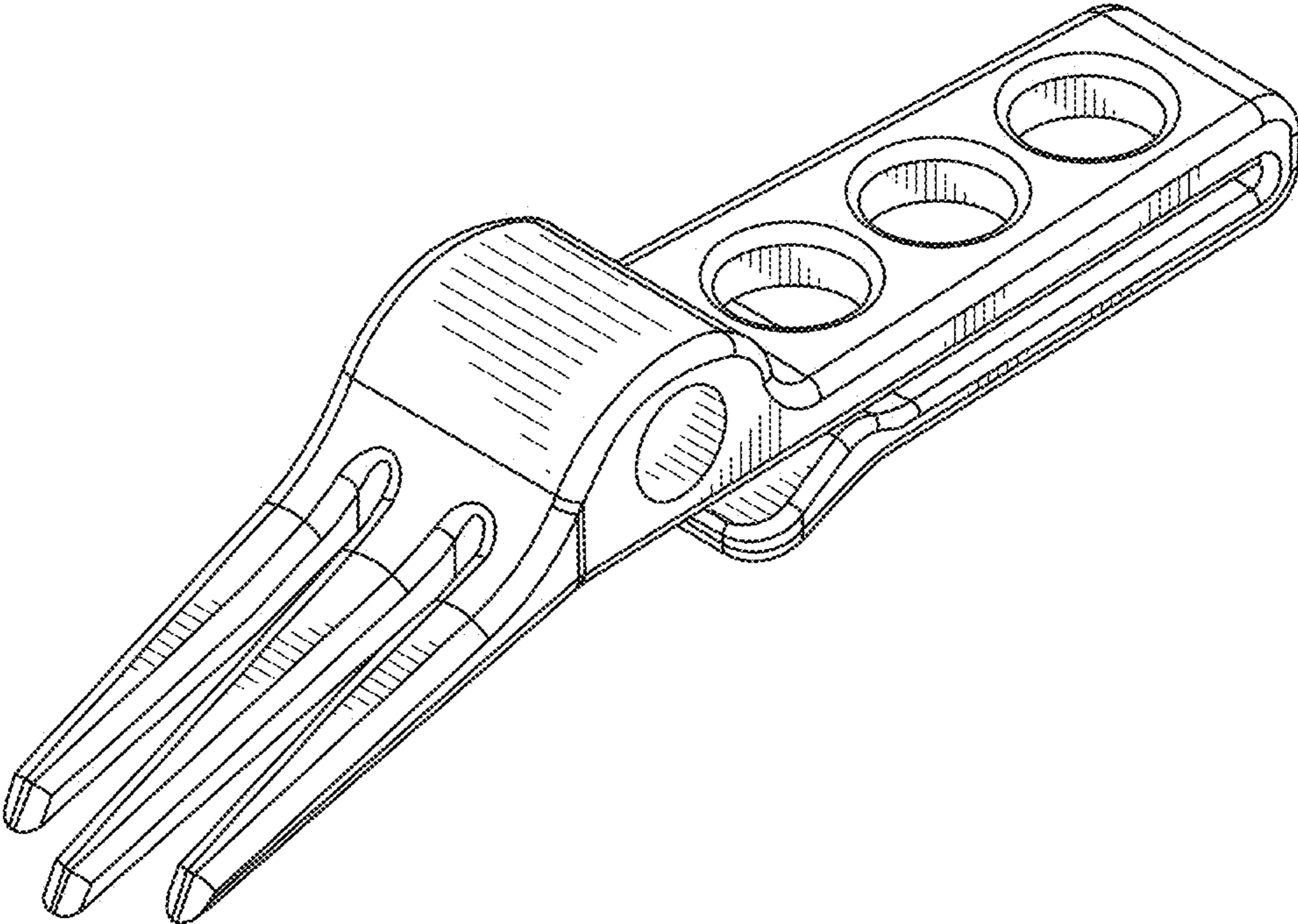


FIG. 1

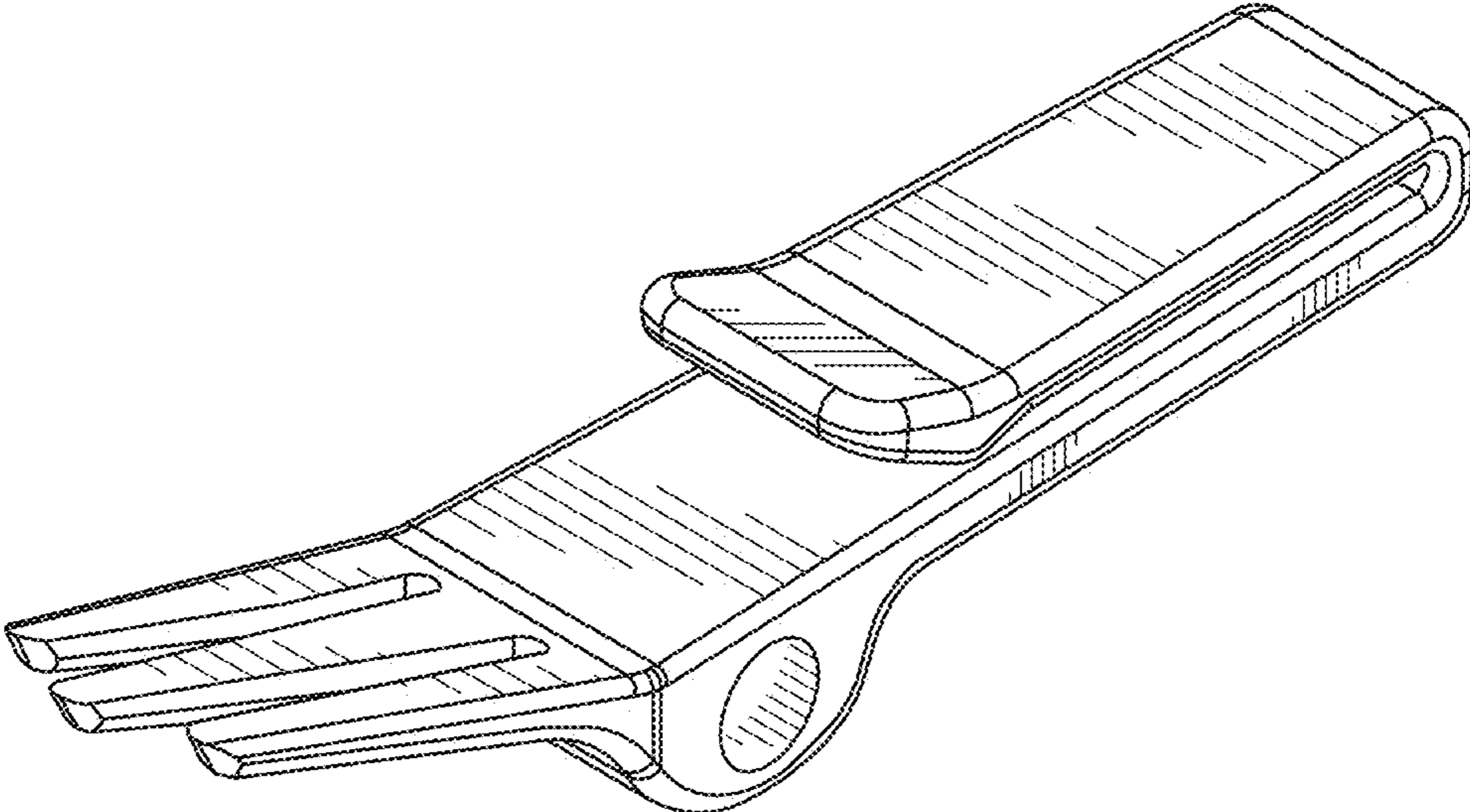


FIG. 2

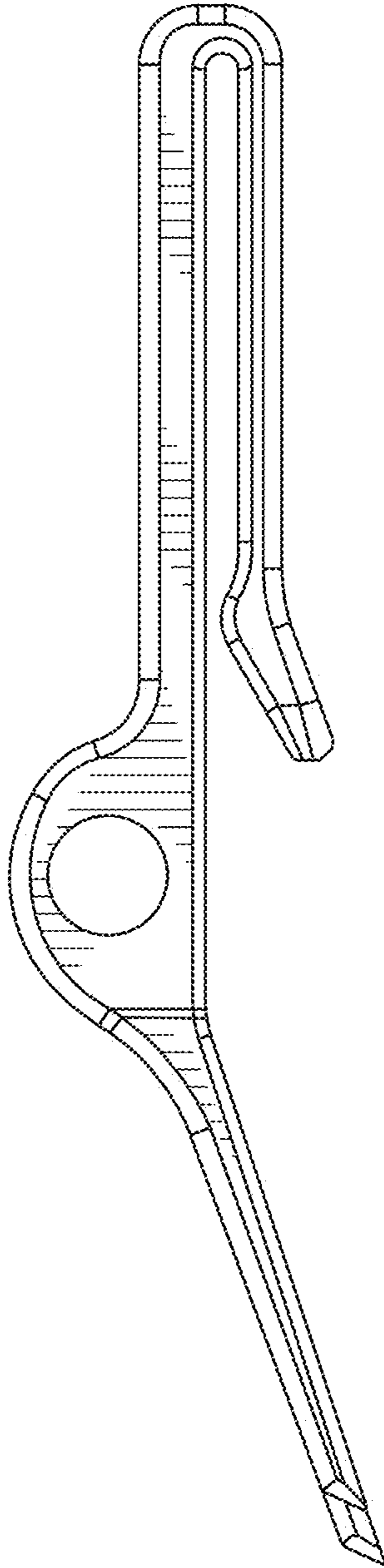


FIG. 3

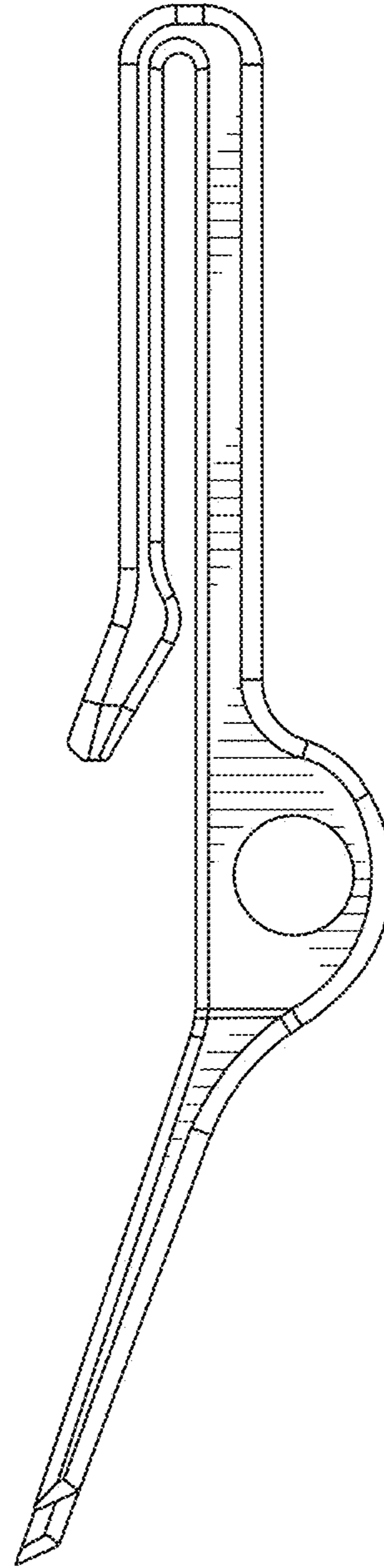


FIG. 4

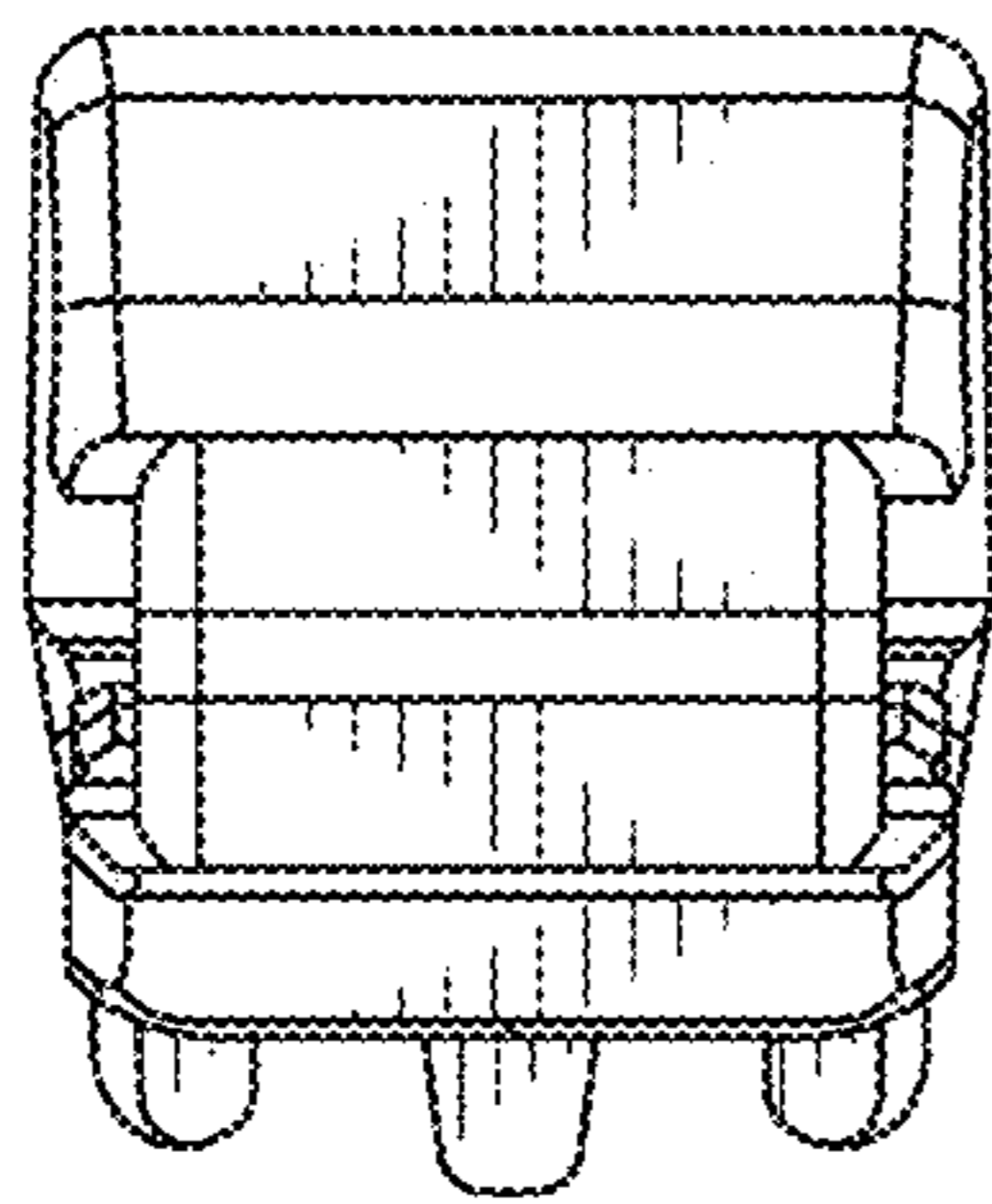


FIG. 5

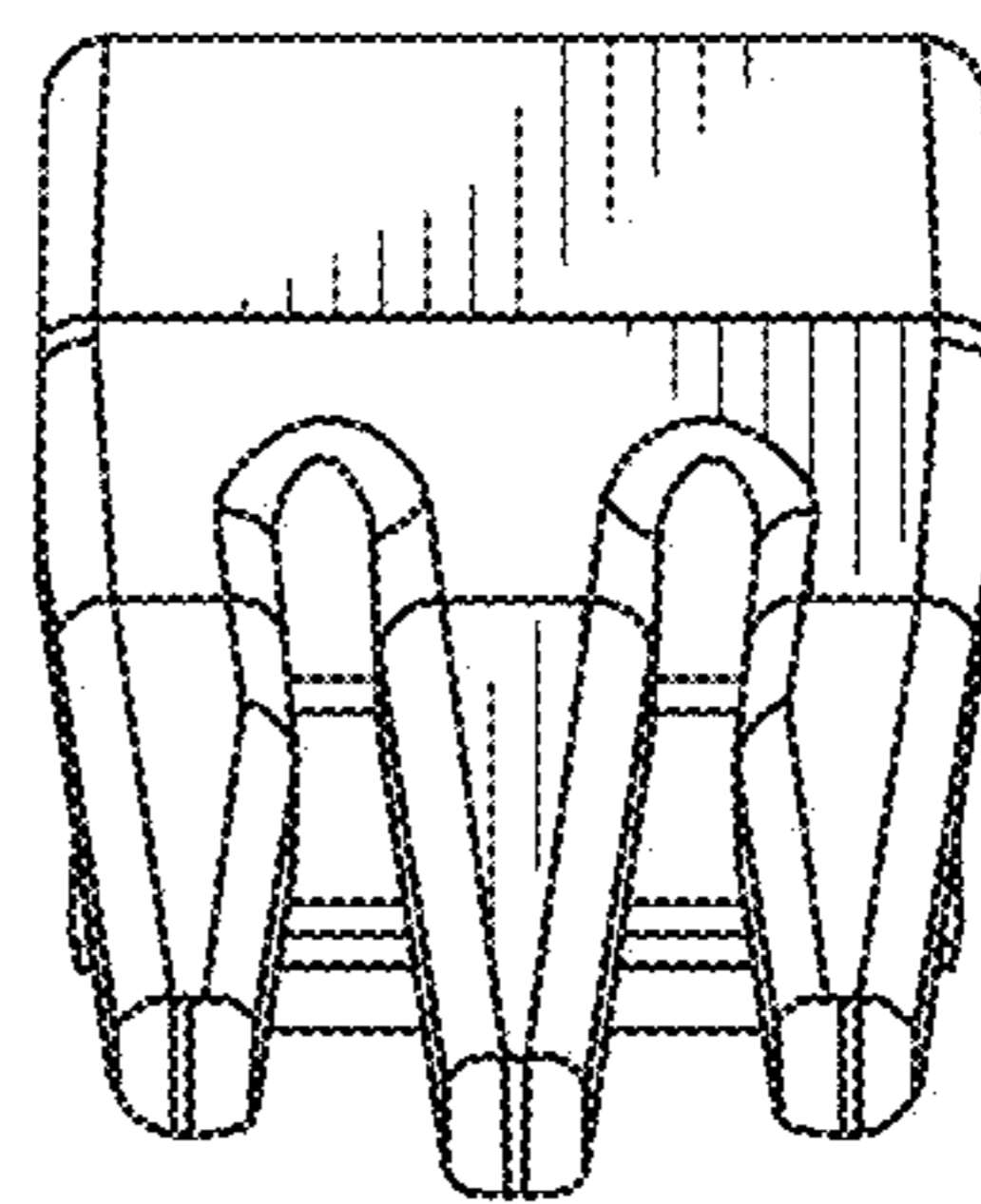


FIG. 6

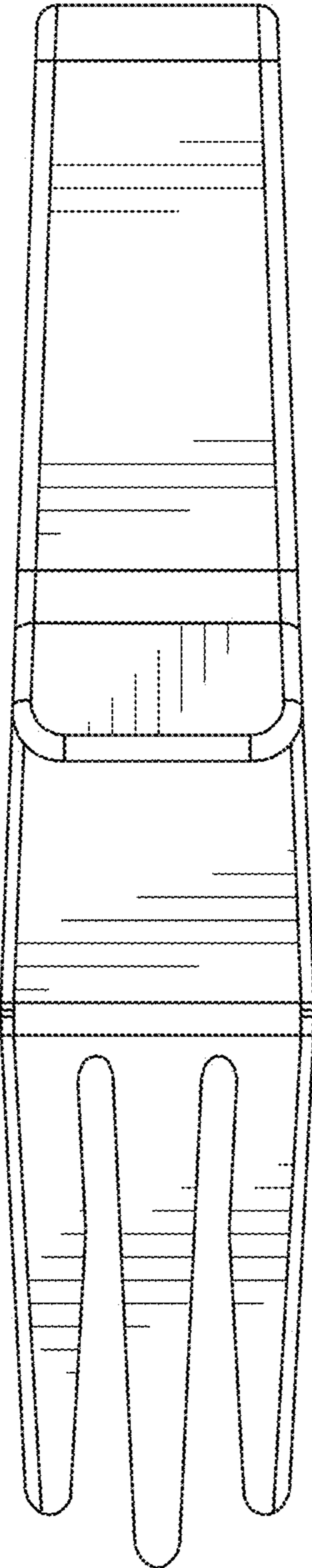


FIG. 7

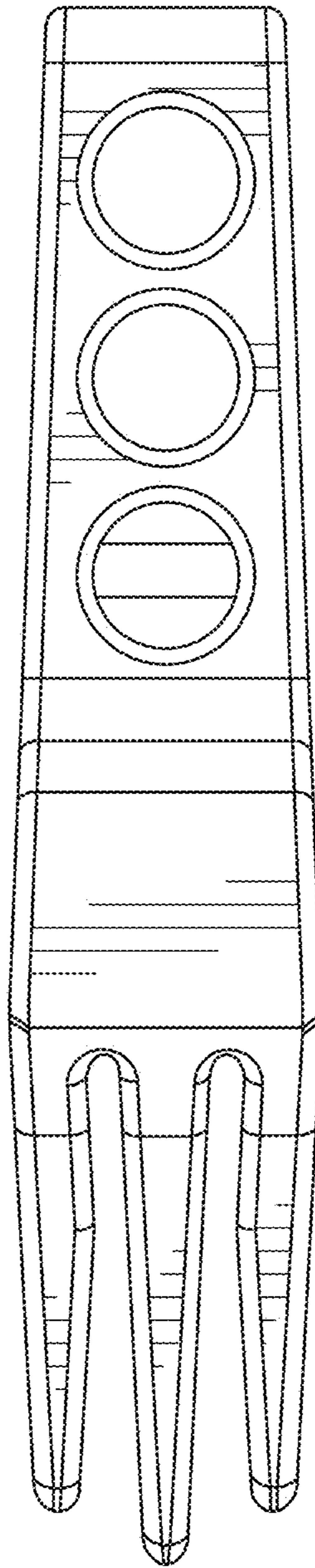


FIG. 8