

US00D969945S

(12) **United States Design Patent** (10) **Patent No.:** **US D969,945 S**
Zahradnik (45) **Date of Patent:** **** Nov. 15, 2022**

(54) **HOOP ASSEMBLY**

FOREIGN PATENT DOCUMENTS

(71) Applicant: **Jeffrey Zahradnik**, Greenfield, MA (US)

CN 202015463 10/2011
CN 202620631 12/2012

(Continued)

(72) Inventor: **Jeffrey Zahradnik**, Greenfield, MA (US)

OTHER PUBLICATIONS

(**) Term: **15 Years**

First Team Super-Duty Double Rim, available on amazon.com, date first available Mar. 6, 2007, [site visited Feb. 11, 2022], URL: <https://www.amazon.com/First-Team-Super-Duty-Double-Basketball/dp/B000O0Q5JG/> (Year: 2007).*

(21) Appl. No.: **29/767,455**

(Continued)

(22) Filed: **Jan. 22, 2021**

(51) **LOC (13) Cl.** **21-02**

(52) **U.S. Cl.**

USPC **D21/703**; D21/305

(58) **Field of Classification Search**

USPC D21/699, 701, 781, 801, 703, 704, 705, D21/303, 305, 530; D6/656.12, 656.13, D6/692.4, 696.3, 697.1, 708.16, 695.4; D34/1, 4, 5; D32/37; D19/82, 95; D7/400, 507, 601, 608; D26/118; D11/133, 157; D22/135; D3/304, 306
CPC ... A63B 63/08; A63B 63/083; A63B 69/0071; A63B 63/06; A63B 2063/006; A63B 67/007; A63B 2225/60; A63B 2225/605; A63B 63/00; A47B 2220/11; B65F 1/00; B65F 1/02; Y10S 220/908

See application file for complete search history.

Primary Examiner — Dana K Weiland

Assistant Examiner — Emily Anna Saunders

(74) *Attorney, Agent, or Firm* — Lambert Shortell & Connaughton; David J. Connaughton, Jr.; Justin P. Tinger

(57) **CLAIM**

The ornamental design for a hoop assembly, as shown and described.

DESCRIPTION

FIG. 1 is a front perspective top view of the hoop assembly, which embodies my design;
FIG. 2 is a left side view thereof;
FIG. 3 is a right side view thereof;
FIG. 4 is a front side view thereof;
FIG. 5 is a rear side view thereof;
FIG. 6 is a top side view thereof;
FIG. 7 is a bottom view thereof; and,
FIG. 8 is a front perspective view of the hoop assembly shown with environmental subject matter.

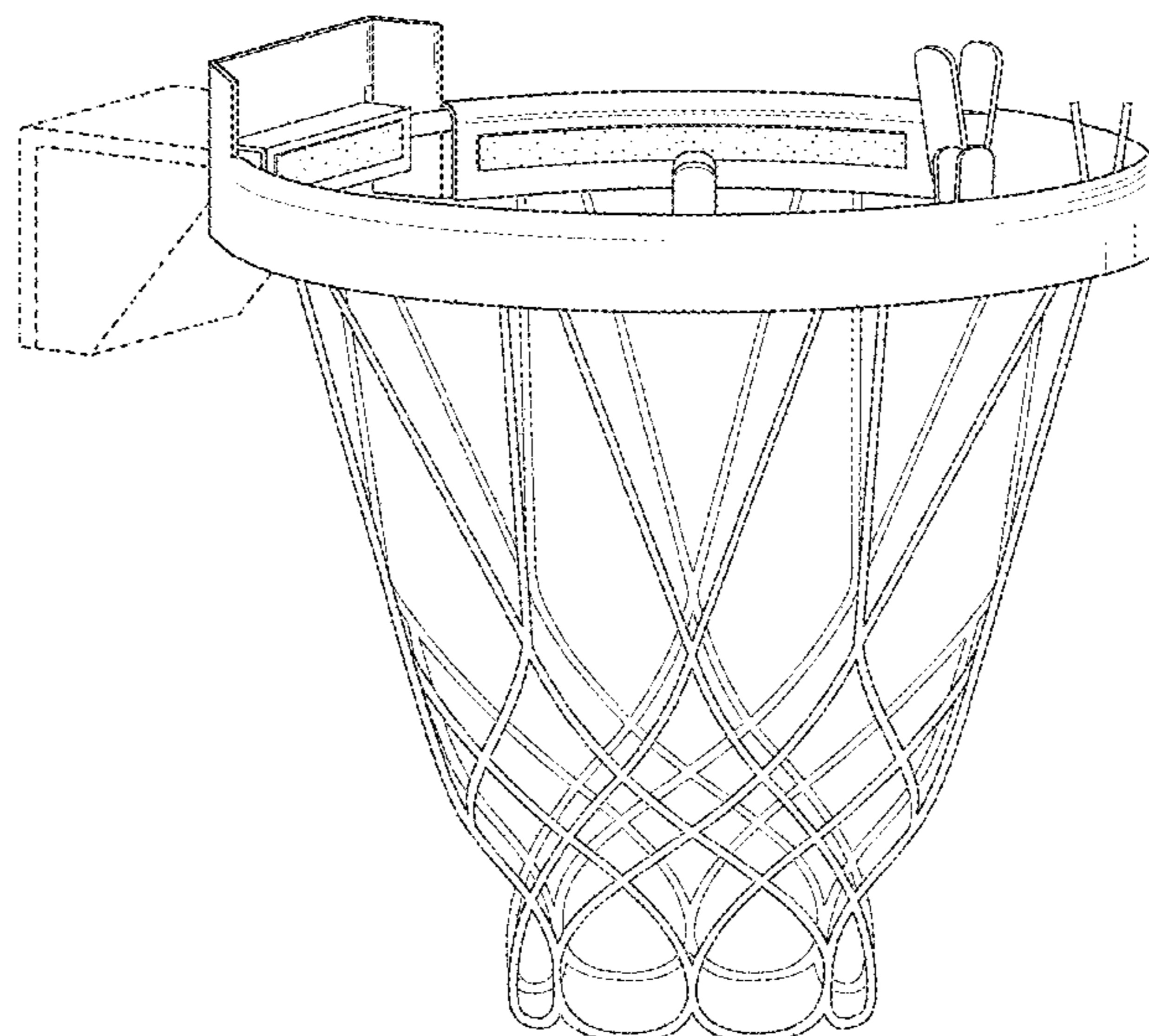
The broken line showing of the items suspended from clips in FIG. 8 is for the purpose of illustrating environmental structure and forms no part of the claimed design. All other broken lines depict portions of the hoop assembly that form no part of the claimed design.

(56) **References Cited**

U.S. PATENT DOCUMENTS

1,520,196 A * 12/1924 Medart A63B 63/083
248/315
3,799,543 A 3/1974 Steele, Jr.
3,814,359 A * 6/1974 Powell B65B 67/12
473/487
D238,284 S * 12/1975 Toedter 473/489
5,082,261 A * 1/1992 Pelfrey A63B 71/023
473/483
5,123,642 A 6/1992 Stokes
(Continued)

1 Claim, 8 Drawing Sheets



(56)

References Cited

U.S. PATENT DOCUMENTS

5,305,997 A * 4/1994 Jolly A63B 63/083
473/486
5,360,208 A * 11/1994 Fang A63B 63/083
473/489
D354,534 S * 1/1995 Michalik D21/703
D365,375 S * 12/1995 Lee D21/703
D409,135 S * 5/1999 Davis D12/420
D429,896 S * 8/2000 Clarke D6/563
D456,739 S * 5/2002 Hopkins D11/154
6,582,329 B1 * 6/2003 Cabrera A63B 63/083
473/480
6,595,879 B1 * 7/2003 Robbins A63B 63/083
473/422
7,396,302 B1 7/2008 Boudreau
7,597,635 B2 10/2009 Davies
7,628,718 B2 * 12/2009 Connerley A63B 63/083
473/485
D696,363 S * 12/2013 Holland D21/703
9,468,826 B2 * 10/2016 Smith A63B 63/083
9,545,552 B1 * 1/2017 Buchweitz, III A63B 63/083
2007/0082759 A1 4/2007 Burkhardt
2007/0135238 A1 6/2007 Dones
2007/0167265 A1 * 7/2007 Connerley A63B 63/083
473/485
2011/0263356 A1 10/2011 Silagy
2011/0312448 A1 * 12/2011 Mcilvain A63B 63/083
473/448
2014/0057744 A1 2/2014 Whitten
2015/0375075 A1 * 12/2015 Smith A63B 63/083
473/489
2016/0332053 A1 * 11/2016 Wicker, Jr. A63B 63/083
2017/0128803 A1 * 5/2017 Smith A63B 63/083
2019/0217172 A1 * 7/2019 OMeara G09F 23/0066
2019/0366177 A1 * 12/2019 Eggers A63B 63/00
2021/0252361 A1 * 8/2021 Eggers A63B 63/083

FOREIGN PATENT DOCUMENTS

CN 305561595 * 1/2020
GB 6111299 * 12/2020

OTHER PUBLICATIONS

Kids Basketball Hoop, available on amazon.com, date first available May 16, 2019, [site visited Feb. 11, 2022], URL: <https://www.amazon.com/dp/B07RWHW21F/> (Year: 2019).*

Arena Slam Basketball Rim, available on spalding.com, oldest customer review Jul. 2, 2021, [site visited Feb. 11, 2022], URL: <https://www.spalding.com/basketball/featured/mvp-member-exclusive-deals/arena-slam-basketball-rim/7891S.html> (Year: 2021).*

Portable Basketball Hoop You Can Wear Like a Backpack, available at odditymall.com, date published Mar. 25, 2019, [site visited Feb. 11, 2022], URL: <https://odditymall.com/swish-portable-basketball-hoop> (Year: 2019).*

Boley Hanging Basketball Hoop, available on amazon.com, date first available May 25, 2020, [site visited Feb. 11, 2022], URL: <https://www.amazon.com/dp/B08957SPMD/> (Year: 2020).*

Mini Basketball Hoop, available on amazon.com, oldest customer review May 13, 2021, [site visited Feb. 11, 2022], URL: <https://www.amazon.com/Basketball-Bathroom-Accessories-Shooting-Punch-Free/product-reviews/B08RNXXKDW6/> (Year: 2021).*

Double-Rim Heavy-Duty Recreational Flex Basketball Goal, available on bisoninc.com, [site visited Feb. 11, 2022], URL: <https://www.bisoninc.com/product/basketball/outdoor-basketball/double-rim-heavy-duty-recreational-flex-basketball-goal/> (Year: 2022).*

Red and White Plastic Basketball Hoop, available on cgtrader.com, [site visited Feb. 11, 2022], URL: <https://www.cgtrader.com/3d-models/sports/equipment/red-and-white-plastic-basketball-hoop> (Year: 2022).*

* cited by examiner

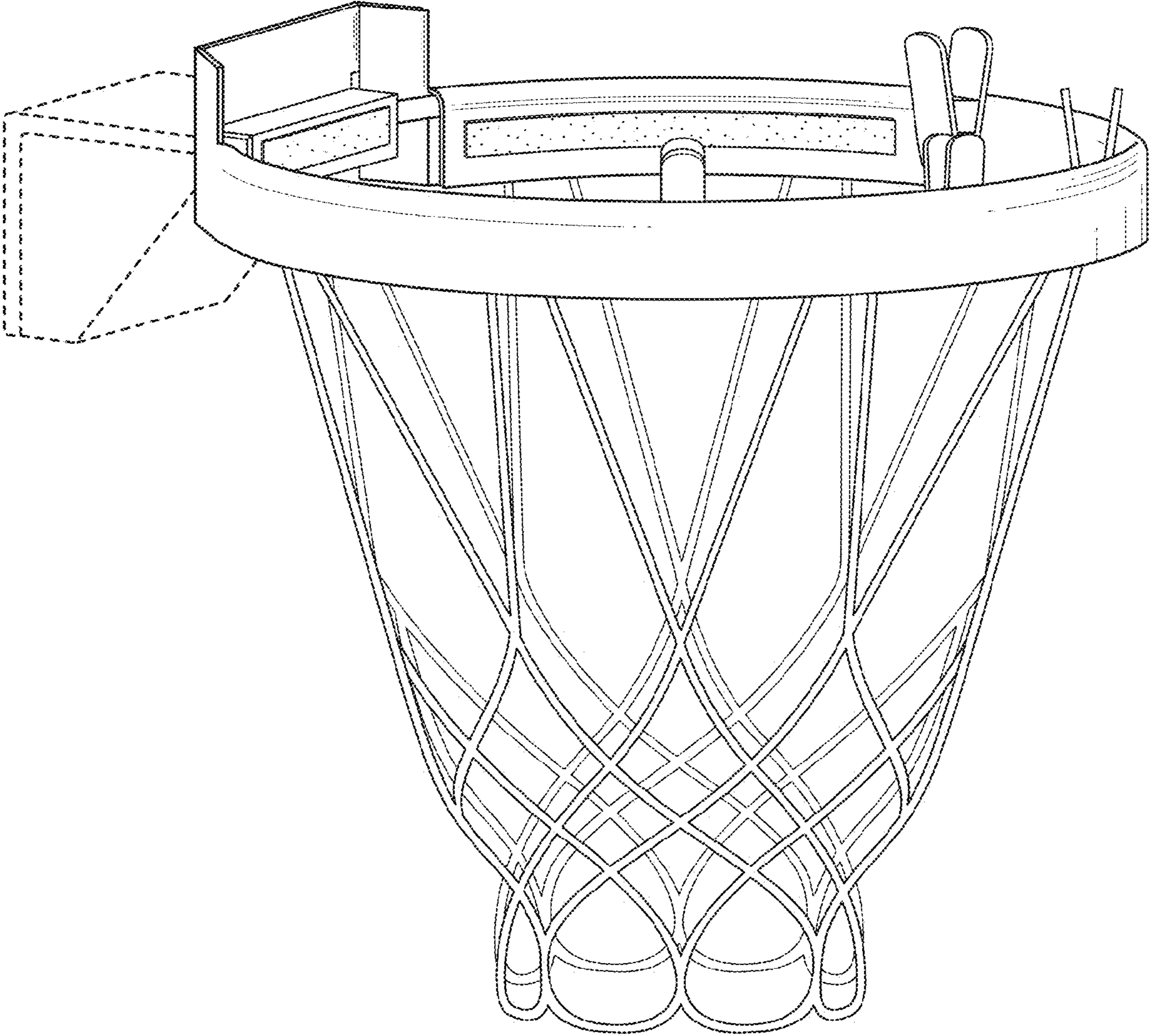


Fig. 1

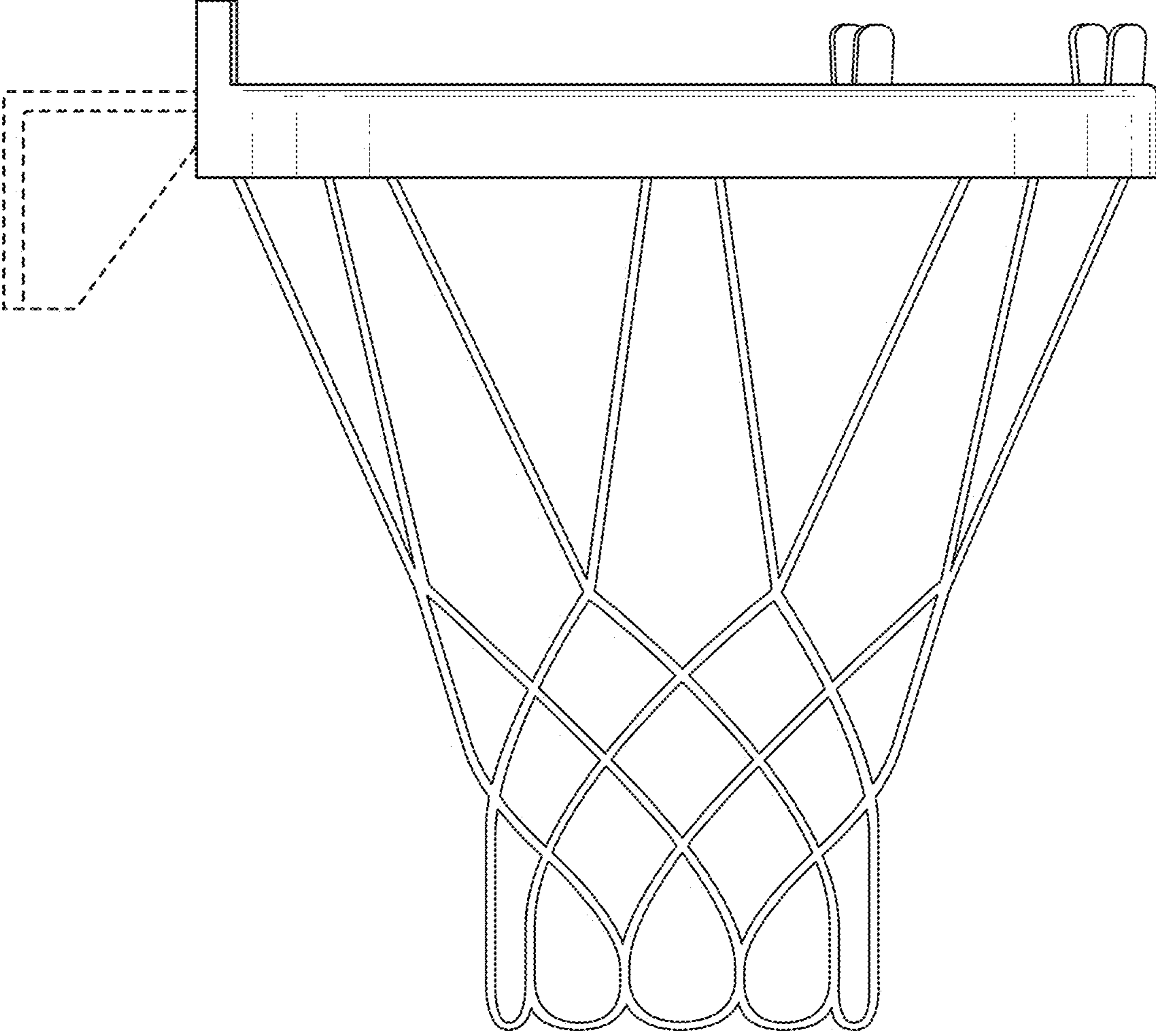


Fig. 2

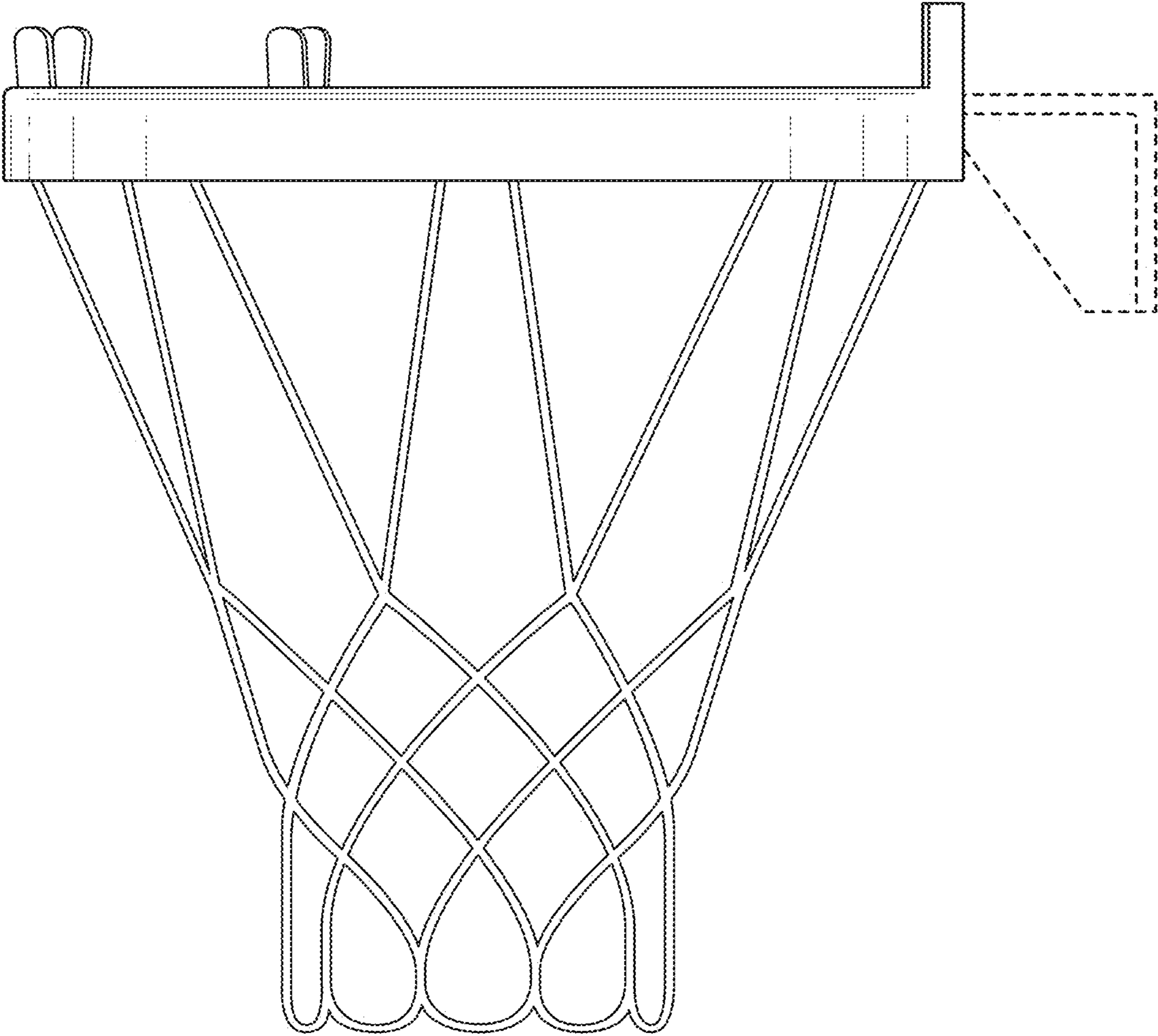


Fig. 3

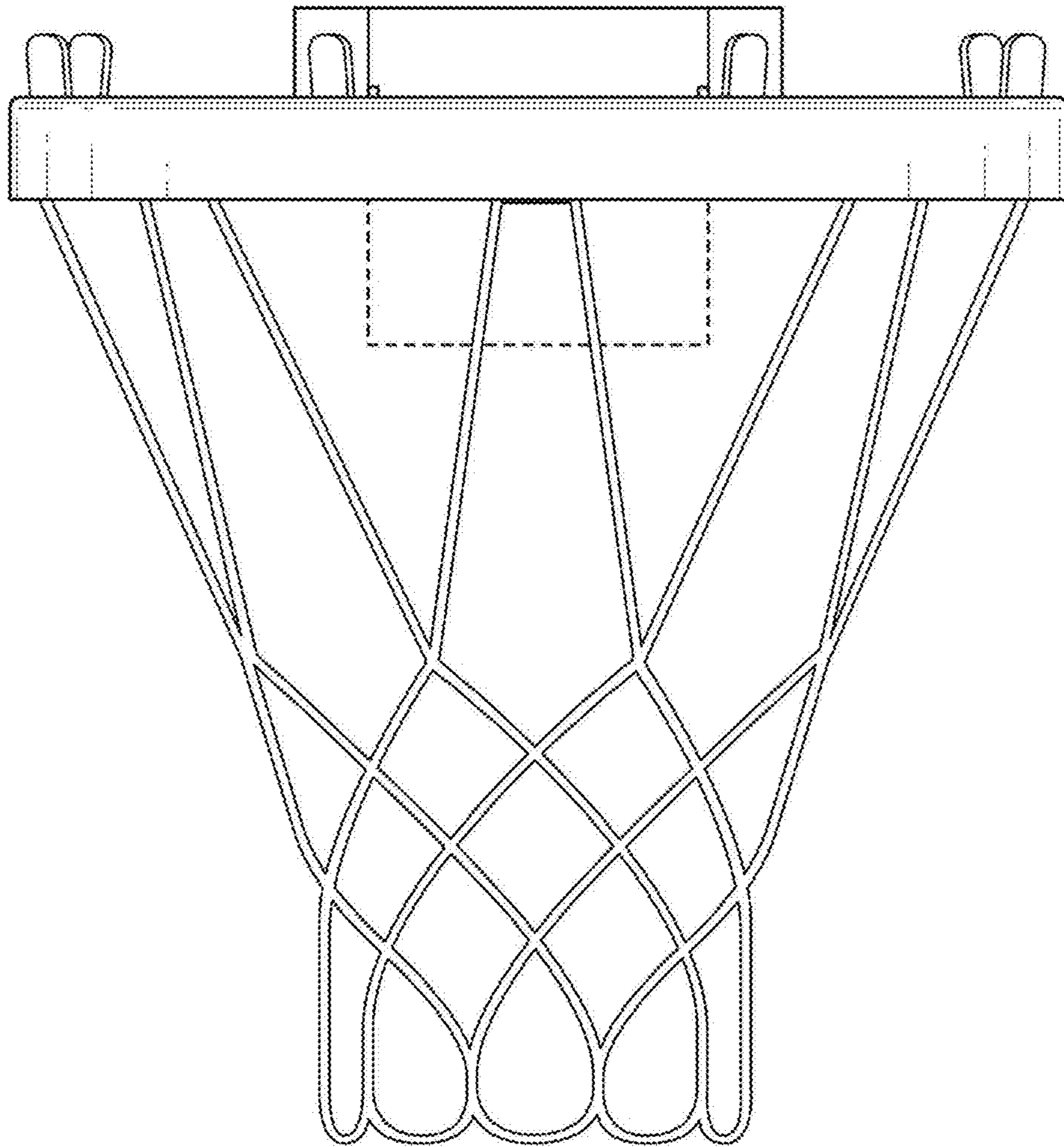


Fig. 4

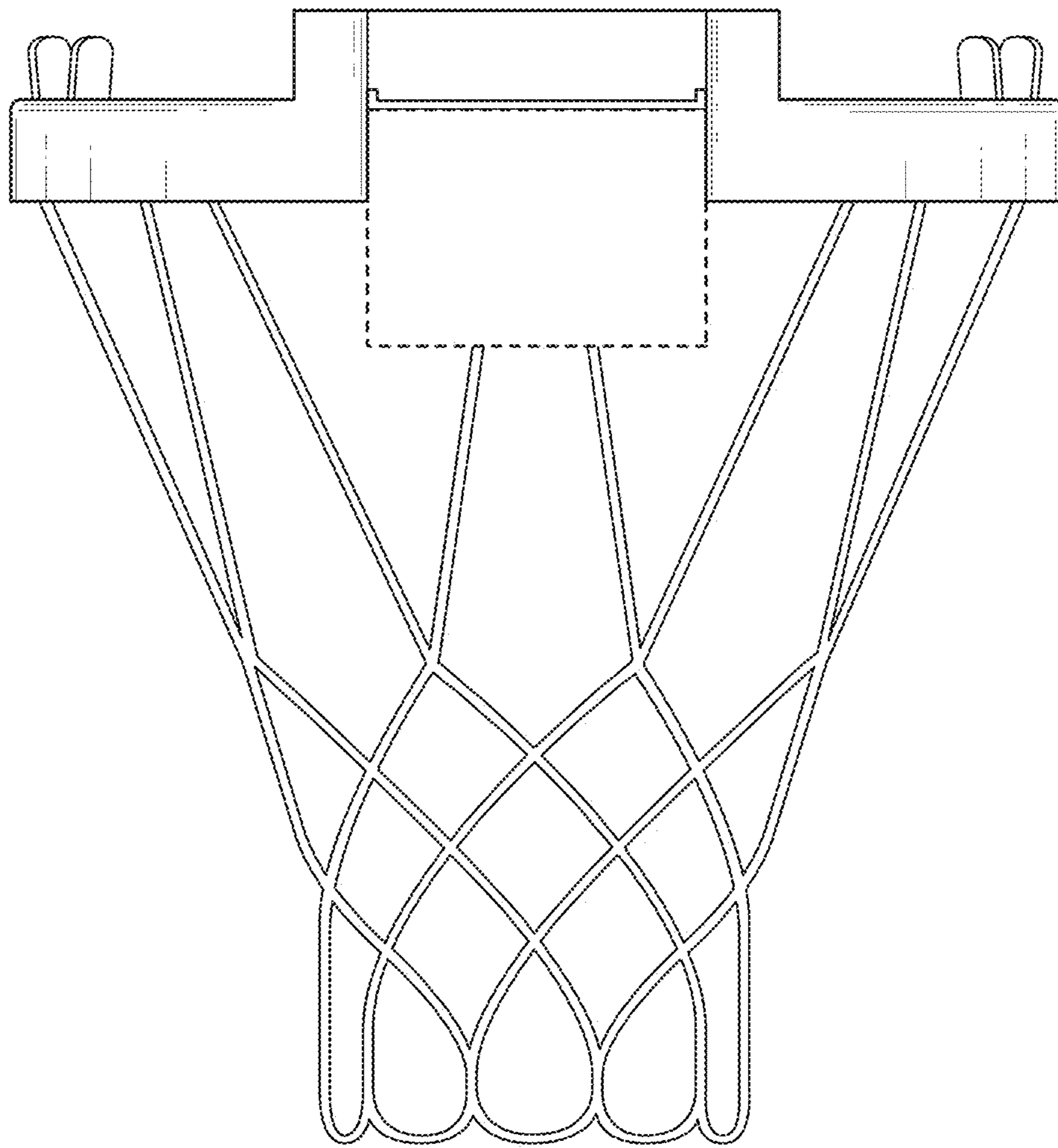


Fig. 5

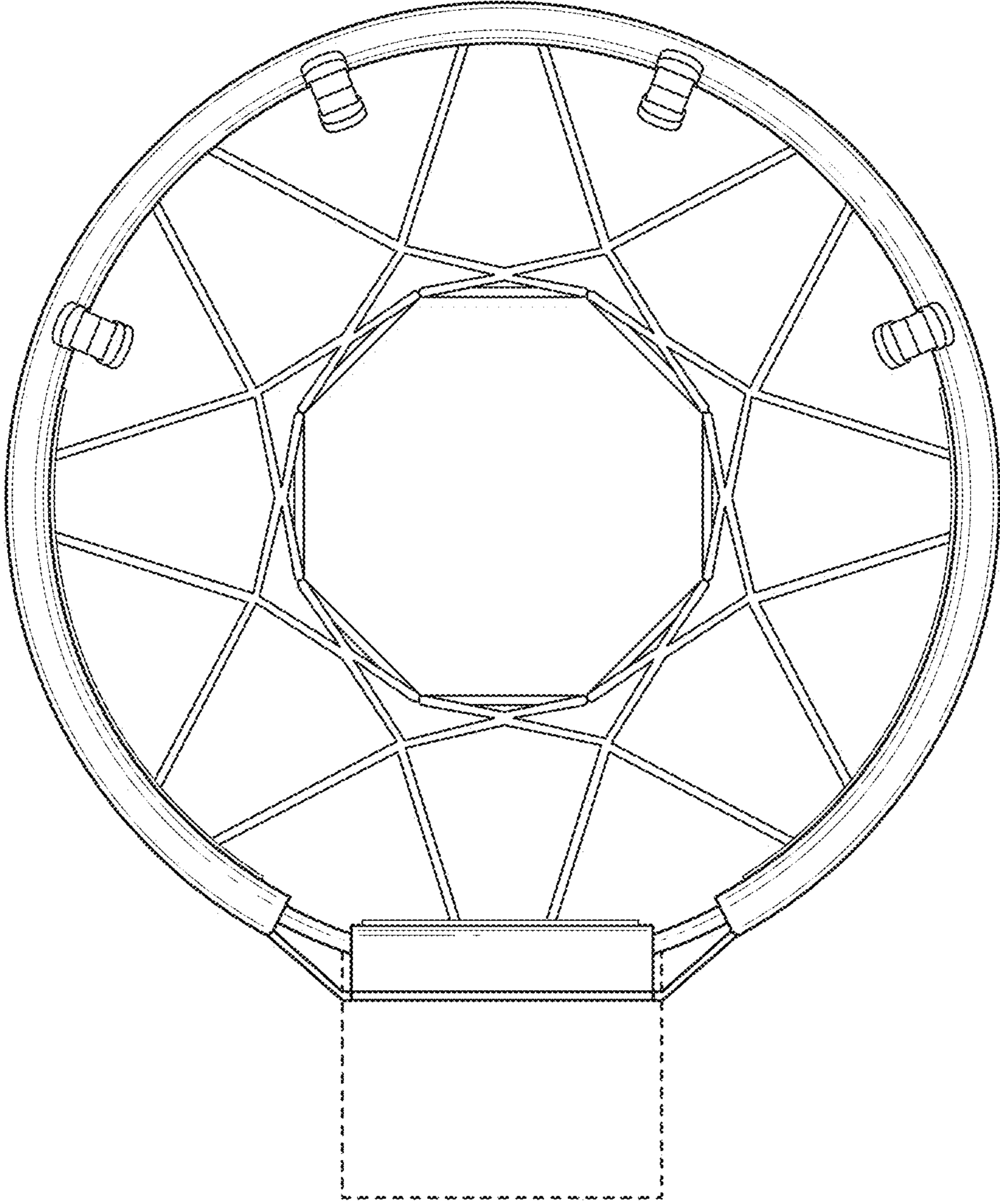


Fig. 6

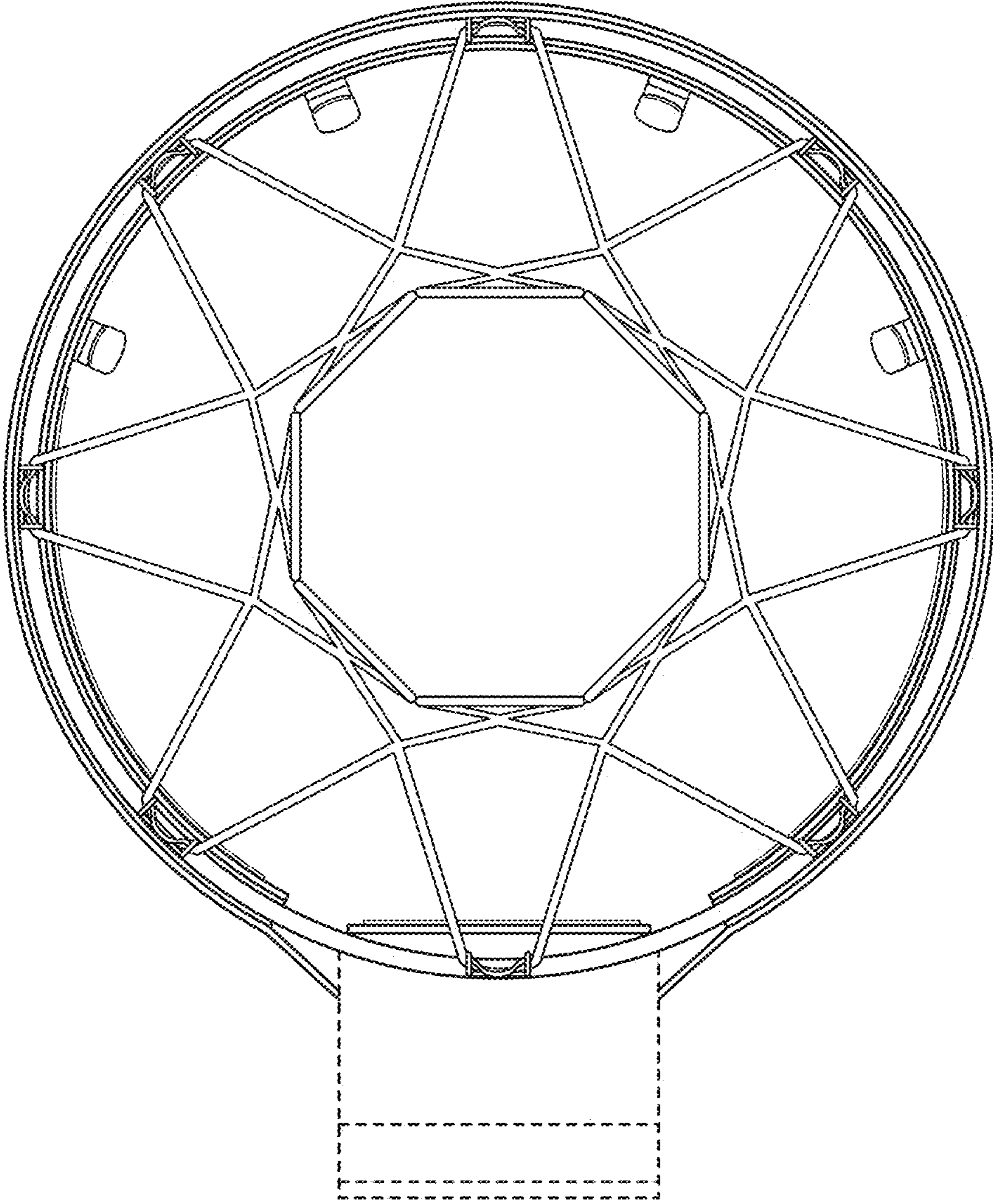


Fig. 7

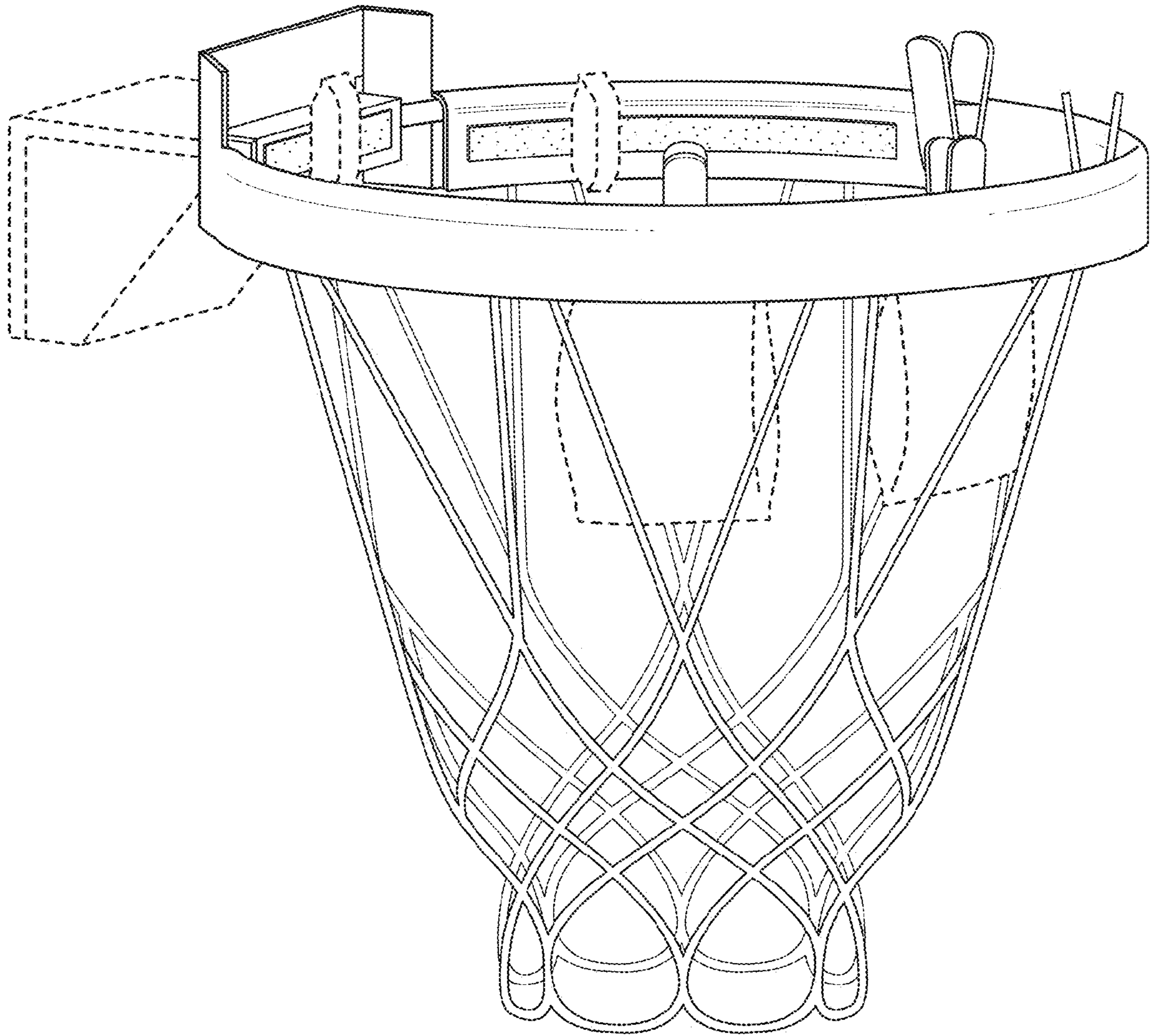


Fig. 8