



US00D969943S

(12) **United States Design Patent** (10) **Patent No.:** **US D969,943 S**
Zhao (45) **Date of Patent:** **** Nov. 15, 2022**

(54) **EXERCISE DEVICE**
(71) Applicant: **Liyong Zhao**, Xinzhou (CN)
(72) Inventor: **Liyong Zhao**, Xinzhou (CN)
(**) Term: **15 Years**

D895,743 S * 9/2020 Lau D21/691
D903,019 S * 11/2020 Sotis D21/686
D936,764 S * 11/2021 Gao D21/686
D940,799 S * 1/2022 Li D21/691
D942,562 S * 2/2022 Zhao D21/686
D949,265 S * 4/2022 Dunahay D21/694
D953,450 S * 5/2022 Pan D21/673
2013/0274075 A1 * 10/2013 Habing A63B 23/03541

(Continued)

(21) Appl. No.: **29/745,928**

(22) Filed: **Aug. 11, 2020**

(51) **LOC (13) Cl.** **21-02**

(52) **U.S. Cl.**
USPC **D21/686**

(58) **Field of Classification Search**
USPC D21/662, 673, 675, 676, 686, 687, 690,
D21/691, 692, 694, 695, 696, 698, 797;
D6/315, 323, 329, 681.1
CPC ... A63B 21/078; A63B 5/11; A63B 23/03558;
A63B 21/16; A63B 21/4029; A63B
21/0023; A63B 21/0552; A63B 21/00047;
A63B 21/1627; A63B 23/1236; A63B
23/1218; A63B 2023/006; A63B 23/02;
A63B 23/03566; A63B 21/00061; A63B
21/00065

See application file for complete search history.

(56) **References Cited**

U.S. PATENT DOCUMENTS

4,337,942 A * 7/1982 Sidlinger A63B 5/11
482/142
D300,157 S * 3/1989 Yates D21/690
D339,835 S * 9/1993 Hsieh D21/691
D544,050 S * 6/2007 Webber D21/686
D578,582 S * 10/2008 Gomez D21/686
8,500,608 B1 * 8/2013 Bonomi A63B 21/0626
D785,107 S * 4/2017 Moschel D21/690
D785,732 S * 5/2017 Moschel D21/690
D804,594 S * 12/2017 Jones D21/694
D850,543 S * 6/2019 Lau D21/686
D868,185 S * 11/2019 Redmond D21/691
10,751,565 B2 * 8/2020 Saadallah A63B 21/0724

FOREIGN PATENT DOCUMENTS

CN 304958823 * 12/2018
GB 6020540 * 10/2017
GB 6125246 * 3/2021

OTHER PUBLICATIONS

Women's Health Men's Health Multi-Function Power Tower, first available Jul. 21, 2020, amazon.com [online], site visited Oct. 22, 2021], Available from internet URL: <https://amzn.to/3ps2vyl> (Year: 2020).*

(Continued)

Primary Examiner — Jack Reickel
Assistant Examiner — Salamah Jordan

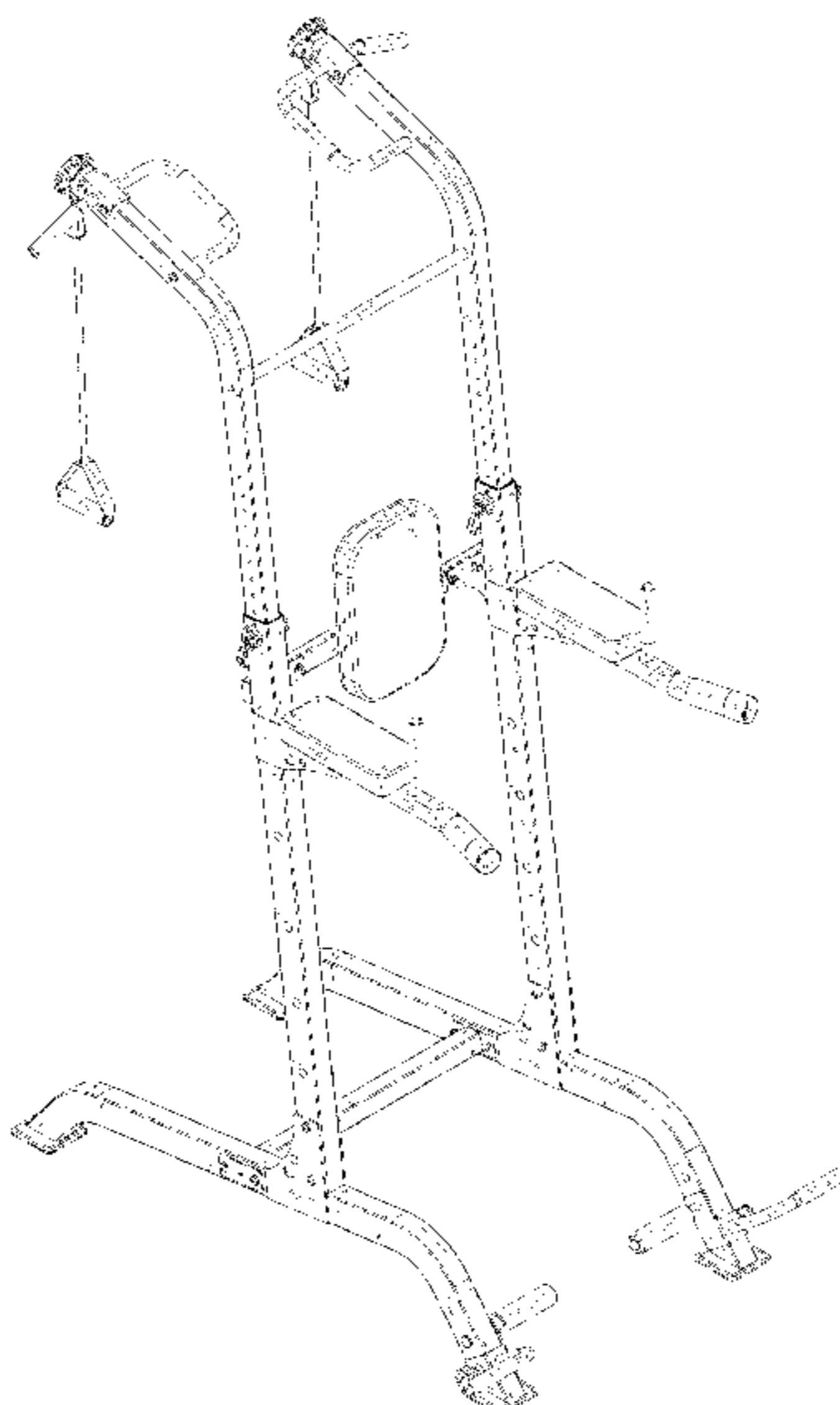
(57) **CLAIM**

The ornamental design for an exercise device, as shown described.

DESCRIPTION

FIG. 1 is a perspective view of an exercise device, showing my new design;
FIG. 2 is another perspective view thereof;
FIG. 3 is a front elevational view thereof;
FIG. 4 is a rear elevational view thereof;
FIG. 5 is a left side elevational view thereof;
FIG. 6 is a right side elevational view thereof;
FIG. 7 is a top plan view thereof; and,
FIG. 8 is a bottom plan view thereof.

1 Claim, 8 Drawing Sheets



(56)

References Cited

U.S. PATENT DOCUMENTS

2015/0352395 A1* 12/2015 Gregory A63B 23/03558
482/123
2019/0224524 A1* 7/2019 Saadallah A63B 21/078
2019/0329095 A1* 10/2019 Noren A63B 21/068
2020/0398104 A1* 12/2020 Rogers A63B 21/068
2022/0062687 A1* 3/2022 Gao A63B 71/0619
2022/0096891 A1* 3/2022 Yang A63B 23/03566
2022/0184448 A1* 6/2022 Green A63B 71/0036

OTHER PUBLICATIONS

Fitness Reality X-Class High Capacity Multi-Function Power Tower, first available Jan. 3, 2017, amazon.com [online], site visited Oct. 18, 2021], Available from internet URL: <https://amzn.to/2ZcupE9> (Year: 2017).*

“K Kingkang Power Tower” Jun. 1, 2017, Amazon, site visited Jun. 30, 2022: <https://amzn.to/3a0qfEN> (Year: 2017).*

“Body Champ Power Tower” Sep. 15, 2014, Amazon, site visited Jun. 30, 2022: <https://www.youtube.com/watch?v=KYLYYXIaWSI> (Year: 2014).*

“Power Tower Adjustable Height Pull Up” Aug. 17, 2020, Amazon, site visited Jun. 30, 2022: <https://amzn.to/3AijHvU> (Year: 2020).*

“Dporticus Power Tower Workout Dip Station” Jun. 14, 2017, Amazon, site visited Jun. 30, 2022: <https://amzn.to/3OBUDUX> (Year: 2018).*

* cited by examiner

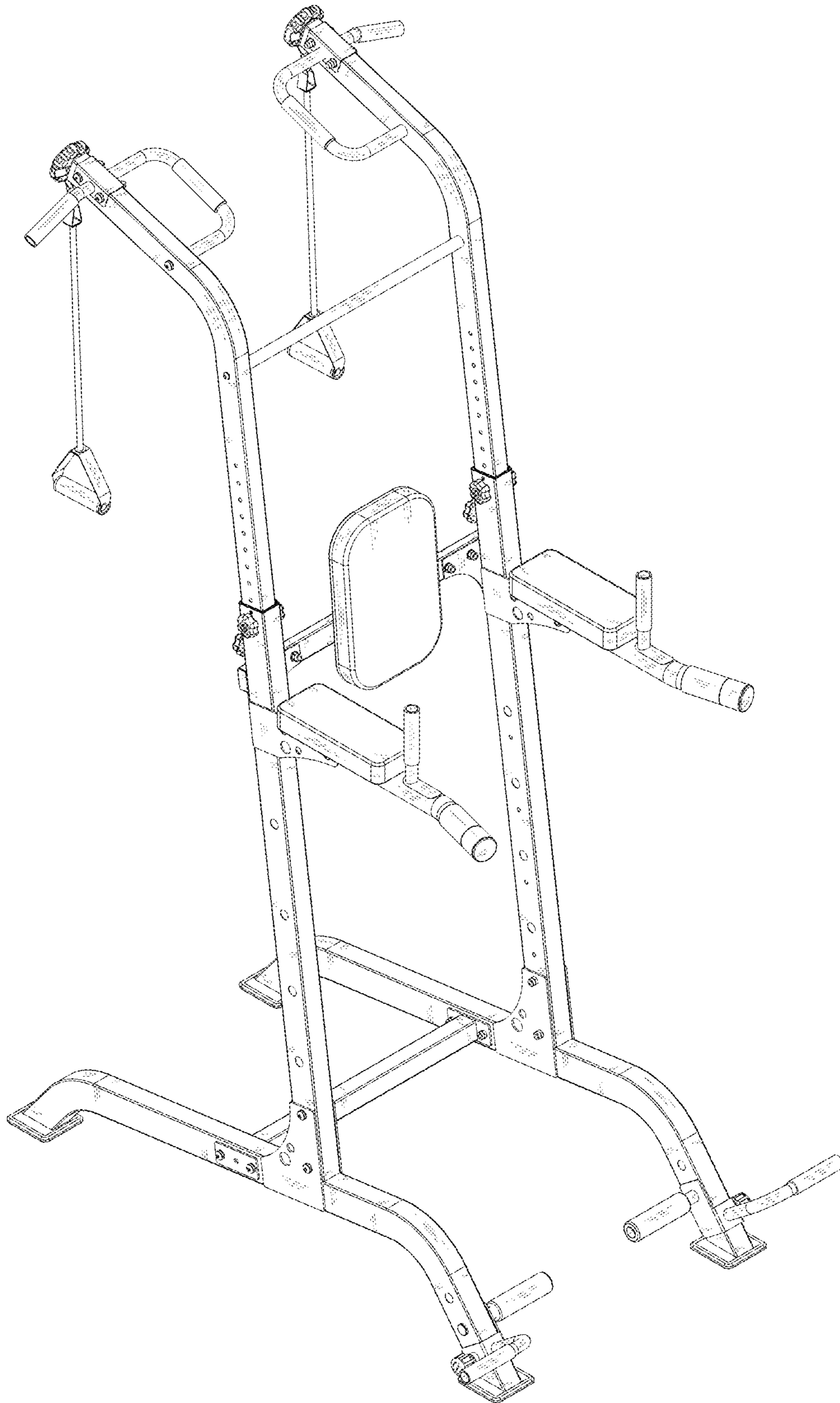


FIG. 1

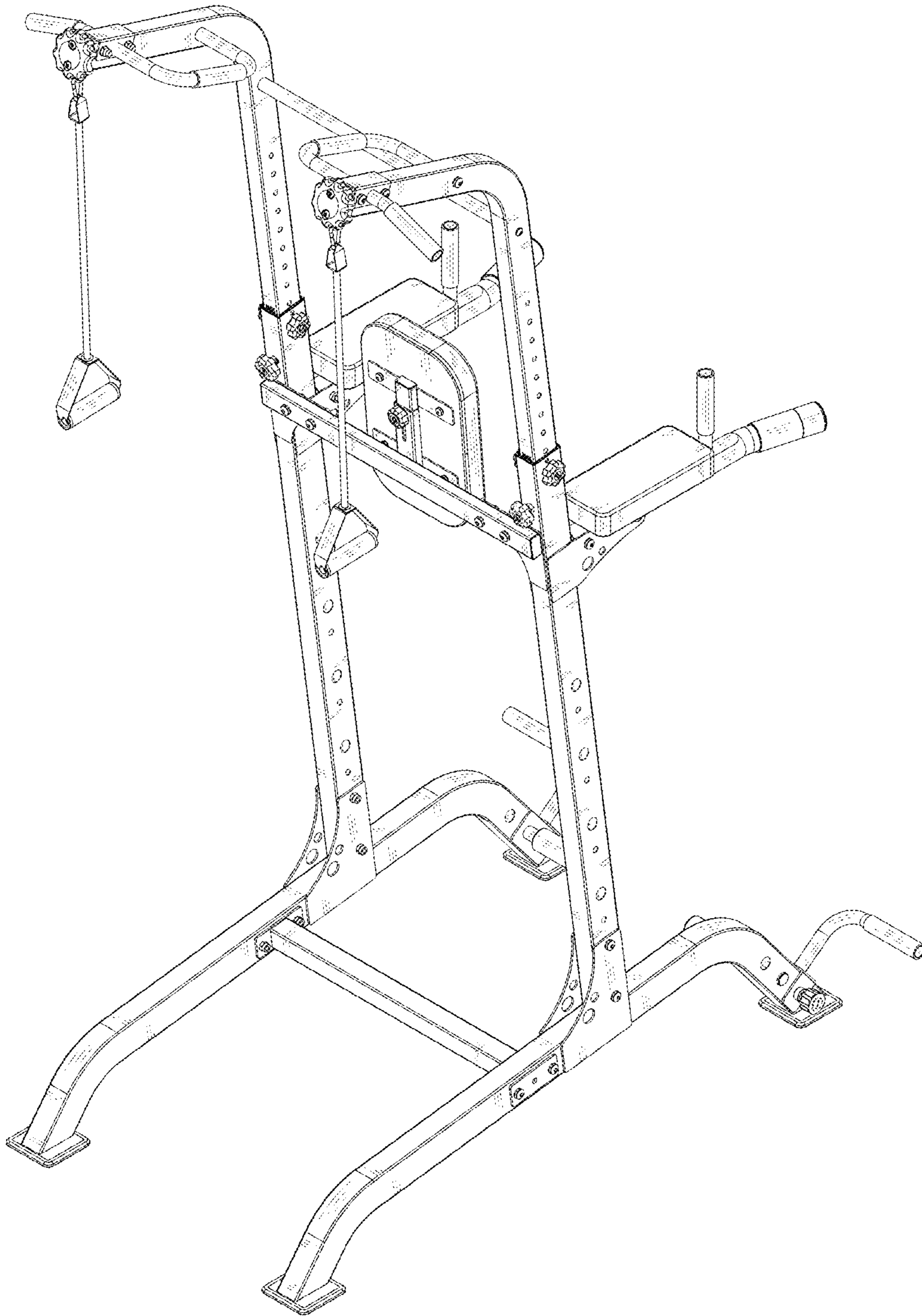


FIG. 2

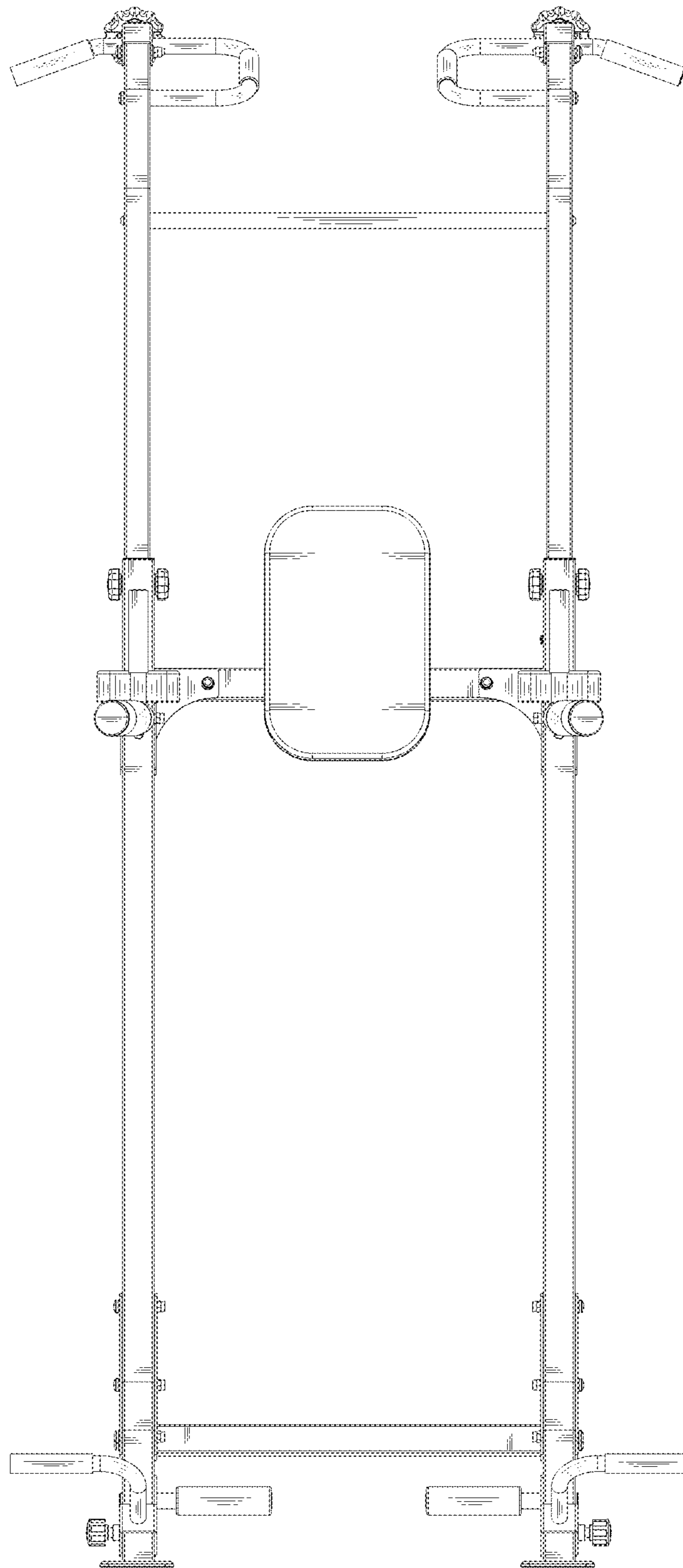


FIG. 3

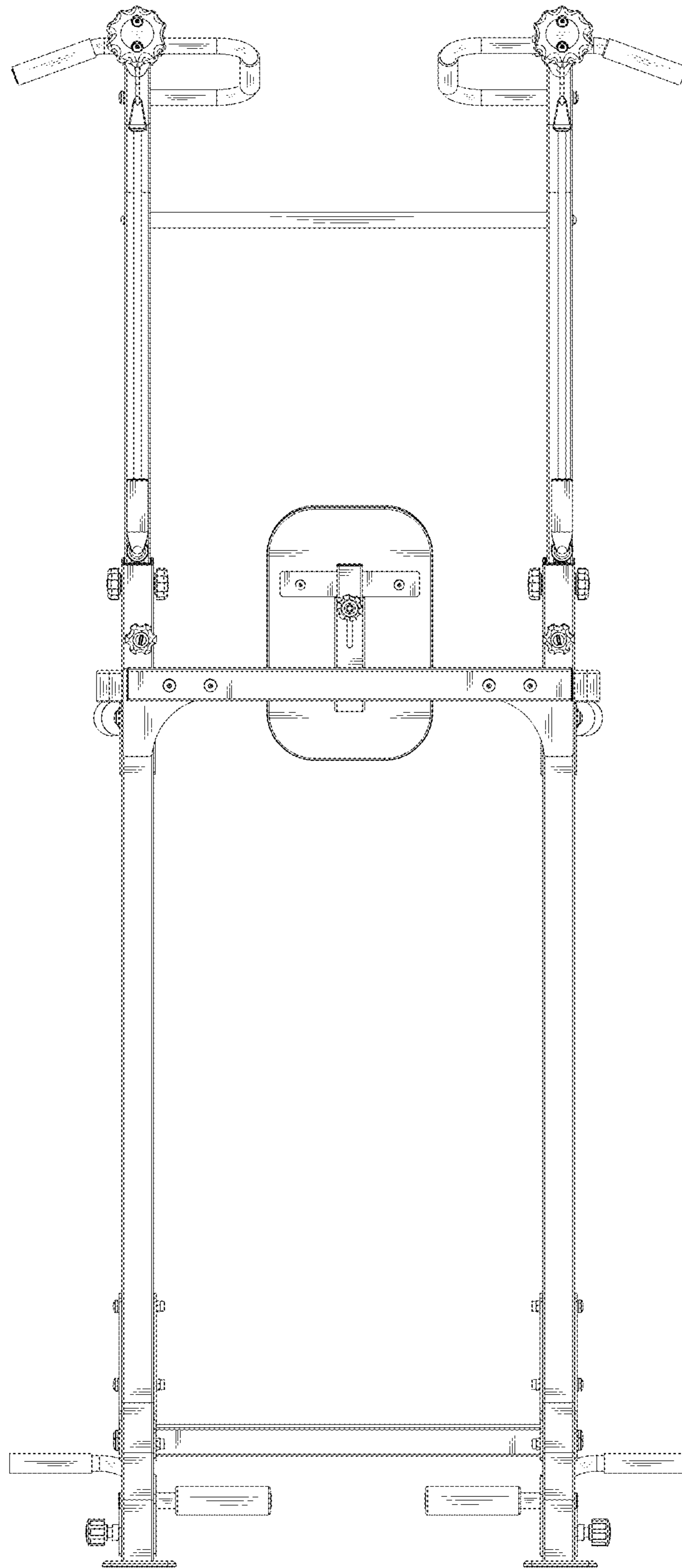


FIG. 4

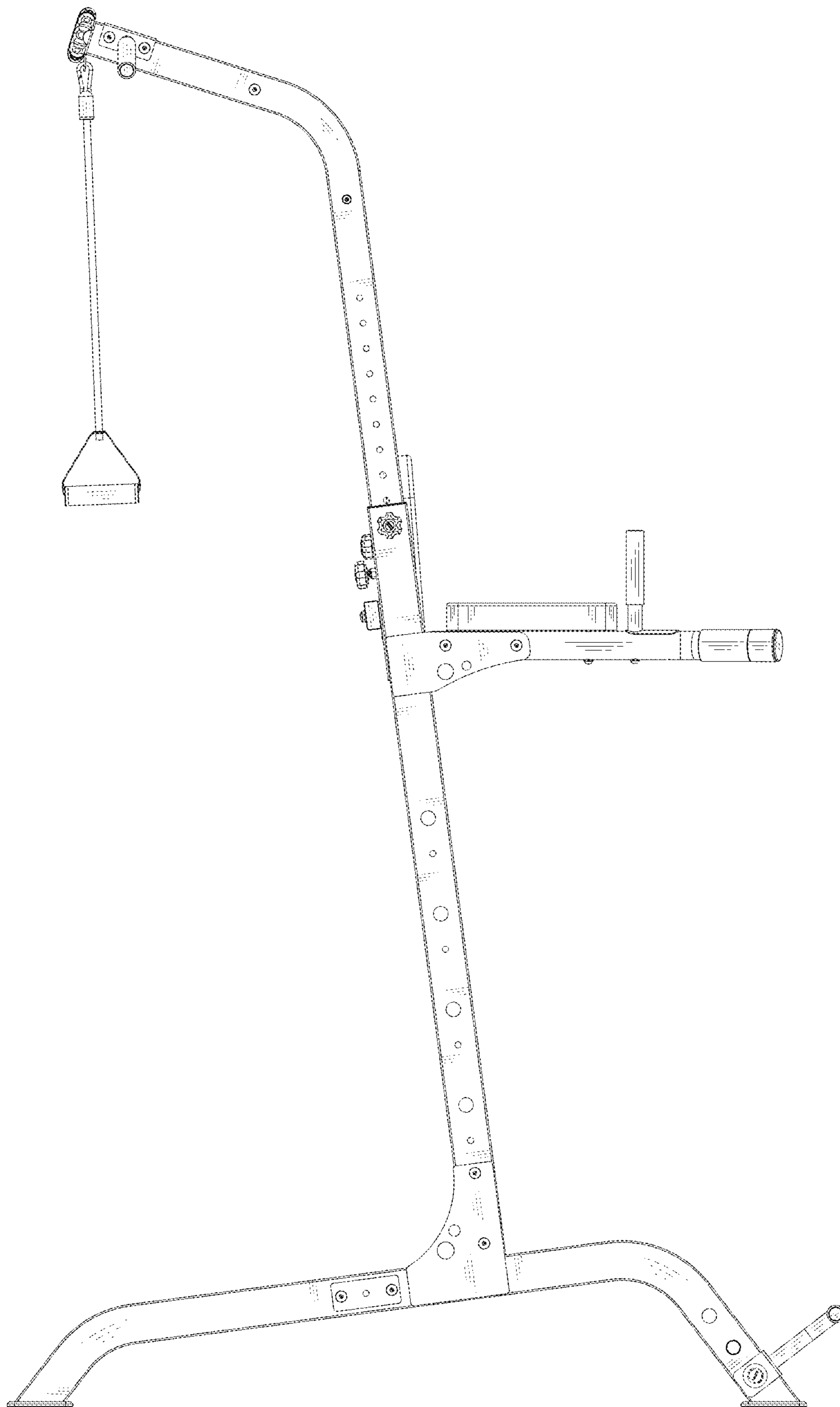


FIG. 5

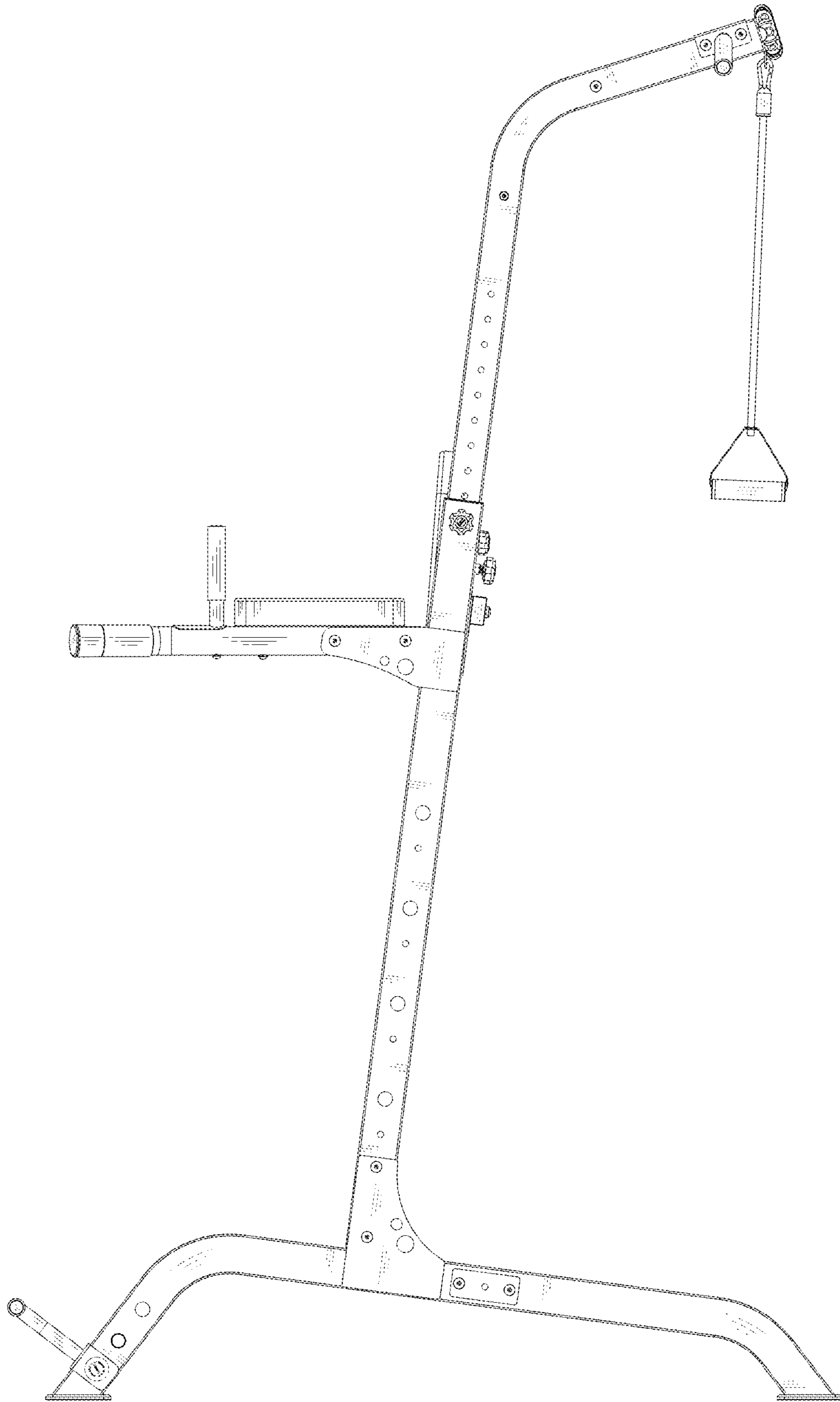


FIG. 6

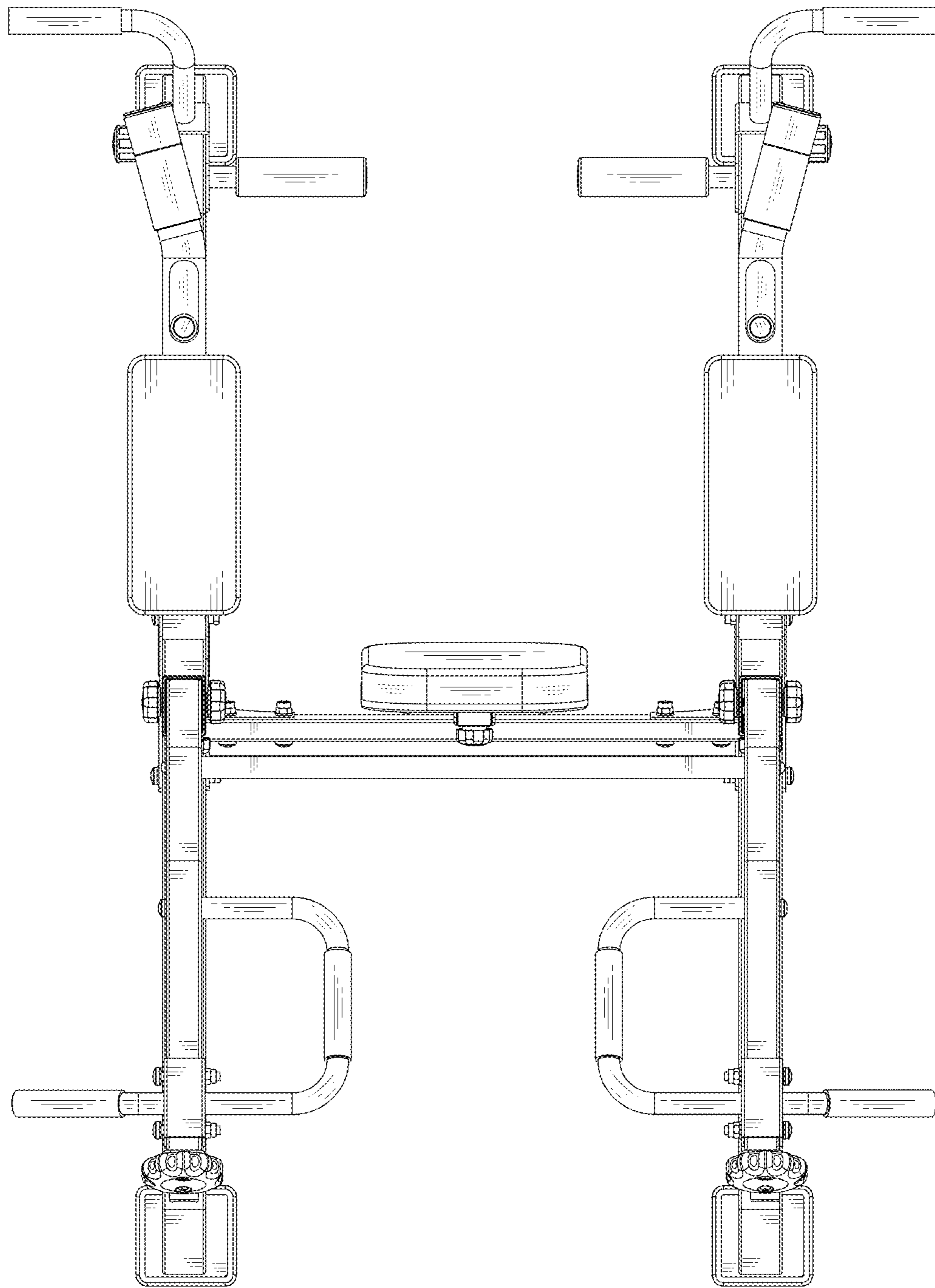


FIG. 7

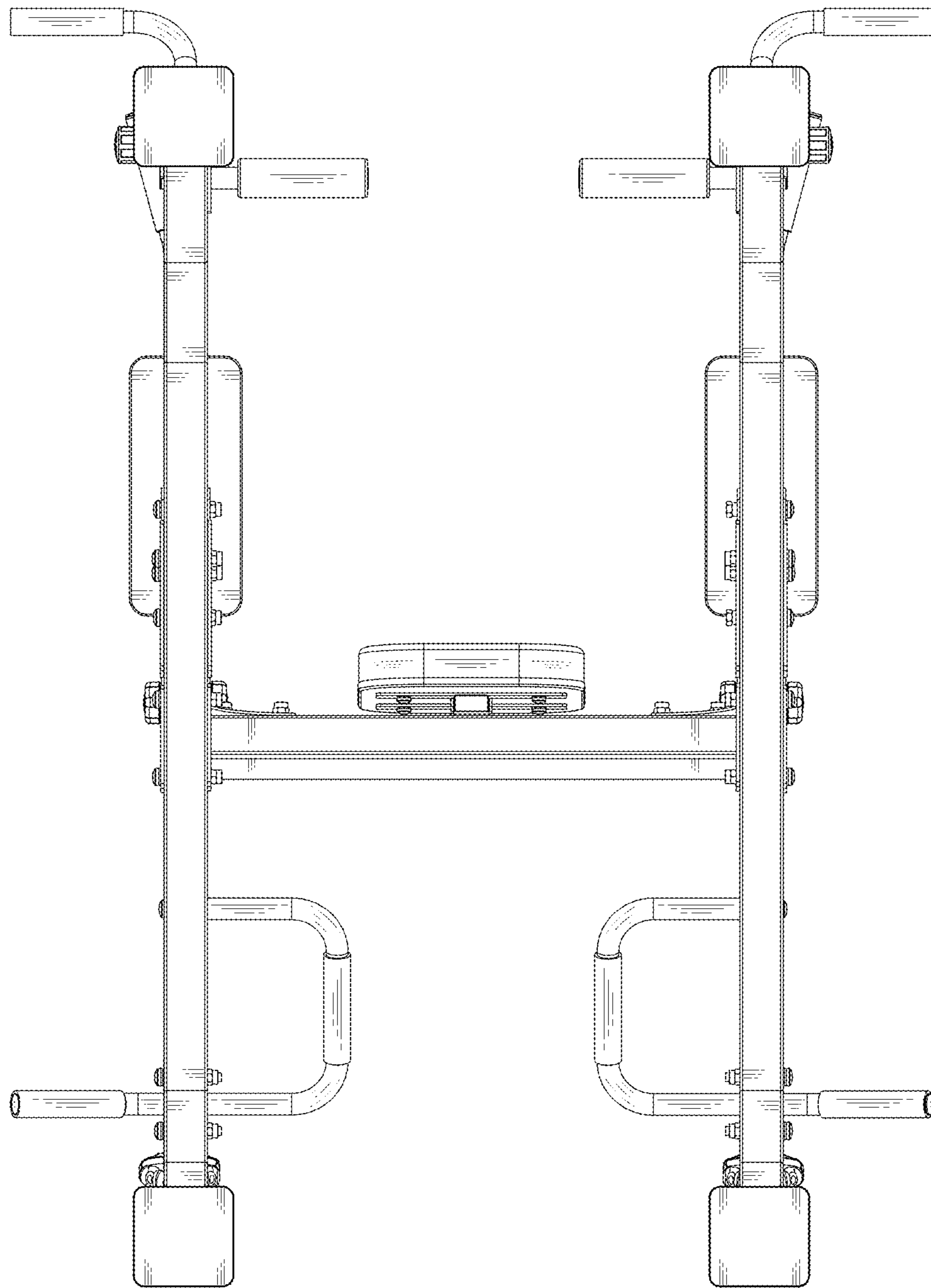


FIG. 8