

US00D969939S

(12) **United States Design Patent**
Medina

(10) **Patent No.:** **US D969,939 S**

(45) **Date of Patent:** **** Nov. 15, 2022**

(54) **EXERCISE HANDLE**

(71) Applicant: **Dov Medina**, Forest Hills, NY (US)

(72) Inventor: **Dov Medina**, Forest Hills, NY (US)

(**) Term: **15 Years**

(21) Appl. No.: **29/669,255**

(22) Filed: **Nov. 7, 2018**

(51) **LOC (13) Cl.** **21-02**

(52) **U.S. Cl.**
USPC **D21/665**

(58) **Field of Classification Search**
USPC D8/300-307, 314; D21/662, 672, 673,
D21/756, 757
See application file for complete search history.

(56) **References Cited**

U.S. PATENT DOCUMENTS

D459,645 S *	7/2002	Rothfus	D8/303
D520,330 S *	5/2006	Ejvinsson	D8/303
D550,059 S *	9/2007	Witte	D8/302
D652,091 S *	1/2012	Gellatly	A63B 21/0557 D21/684
D667,899 S *	9/2012	Bronston	D21/662
D708,274 S *	7/2014	Eder	D21/673
D718,602 S *	12/2014	Musser	D8/107
D766,062 S *	9/2016	Phillips	D8/303
D778,511 S *	2/2017	Byrne	D30/160
D786,043 S *	5/2017	Knight	D8/308
D867,101 S *	11/2019	Minale	D8/307
D919,022 S *	5/2021	Yang	D21/694
D931,957 S *	9/2021	Rodriguez	D21/694
2015/0367160 A1 *	12/2015	Medina	A63B 21/0555 482/126

* cited by examiner

Primary Examiner — Michael C Stout

Assistant Examiner — Melvin L Davis

(74) *Attorney, Agent, or Firm* — Gearhart Law LLC;
David Postolski

(57) **CLAIM**

I claim the ornamental design for an exercise handle, as shown and described.

DESCRIPTION

FIG. 1 is an upper front perspective view of an exercise handle of the present invention.

FIG. 2 is a lower rear perspective view of the exercise handle in FIG. 1.

FIG. 3 is a left side view of the exercise handle in FIG. 1.

FIG. 4 is a right side view of the exercise handle in FIG. 1.

FIG. 5 is a rear view of the exercise handle apparatus in FIG. 1.

FIG. 6 is a front view of the exercise handle in FIG. 1.

FIG. 7 is a top view of the exercise handle in FIG. 1.

FIG. 8 is a bottom view of the exercise handle in FIG. 1.

FIG. 9 is an upper front perspective view of an alternate embodiment of the exercise handle of the present invention.

FIG. 10 is a lower rear perspective view of the exercise handle in FIG. 9.

FIG. 11 is a left side view of the exercise handle in FIG. 9.

FIG. 12 is a right side view of the exercise handle in FIG. 9.

FIG. 13 is a rear view of the exercise handle in FIG. 9.

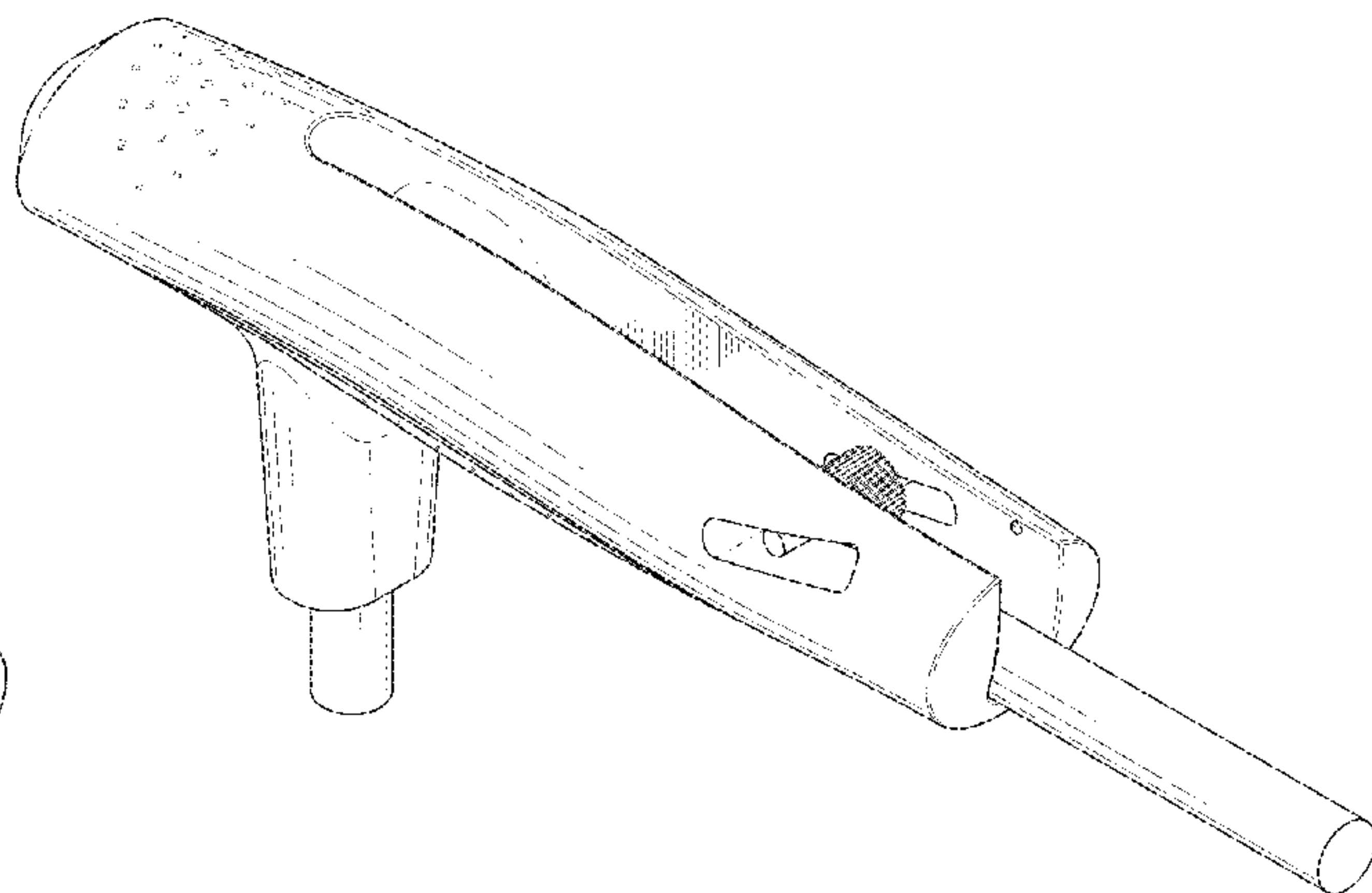
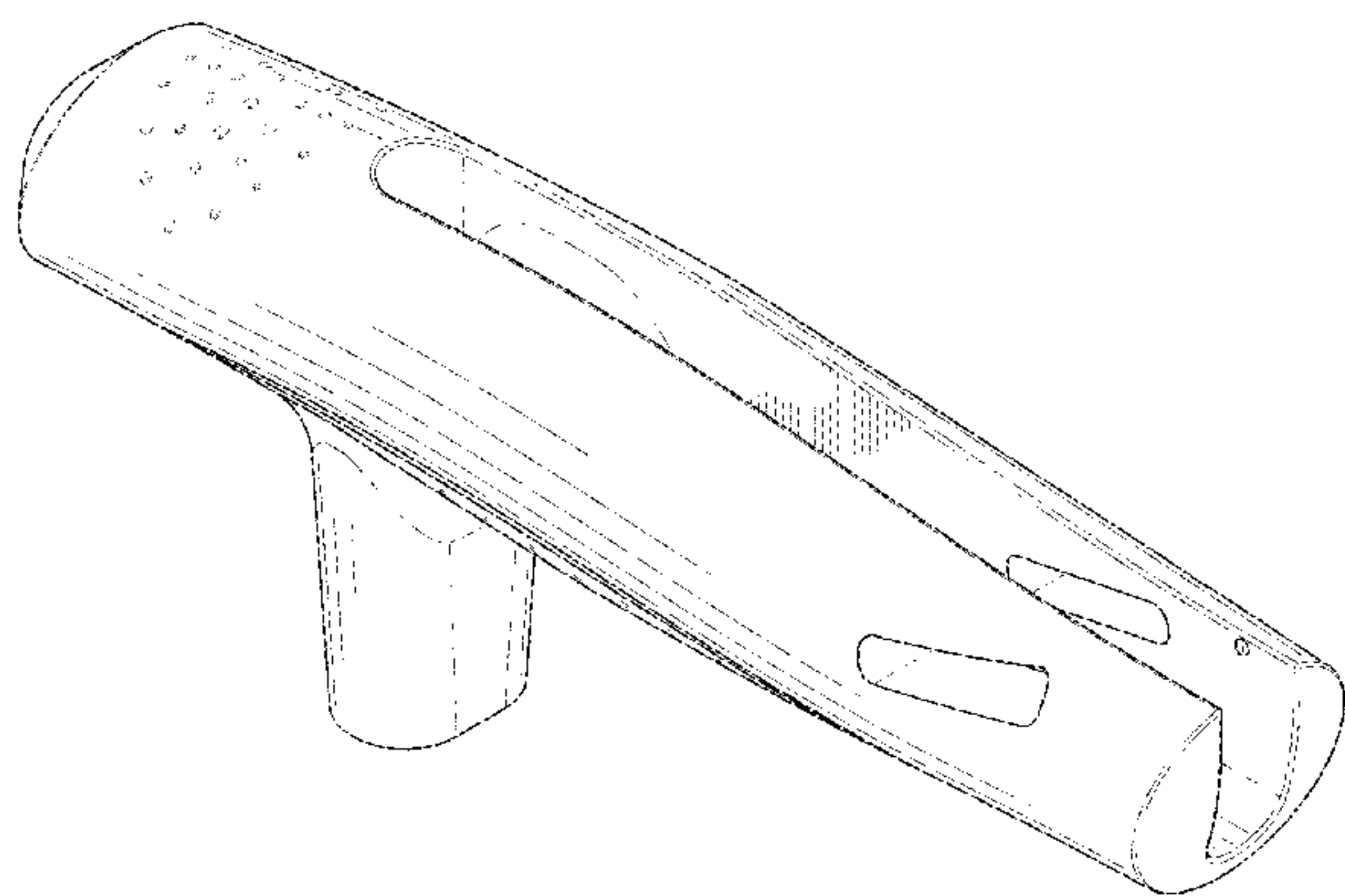
FIG. 14 is a front view of the exercise handle in FIG. 9.

FIG. 15 is a top view of the exercise handle in FIG. 9; and,

FIG. 16 is a bottom view of the exercise handle in FIG. 9.

The broken line showing various components of the exercise handle is for the purpose of illustrating portions of the article that forms no part of the claimed design.

1 Claim, 16 Drawing Sheets



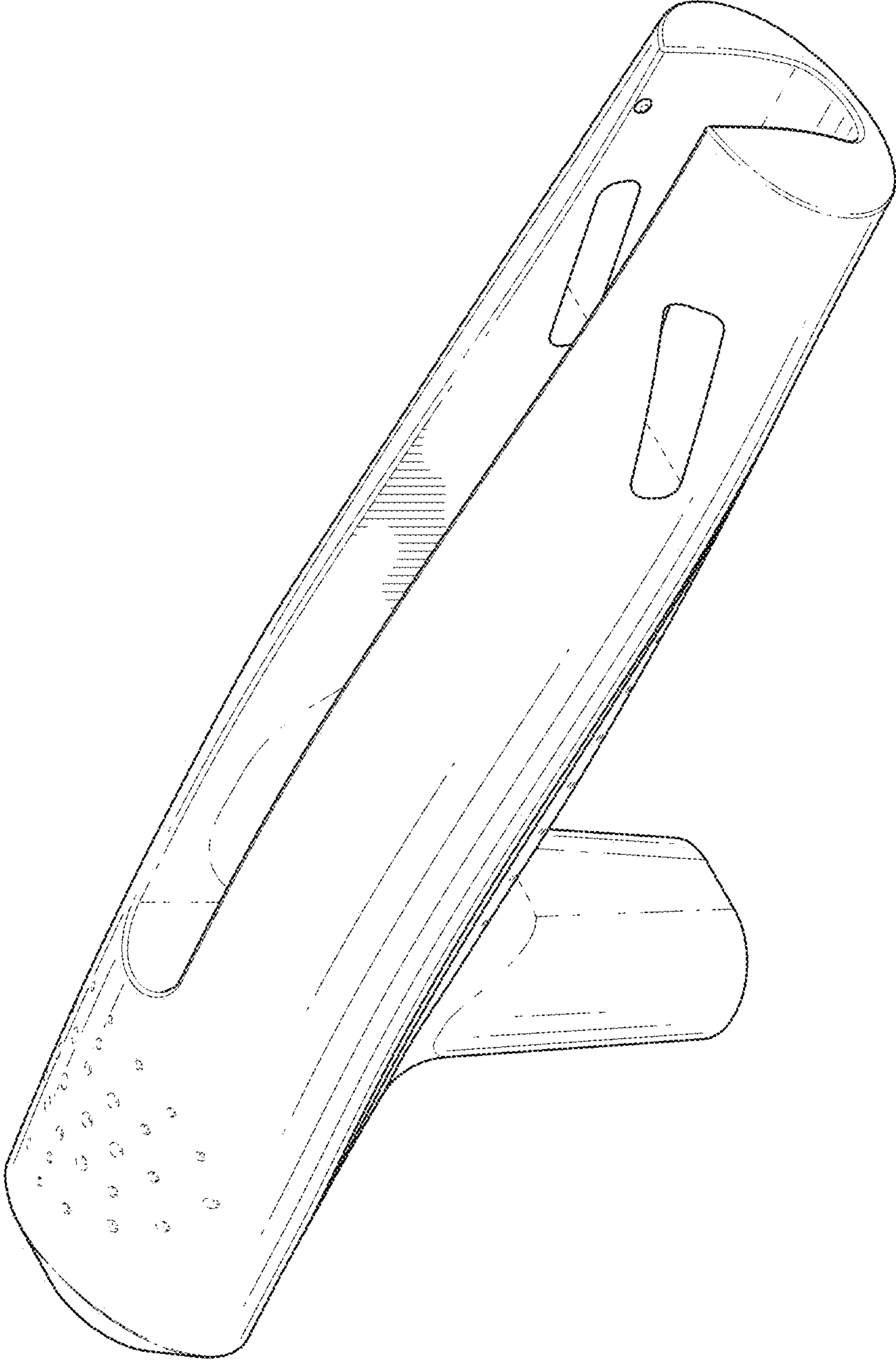


FIG. 1

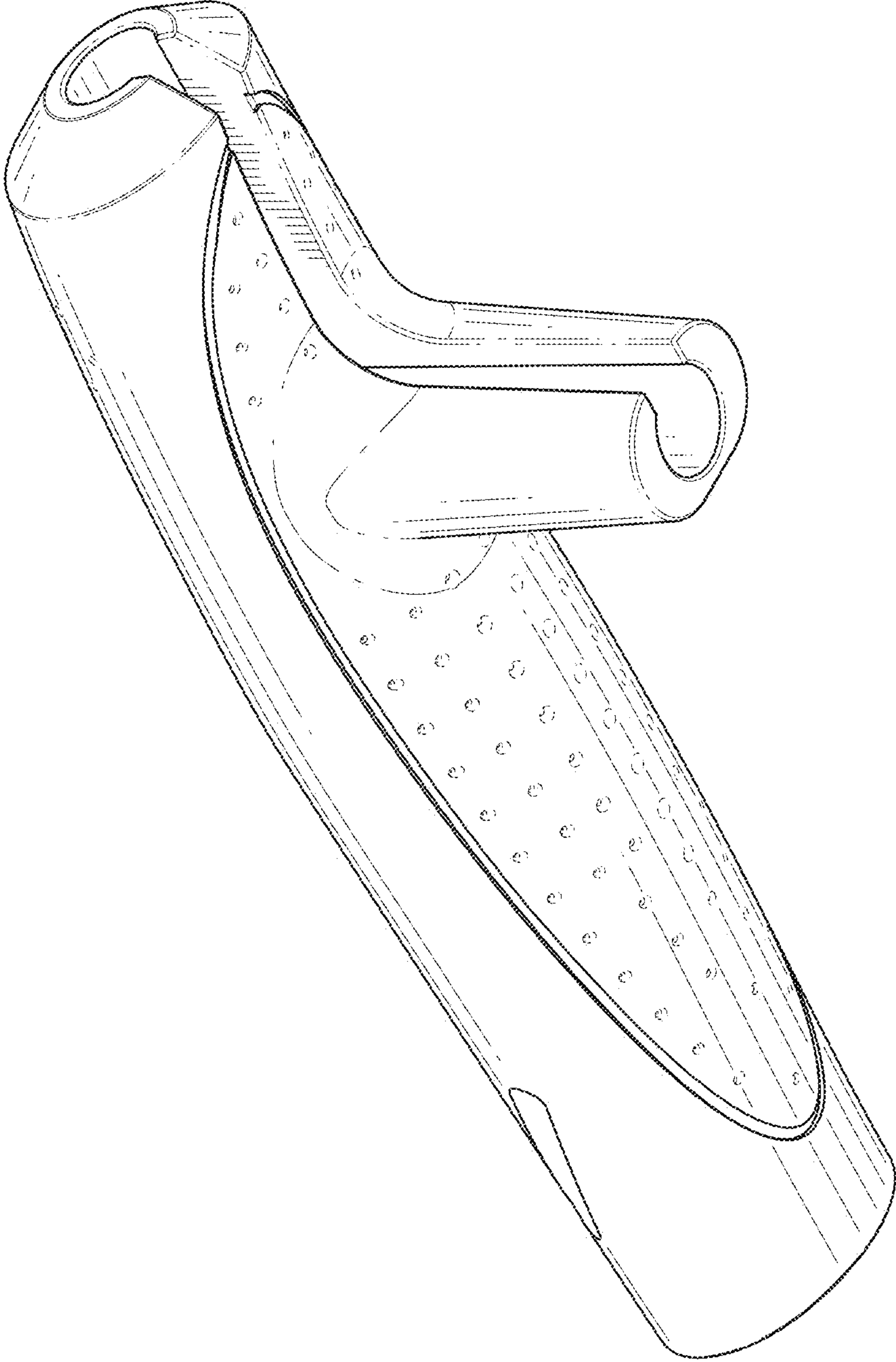


FIG. 2

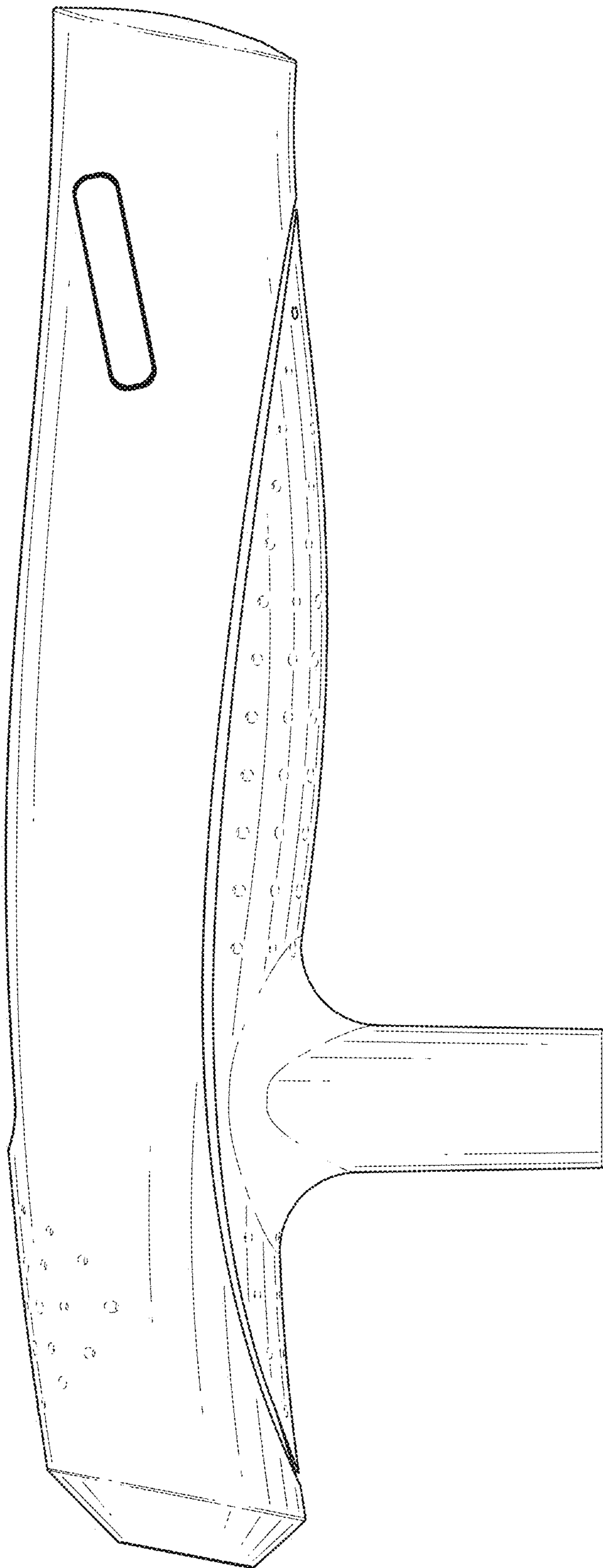


FIG. 3

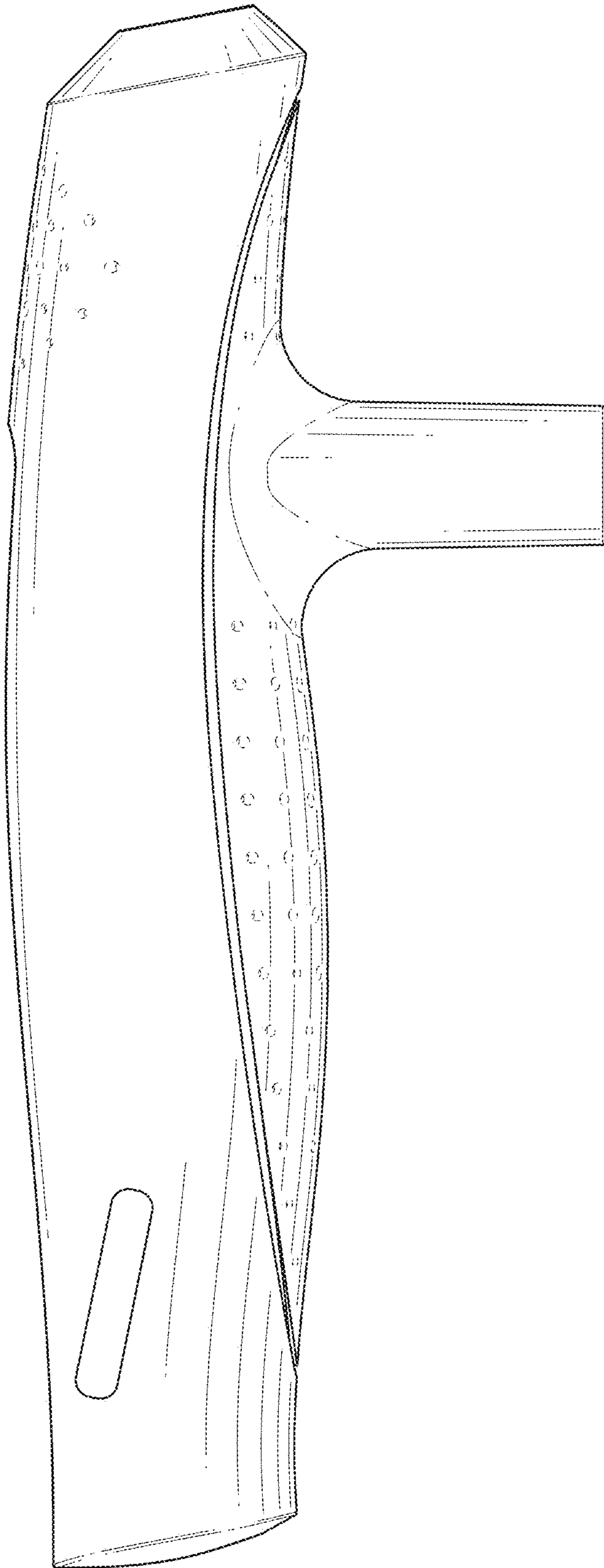


FIG.4

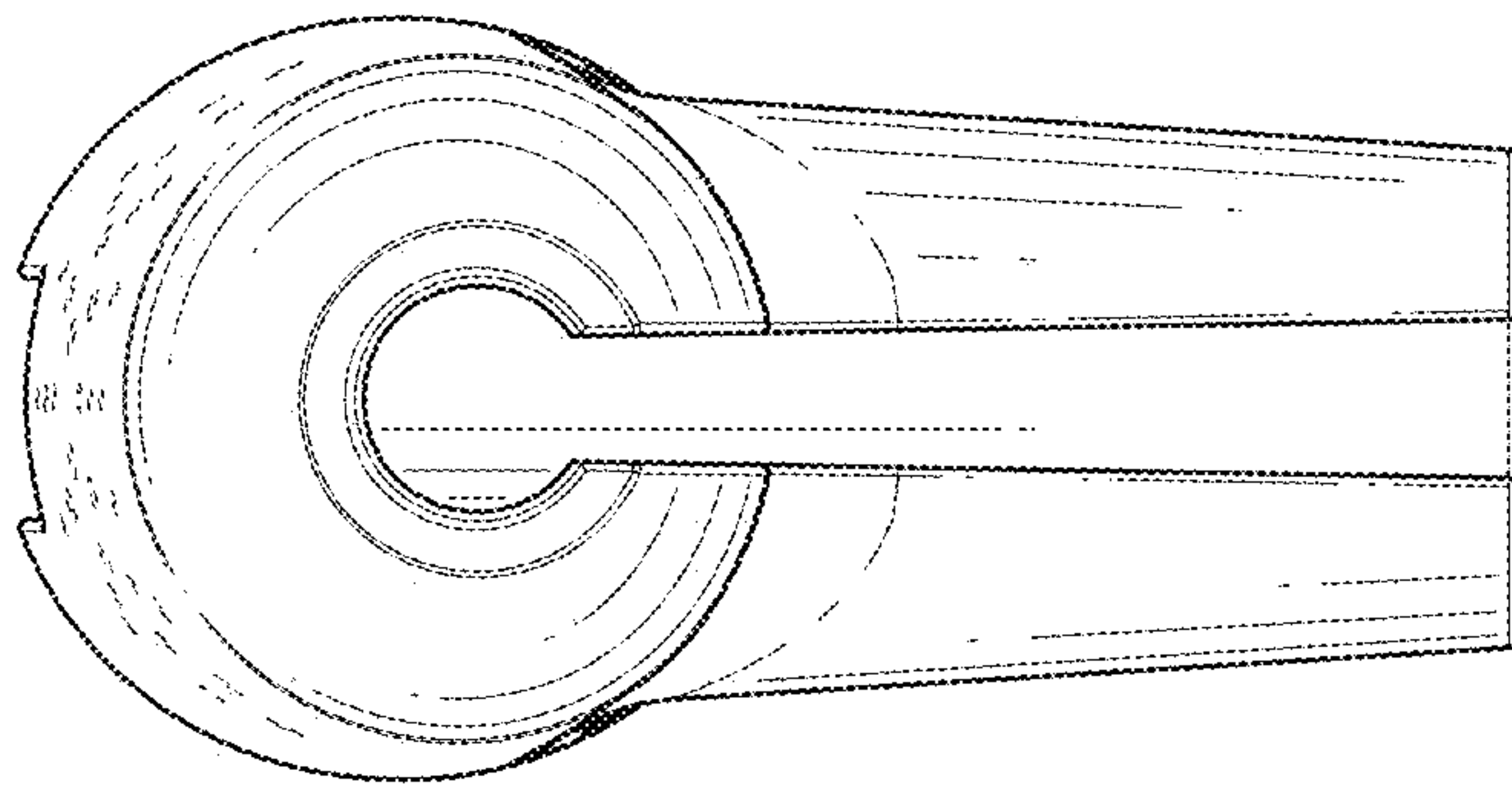


FIG. 5

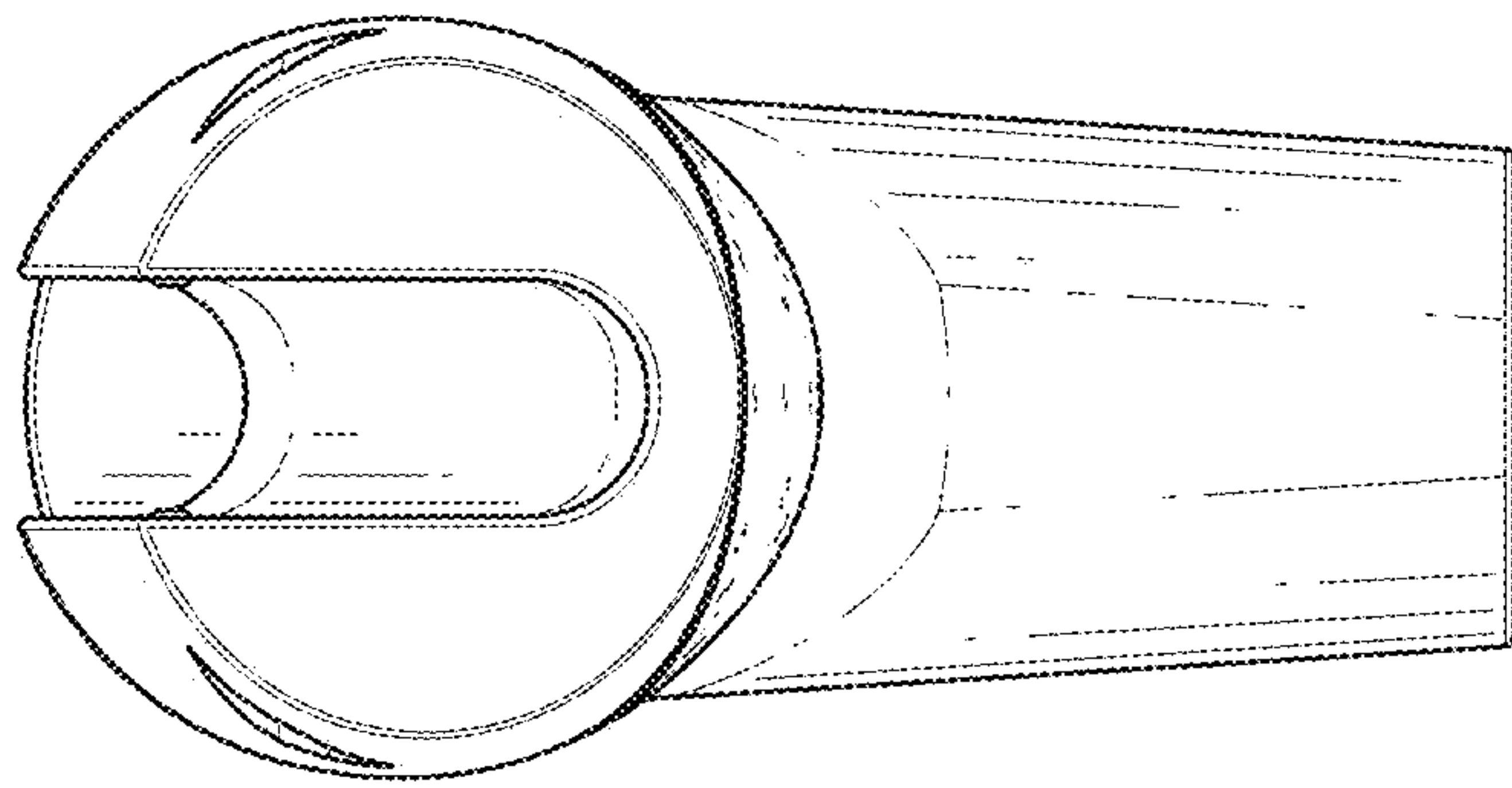


FIG. 6

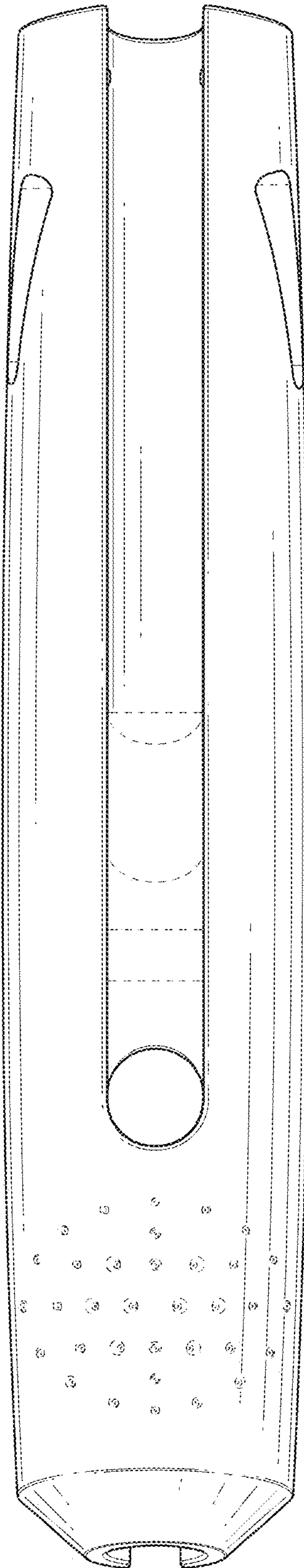


FIG. 7

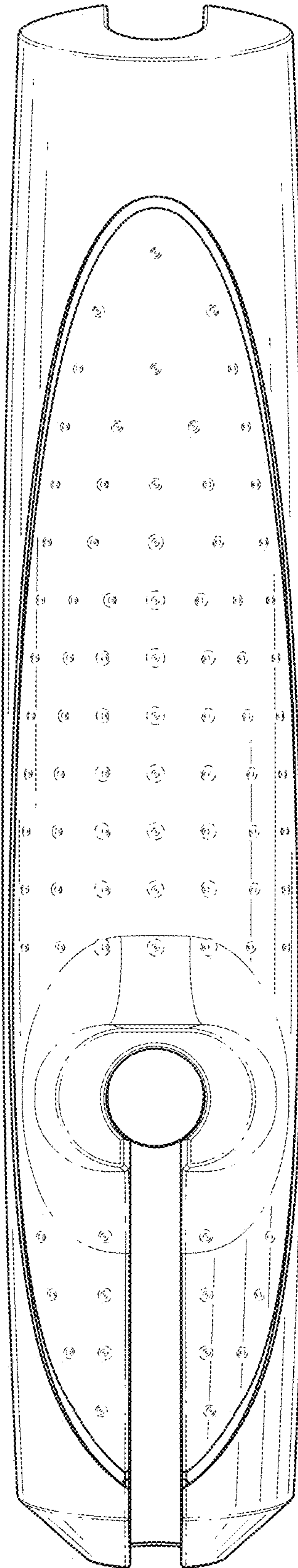


FIG. 8

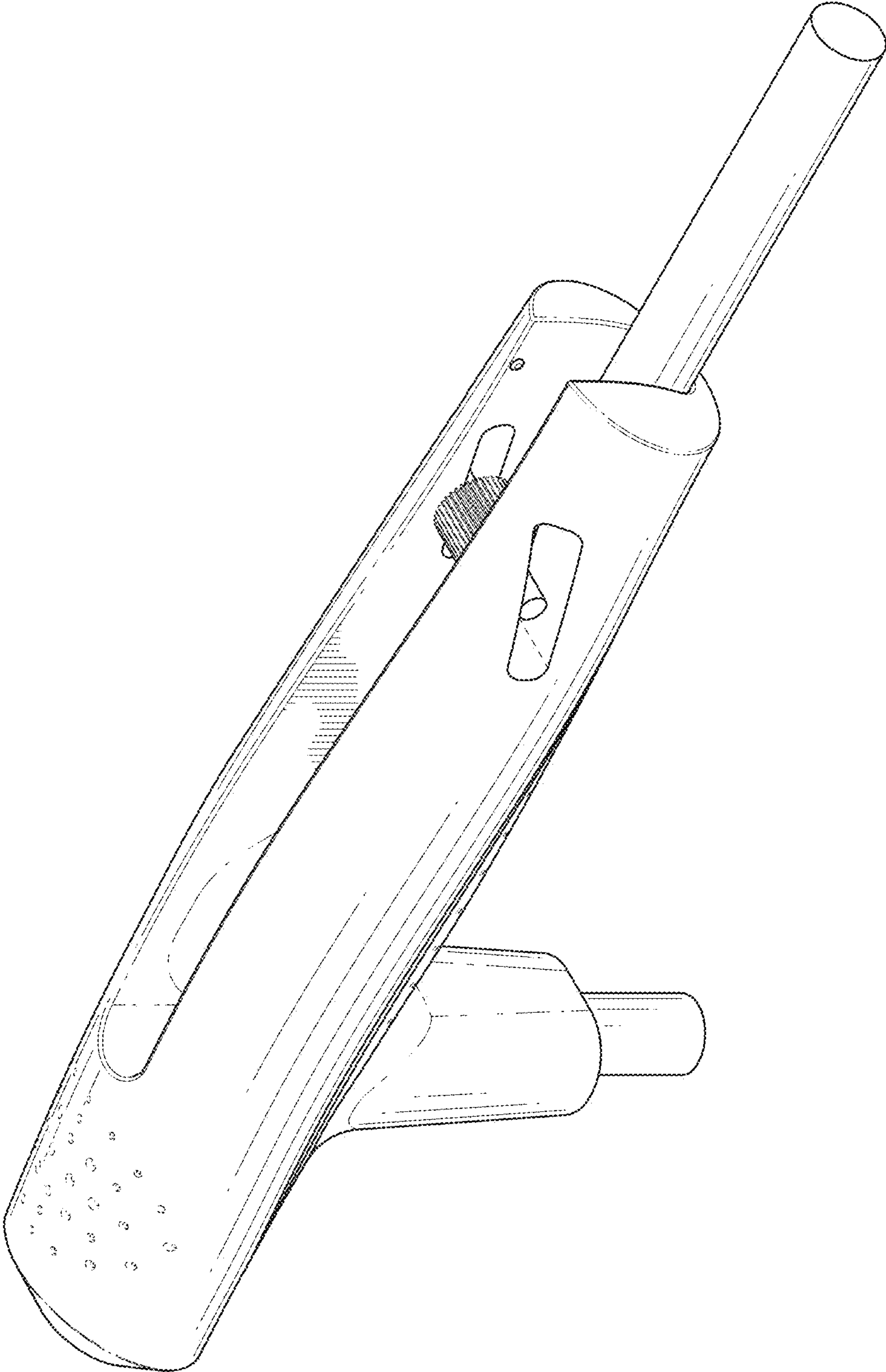


FIG. 9

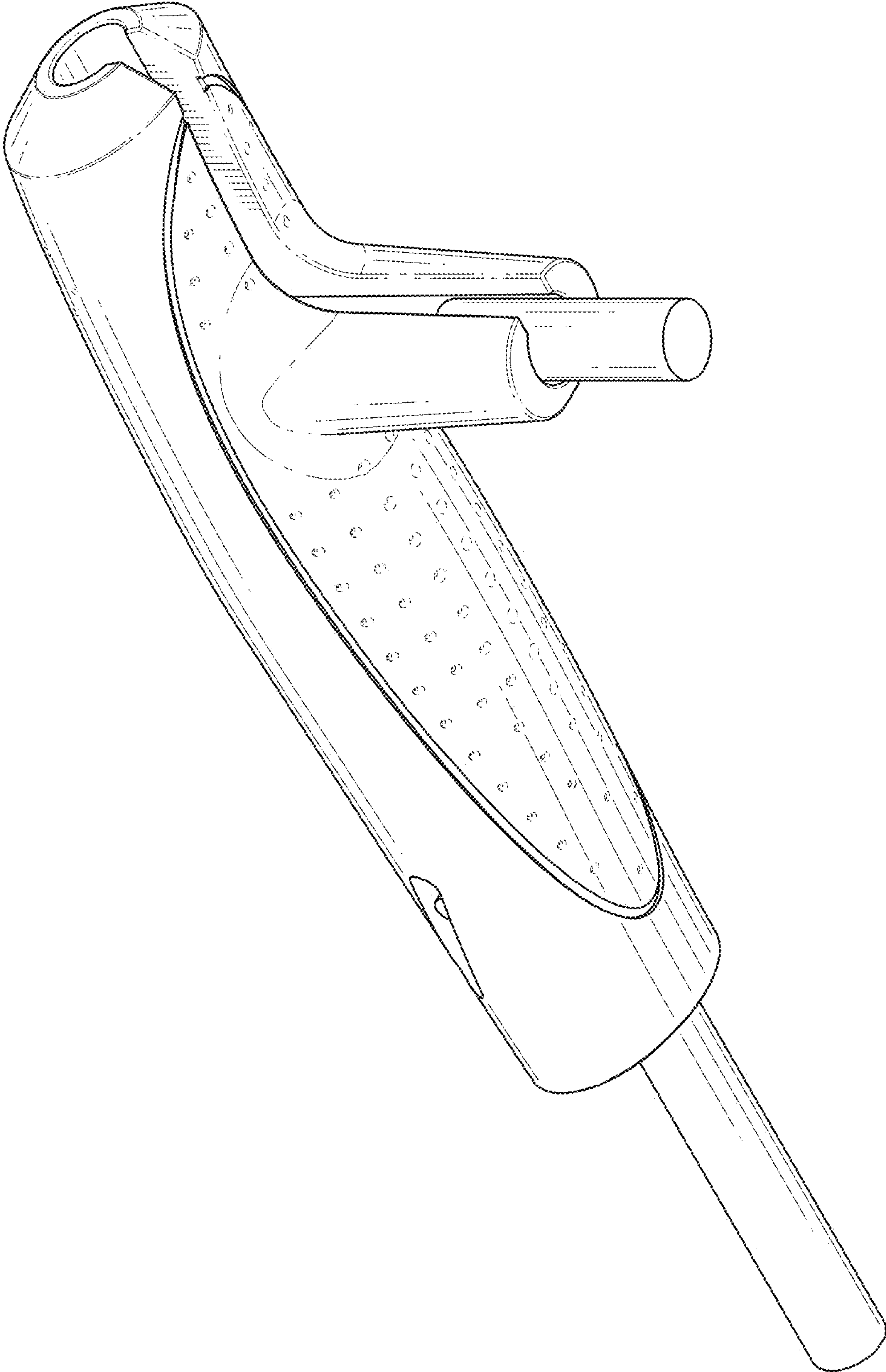


FIG. 10

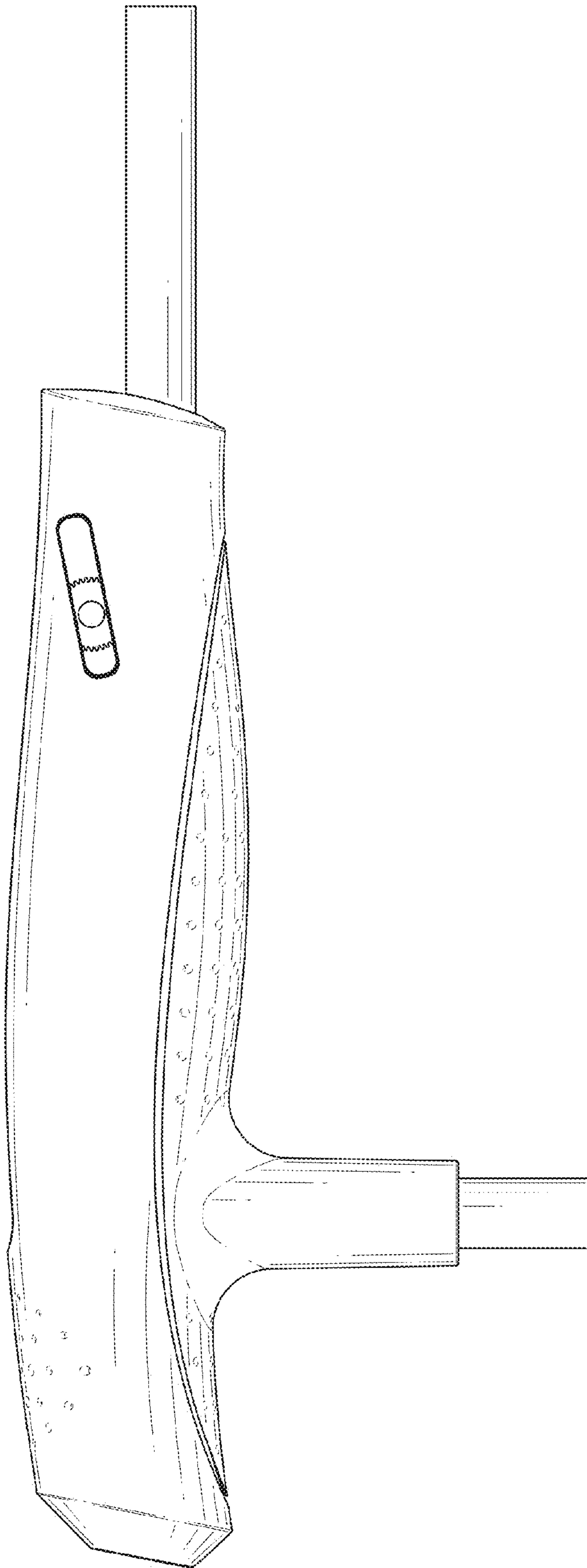


FIG.11

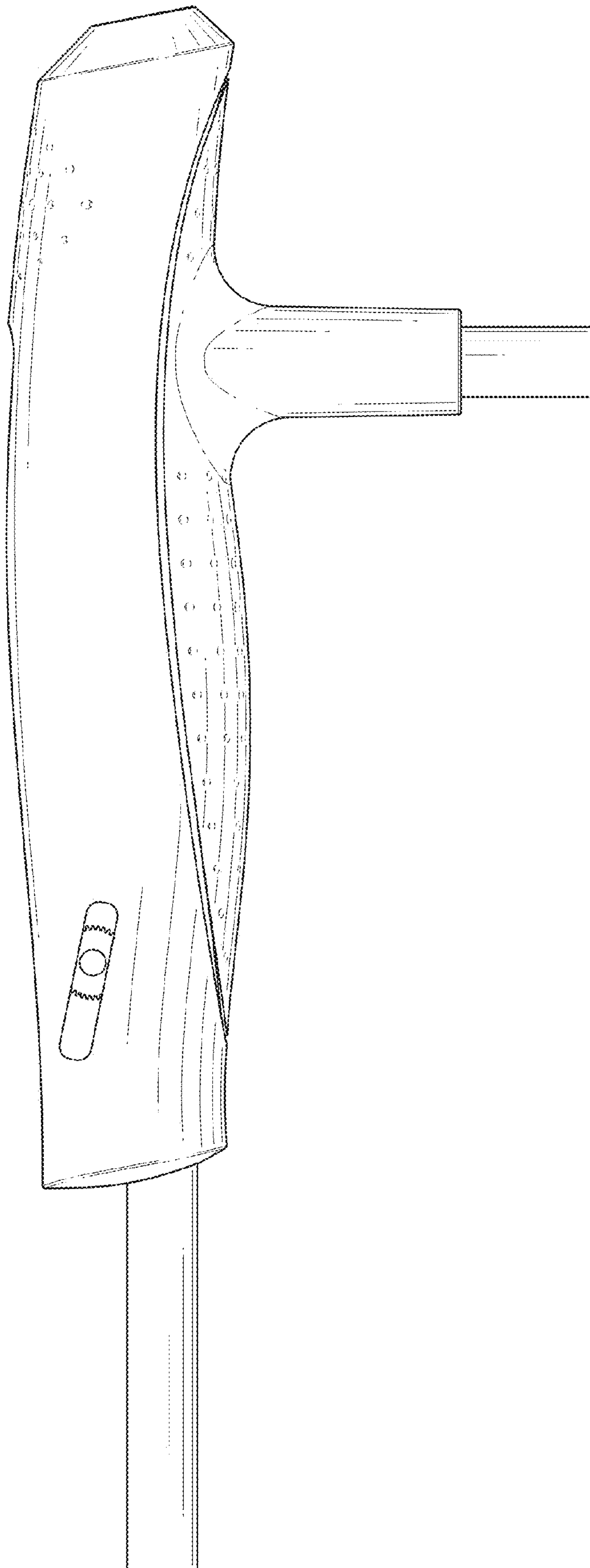


FIG.12

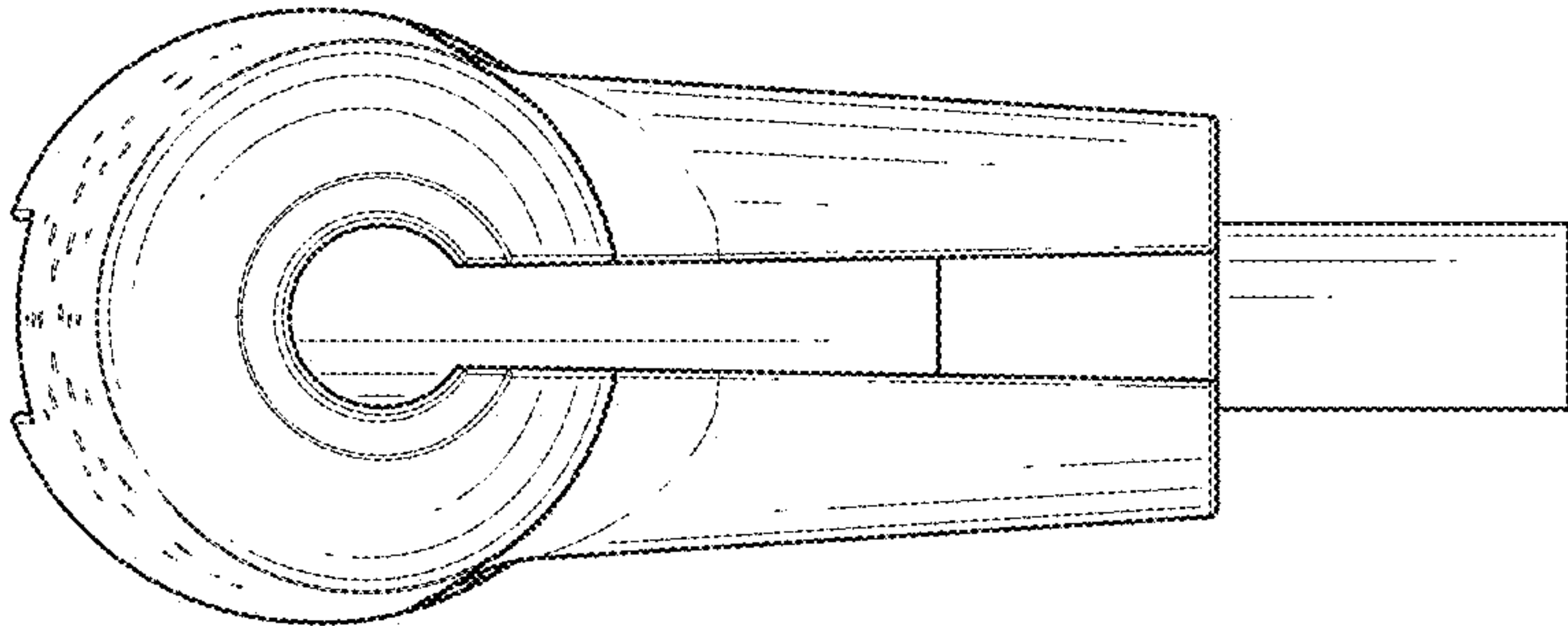


FIG. 13

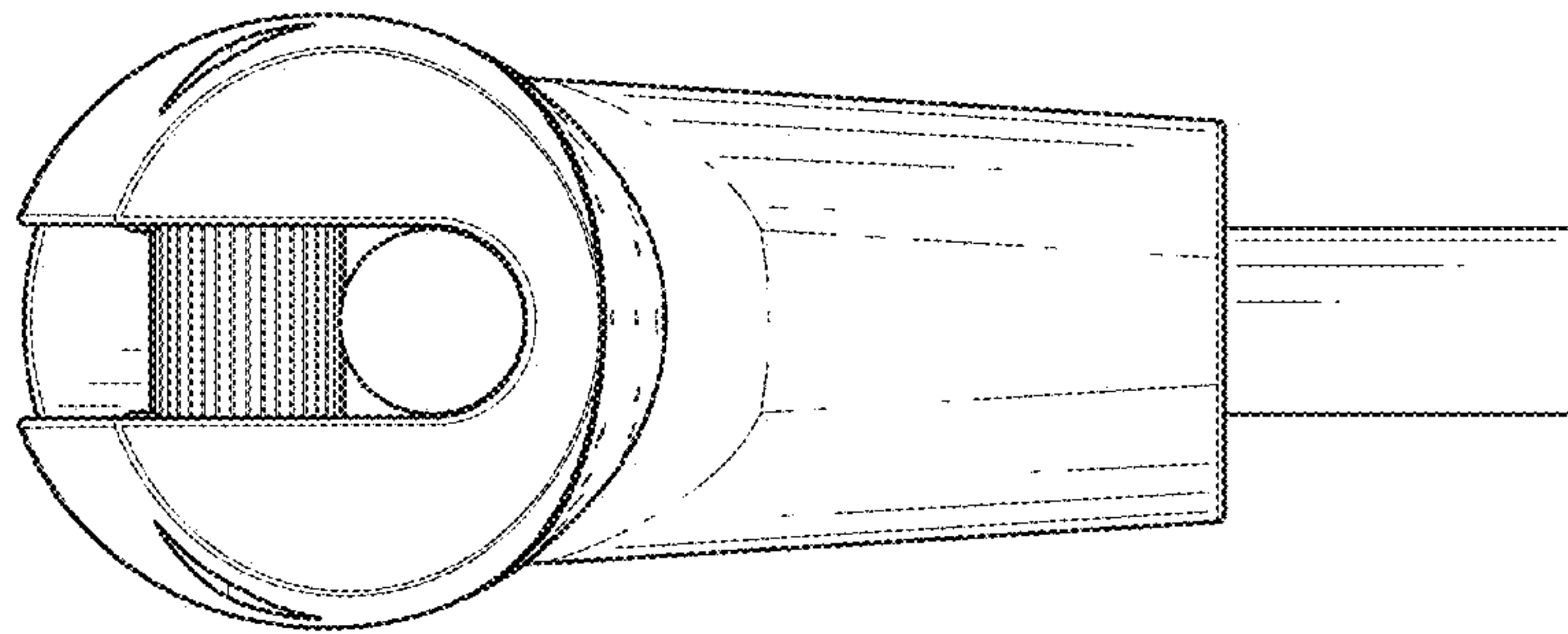


FIG. 14

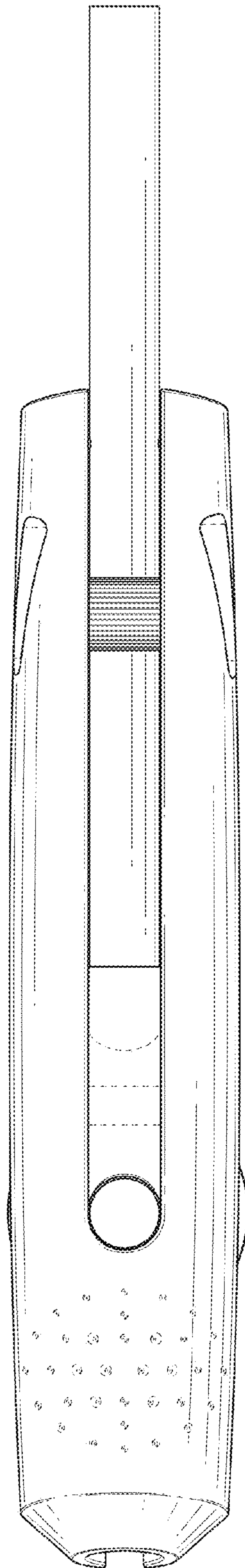


FIG. 15

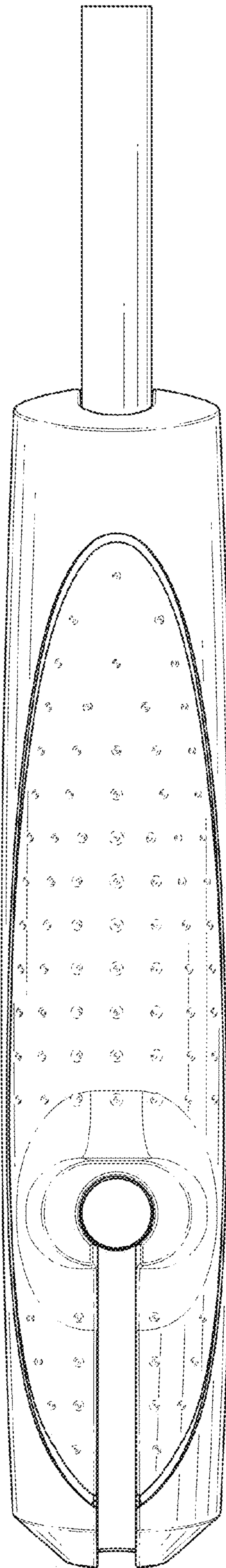


FIG. 16