



US00D969938S

(12) **United States Design Patent** (10) **Patent No.:** **US D969,938 S**  
**Zhu** (45) **Date of Patent:** **\*\* Nov. 15, 2022**

(54) **EXERCISE BIKE**  
(71) Applicant: **Ningbo Powerful Electrical Appliance Co., Ltd, Zhejiang (CN)**  
(72) Inventor: **Fuzhen Zhu, Zhejiang (CN)**  
(73) Assignee: **Ningbo Powerful Electrical Appliance Co., Ltd, Zhejiang (CN)**

(\*\*) Term: **15 Years**  
(21) Appl. No.: **29/745,595**  
(22) Filed: **Aug. 7, 2020**

(30) **Foreign Application Priority Data**  
Jun. 30, 2020 (CN) ..... 202030342916.1  
(51) **LOC (13) Cl.** ..... **21-02**  
(52) **U.S. Cl.**  
USPC ..... **D21/663**  
(58) **Field of Classification Search**  
USPC ..... D21/663, 662, 694, 697; D12/111  
CPC ..... A63B 71/0622; A63B 2225/50; A63B  
23/1209; A63B 71/0619; A63B 22/0012  
See application file for complete search history.

(56) **References Cited**

U.S. PATENT DOCUMENTS

D407,767 S \* 4/1999 Chang ..... D21/663  
D429,508 S \* 8/2000 Clive ..... D21/663  
D459,775 S \* 7/2002 Chen ..... D21/697  
D463,514 S \* 9/2002 Chen ..... D21/697  
9,750,343 B2 \* 9/2017 McBride ..... A63B 22/0605  
D807,443 S \* 1/2018 Hsieh ..... D21/667  
10,052,516 B1 \* 8/2018 Lin ..... A63B 23/1209  
D831,758 S \* 10/2018 Pei ..... D21/663  
D863,465 S \* 10/2019 Lentine ..... D21/663  
10,549,148 B2 \* 2/2020 Hsu ..... A63B 24/0087  
10,953,274 B2 \* 3/2021 Hsu ..... A63B 22/0605  
D936,760 S \* 11/2021 Sun ..... D21/663  
11,413,496 B2 \* 8/2022 Wang ..... A63B 22/0605

2016/0346595 A1 \* 12/2016 Dalebout ..... A63B 22/0012  
2017/0043207 A1 \* 2/2017 Zeng ..... A63B 22/0012  
2017/0259111 A1 \* 9/2017 Hsieh ..... A63B 22/0605  
2019/0151707 A1 \* 5/2019 Wang ..... A63B 71/0619

FOREIGN PATENT DOCUMENTS

EM 008752091-0002 \* 11/2021

OTHER PUBLICATIONS

PLENY Folding Exercise Stationary Bike, first available Jul. 31, 2018, amazon.com [online], [site visited May 18, 2022], Available from internet URL: <https://amzn.to/38v719v> (Year: 2018).  
Leikefitness LEIKE X Bike Ultra-Quiet Folding Exercise Bike, first available Sep. 25, 2019, amazon.com [online], [site visited May 18, 2022], Available from internet URL: <https://amzn.to/3PFzSIW> (Year: 2019).\*

\* cited by examiner

*Primary Examiner* — Jack Reickel  
*Assistant Examiner* — Salamah Jordan  
(74) *Attorney, Agent, or Firm* — JCIP Global Inc.

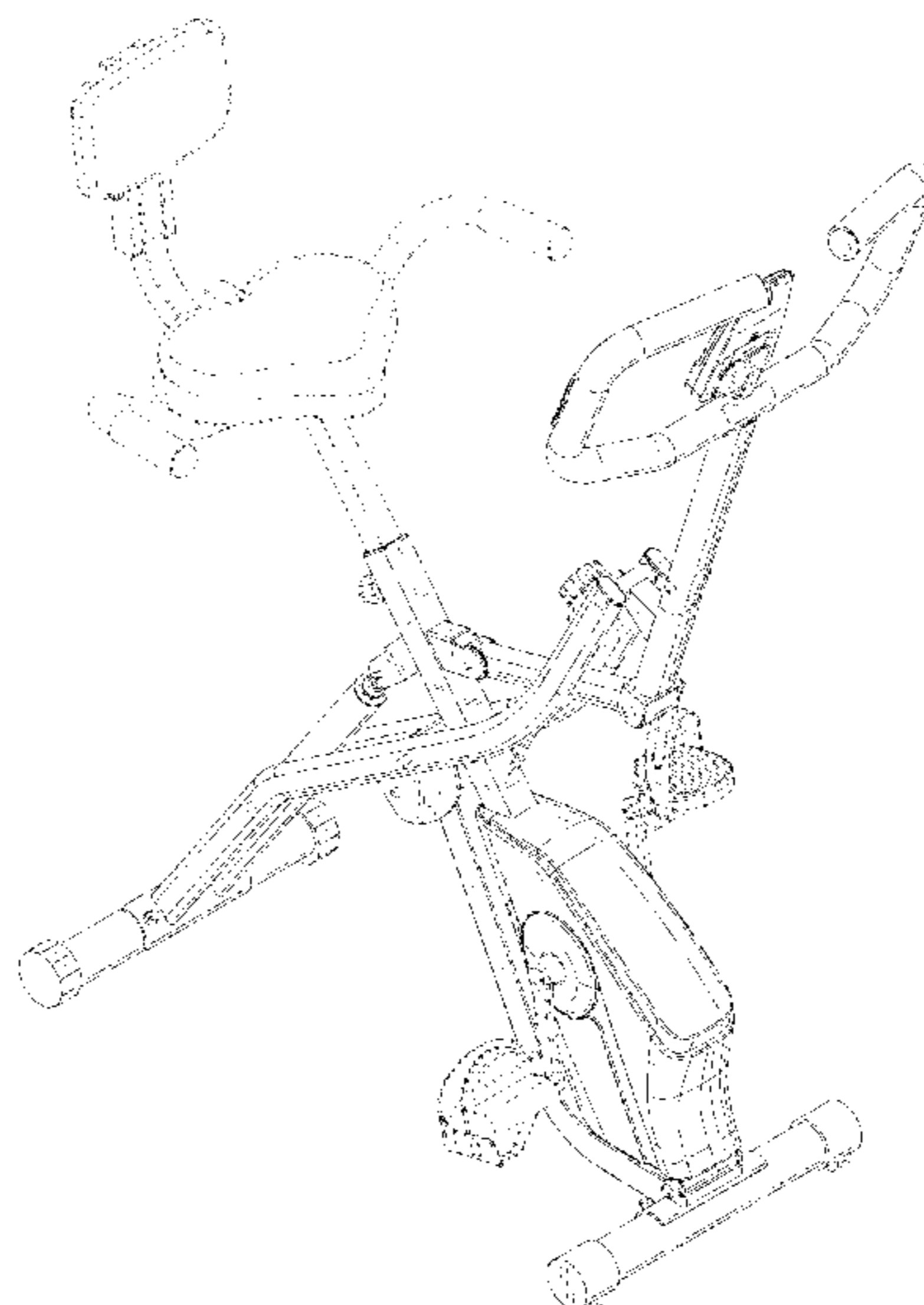
(57) **CLAIM**

The ornamental design for an exercise bike, as shown and described.

**DESCRIPTION**

FIG. 1 is a perspective view of an exercise bike showing my new design;  
FIG. 2 is a front view thereof;  
FIG. 3 is a rear view thereof;  
FIG. 4 is a left side view thereof;  
FIG. 5 is a right side view thereof;  
FIG. 6 is a top view thereof; and,  
FIG. 7 is a bottom view thereof.  
The broken line showing of an exercise bike is included for the purpose of illustrating portions of the article and forms no part of the claimed design.

**1 Claim, 7 Drawing Sheets**



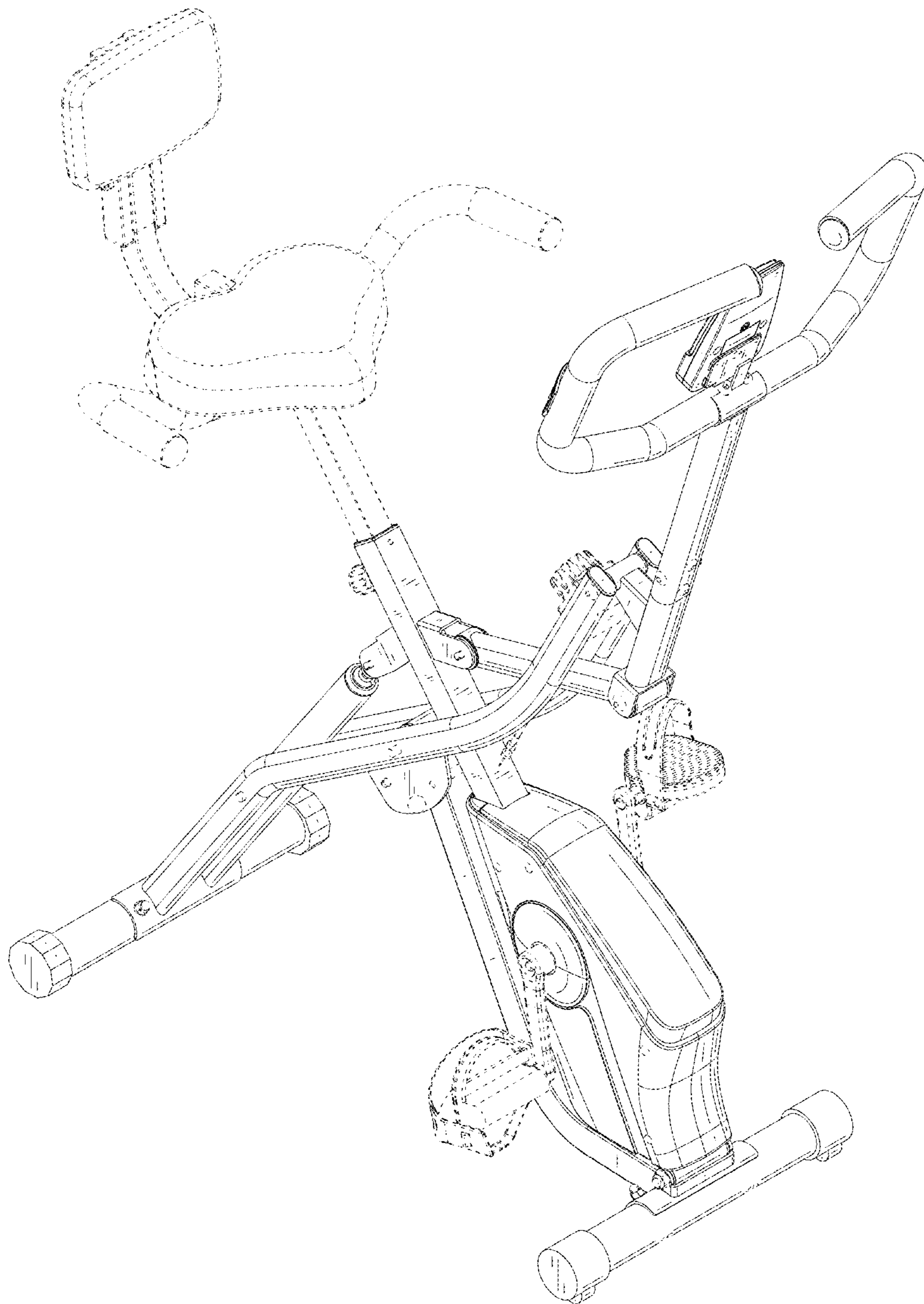


FIG. 1

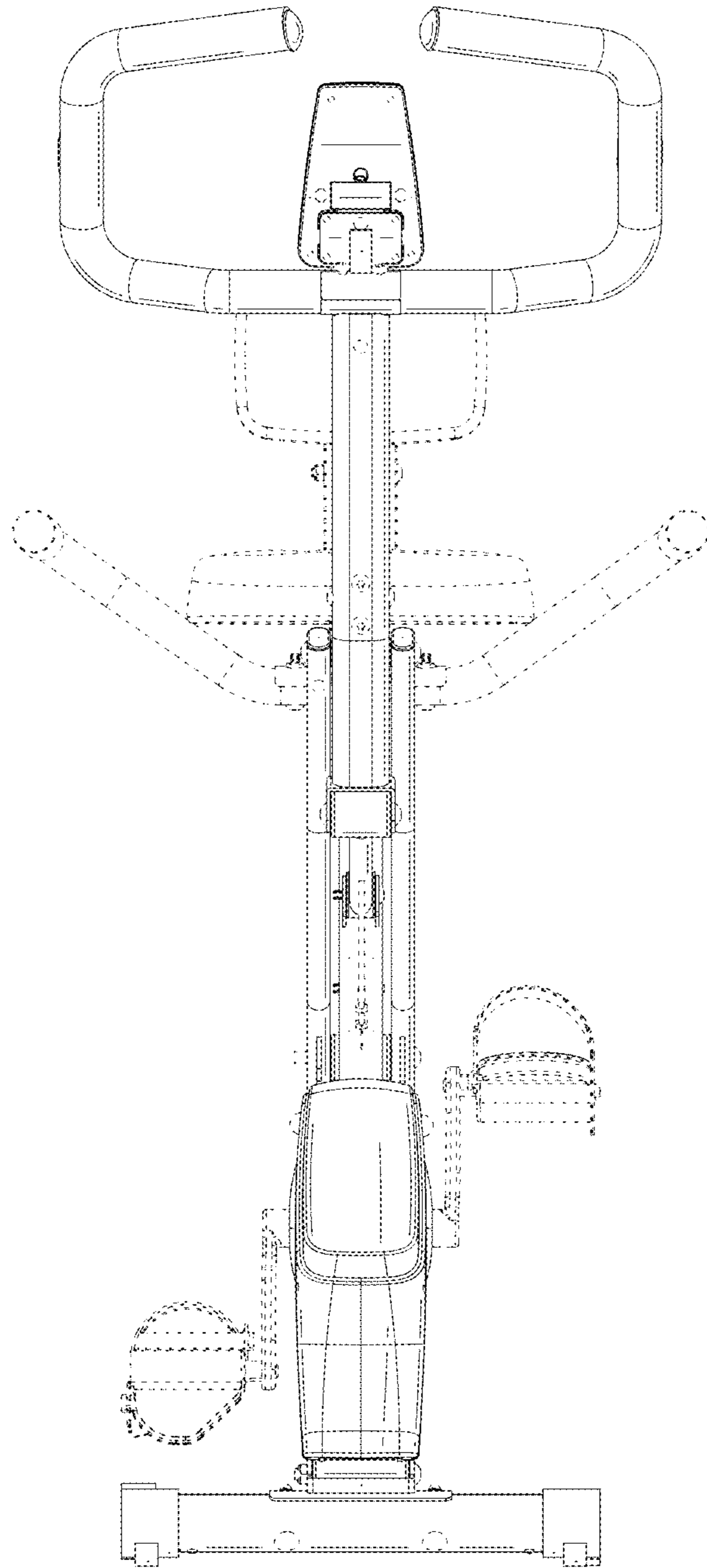


FIG. 2

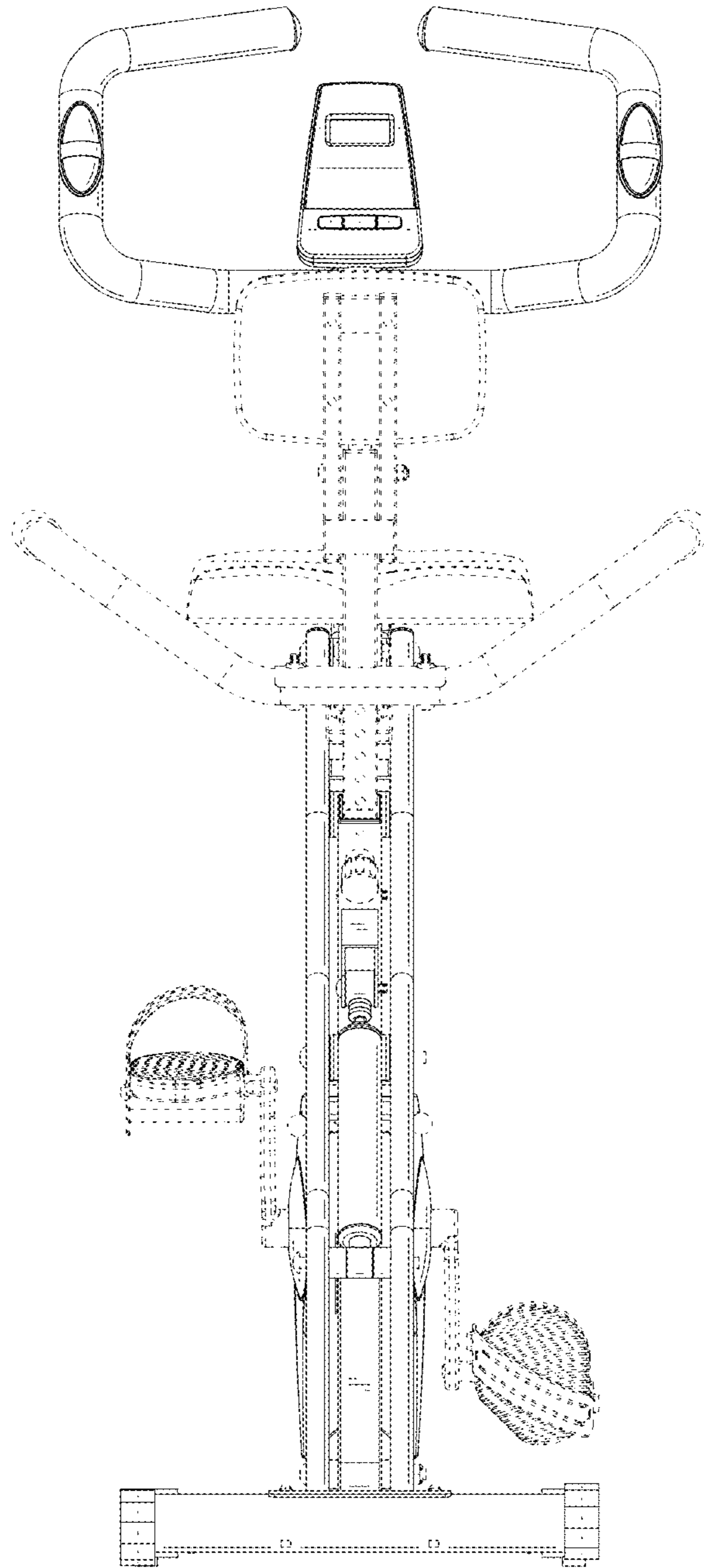


FIG. 3



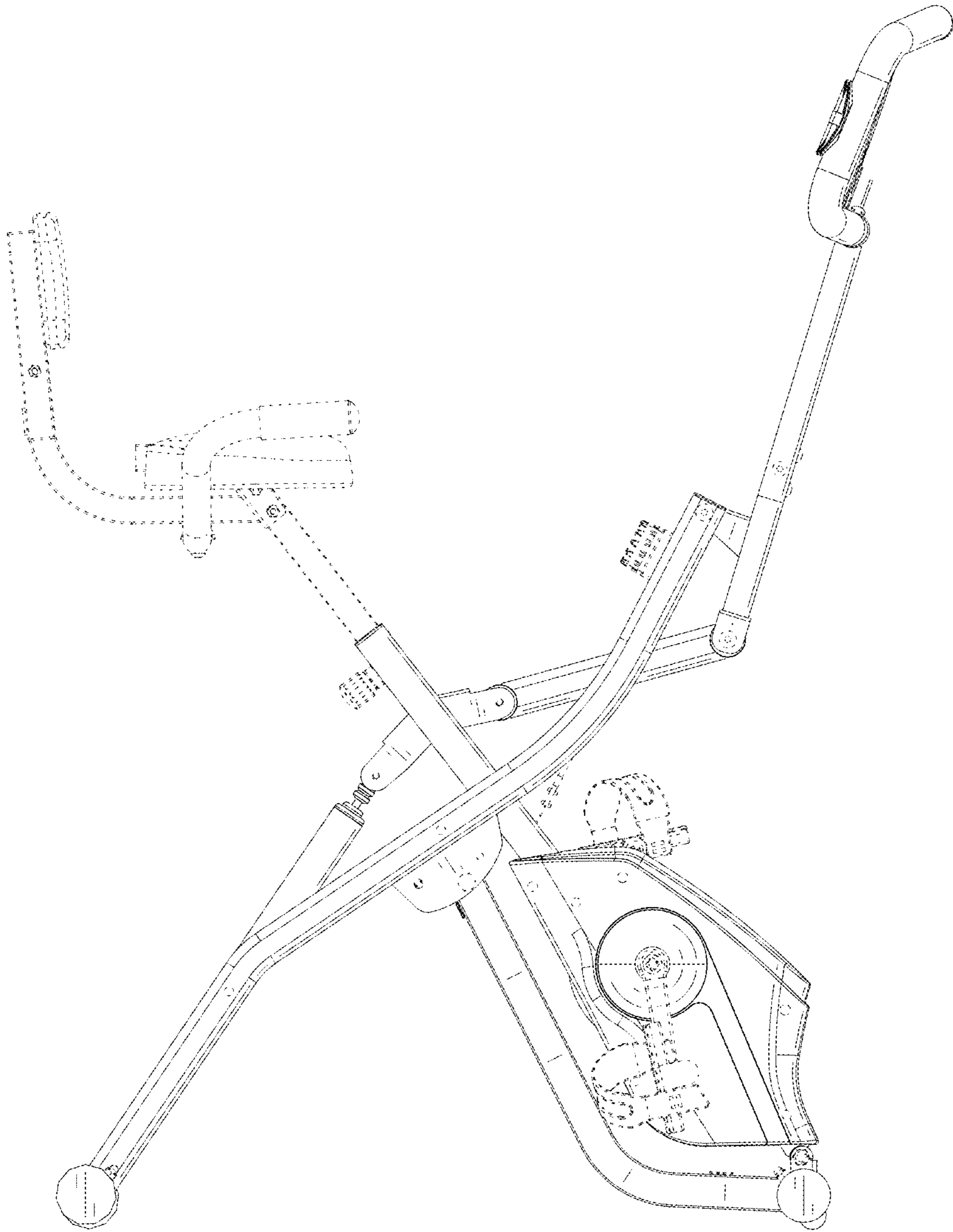


FIG. 4

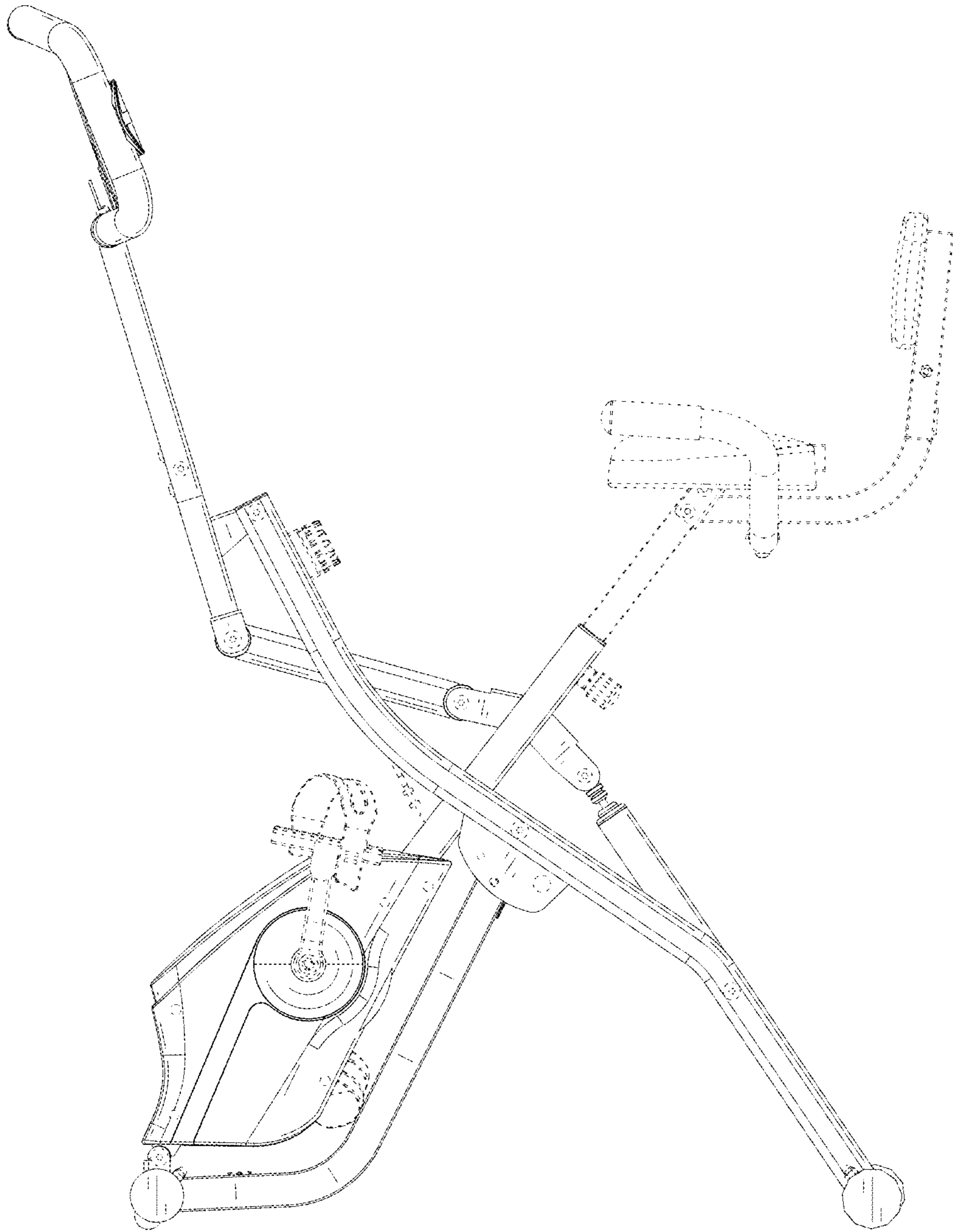


FIG. 5

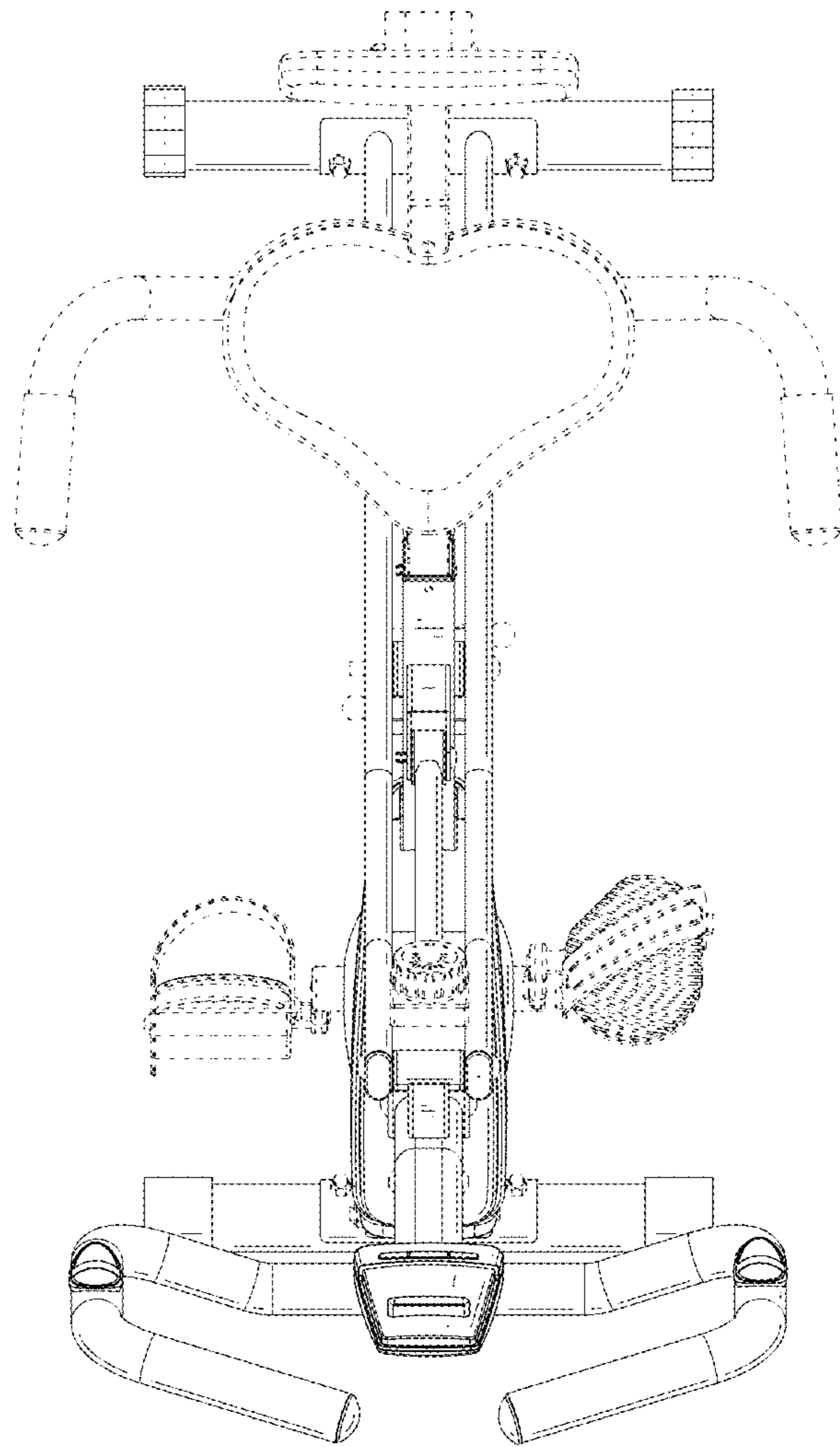


FIG. 6

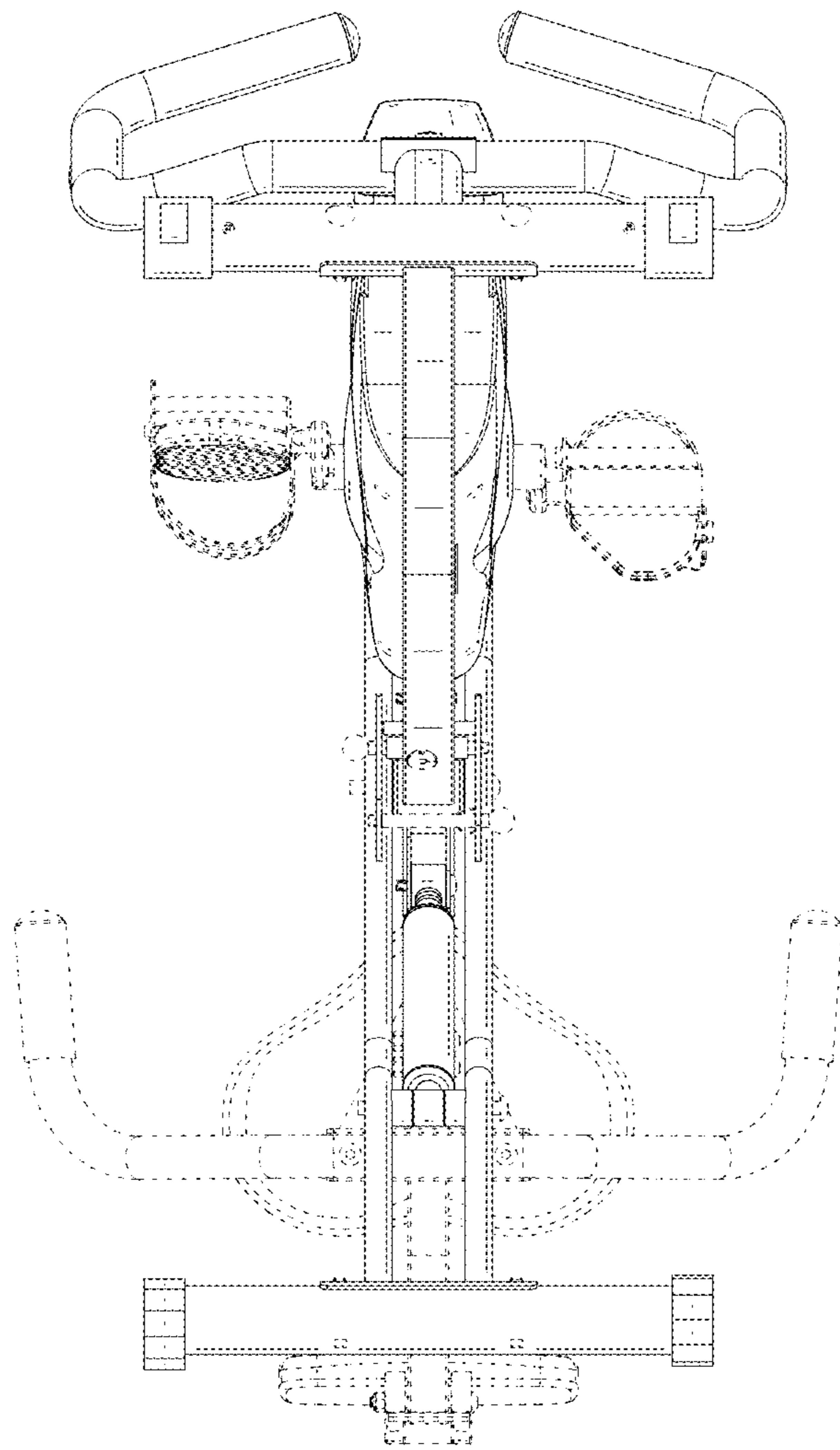


FIG. 7