

US00D96935S

(12) **United States Design Patent**
Liu

(10) **Patent No.:** **US D969,935 S**

(45) **Date of Patent:** **** Nov. 15, 2022**

(54) **AB WHEEL**

(71) Applicant: **Dongguan Chuan OptoElectronics Limited**, Guangdong (CN)

(72) Inventor: **Yiquan Liu**, Guangdong (CN)

(73) Assignee: **Dongguan Chuan OptoElectronics Limited**, Dongguan (CN)

(**) Term: **15 Years**

(21) Appl. No.: **29/762,038**

(22) Filed: **Dec. 14, 2020**

(51) **LOC (13) Cl.** **21-02**

(52) **U.S. Cl.**
USPC **D21/662**

(58) **Field of Classification Search**
USPC D21/662, 679, 680, 684, 694, 805;
D24/200, 211, 212, 213, 214, 215
CPC A63B 21/0004; A63B 21/00;
A61H 15/0092; A16H 2015/0007; A16H
2015/0028; A16H 2015/0035
See application file for complete search history.

(56) **References Cited**

U.S. PATENT DOCUMENTS

D454,929 S * 3/2002 Huang D21/662
D666,255 S * 8/2012 Babchinetskaya D21/662
D669,141 S * 10/2012 MacColl D21/662
D890,866 S * 7/2020 Religa A63B 23/0211
D24/211

D930,765 S * 9/2021 Ehtesham A63B 21/4025
D21/684
D949,252 S * 4/2022 Chen A63B 21/00185
D21/662
2012/0157274 A1* 6/2012 MacColl A63B 21/00185
482/132
2015/0328491 A1* 11/2015 Miller A63B 21/4025
482/121
2017/0080271 A1* 3/2017 Miller A63B 23/0211
2019/0336387 A1* 11/2019 Daley A63B 23/1281

* cited by examiner

Primary Examiner — Antoine Duval Davis

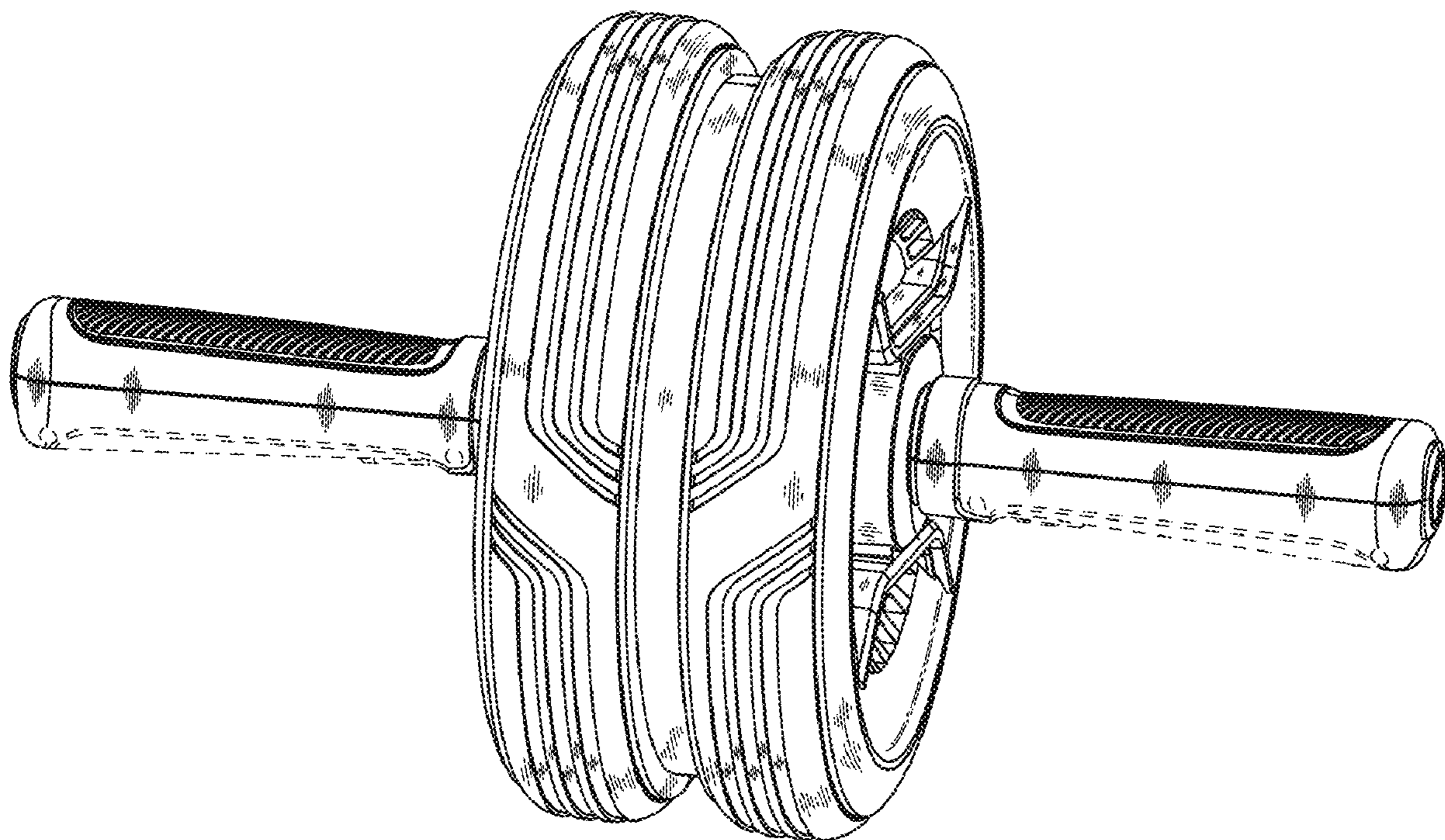
(57) **CLAIM**

The ornamental design for an AB wheel, as shown and described.

DESCRIPTION

FIG. 1 is a top, front and right side perspective view of an AB wheel showing my new design;
FIG. 2 is a top, rear and left side perspective view thereof;
FIG. 3 is a front elevational view thereof;
FIG. 4 is a rear elevational view thereof;
FIG. 5 is a left side view thereof;
FIG. 6 is a right side view thereof;
FIG. 7 is a top plan view thereof;
FIG. 8 is a bottom plan view thereof;
FIG. 9 is an enlarged view of portion 9 in FIG. 2;
FIG. 10 is an enlarged view of portion 10 in FIG. 2; and,
FIG. 11 is an enlarged view of portion 11 in FIG. 2.
The broken lines in the drawings illustrate portions of the AB wheel which form no part of the claimed design.

1 Claim, 11 Drawing Sheets



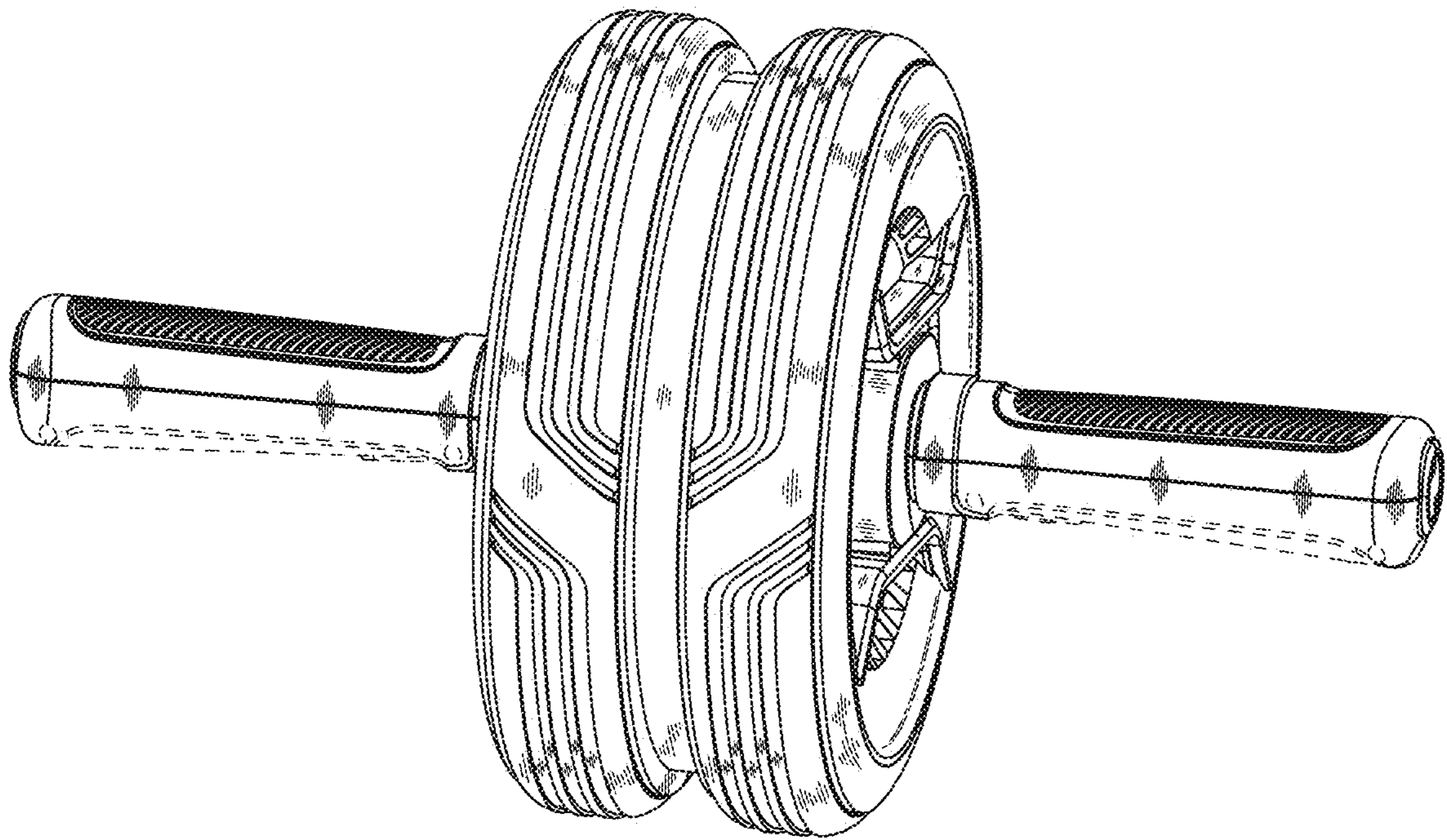


FIG. 1

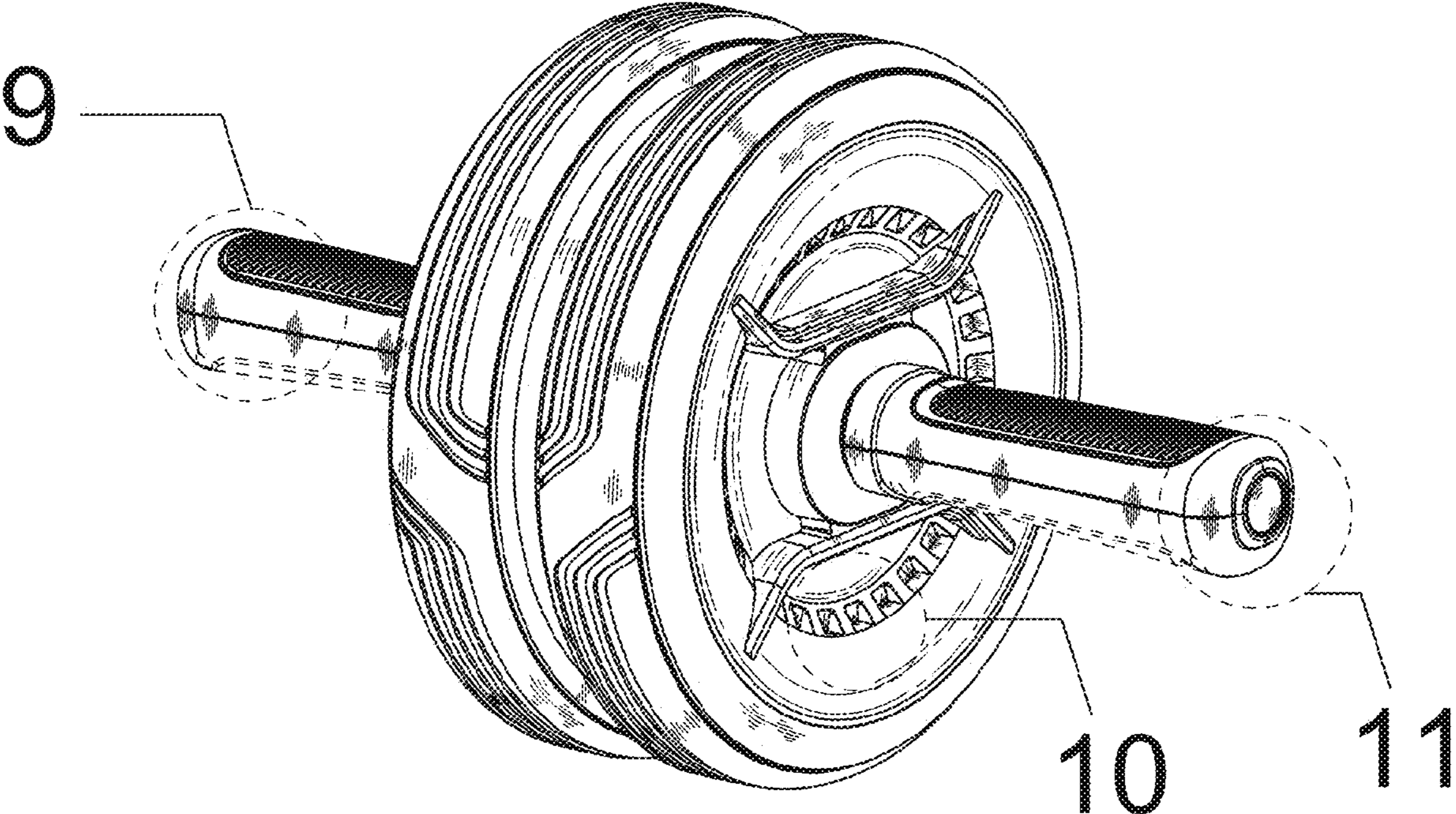


FIG.2

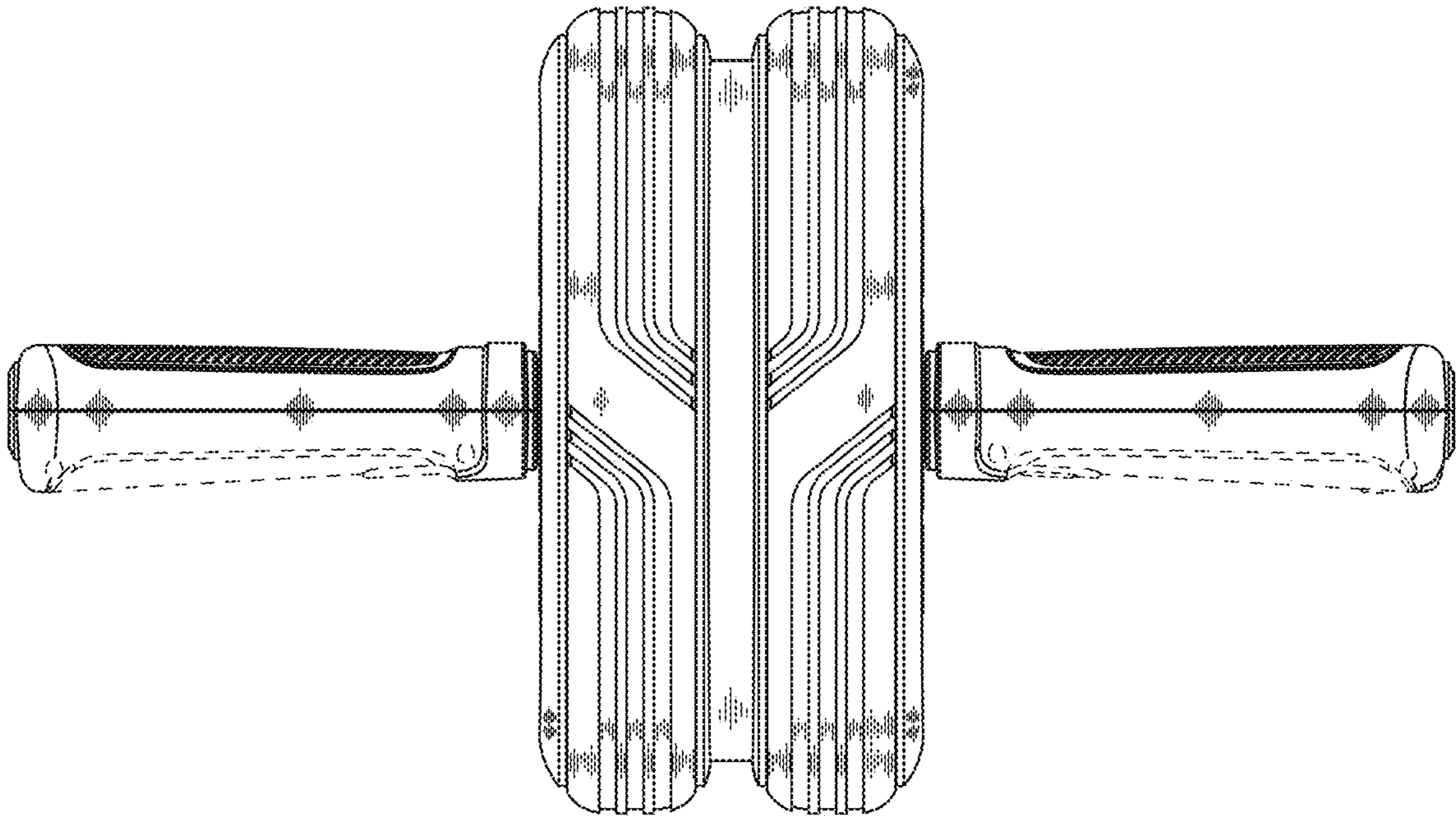


FIG.3

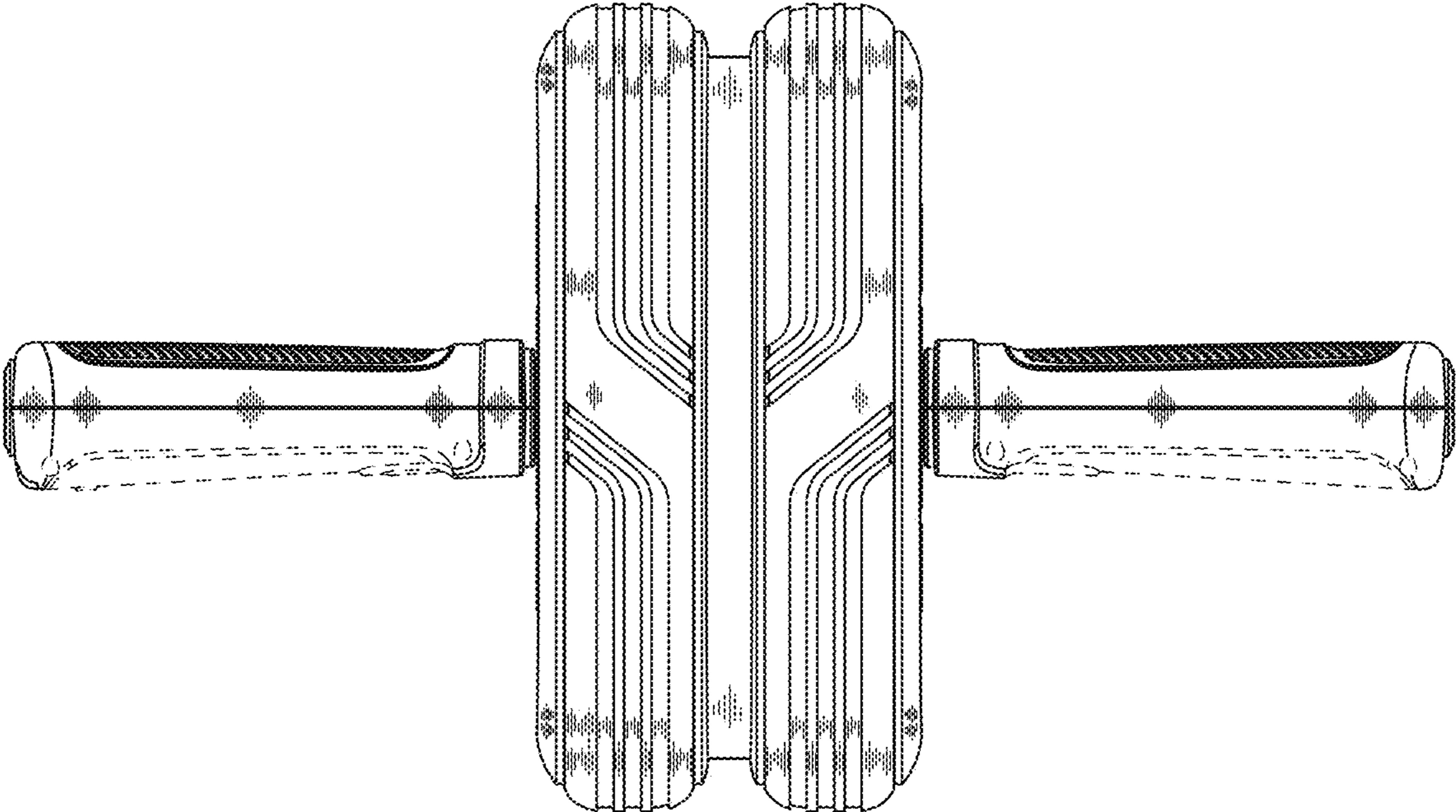


FIG.4

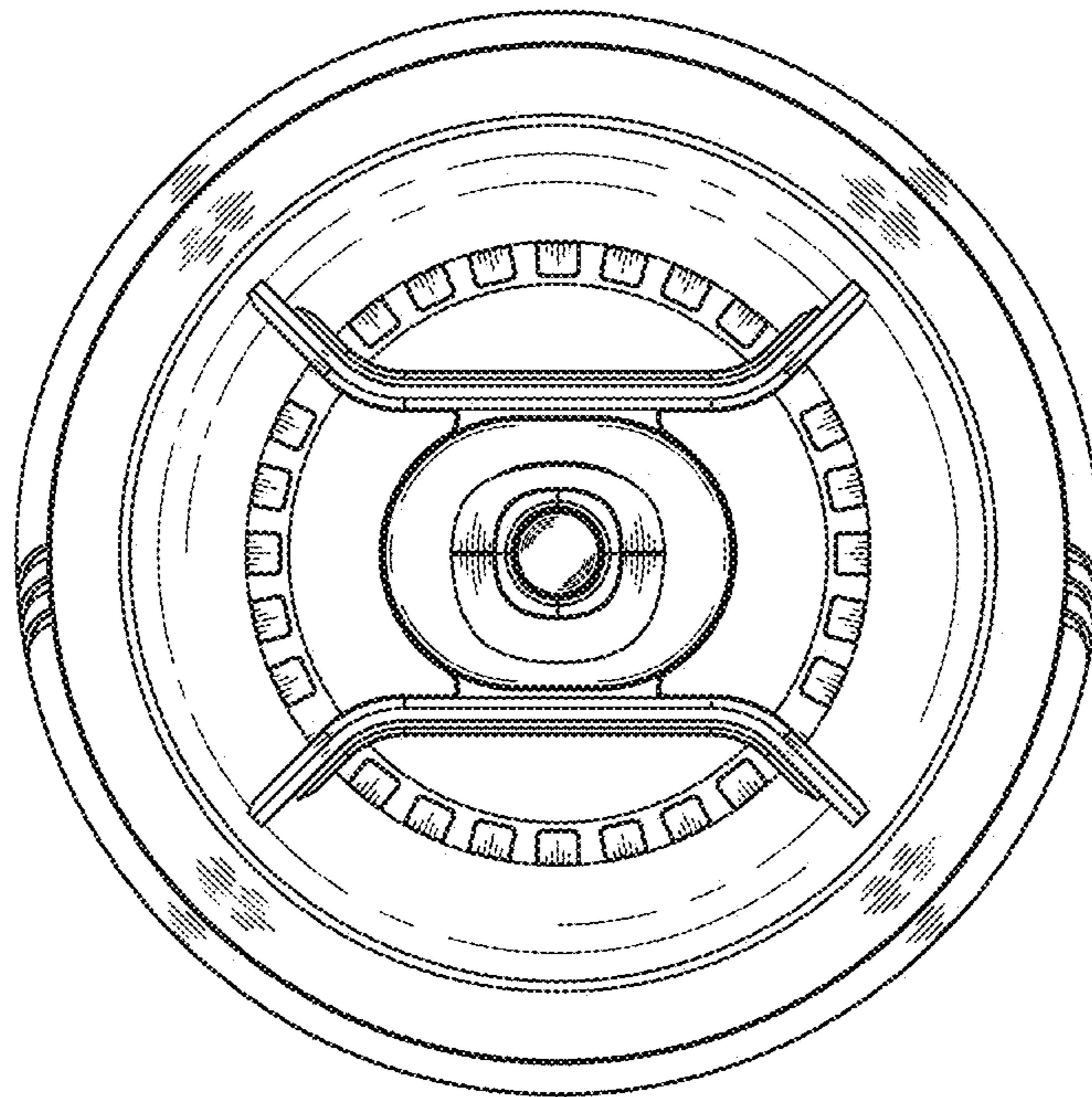


FIG.5

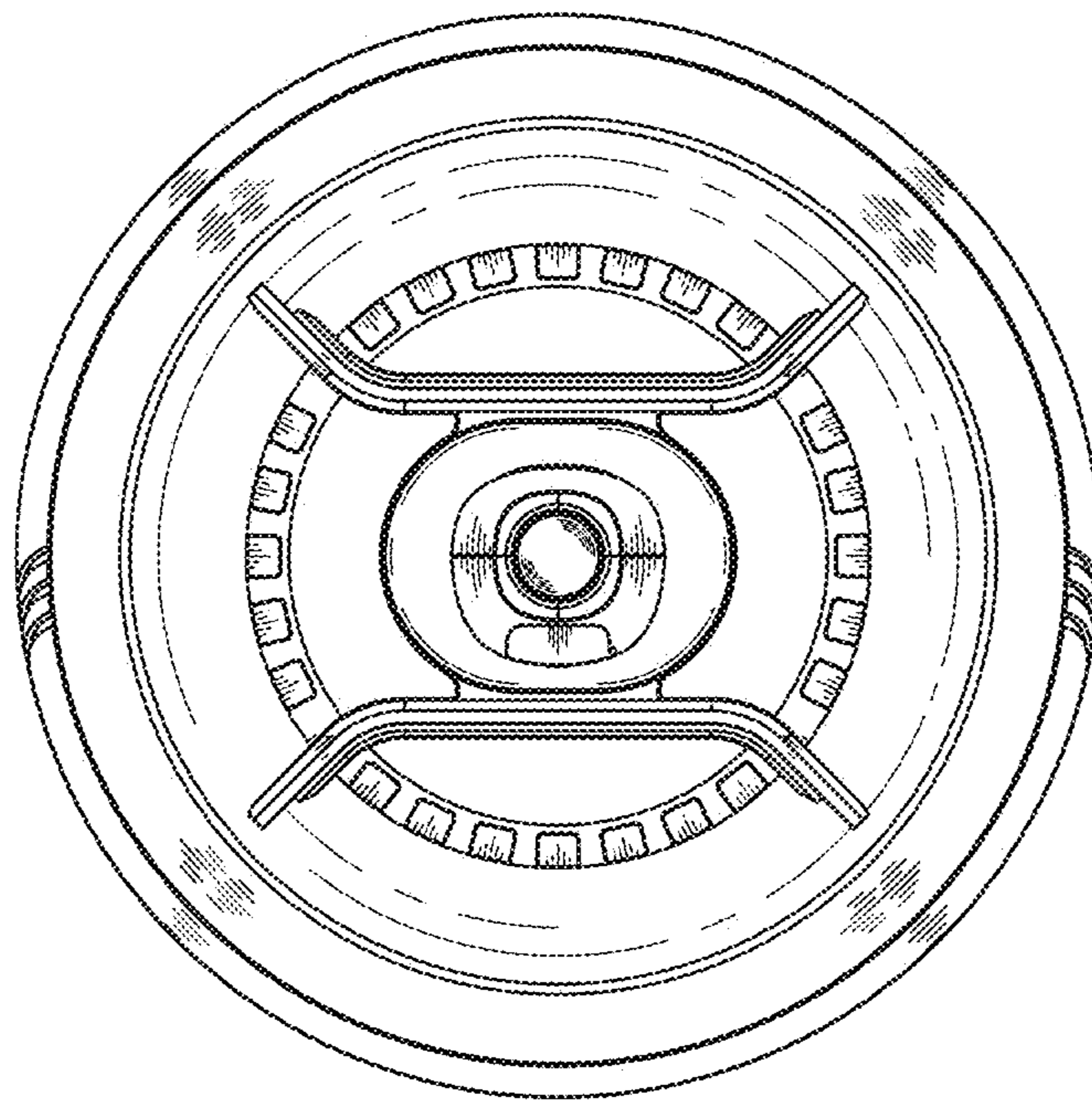


FIG.6

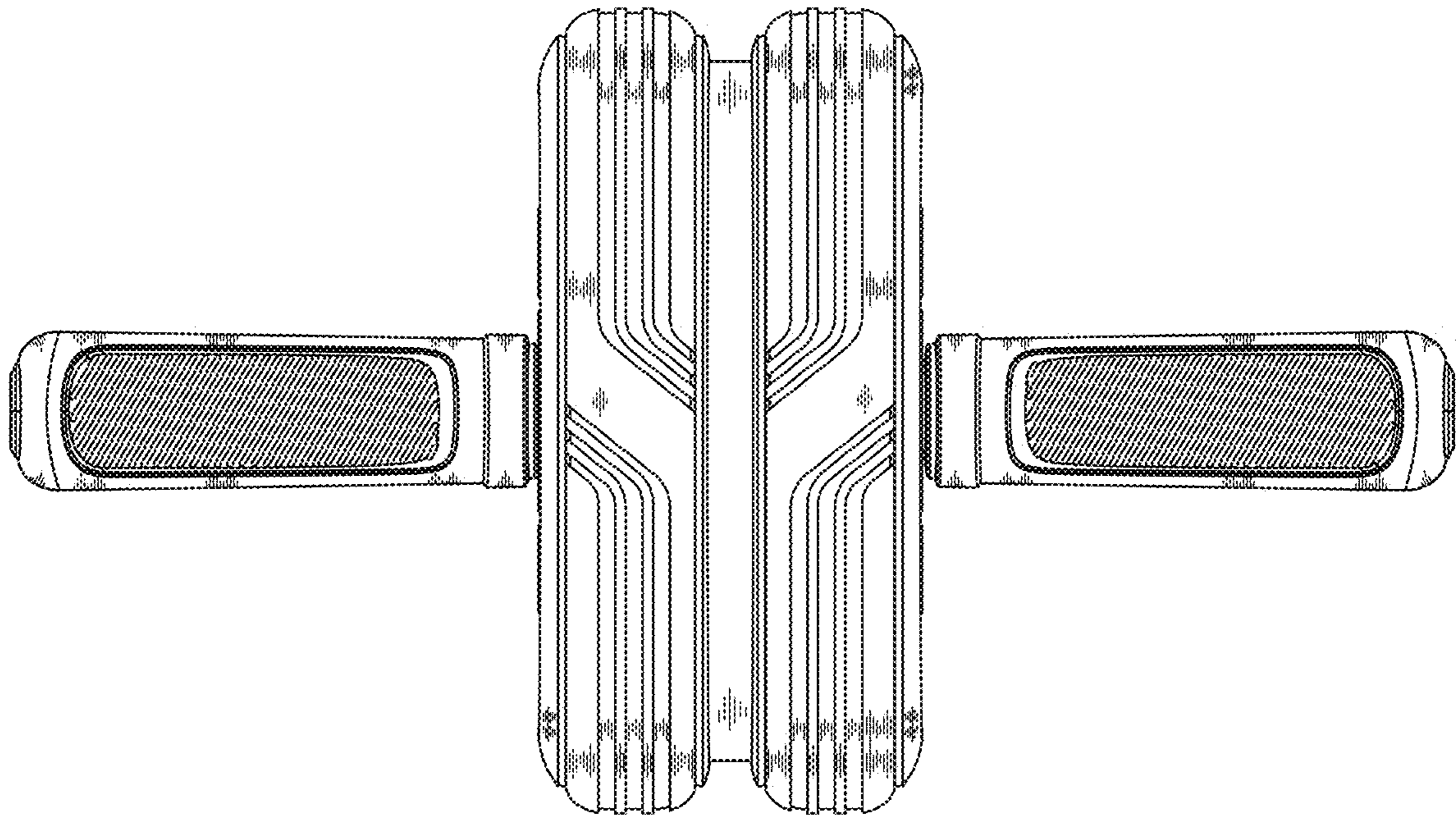


FIG.7

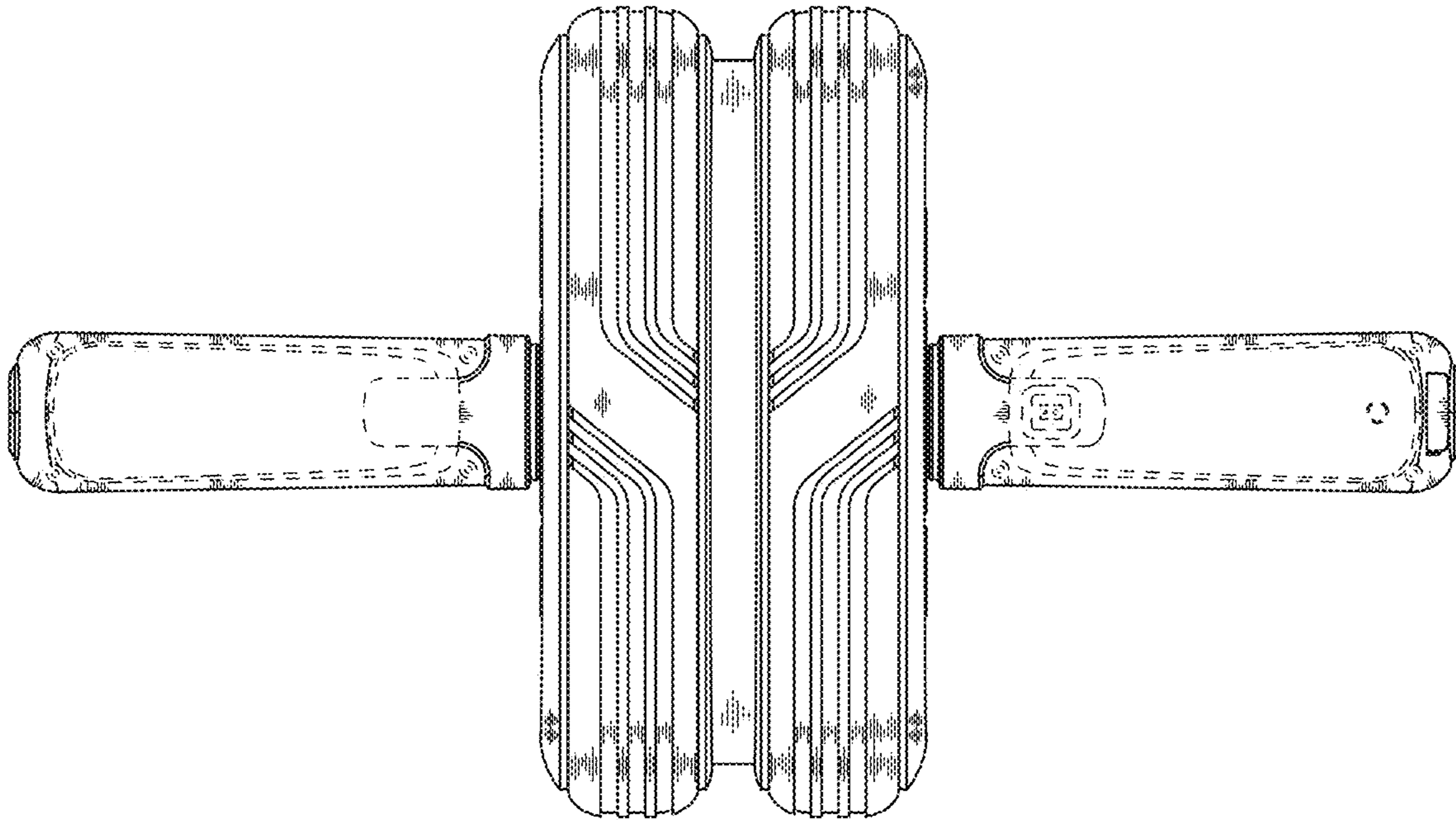


FIG.8

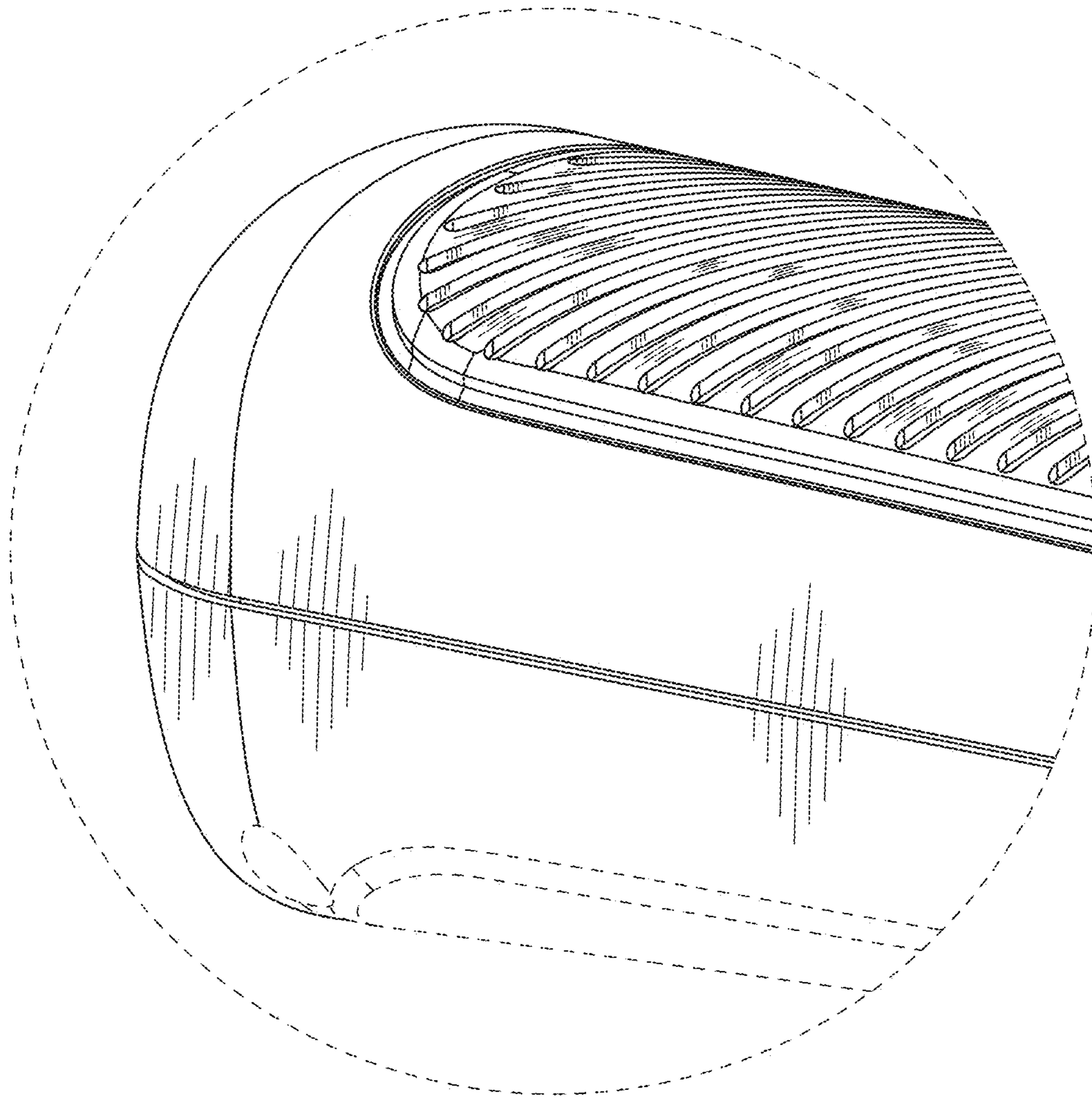


FIG.9

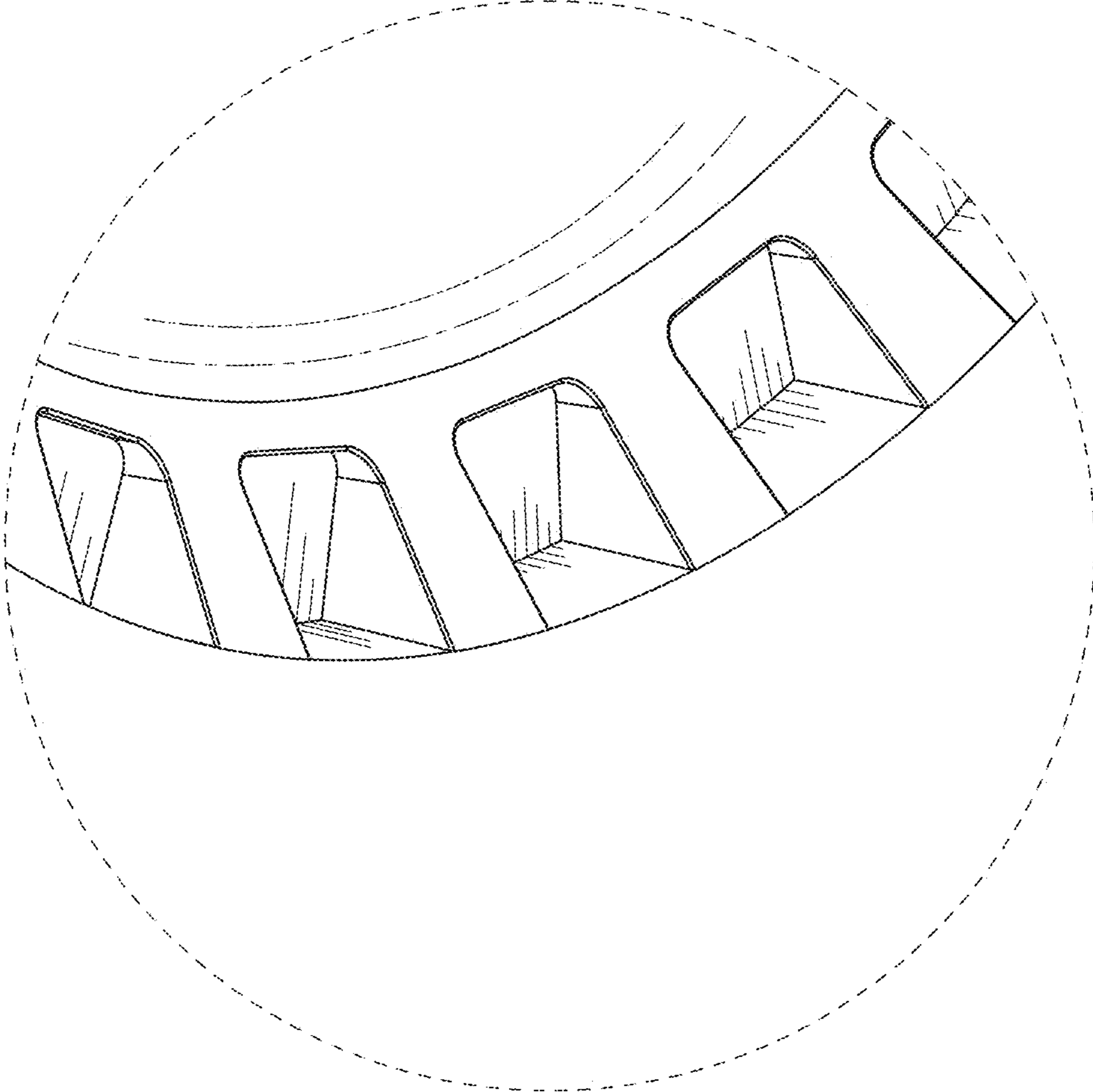


FIG. 10

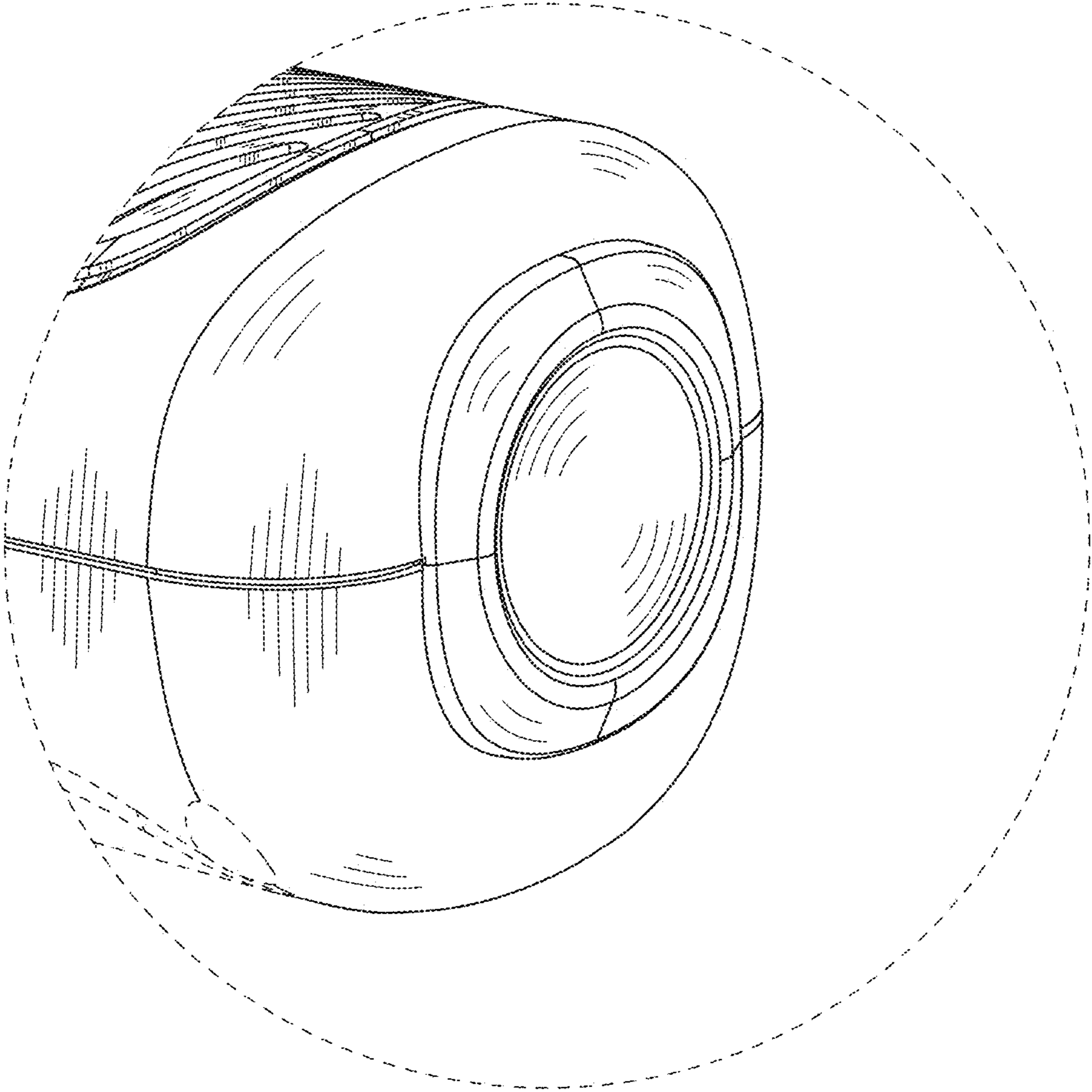


FIG.11