



US00D969923S

(12) **United States Design Patent** (10) **Patent No.:** **US D969,923 S**
Huang (45) **Date of Patent:** **** Nov. 15, 2022**

(54) **GAME CONTROLLER**

(71) Applicant: **PEGATRON CORPORATION**, Taipei (TW)
(72) Inventor: **Chao-Kai Huang**, Taipei (TW)
(73) Assignee: **PEGATRON CORPORATION**, Taipei (TW)
(**) Term: **15 Years**

(21) Appl. No.: **29/738,352**

(22) Filed: **Jun. 17, 2020**

(30) **Foreign Application Priority Data**

Dec. 18, 2019 (TW) 108307843

(51) **LOC (13) Cl.** **21-01**

(52) **U.S. Cl.**
USPC **D21/333**

(58) **Field of Classification Search**
USPC D14/203.3, 218, 358, 383, 388, 400-401, D14/417, 426-431, 454; D21/320, D21/324-333

CPC A63F 13/06; A63F 13/08; A63F 13/22; A63F 13/24; A63F 13/40; A63F 13/42; A63F 13/98; A63F 9/24; G06F 3/0338

See application file for complete search history.

(56) **References Cited**

U.S. PATENT DOCUMENTS

D709,499 S * 7/2014 Morris D14/401
D799,599 S * 10/2017 Kujawski D21/333
D799,600 S * 10/2017 Chatterjee D21/333
D819,641 S * 6/2018 Tsuchiya D14/401
D854,619 S * 7/2019 Konishi D21/333
D882,691 S * 4/2020 Tsuchiya D21/333
D903,768 S * 12/2020 Tsuchiya D21/333
D907,119 S * 1/2021 Zhou D21/333

(Continued)

FOREIGN PATENT DOCUMENTS

CN 302641124 S 11/2013
CN 305204162 S 6/2019
EM 008643548-0002 * 8/2021

OTHER PUBLICATIONS

P-4 Controller, first available Nov. 28, 2020, www.amazon.com [online], site visited [Jan. 24, 2022], Available from internet URL: https://amzn.to/3fWtLzk (Year: 2020).*

Primary Examiner — Jack Reickel

Assistant Examiner — Salamah Jordan

(74) *Attorney, Agent, or Firm* — Muncy, Geissler, Olds & Lowe, P.C.

(57) **CLAIM**

The ornamental design for a game controller, as shown and described.

DESCRIPTION

FIG. 1 is a perspective view of a game controller, showing my new design;

FIG. 2 is a front view thereof;

FIG. 3 is a rear view thereof;

FIG. 4 is a left side view thereof;

FIG. 5 is a right side view thereof;

FIG. 6 is a top view thereof; and,

FIG. 7 is a bottom view thereof.

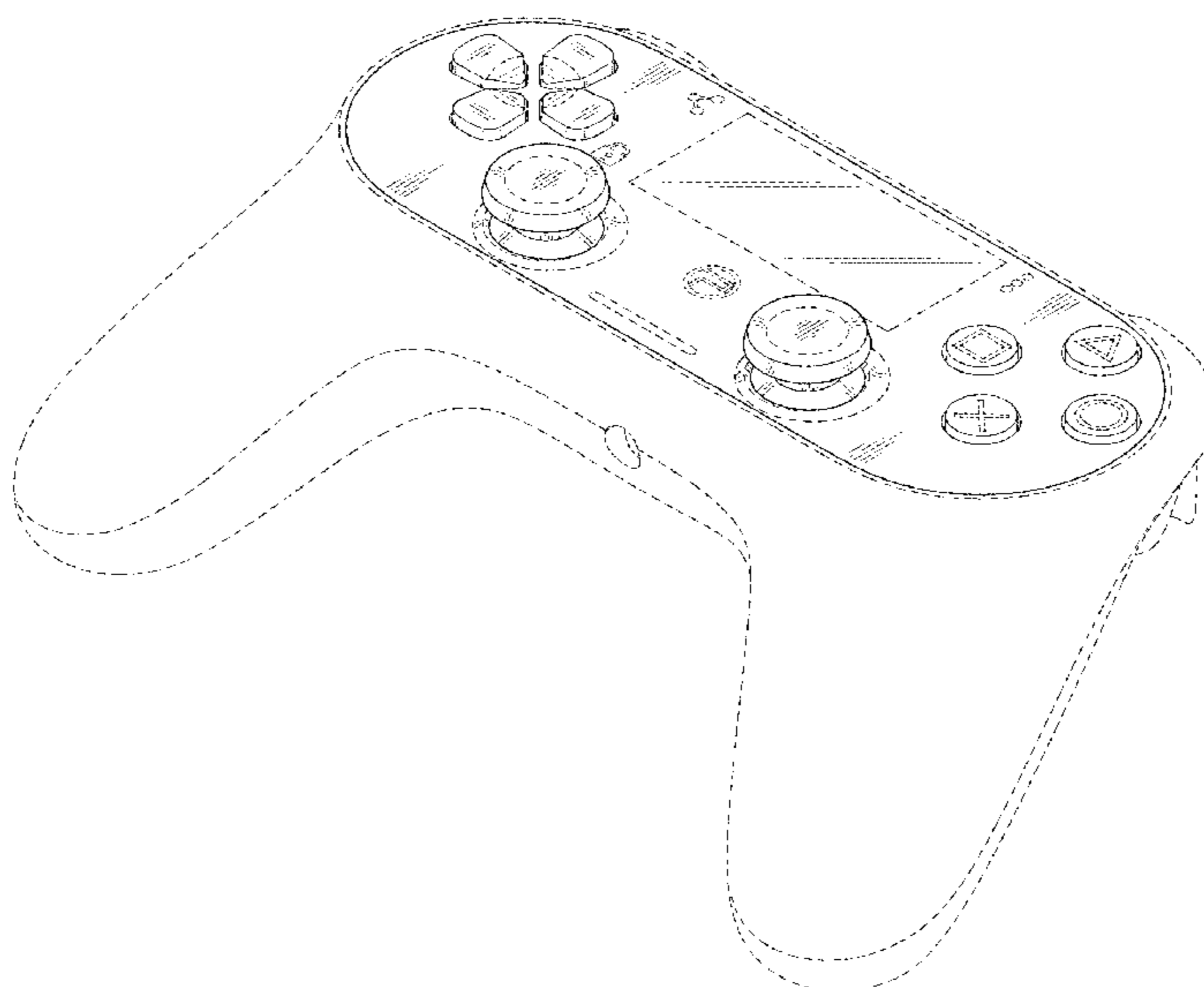
The broken lines in the figures illustrate portions of the game controller that form no part of the claimed design.

The broken lines on the directional buttons of FIGS. 1 and 6 are included to show unclaimed edges on the article.

The broken lines on the top of the joysticks of FIGS. 1 and 6 are included to show unclaimed edges on the articles.

The broken lines around the bases of joysticks of FIGS. 1 to 6 are included to show unclaimed ring protrusions on the articles.

1 Claim, 4 Drawing Sheets



(56)

References Cited

U.S. PATENT DOCUMENTS

D921,116 S * 6/2021 Zhou D21/333
D924,977 S * 7/2021 Saito D21/333

* cited by examiner



FIG.1

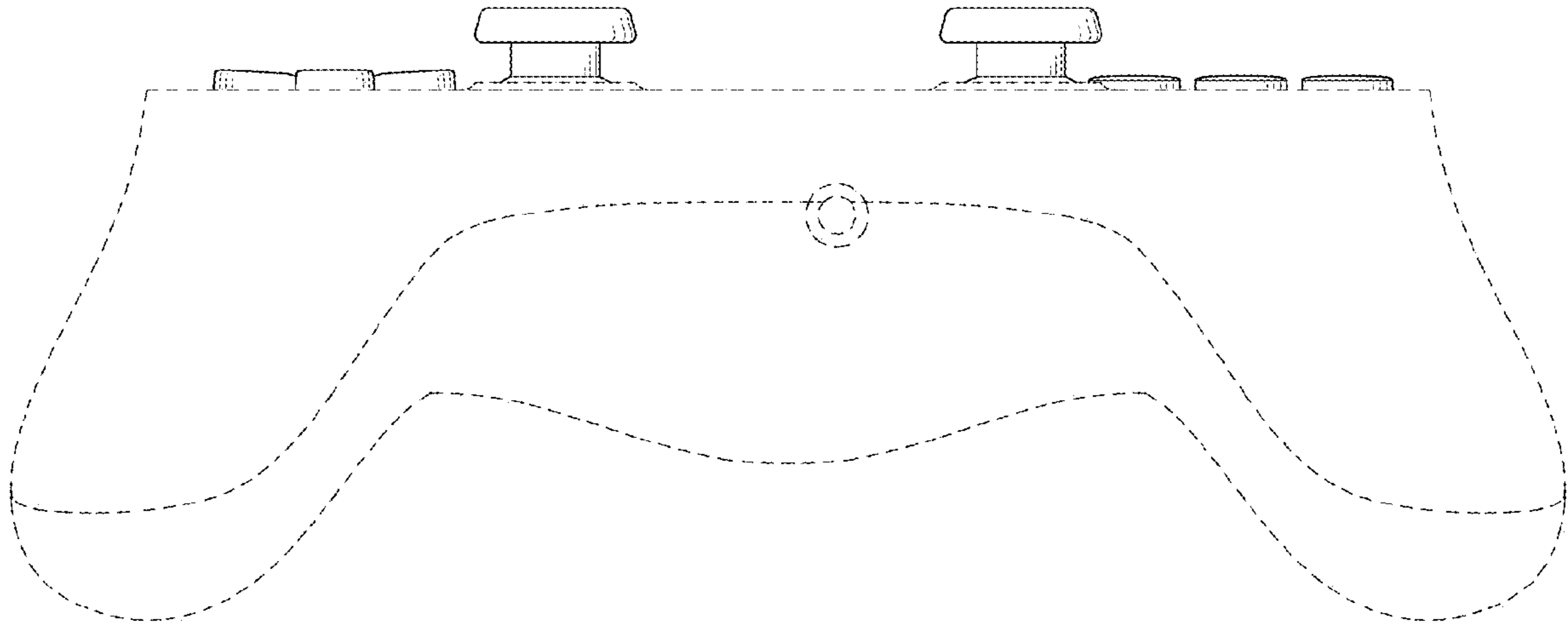


FIG.2

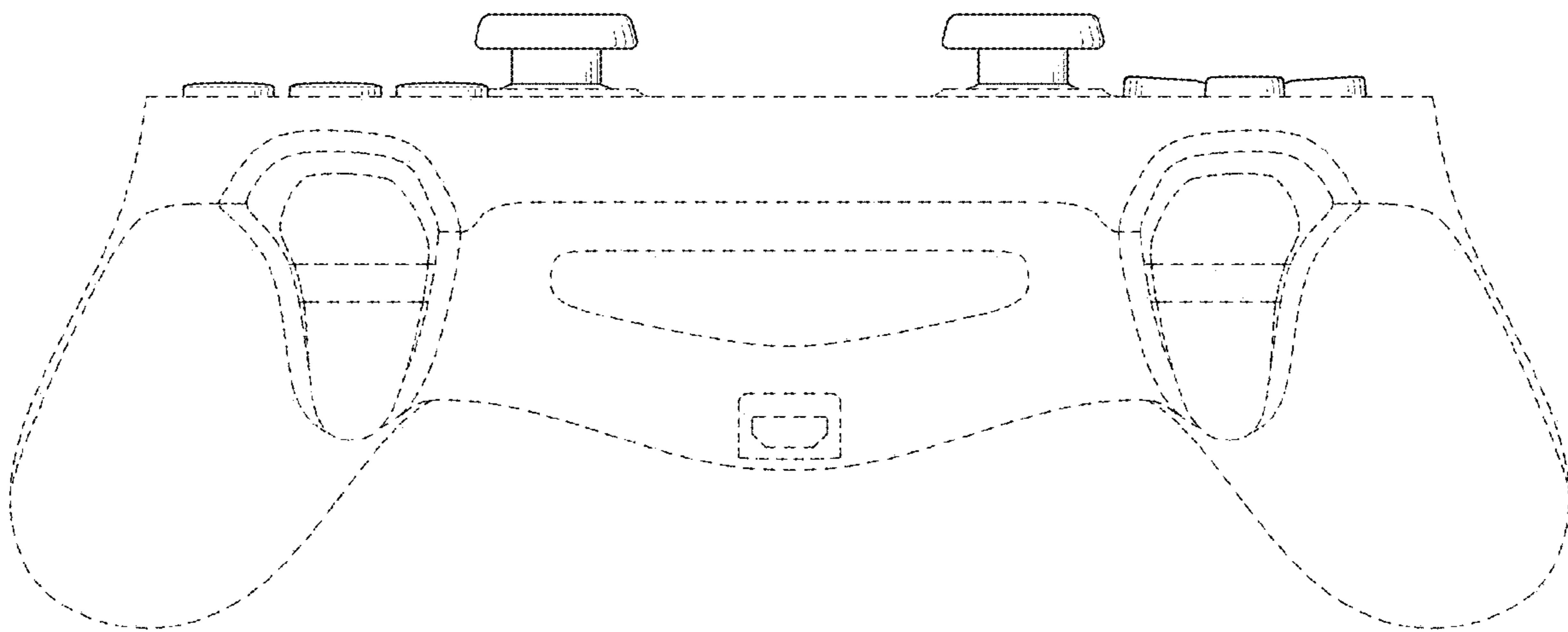


FIG.3

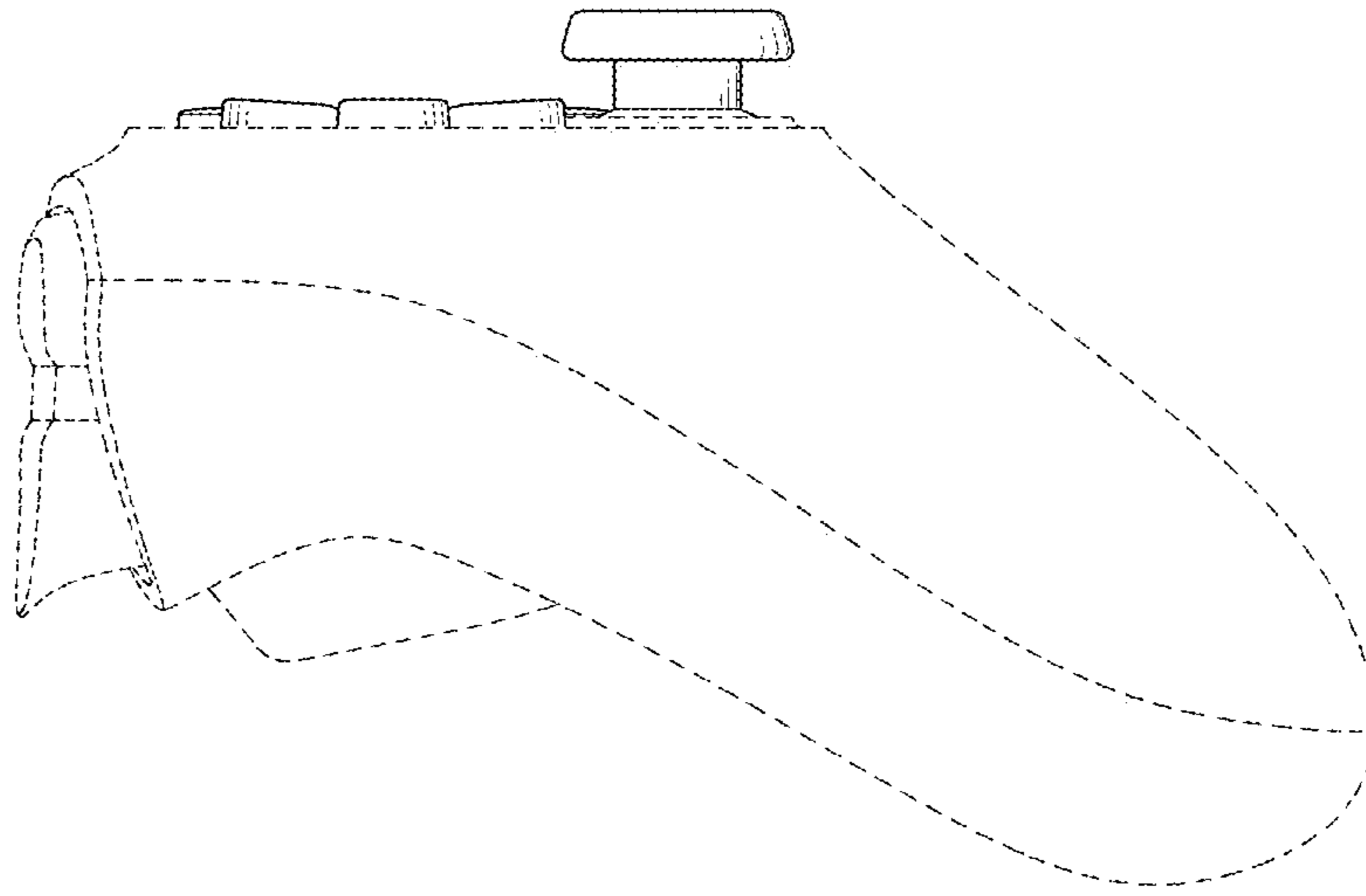


FIG. 4

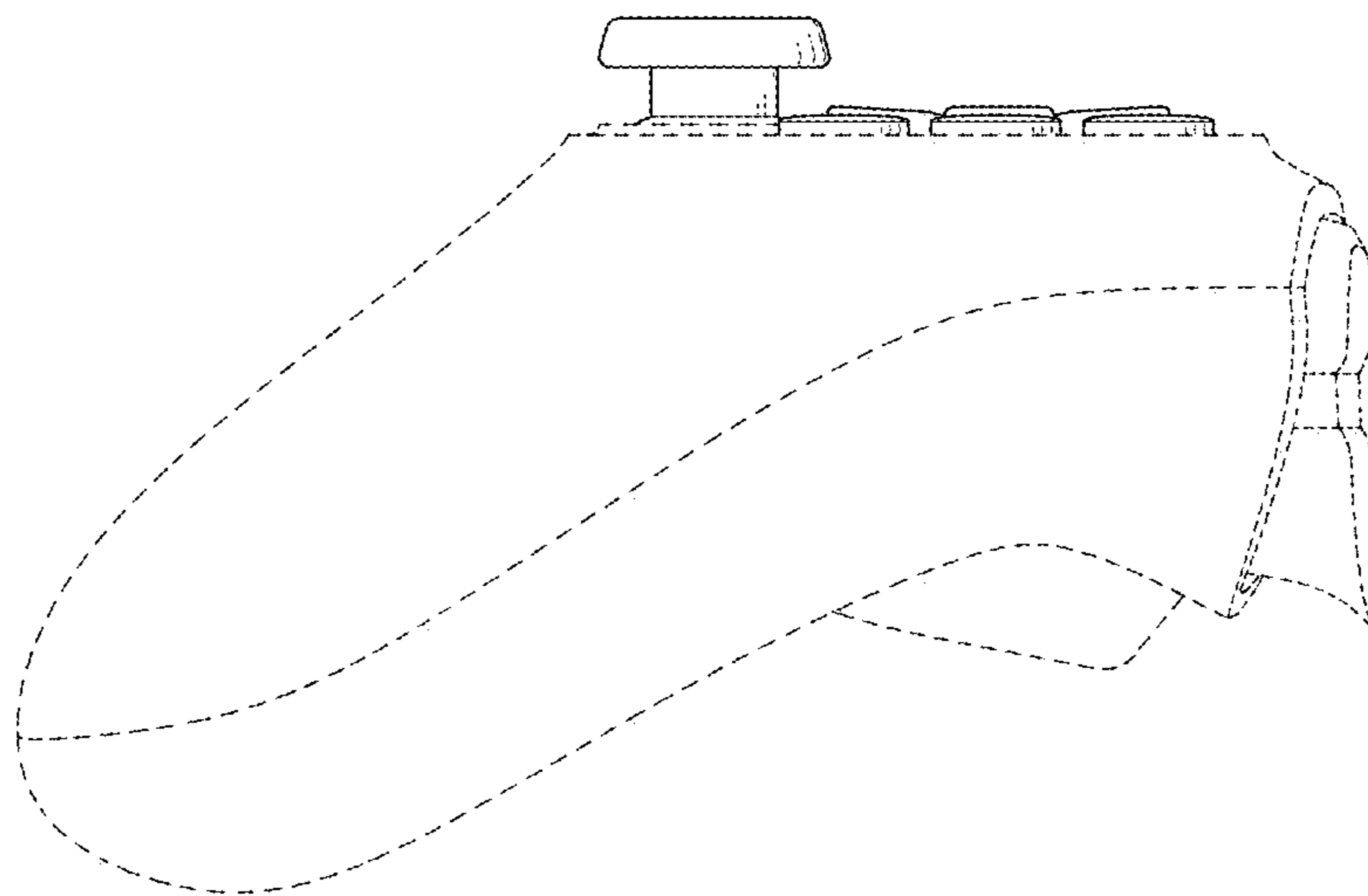


FIG. 5

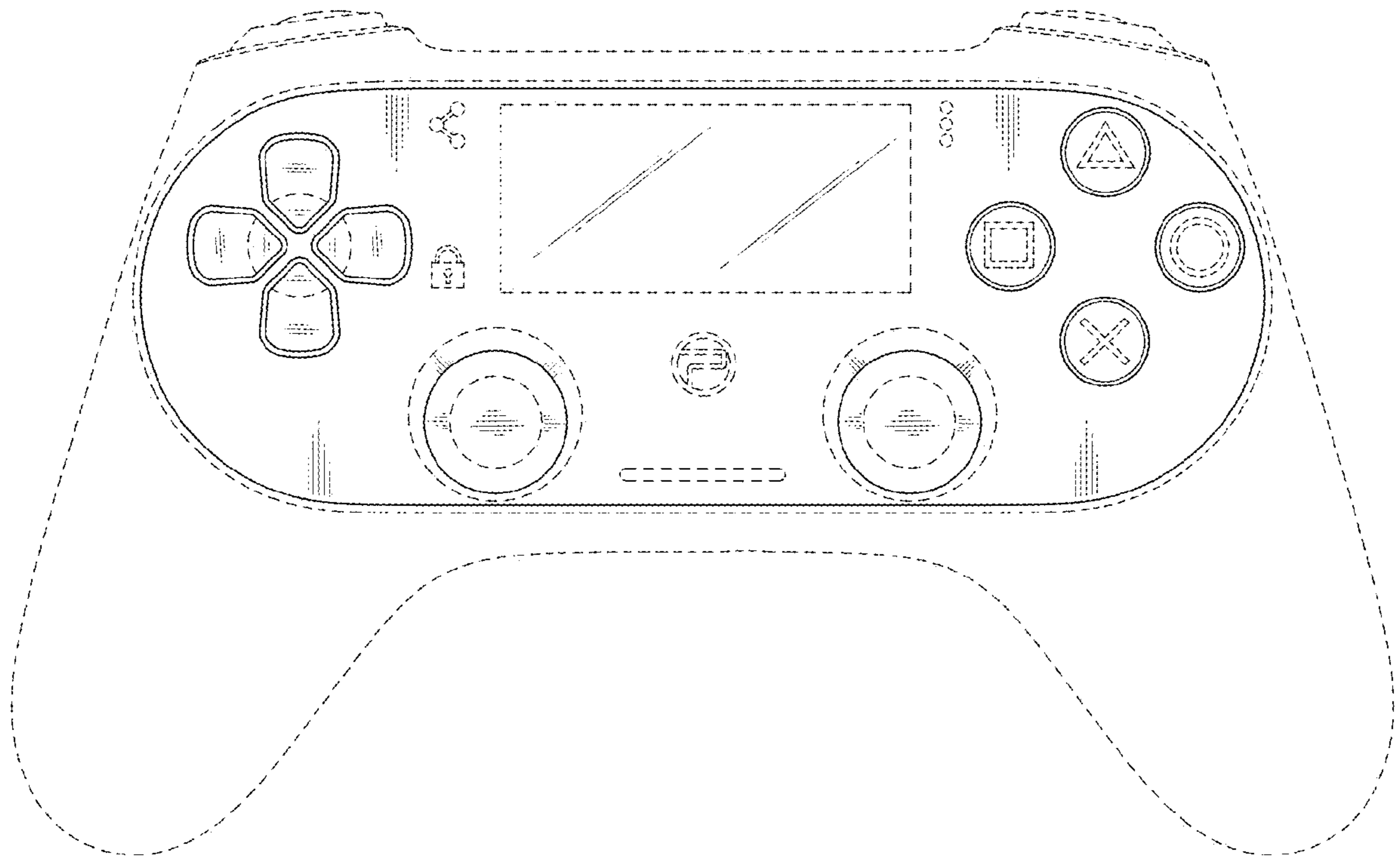


FIG.6

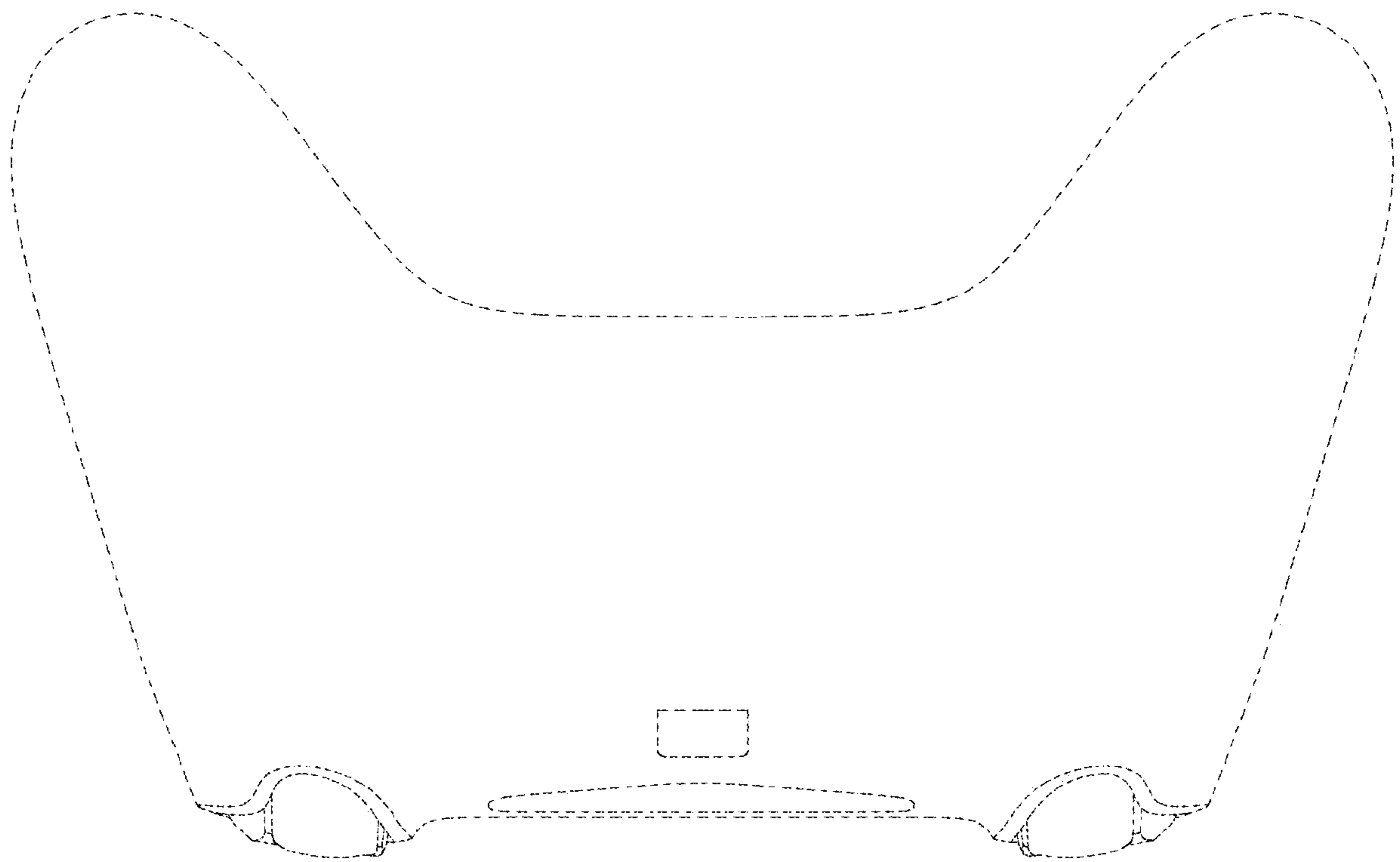


FIG.7