



US00D96921S

(12) **United States Design Patent** (10) **Patent No.:** **US D969,921 S**
Mussey (45) **Date of Patent:** **** Nov. 15, 2022**

(54) **TOSSING GAME**
(71) Applicant: **Robert J. Mussey**, Mesa, AZ (US)
(72) Inventor: **Robert J. Mussey**, Mesa, AZ (US)
(**) Term: **15 Years**
(21) Appl. No.: **29/726,597**
(22) Filed: **Mar. 4, 2020**
(51) **LOC (13) Cl.** **21-01**
(52) **U.S. Cl.**
USPC **D21/303**
(58) **Field of Classification Search**
USPC D21/300–307, 319, 335, 312, 322, 324,
D21/342, 386, 699, 705, 731, 771, 780,
D21/789, 790, 791, 804, 805; 473/164,
473/172, 197, 436
CPC A63B 63/00; A63B 71/022; A63B 65/00;
A63B 1/00; A63B 67/00; A63B 63/04;
A63B 63/045; A63F 1/067; A47B 25/00
See application file for complete search history.

6,244,598 B1 * 6/2001 Conville A63B 67/06
273/402
D462,092 S * 8/2002 Temple D21/303
7,070,184 B2 * 7/2006 Pollu A63B 67/002
273/123 R
D635,197 S * 3/2011 Pryor D21/303
8,162,318 B1 * 4/2012 Peterson A63B 67/06
273/402
D672,824 S * 12/2012 Boi D21/302
D688,749 S * 8/2013 Pavony D21/303
D706,353 S 6/2014 Montenare
D706,354 S 6/2014 Montenare
D706,355 S 6/2014 Montenare
D763,358 S * 8/2016 Quick D21/303
(Continued)

(56) **References Cited**
U.S. PATENT DOCUMENTS
207,835 A * 9/1878 Witsil A63F 7/0005
273/123 R
1,989,484 A * 1/1935 Maryfield A63F 9/02
473/576
4,120,499 A * 10/1978 Stazzone A63B 67/06
273/338
4,203,604 A * 5/1980 La Grange A63B 69/3661
473/185
5,320,360 A * 6/1994 St. Pierre A63F 9/0204
273/402
D369,188 S * 4/1996 Briggs D21/322
5,536,007 A * 7/1996 Snyder A63F 7/04
119/702
D382,601 S * 8/1997 Antill D21/303
D408,462 S * 4/1999 Frycz D21/303

OTHER PUBLICATIONS

“Triumph Cornhole Set” posted Jun. 1, 2009[Online], [retrieved Oct. 9, 2021], Retried from Internet: <https://tinyurl.com/dphssvbf>.
(Continued)

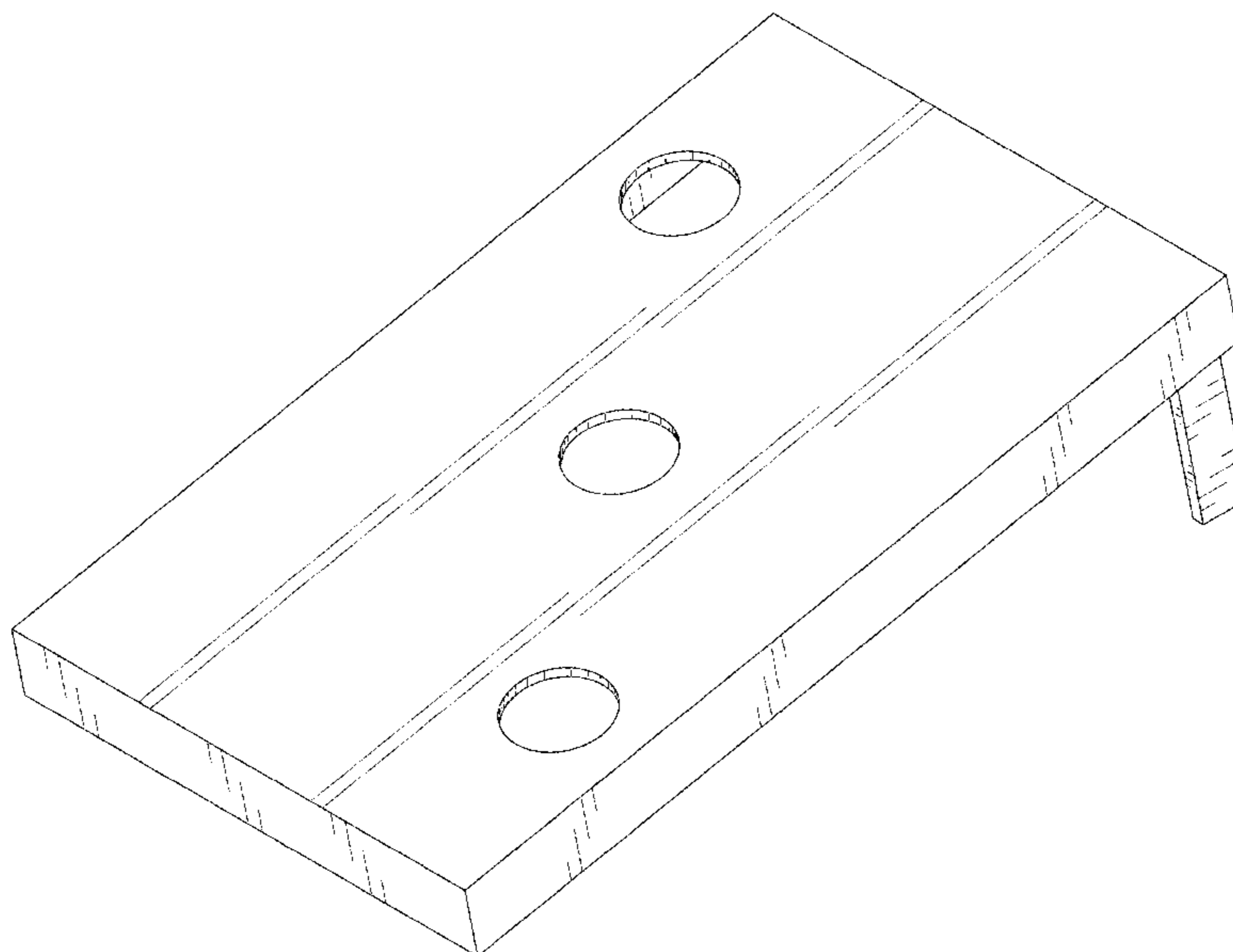
Primary Examiner — Mehri F Bajoul
(74) *Attorney, Agent, or Firm* — Cramer Patent & Design, PLLC; Aaron R. Cramer

(57) **CLAIM**
The ornamental design for a tossing game, as shown and described.

DESCRIPTION

FIG. 1 is a perspective top front right view of a tossing game, showing my new design;
FIG. 2 is a perspective top rear left view thereof;
FIG. 3 is a front elevation view thereof;
FIG. 4 is a rear elevation view thereof;
FIG. 5 is a left elevation view thereof;
FIG. 6 is a right elevation view thereof;
FIG. 7 is a top plan view thereof, and,
FIG. 8 is a bottom plan view thereof.

1 Claim, 6 Drawing Sheets



(56)

References Cited

U.S. PATENT DOCUMENTS

D781,960 S * 3/2017 Czwalga D21/303
 D807,963 S * 1/2018 Zandonella D21/303
 D815,693 S * 4/2018 Sindaco D21/303
 D827,031 S * 8/2018 Valladares D21/303
 D827,078 S * 8/2018 McAuley D21/790
 10,226,675 B2 * 3/2019 Wilder H04R 7/045
 D860,325 S * 9/2019 Ding D21/303
 D868,917 S * 12/2019 Engler D21/303
 D873,919 S * 1/2020 Emmerson D21/303
 10,543,412 B2 * 1/2020 McAuley A63B 63/08
 D877,256 S * 3/2020 Engler D21/303
 D890,260 S * 7/2020 Restivo, III D21/303
 D898,122 S * 10/2020 Rivard D21/364
 D910,757 S * 2/2021 Green D21/303
 D933,132 S * 10/2021 Engler D21/305
 11,173,363 B1 * 11/2021 Pontrelli A63B 71/023
 2004/0227284 A1 * 11/2004 Christianson A63B 67/06
 273/126 R
 2005/0104284 A1 * 5/2005 Pollu A63B 63/08
 273/123 R
 2007/0063447 A1 * 3/2007 Gholson A63B 67/06
 273/400
 2008/0116644 A1 * 5/2008 Knoernschild A63B 67/06
 273/343
 2010/0164175 A1 7/2010 Buchanan
 2011/0256945 A1 * 10/2011 Hsiang A63B 71/0669
 473/197
 2011/0291357 A1 * 12/2011 Boyle A63B 67/06
 273/242
 2012/0038109 A1 * 2/2012 Battista A63F 9/0204
 273/402
 2012/0235356 A1 * 9/2012 Weiss A63F 1/04
 273/398
 2013/0082442 A1 * 4/2013 Hanel A63B 67/06
 273/398
 2014/0151963 A1 * 6/2014 Bennett A63B 71/0036
 29/890.035
 2014/0239594 A1 * 8/2014 Deloatch A63F 7/0005
 273/398

2015/0108719 A1 * 4/2015 Devine A63B 67/06
 273/402
 2015/0265894 A1 * 9/2015 Weber A63B 67/06
 273/400
 2017/0138586 A1 * 5/2017 Finch A63B 67/06
 2018/0036630 A1 * 2/2018 Wilder H04R 7/045
 2018/0085649 A1 * 3/2018 O'Neill F21V 23/02

OTHER PUBLICATIONS

“Triple Threat Cornhole”, posted Dec. 12, 2020 [Online], [retrieved Apr. 4, 2022]. Retrieved from Internet: https://www.youtube.com/watch?v=5HiA_4ckTAo.*

“How to make washer boards”, posted Oct. 10, 2016 [Online], [retrieved Apr. 4, 2022]. Retrieved from Internet: https://www.youtube.com/watch?v=mr_0P6Q0Xw.*

“GoSports Wooden Cornhole”, posted Jun. 18, 2019 [Online], [retrieved Apr. 4, 2022]. Retrieved from Internet: <https://amzn.to/3NGnCXs>.*

3 Hole Bean Bag Washer Toss Cornhole Game. Set Sports Backyard Tailgate Yard Kit. Product Listing [online]. Copyright © 1995-2020 eBay Inc. [retrieved on Dec. 3, 2019]. Retrieved from the Internet: <URL: <https://www.ebay.com/itm/3-Hole-Bean-Bag-Washer-Toss-Cornhole-Game-Set-Sports-Backyard-Tailgate-Yard-Kit-/283107973841>>.

Custom Orders. Product Listing [online] © 2004-2016. Custom Comtoss [retrieved on Dec. 3, 2019] Retrieved from the Internet: <URL: <https://customcornhole.com/custom-orders>>.

Repurposed Vintage Carnival Gameboard Multiple Hole Cornhole Board. Product Listing [online]. Copyright © 2011, [www.briancarlisle.com]. [published on Aug. 2, 2015; retrieved on Dec. 3, 2019]. Retrieved from the Internet: <URL: <http://www.gadgetsponge.com/posts/2015/8/2/repurposed-vintage-carnival-gameboard-multiple-hole-cornhole.html>>.

Custom Cornhole Boards. Product Listing [online]. © 2004-2016. Custom Comtoss. [retrieved on Dec.3, 2019]. Retrieved from the Internet: <URL: <https://customcornhole.com/cornhole-boards>>.

* cited by examiner

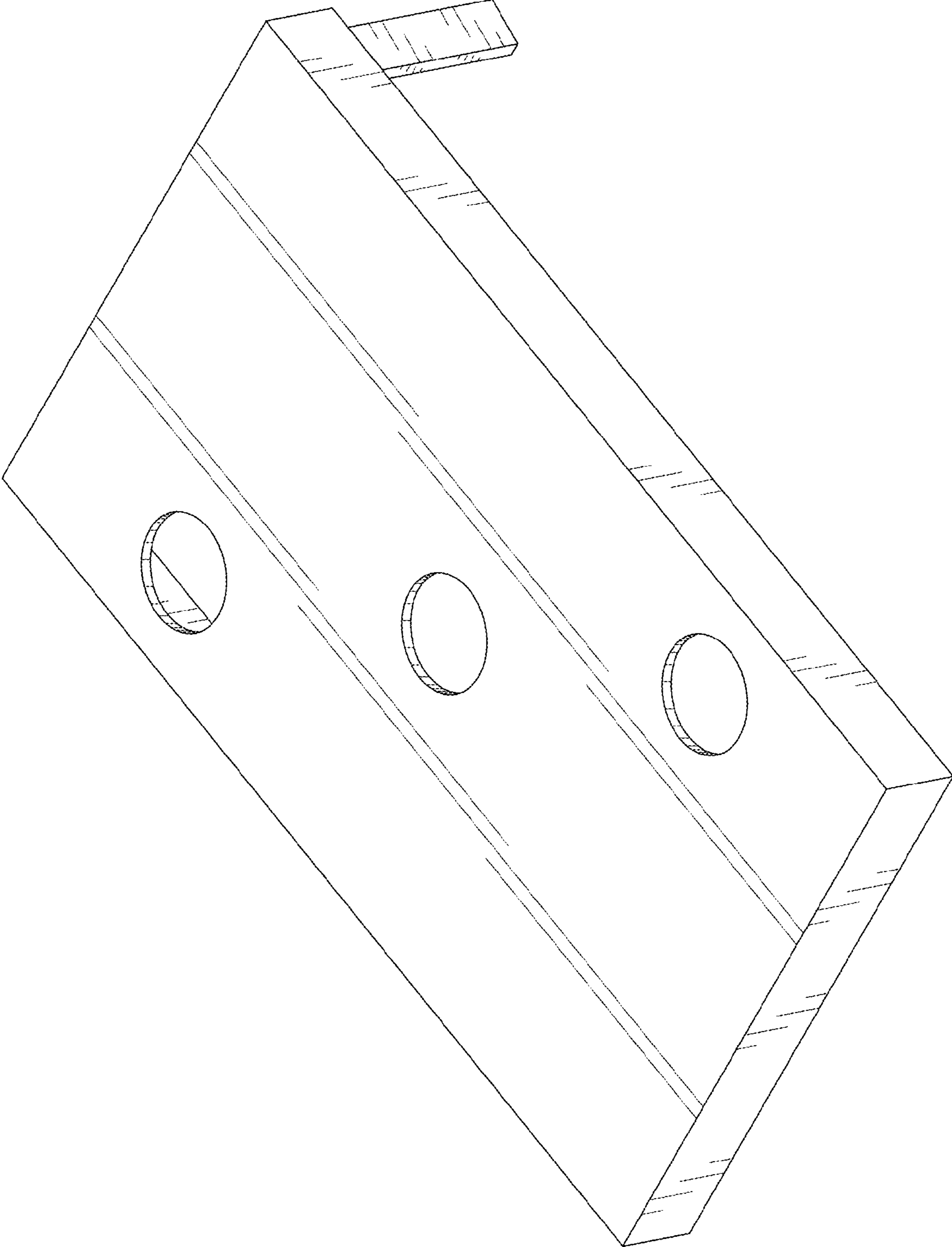


FIG. 1

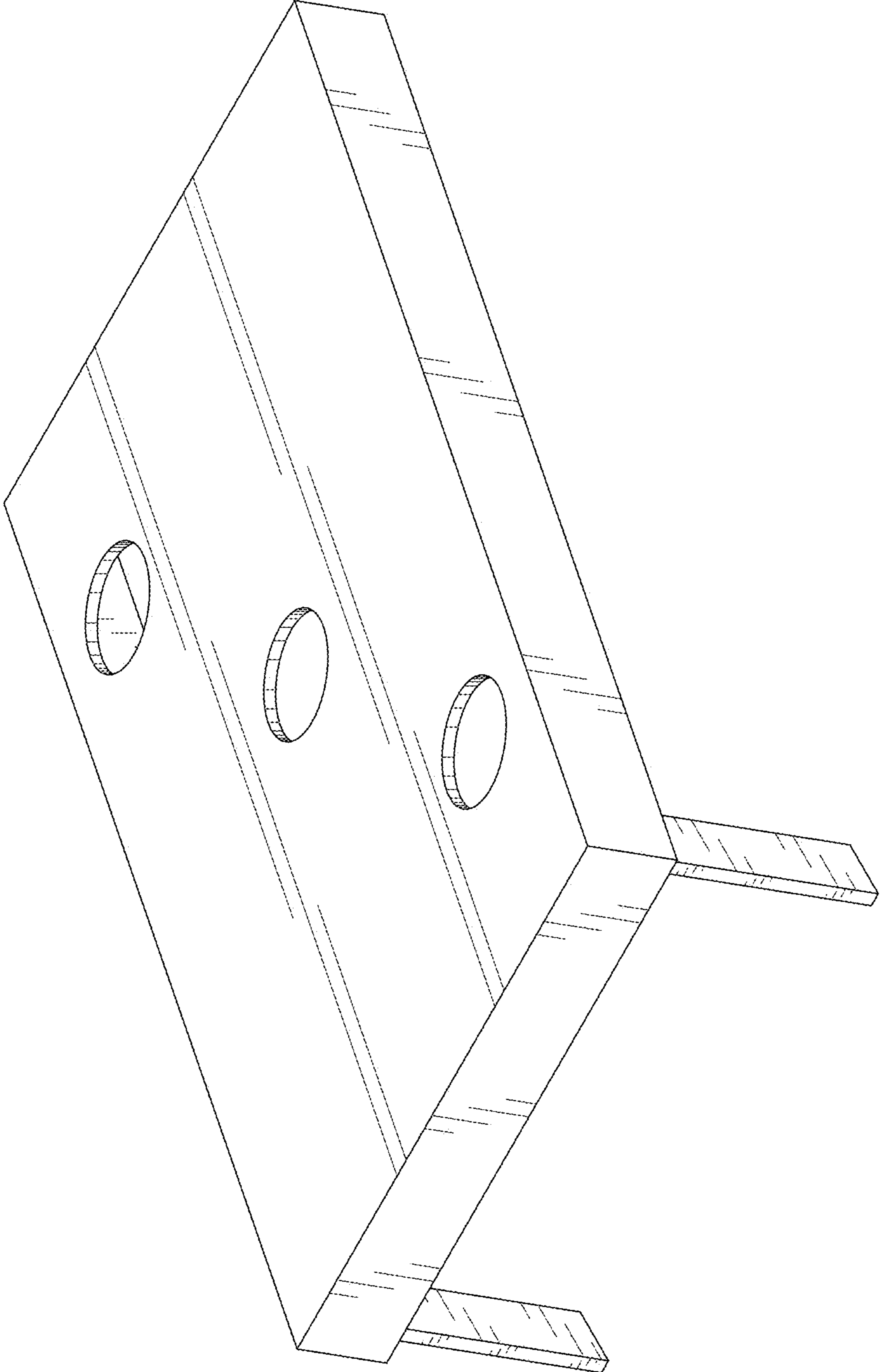


FIG. 2

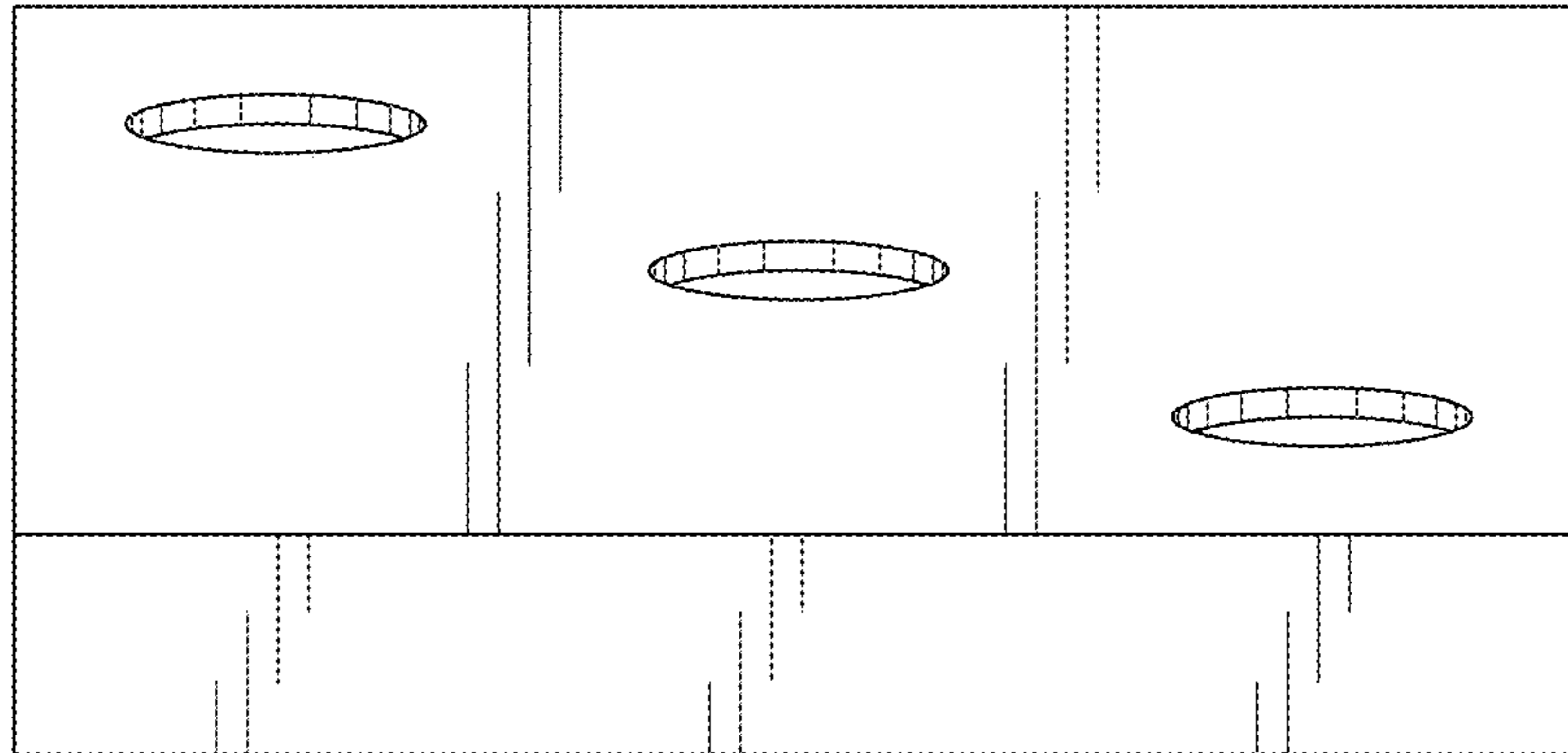


FIG. 3

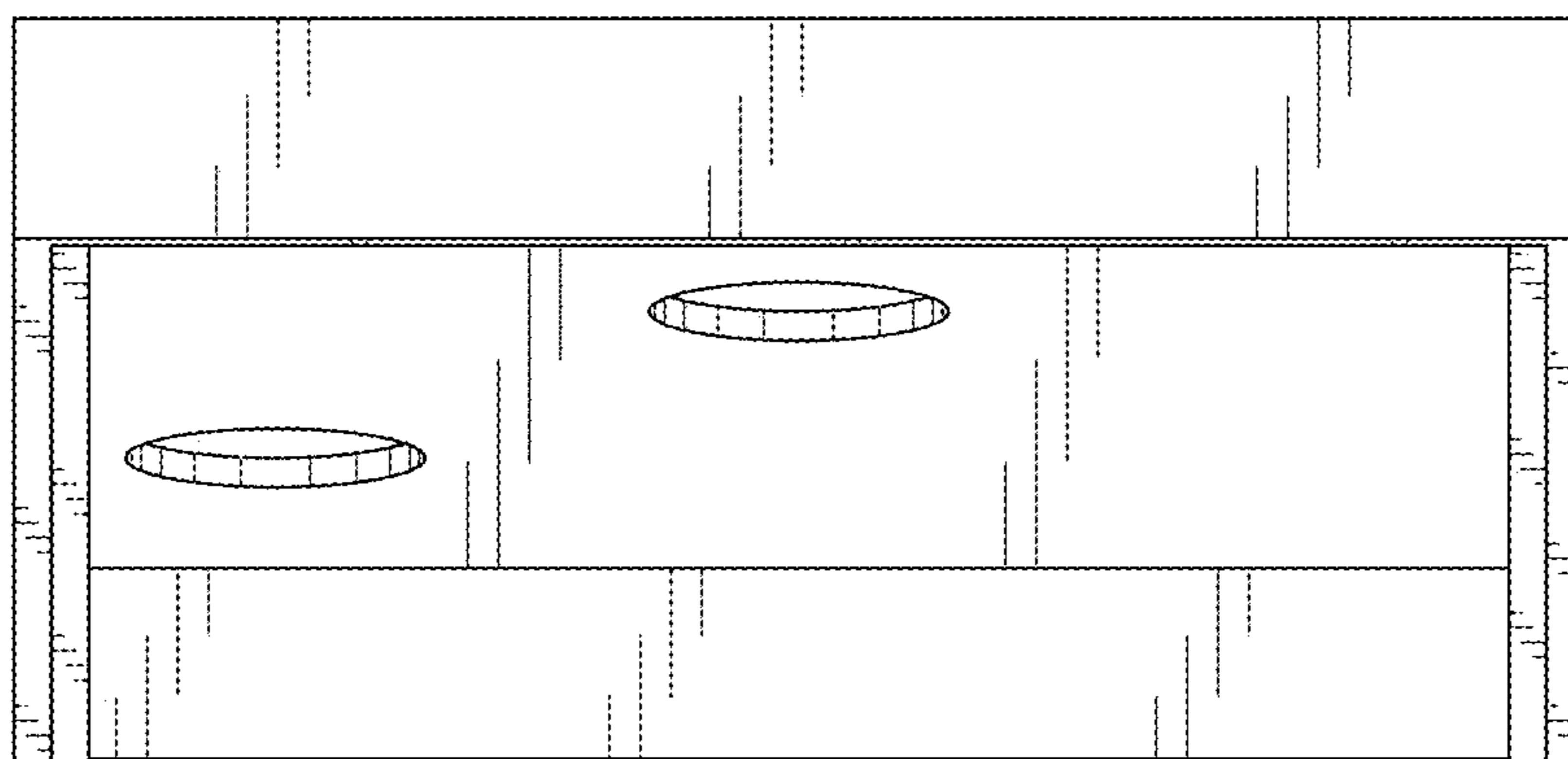


FIG. 4

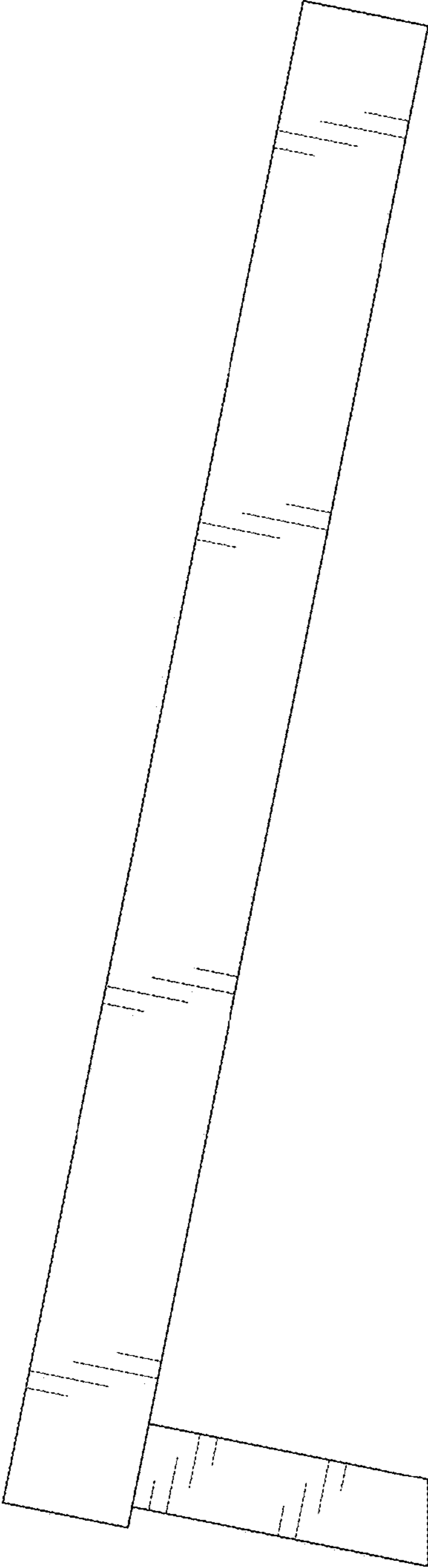


FIG. 5

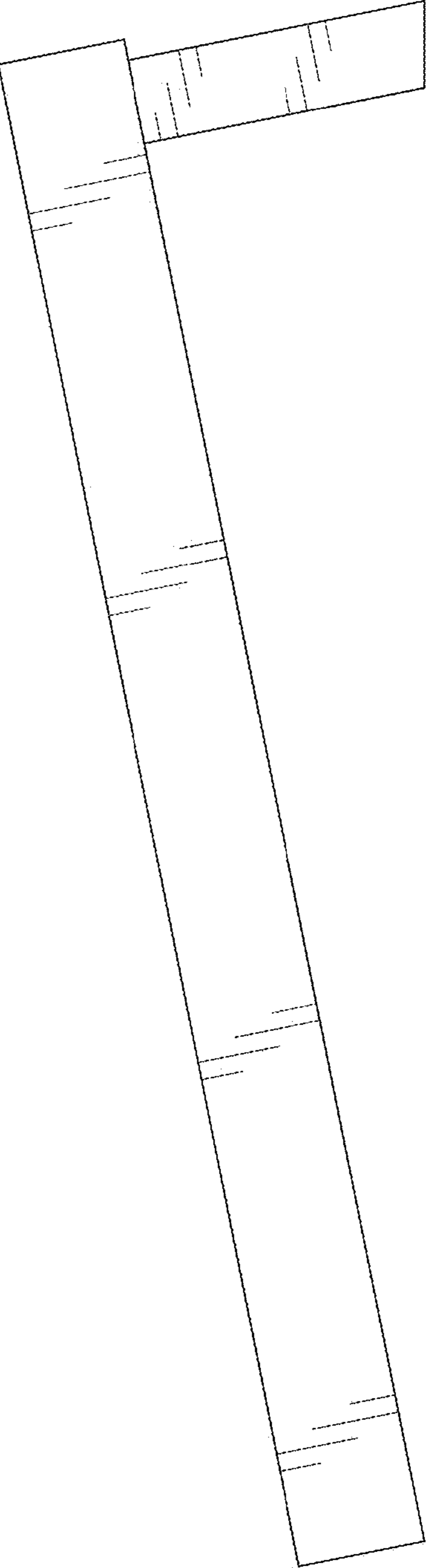


FIG. 6

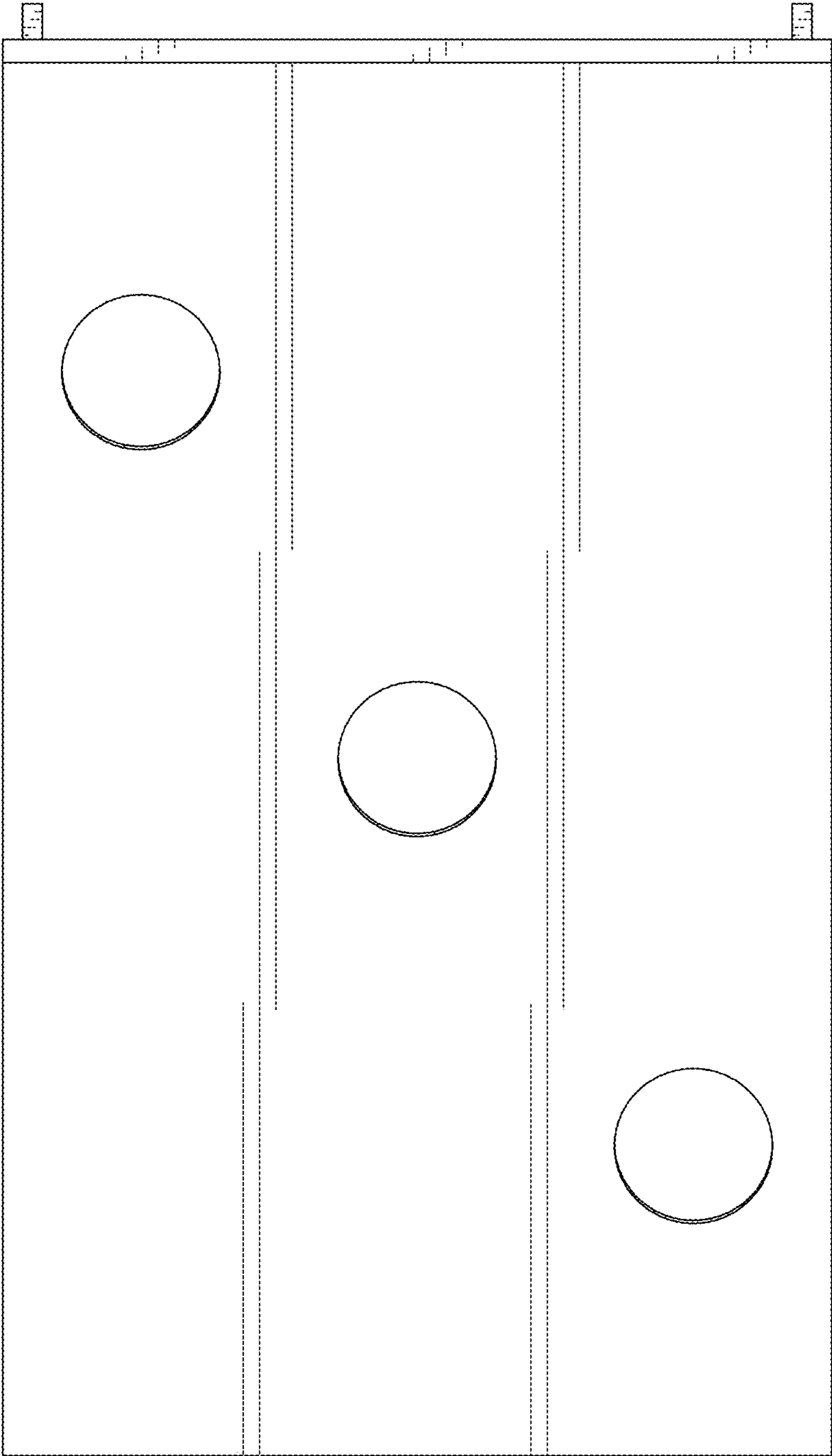


FIG. 7

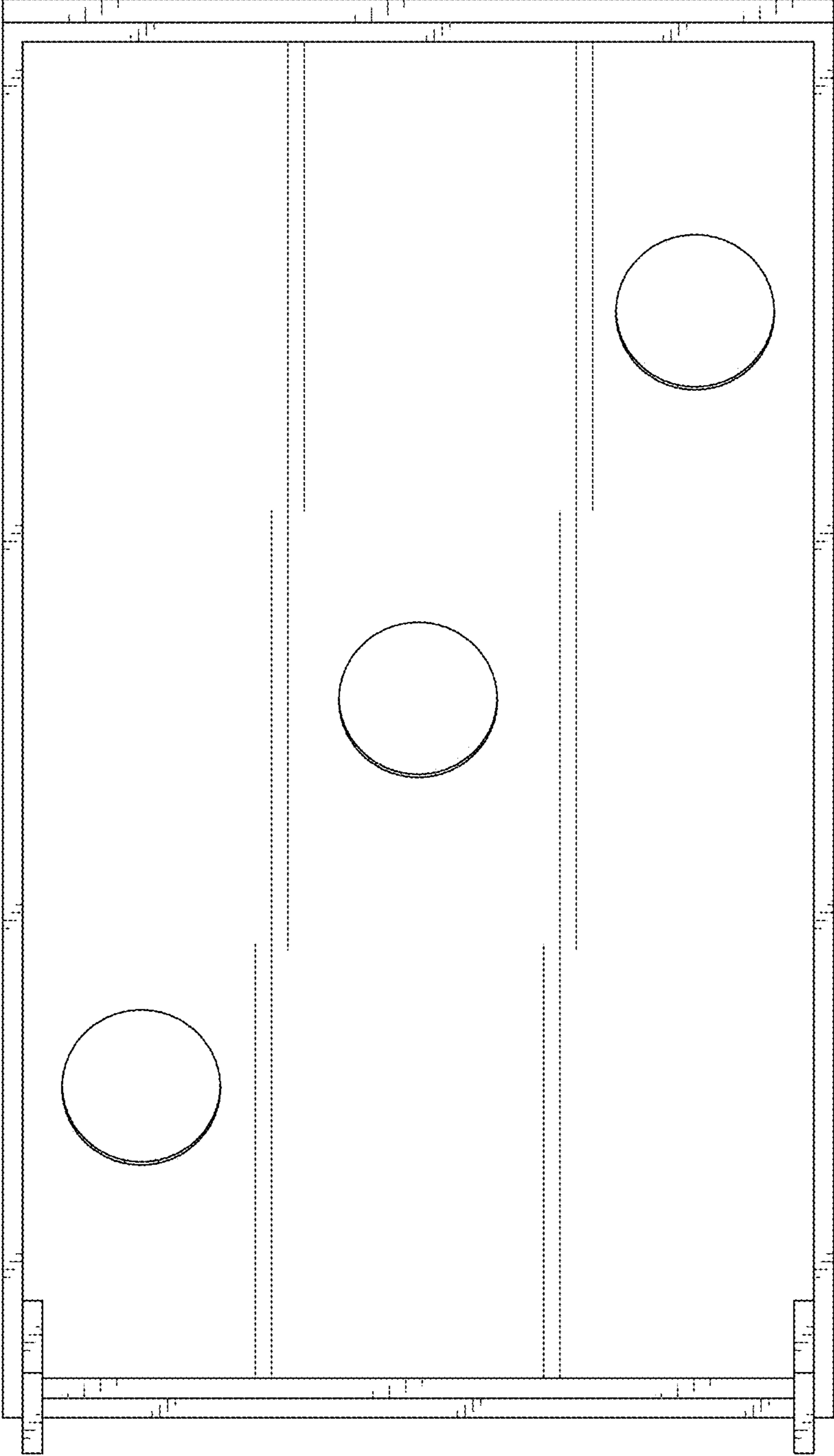


FIG. 8