



US00D969920S

(12) **United States Design Patent**
Engler et al.

(10) **Patent No.:** **US D969,920 S**

(45) **Date of Patent:** **** Nov. 15, 2022**

(54) **TOSS GAME TARGET**
(71) Applicant: **P&P IMPORTS LLC**, Irvine, CA (US)
(72) Inventors: **Peter Engler**, Newport Beach, CA
(US); **Peter Tanoury**, Newport Beach,
CA (US)

8,162,318 B1 * 4/2012 Peterson A63B 67/06
273/402
D738,431 S * 9/2015 Fiske D21/302
D747,774 S * 1/2016 Erickson D21/302
D748,198 S * 1/2016 Nally D21/302
D872,181 S * 1/2020 Engler D21/302
D872,182 S * 1/2020 Engler D21/302
(Continued)

(**) Term: **15 Years**

OTHER PUBLICATIONS

(21) Appl. No.: **29/746,928**

“GoSports Ladder Toss Game” posted Sep. 11, 2019[Online],[Retrieved
Oct. 17, 2021), retrieved from Internet: https://www.playgosports.com/products/gosports-indoor-outdoor-ladder-toss-game-set.*

(22) Filed: **Aug. 18, 2020**

(Continued)

(51) **LOC (13) Cl.** **21-01**

(52) **U.S. Cl.**

USPC **D21/302**

(58) **Field of Classification Search**

USPC D21/300–307, 319, 335, 312, 322, 324,
D21/342, 386, 688, 699, 705, 731, 771,
D21/780, 789, 790, 791, 804, 805;
D6/332; 473/164, 172, 197, 436;
243/400, 411, 396

Primary Examiner — Mehri F Bajoul

(74) *Attorney, Agent, or Firm* — Casey H. Kempner;
Siamak S. Hefazi

CPC A63B 63/00; A63B 71/022; A63B 65/00;
A63B 1/00; A63B 67/00; A63B 63/04;
A63B 63/045; A63B 2243/0025; A63F
1/067; A47B 25/00

(57) **CLAIM**

The ornamental design for a toss game target, as shown and
described.

See application file for complete search history.

DESCRIPTION

(56) **References Cited**

U.S. PATENT DOCUMENTS

D393,380 S * 4/1998 White D21/302
D478,938 S * 8/2003 Vande Hey D21/302
D478,939 S * 8/2003 McReynolds D21/302
7,198,273 B1 * 4/2007 Advocate A63B 43/007
273/343
7,328,902 B1 * 2/2008 White A63B 63/00
273/343
D570,417 S * 6/2008 Poe D21/302
D576,685 S * 9/2008 Queally D21/302
D591,358 S * 4/2009 Moore D21/302
D626,181 S * 10/2010 Lima D21/302
8,128,093 B1 * 3/2012 Gerrish A63B 63/06
273/343

FIG. 1 is a perspective view of a toss game target showing
our new design;

FIG. 2 is a front view of the toss game target shown in FIG.
1;

FIG. 3 is a left-side view of the toss game target shown in
FIG. 1;

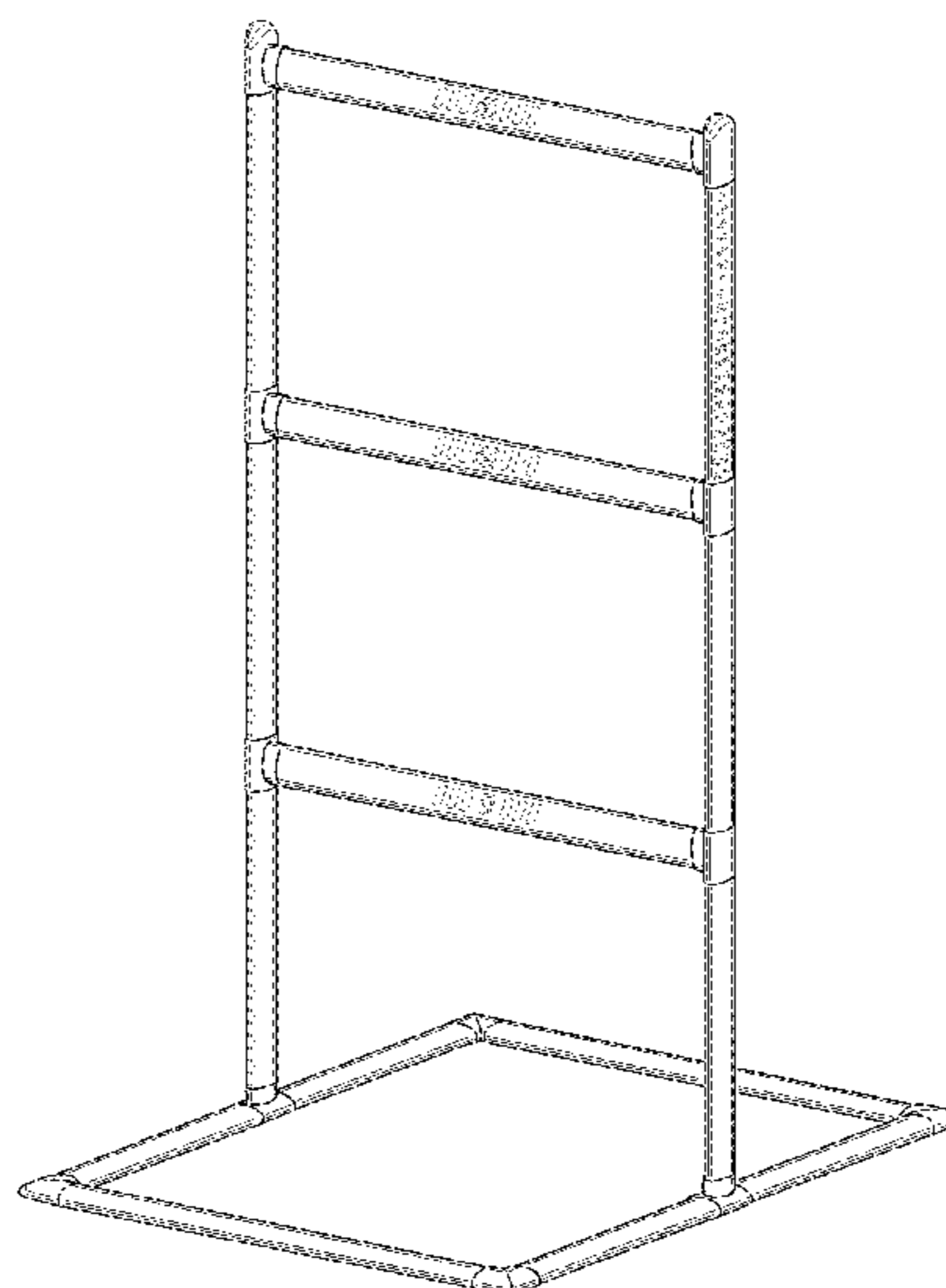
FIG. 4 is a right-side view of the toss game target shown in
FIG. 1;

FIG. 5 is a top view of the toss game target shown in FIG.
1; and,

FIG. 6 is a bottom view of the toss game target shown in
FIG. 1.

The broken lines in the figures show portions of the toss
game target that form no part of the claimed design.

1 Claim, 6 Drawing Sheets



(56)

References Cited

U.S. PATENT DOCUMENTS

10,898,775	B2 *	1/2021	Poetter	A63B 67/06
2002/0084588	A1 *	7/2002	Lynch	A63B 67/10 273/343
2002/0125644	A1 *	9/2002	Knudson	A63B 63/00 273/398
2005/0082761	A1 *	4/2005	Lynch	A63B 63/00 273/343
2007/0035093	A1 *	2/2007	Fuchs	A63B 67/06 273/343
2007/0246886	A1 *	10/2007	Hunt	A63B 67/002 273/343
2007/0257438	A1 *	11/2007	Deal	A63B 67/06 273/343
2009/0115136	A1 *	5/2009	Voden	A63B 67/06 273/336
2009/0278316	A1 *	11/2009	LaMarte	A63B 67/06 273/343
2009/0278317	A1 *	11/2009	Lima	A63B 67/06 273/343
2011/0291361	A1 *	12/2011	Moeller	A63B 67/06 273/406
2016/0023095	A1 *	1/2016	Nally	A63F 7/3055 273/343

OTHER PUBLICATIONS

GoSports Indoor / Outdoor Ladder Toss Game Set with 6 Rubber Bolos, Carrying Case and Score Trackers, Aug. 21, 2020, p. 1, Amazon.com.

GoSports Premium Metal Ladder Toss Game Set, Aug. 21, 2020, p. 1, Amazon.com.

GoSports Premium Ladder Toss Outdoor Game Set with 6 Bolo Balls, Travel Carrying Case and Score Trackers | Choose Between Standard and Giant Size Sets, Aug. 21, 2020, p. 1, Amazon.com.

AmazonBasics Ladder Toss Outdoor Lawn Game Set with Soft Carrying Case—40x24 Inches, Red and Blue, Aug. 21, 2020, p. 1, Amazon.com.

Rally and Roar Ladder Toss—Ladder Ball Toss Game—3 Options to Choose From—Updated Classic, Classic, or Premium—Game Set with 2 Targets, 6 Rubber Bolas, Zippered Carrying Case, Aug. 21, 2020, p. 1, Amazon.com.

* cited by examiner

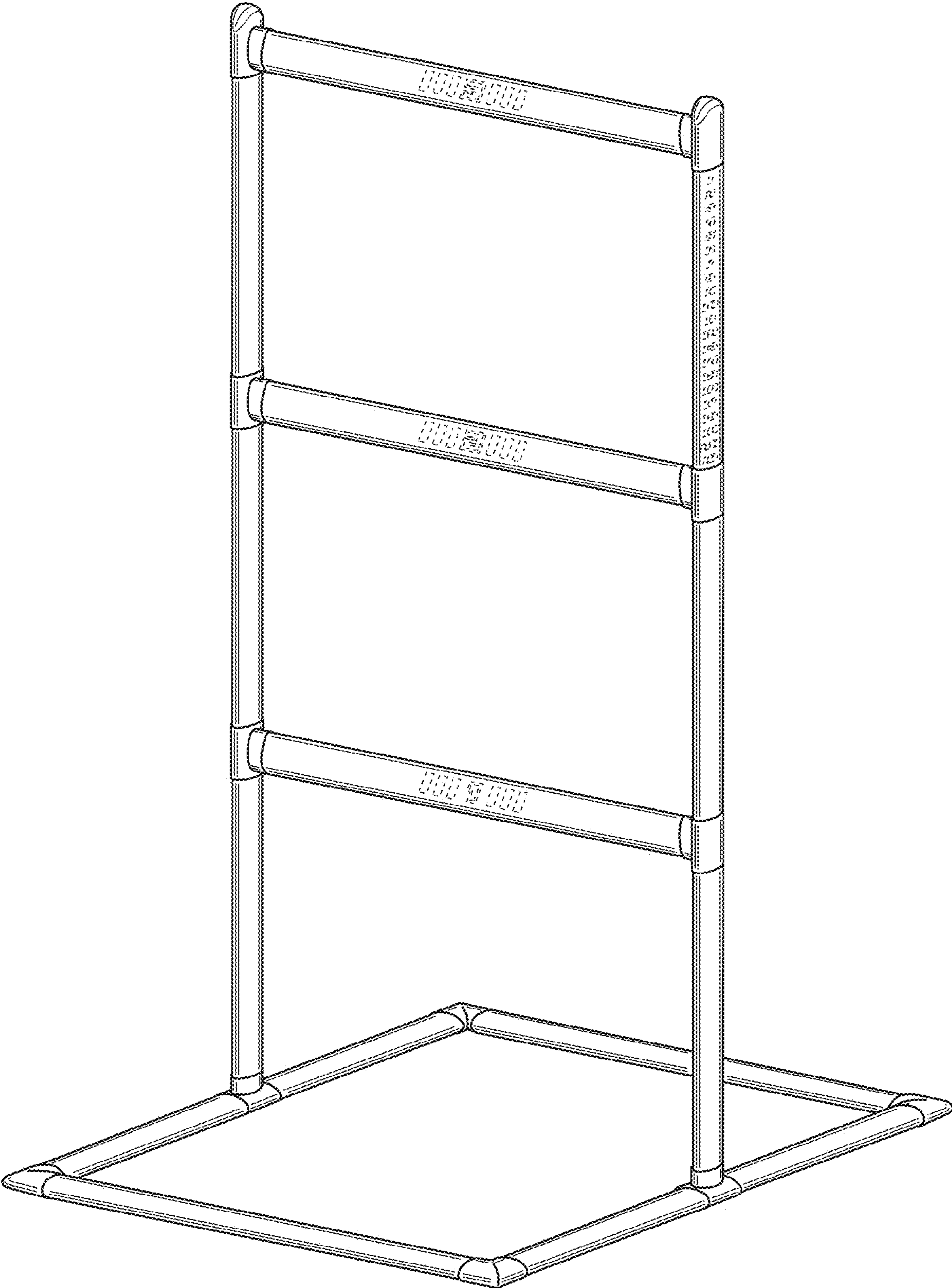


FIG. 1

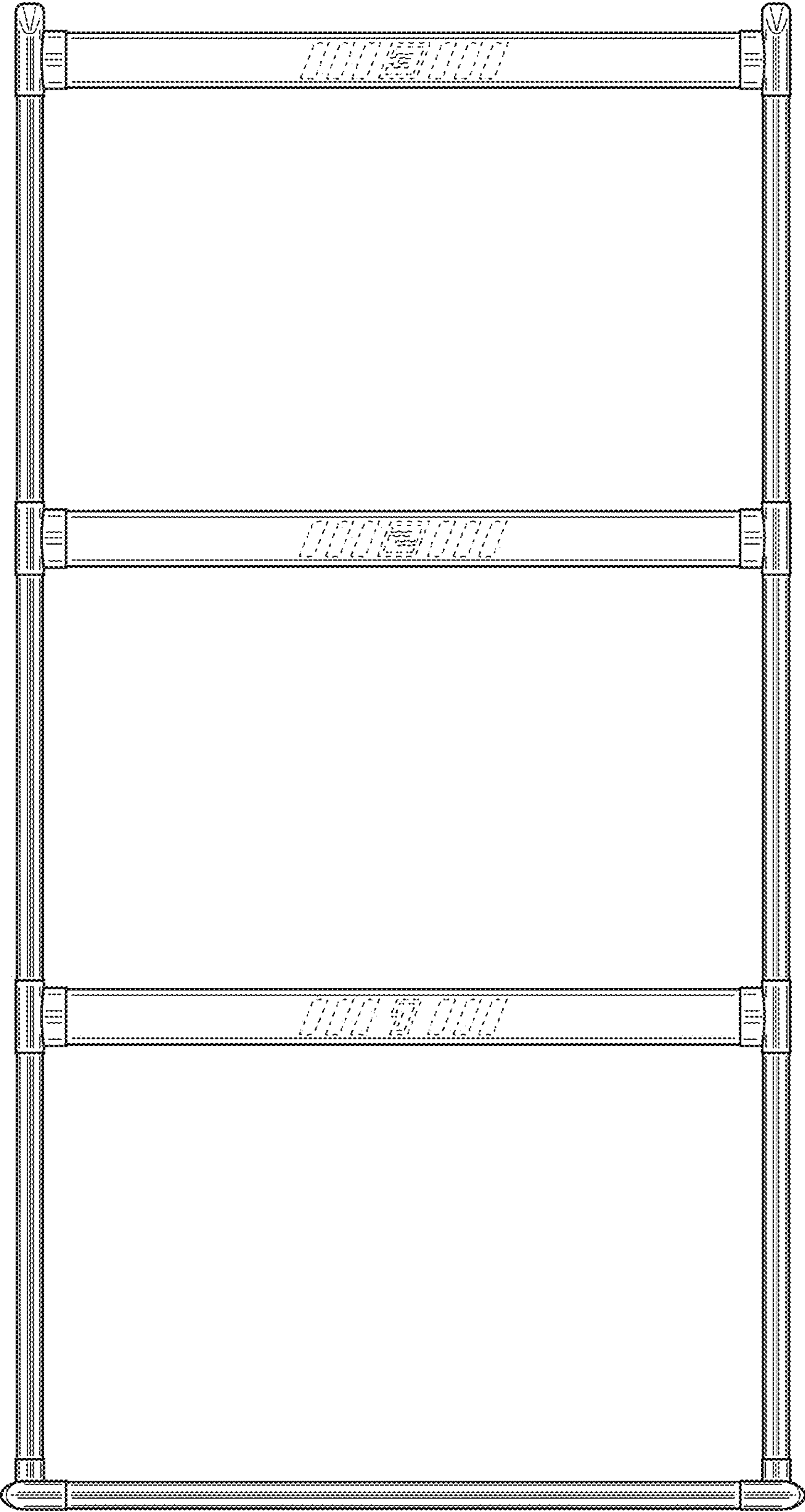


FIG. 2

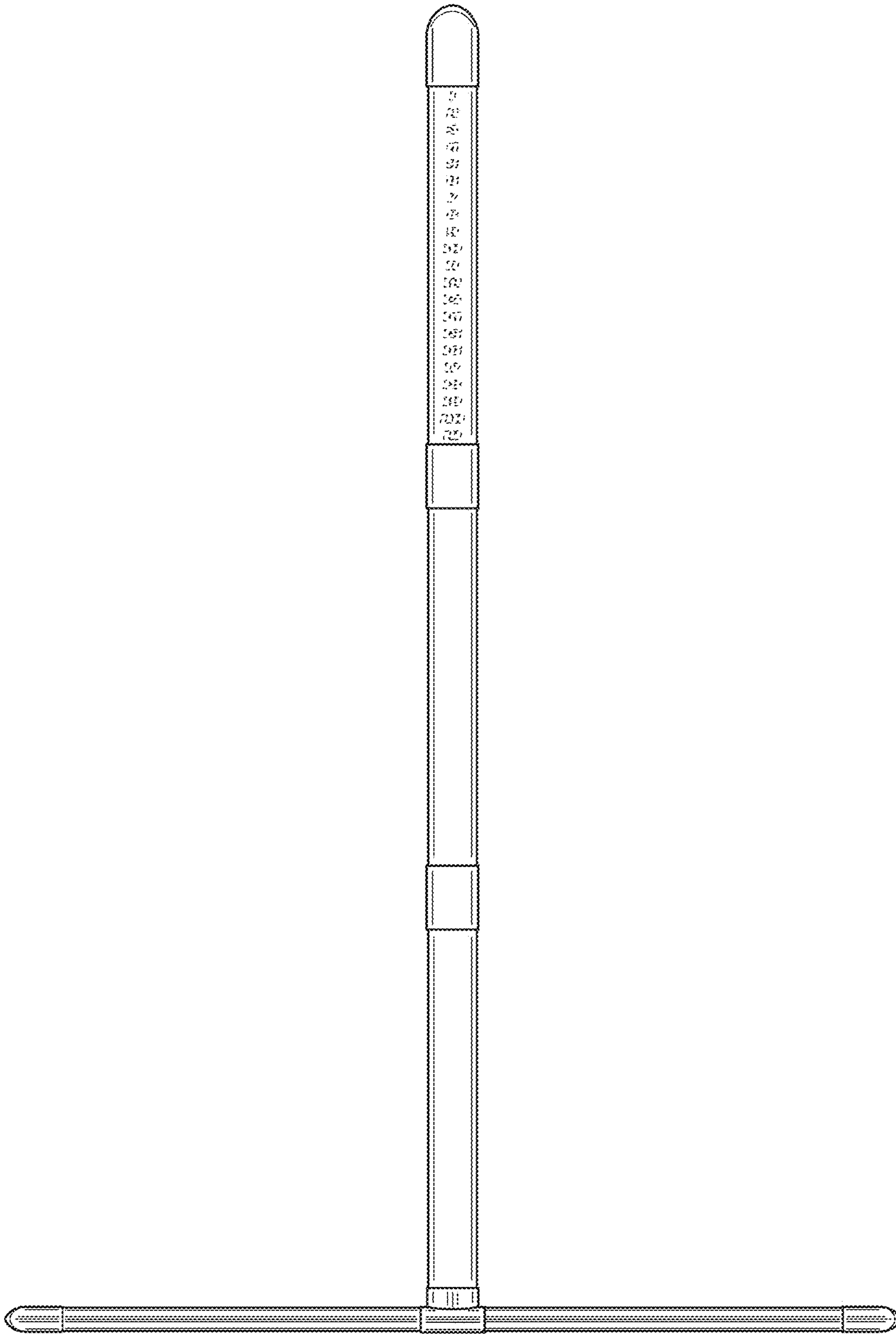


FIG. 3

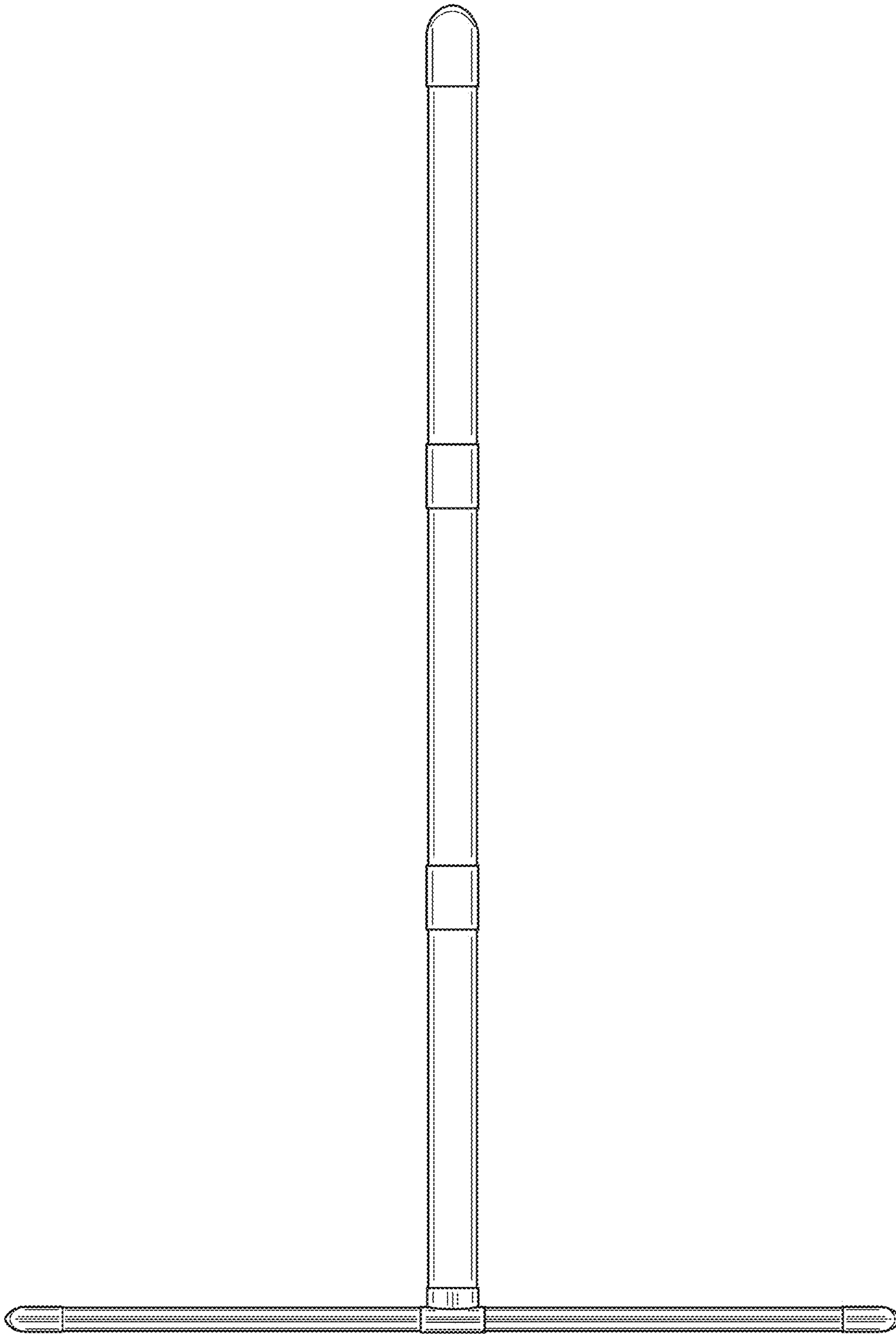


FIG. 4

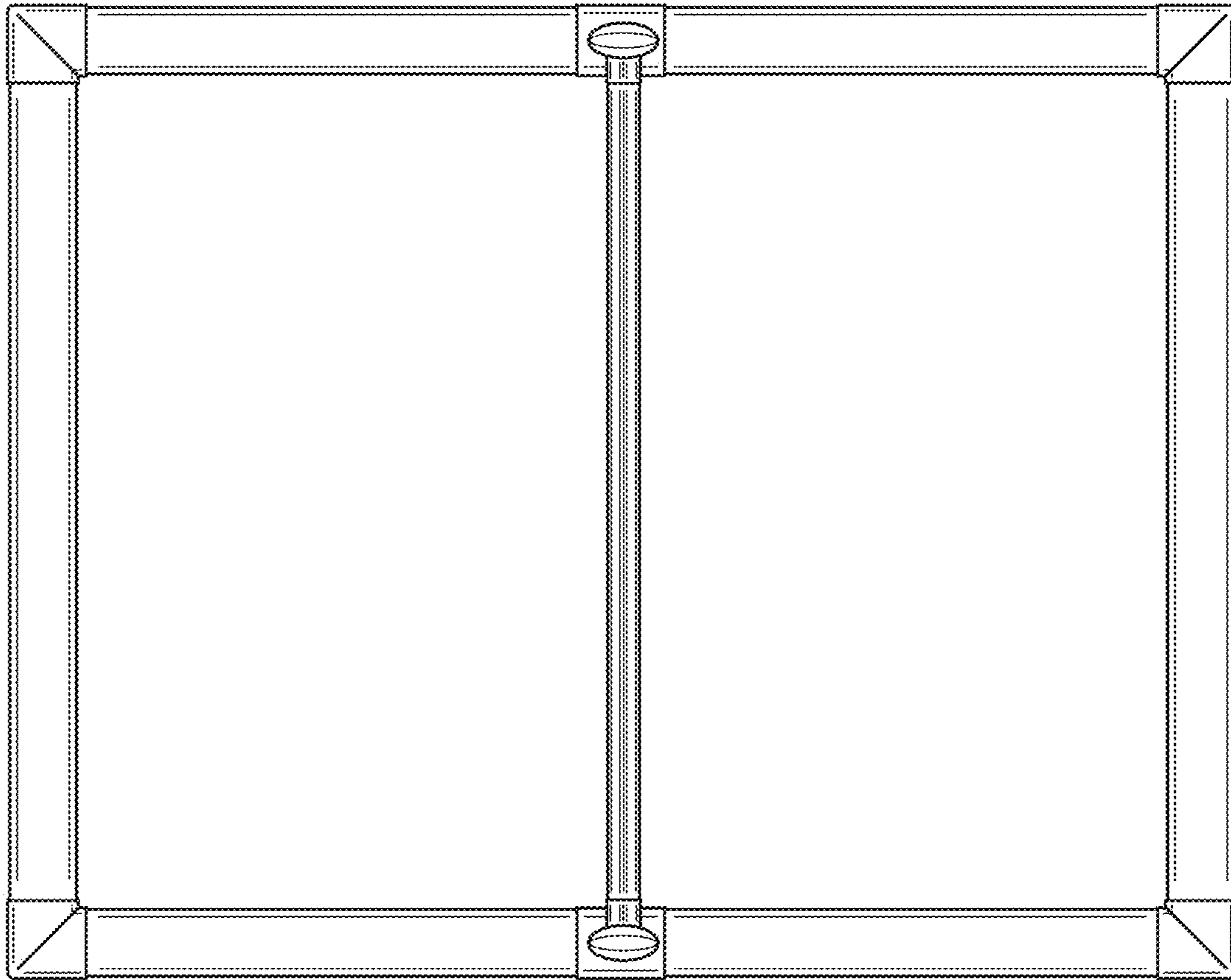


FIG. 5

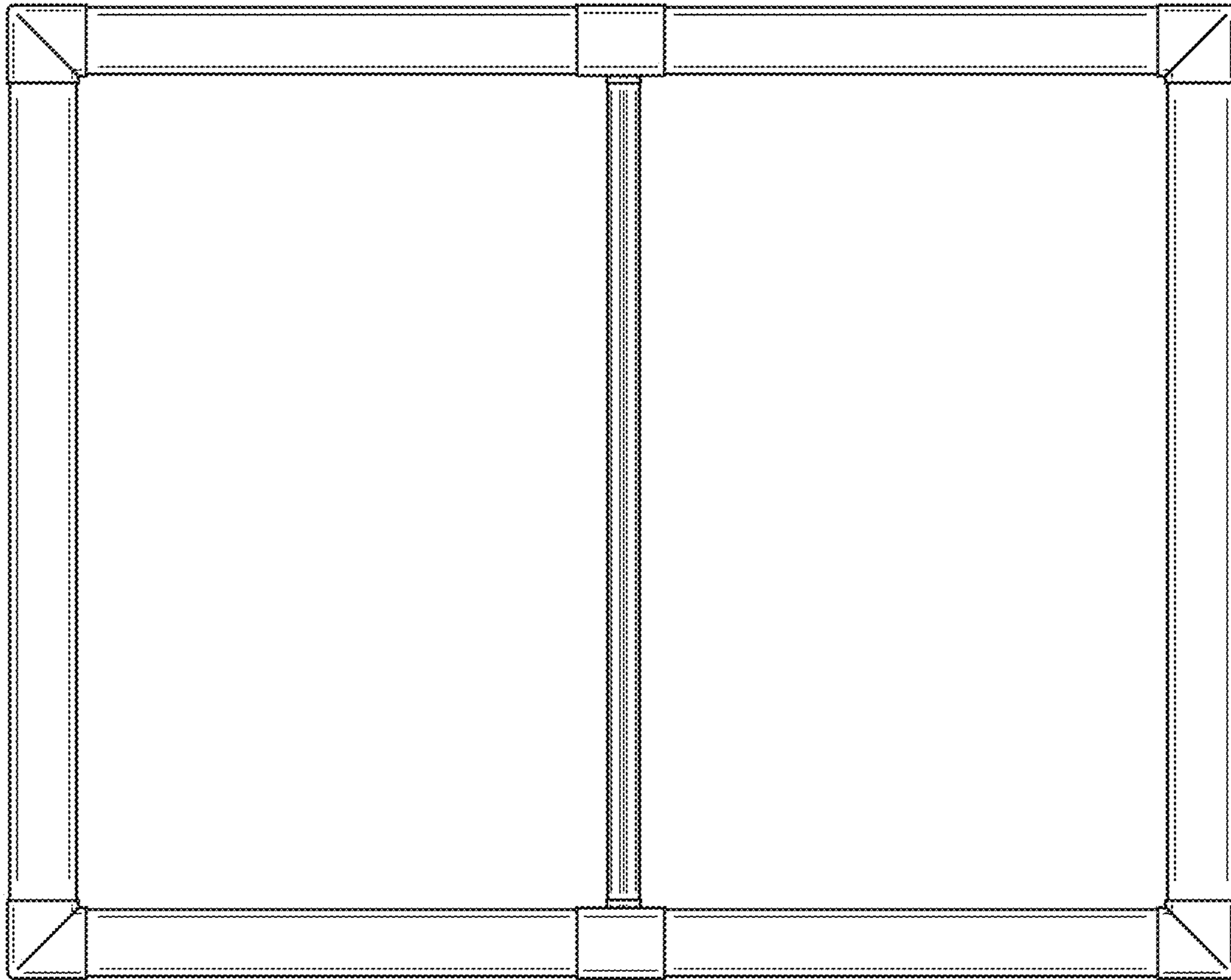


FIG. 6