



US00D969919S

(12) **United States Design Patent**  
**Samson et al.**

(10) **Patent No.:** **US D969,919 S**

(45) **Date of Patent:** **\*\* Nov. 15, 2022**

(54) **GAME LAYOUT**

(71) Applicant: **Sandstone Media, LLC**, Las Vegas, NV (US)

(72) Inventors: **James Samson**, Los Angeles, CA (US); **Kyle Rosenblum**, Los Angeles, CA (US); **Jonathan Sanford**, Los Angeles, CA (US); **Mark Manuel**, Los Angeles, CA (US)

(73) Assignee: **Sandstone Media, LLC**, Las Vegas, NV (US)

(\*\*) Term: **15 Years**

(21) Appl. No.: **29/761,506**

(22) Filed: **Dec. 9, 2020**

(51) **LOC (13) Cl.** ..... **21-01**

(52) **U.S. Cl.**  
USPC ..... **D21/301**

(58) **Field of Classification Search**  
USPC ..... D21/300, 302, 312, 313, 317, 318, 334, D21/335, 338, 339, 349, 357, 365, 386, D21/456, 784  
CPC ..... A01K 15/025; A63B 21/0053; A63B 21/0054; A63B 63/00; A63B 67/06; A63B 67/04; A63B 67/14; A63F 7/0005  
See application file for complete search history.

(56) **References Cited**

U.S. PATENT DOCUMENTS

1,221,803 A \* 4/1917 Johnston ..... A63F 7/0005 235/98 R  
D58,012 S \* 5/1921 Becker ..... D21/313  
D123,540 S \* 11/1940 Johnson ..... D21/790  
2,977,429 A \* 3/1961 Zimmerman ..... A63F 7/0058 200/16 R  
D222,492 S \* 10/1971 Miller et al. .... D21/456  
D232,245 S \* 7/1974 Sirois ..... D21/312

3,891,213 A \* 6/1975 Cooper ..... A63B 63/08 273/127 R  
D243,781 S \* 3/1977 Yamagata ..... D21/312  
D247,859 S \* 5/1978 Sato ..... D21/312  
4,171,812 A \* 10/1979 Marsin ..... A63B 57/40 473/166  
D281,084 S \* 10/1985 Norton ..... D21/303  
4,982,966 A \* 1/1991 Teafatiller ..... A63B 67/06 273/338  
D321,214 S \* 10/1991 Olson ..... D21/303  
D339,827 S \* 9/1993 Shiraishi ..... D21/313  
D353,431 S \* 12/1994 Yager ..... D21/790  
D369,188 S \* 4/1996 Briggs ..... D21/322  
5,809,938 A \* 9/1998 Baiera ..... A01K 15/025 119/707  
D423,601 S \* 4/2000 Seifert ..... D21/360  
D429,303 S \* 8/2000 Peterson, Jr. .... D21/790  
8,418,657 B2 \* 4/2013 Dixon ..... A01K 15/025 119/711  
D706,495 S \* 6/2014 Hansen ..... D30/121

(Continued)

*Primary Examiner* — Mehri F Bajoul  
(74) *Attorney, Agent, or Firm* — Patterson + Sheridan, LLP

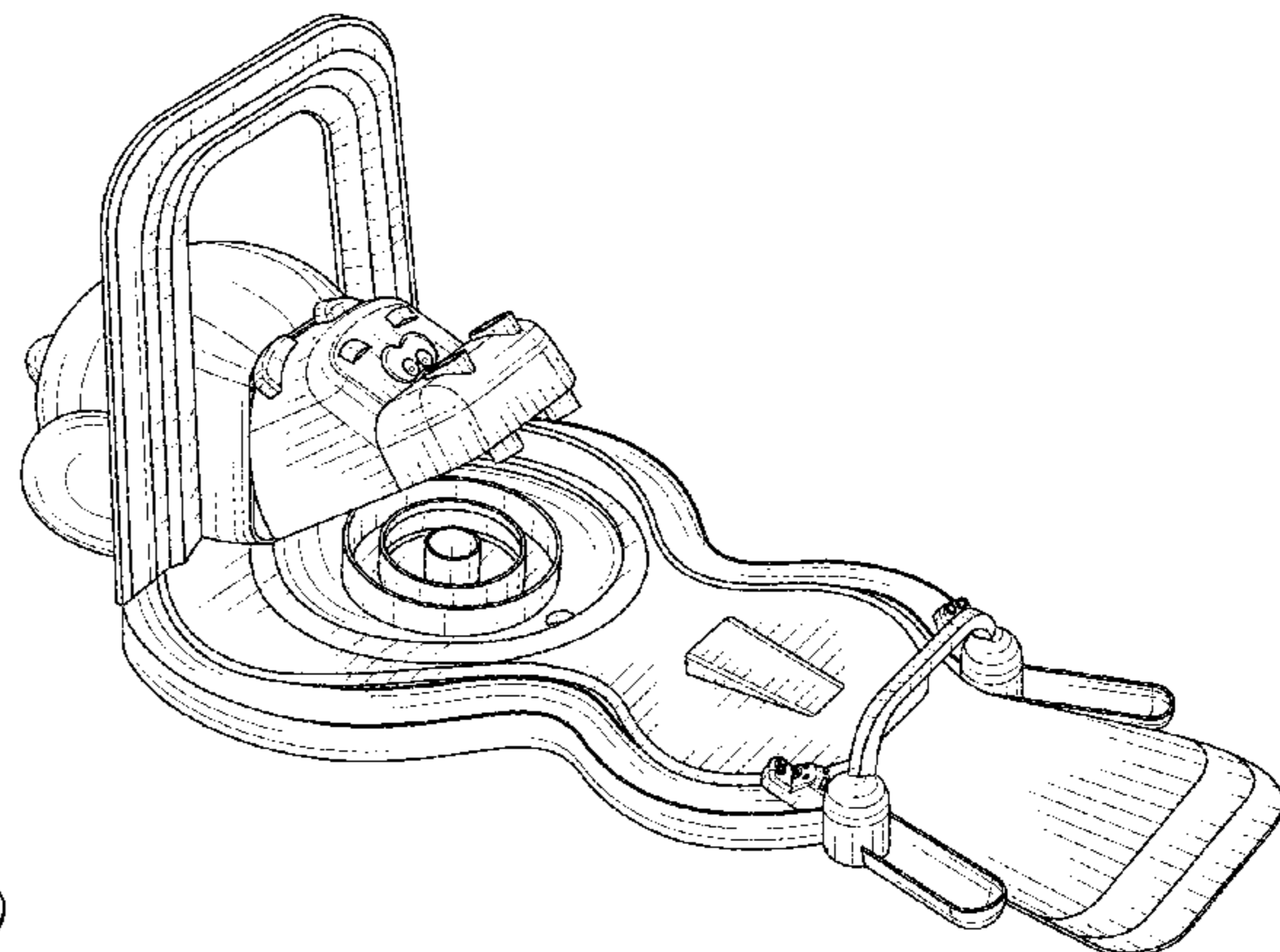
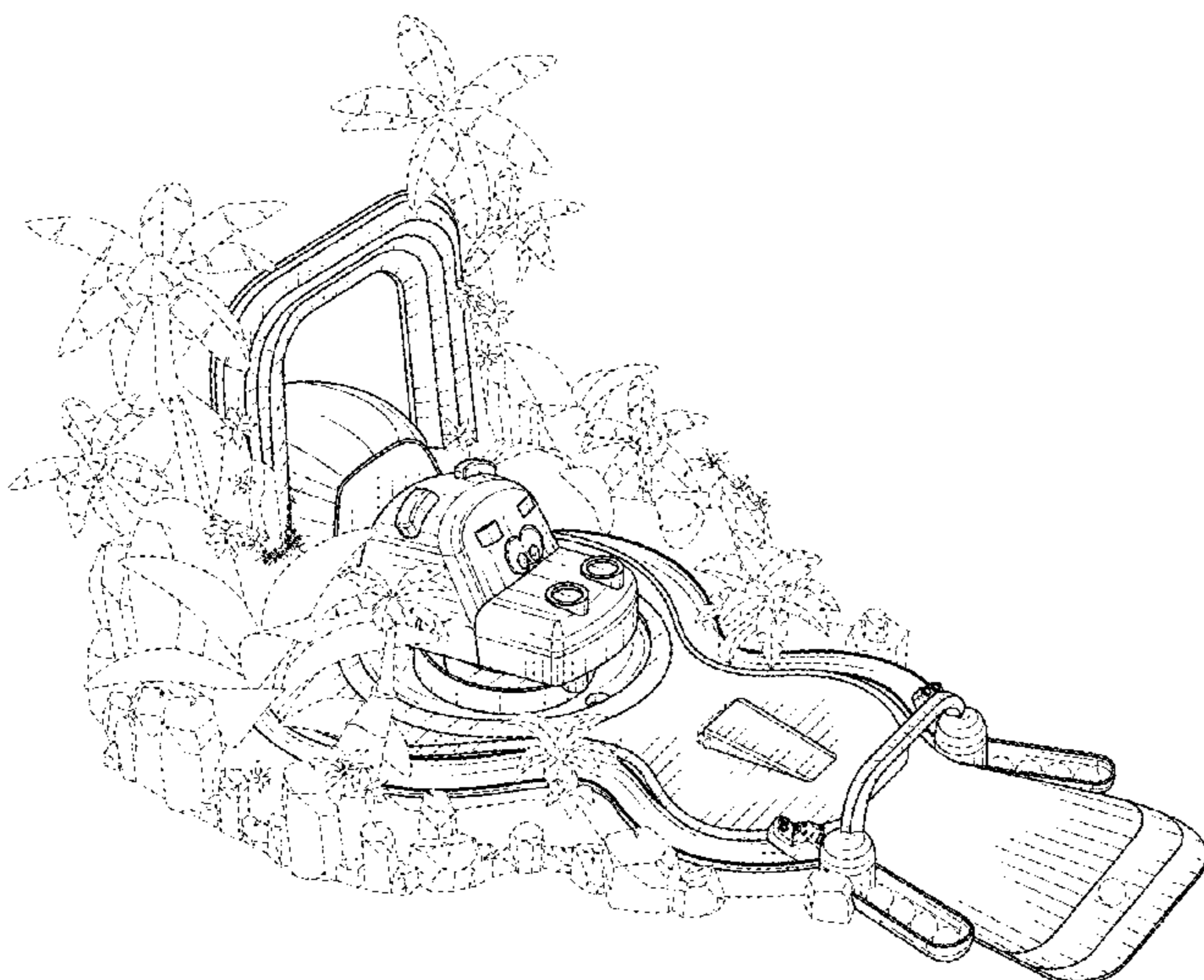
(57) **CLAIM**

The ornamental design for a game layout, as shown and described.

**DESCRIPTION**

FIG. 1 is a front perspective view of a first embodiment of a game layout showing our new design; FIG. 2 is another front perspective view thereof; and FIG. 3 is a rear perspective view thereof. FIG. 4 is a front perspective view of a second embodiment of a game layout showing our new design; FIG. 5 is another front perspective view thereof; and FIG. 6 is a rear perspective view thereof. The broken lines in the drawings depict environmental structure of the game layout that form no part of the claimed design.

**1 Claim, 6 Drawing Sheets**



(56)

**References Cited**

U.S. PATENT DOCUMENTS

D856,430 S \* 8/2019 Cangi ..... D21/303  
2009/0115136 A1\* 5/2009 Voden ..... A63B 21/0054  
273/245  
2011/0316228 A1\* 12/2011 Stites ..... A63B 67/04  
273/126 R

\* cited by examiner

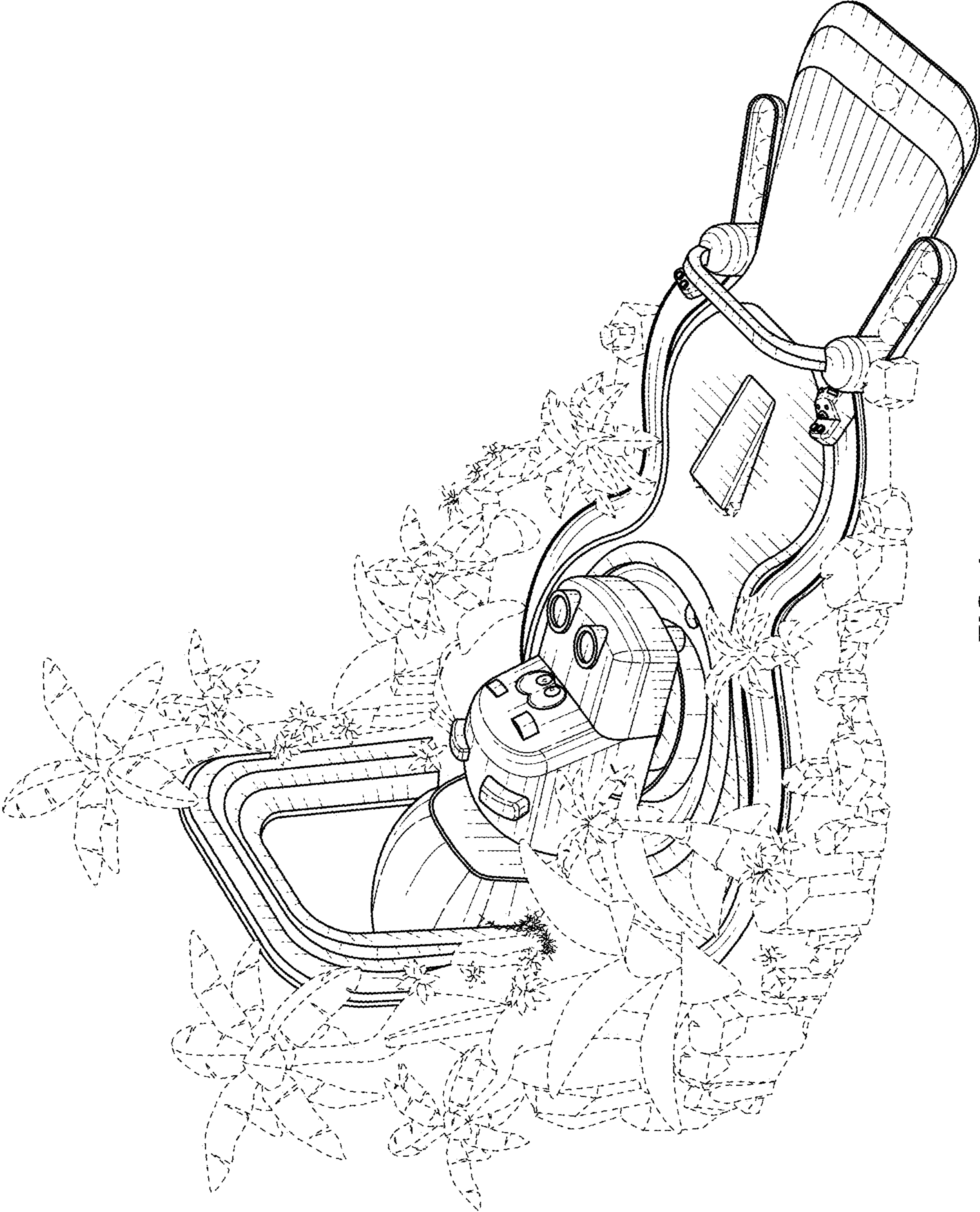


FIG. 1



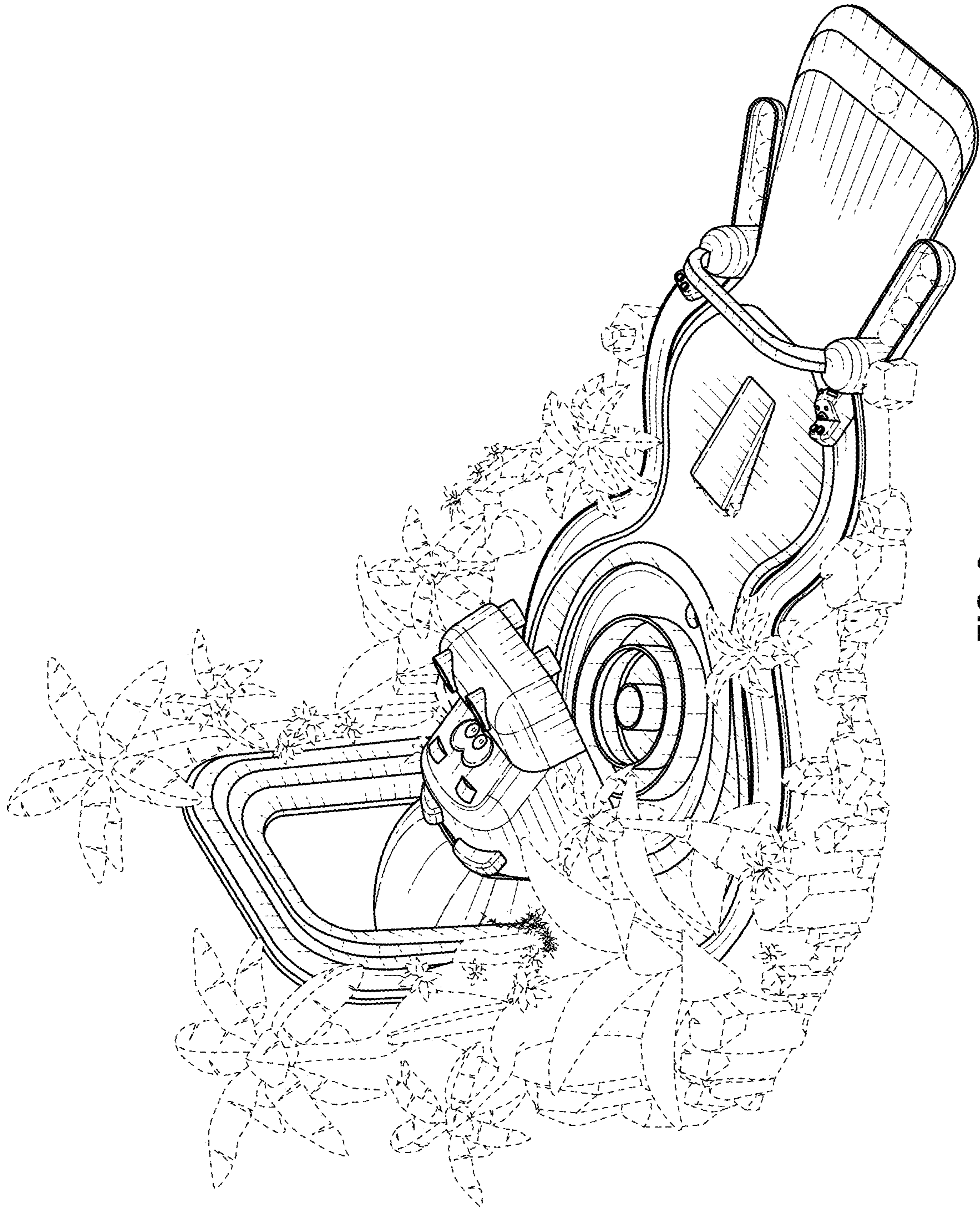


FIG. 2

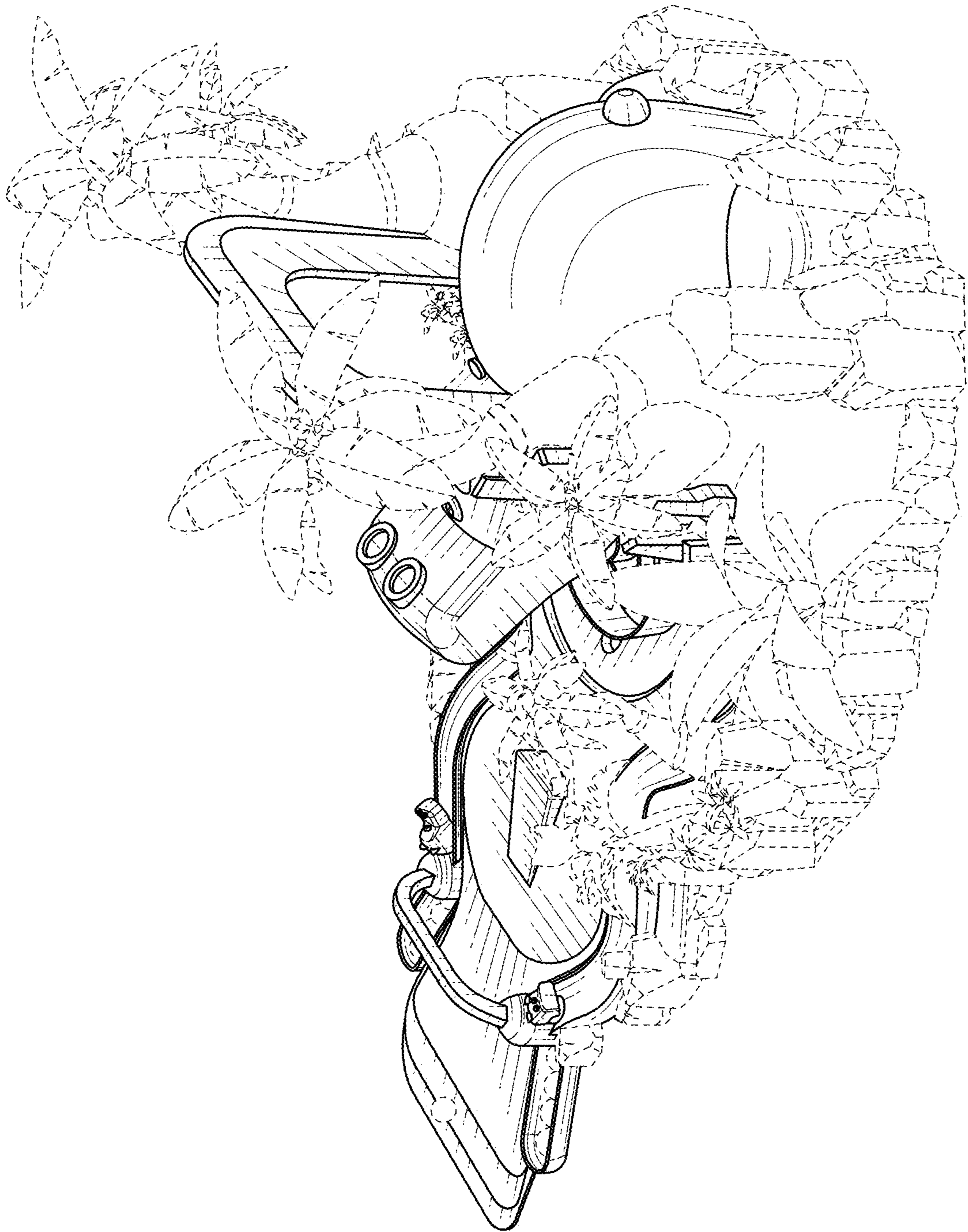


FIG. 3

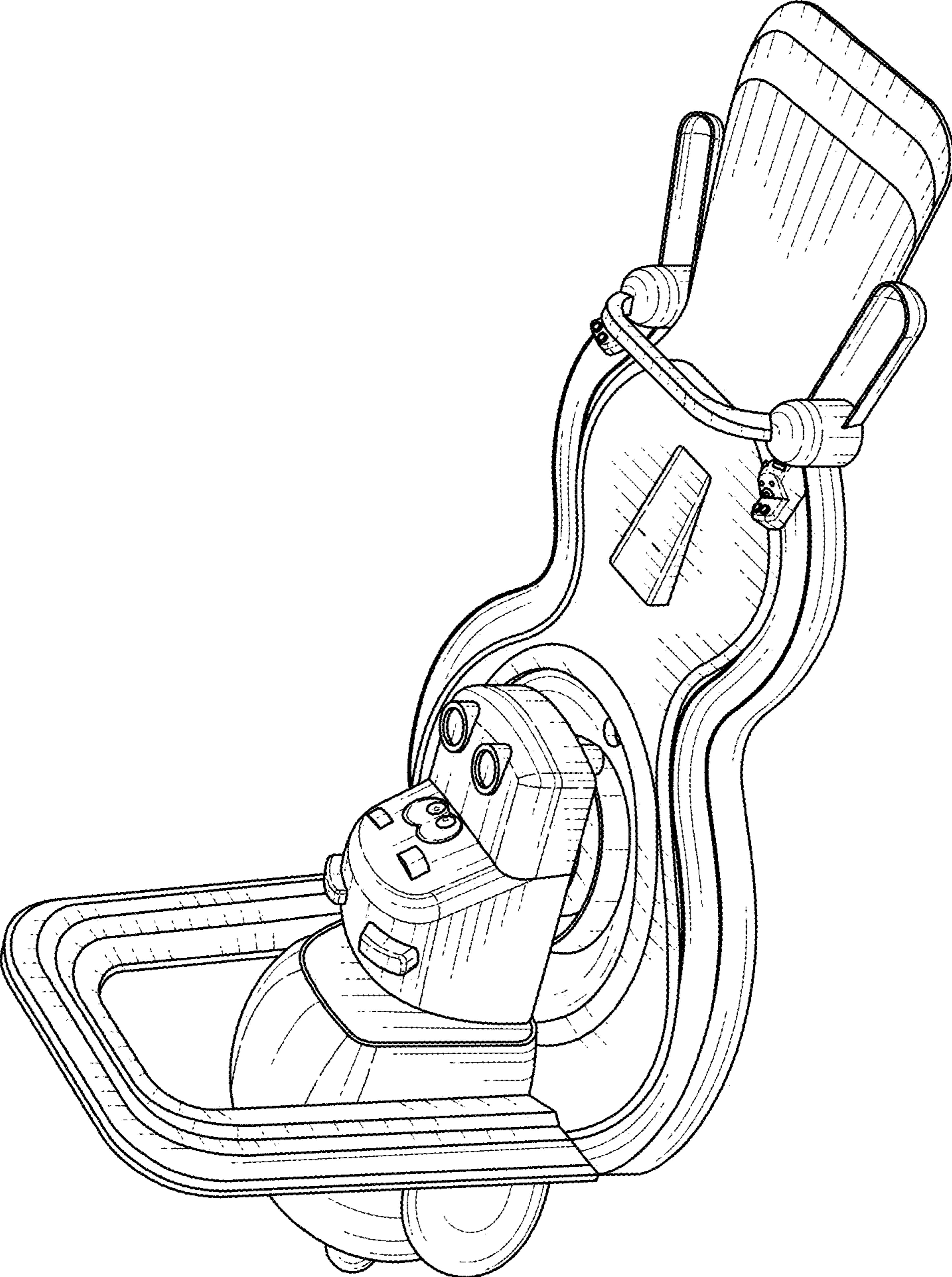


FIG. 4



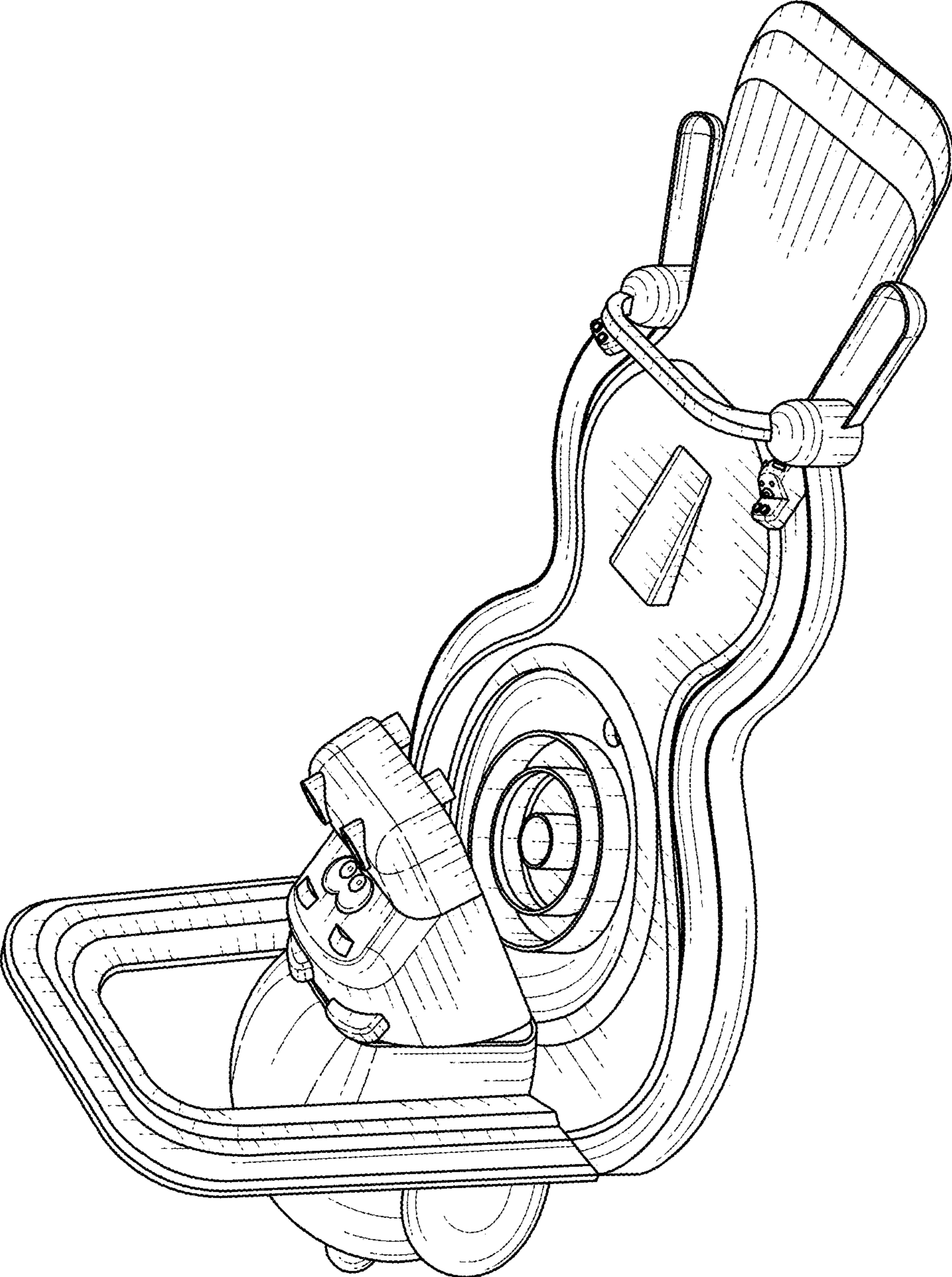


FIG. 5

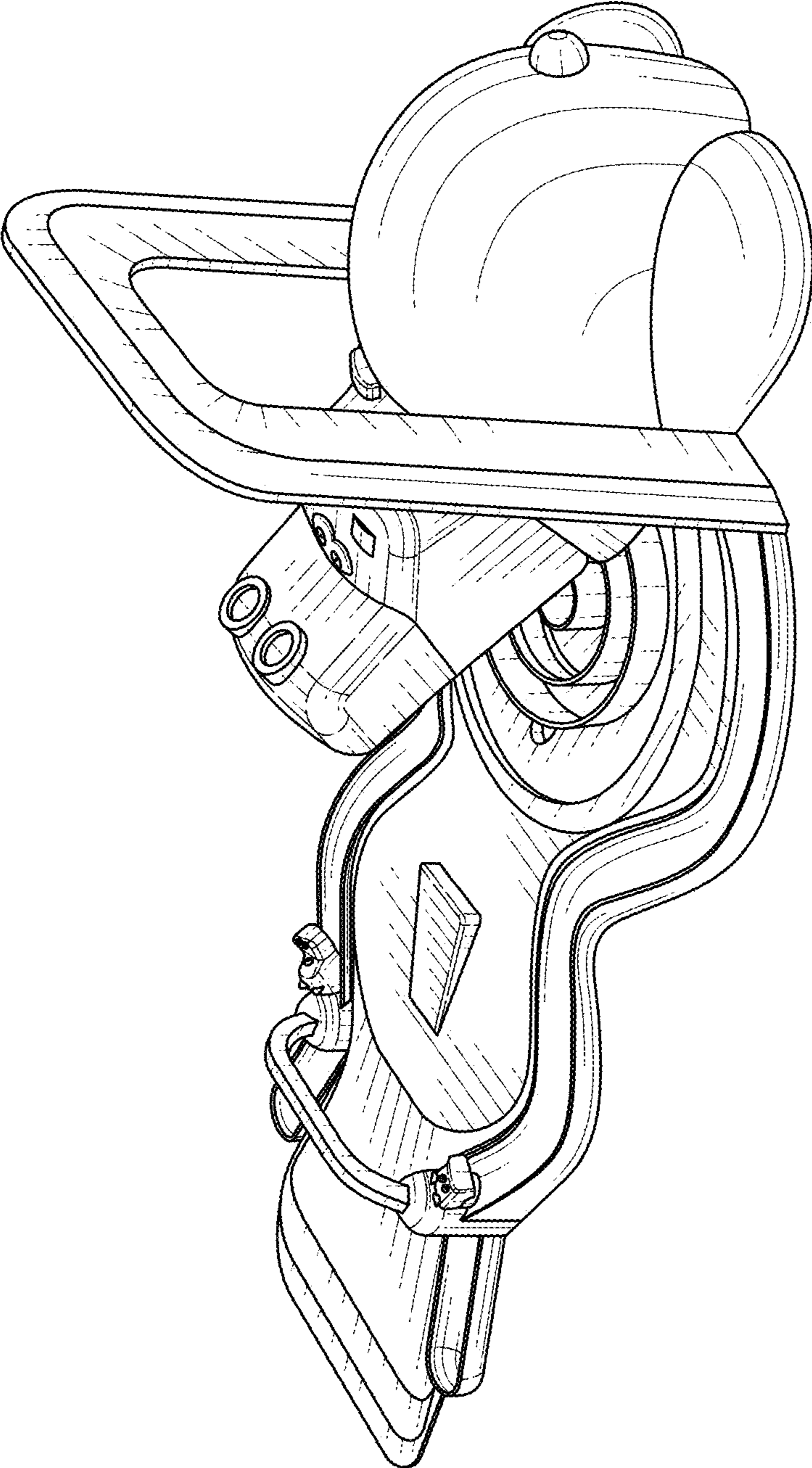


FIG. 6