



US00D969917S

(12) **United States Design Patent** (10) **Patent No.:** **US D969,917 S**  
**Staudt** (45) **Date of Patent:** **\*\* Nov. 15, 2022**

(54) **COMBINED STADIUM LIGHTING  
STRUCTURE AND MULTI-PANEL BANNER  
SIGN**

(71) Applicant: **Robert J. Staudt**, Va Vernia, TX (US)

(72) Inventor: **Robert J. Staudt**, Va Vernia, TX (US)

(\*\*) Term: **15 Years**

(21) Appl. No.: **29/704,871**

(22) Filed: **Sep. 8, 2019**

(51) **LOC (13) Cl.** ..... **20-03**

(52) **U.S. Cl.**  
USPC ..... **D20/42; D20/41**

(58) **Field of Classification Search**

USPC ..... D20/10, 11, 19, 22, 23, 26, 27, 28, 29,  
D20/39, 41, 42, 43, 99

CPC ..... G09F 1/00; G09F 1/04; G09F 3/00; G09F  
3/005; G09F 3/0288; G09F 3/0289; G09F  
3/02; G09F 3/04; G09F 3/06; G09F 3/08;  
G09F 3/10; G06K 19/0776

See application file for complete search history.

(56) **References Cited**

**U.S. PATENT DOCUMENTS**

- 1,901,855 A \* 3/1933 Du Pont ..... G09F 21/12  
40/215
- 1,963,772 A \* 6/1934 Bohannon ..... G09F 21/12  
40/215
- 1,974,039 A \* 9/1934 Gilbert ..... G09F 21/14  
40/215
- 2,122,766 A \* 7/1938 Wiemer ..... G09F 21/14  
40/215
- 5,899,010 A \* 5/1999 Peck ..... G09F 7/12  
40/618
- D483,413 S \* 12/2003 Merenlender ..... D20/10
- D608,830 S \* 1/2010 Taylor ..... D20/10
- D608,831 S \* 1/2010 Taylor ..... D20/10

(Continued)

**OTHER PUBLICATIONS**

Darrell K Royal Texas Memorial Stadium, posted at Shutterstock.com, posted on Nov. 14, 2013, site visited Jun. 30, 2021. online, available from internet: <https://www.shutterstock.com/image-photo/austintxusa-november-14-darrell-k-royal-164995685> (Year: 2013).\*

(Continued)

*Primary Examiner* — Catherine Ho

(74) *Attorney, Agent, or Firm* — Hulsey P.C.

(57) **CLAIM**

I claim the ornamental design for a combined stadium lighting structure and multi-panel banner sign, as shown and described.

**DESCRIPTION**

FIG. 1 is a front right side perspective view of a combined stadium lighting structure and multi-panel banner sign showing my new design;

FIG. 2 is a front view thereof;

FIG. 3 is a back view thereof;

FIG. 4 is a front view of one of the panels isolated for clarity of disclosure;

FIG. 5 is a back view thereof;

FIG. 6 is a right side view thereof;

FIG. 7 is a left side view thereof;

FIG. 8 is a top plan view thereof;

FIG. 9 is a perspective view of one of the banner portions isolated for clarity of disclosure;

FIG. 10 is a right side view thereof;

FIG. 11 is a left side view thereof;

FIG. 12 is a top plan view thereof;

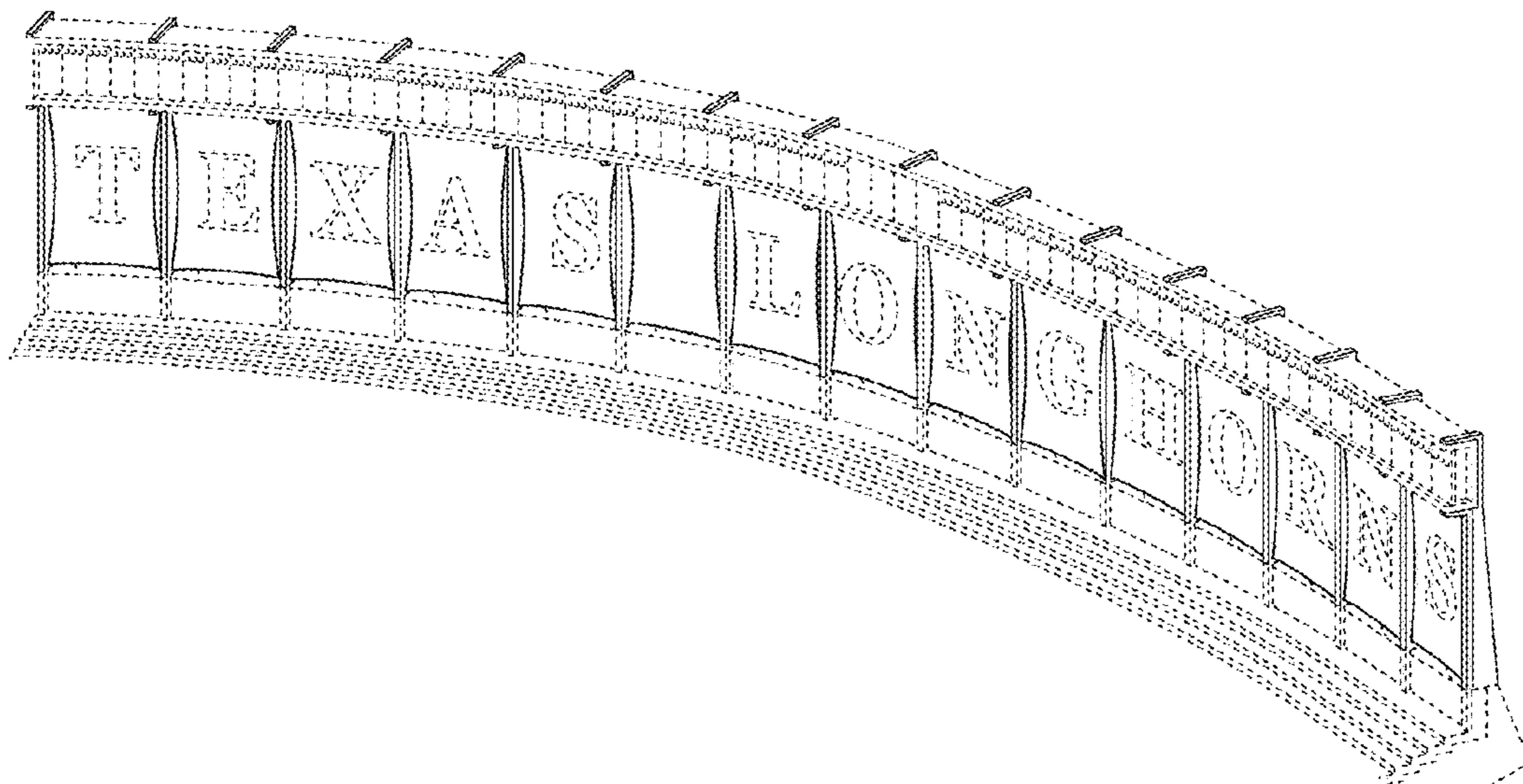
FIG. 13 is a bottom plan view thereof;

FIG. 14 is a front plan view thereof; and,

FIG. 15 is a rear plan view thereof.

The broken line portion of the figure drawings is included to show portions of the article that form no part of the claimed design.

**1 Claim, 6 Drawing Sheets**



(56)

**References Cited**

U.S. PATENT DOCUMENTS

D611,102 S \* 3/2010 Taylor ..... D20/10  
7,716,860 B1 \* 5/2010 Burris ..... G09F 11/30  
40/514  
7,774,967 B1 \* 8/2010 Jones ..... G09F 17/00  
40/604  
8,006,420 B2 \* 8/2011 Merner ..... G09F 15/0025  
40/604  
D645,090 S \* 9/2011 Gimpel ..... D20/10  
2010/0050489 A1 \* 3/2010 Merner ..... G09F 15/0025  
40/604  
2010/0139135 A1 \* 6/2010 Taylor ..... G09F 17/00  
40/541

OTHER PUBLICATIONS

U-T Now, posted at Utsandiego.com, posted on Sep. 14, 2014, site visited Jul. 6, 2021. online, available from internet: [http://live.utsandiego.com/Event/U-T\\_Now\\_Chargers-Seahawks/126956532](http://live.utsandiego.com/Event/U-T_Now_Chargers-Seahawks/126956532) (Year: 2014).\*

Chargers, posted at Twitter.com, posted on Dec. 16, 2012, site visited Jul. 6, 2021. online, available from internet: <https://twitter.com/CBSChargers/status/280400341936242688/photo/1> (Year: 2012).\*

Rio, posted at Alamy.com, posted on Jul. 13, 2014, site visited Jul. 6, 2021. online, available from internet: <https://www.alamy.com/stock-photo-rio-de-janeiro-brazil-13th-july-2014-a-sign-with-the-german-flag-and-71708959.html> (Year: 2014).\*

\* cited by examiner

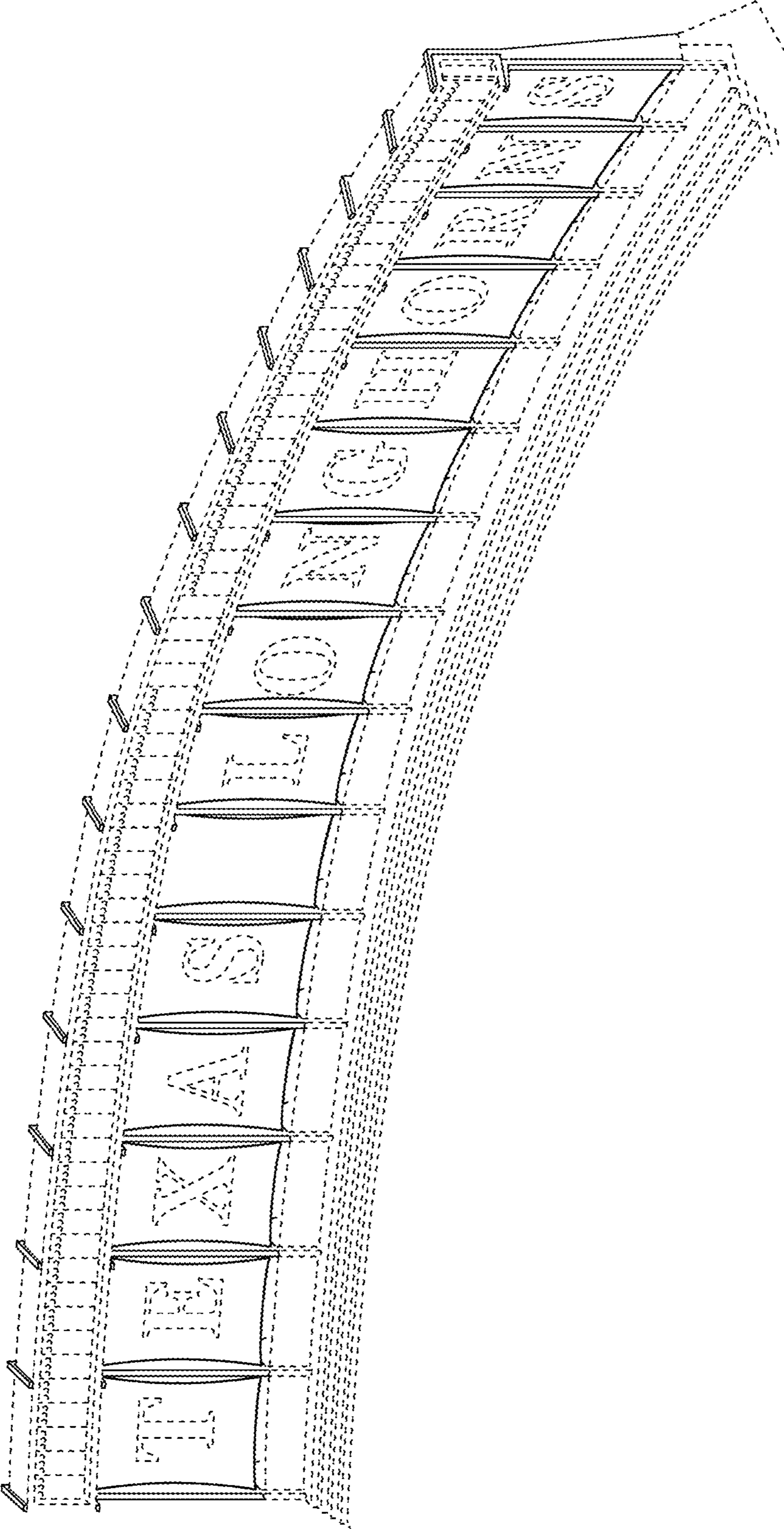


FIG. 1

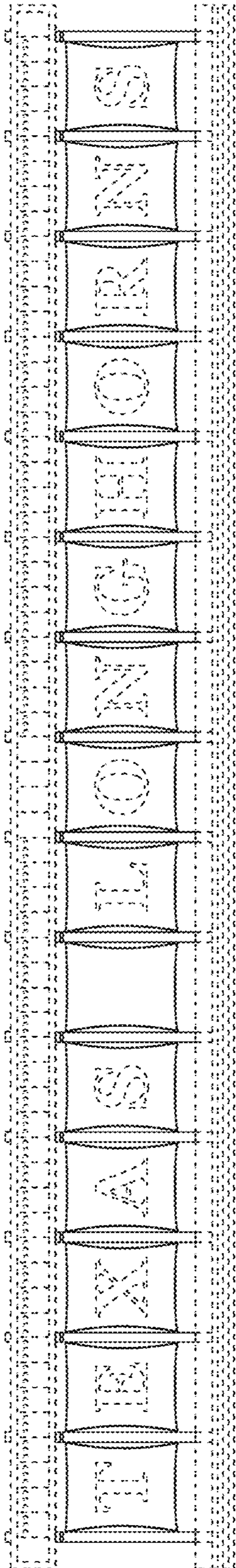


FIG. 2

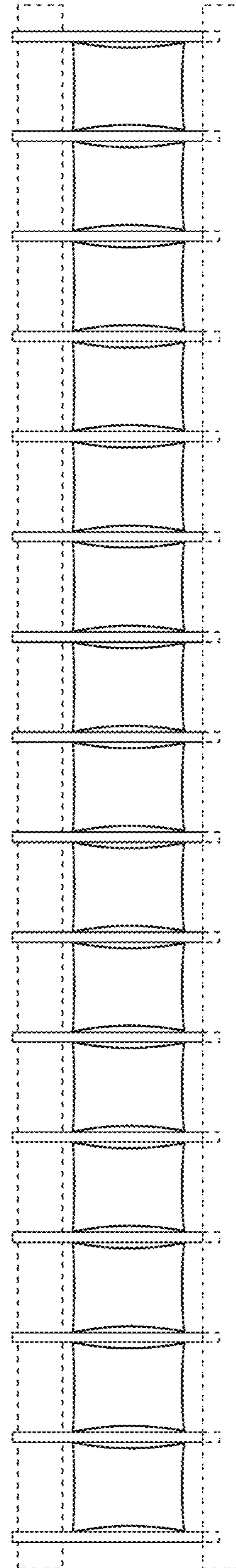


FIG. 3

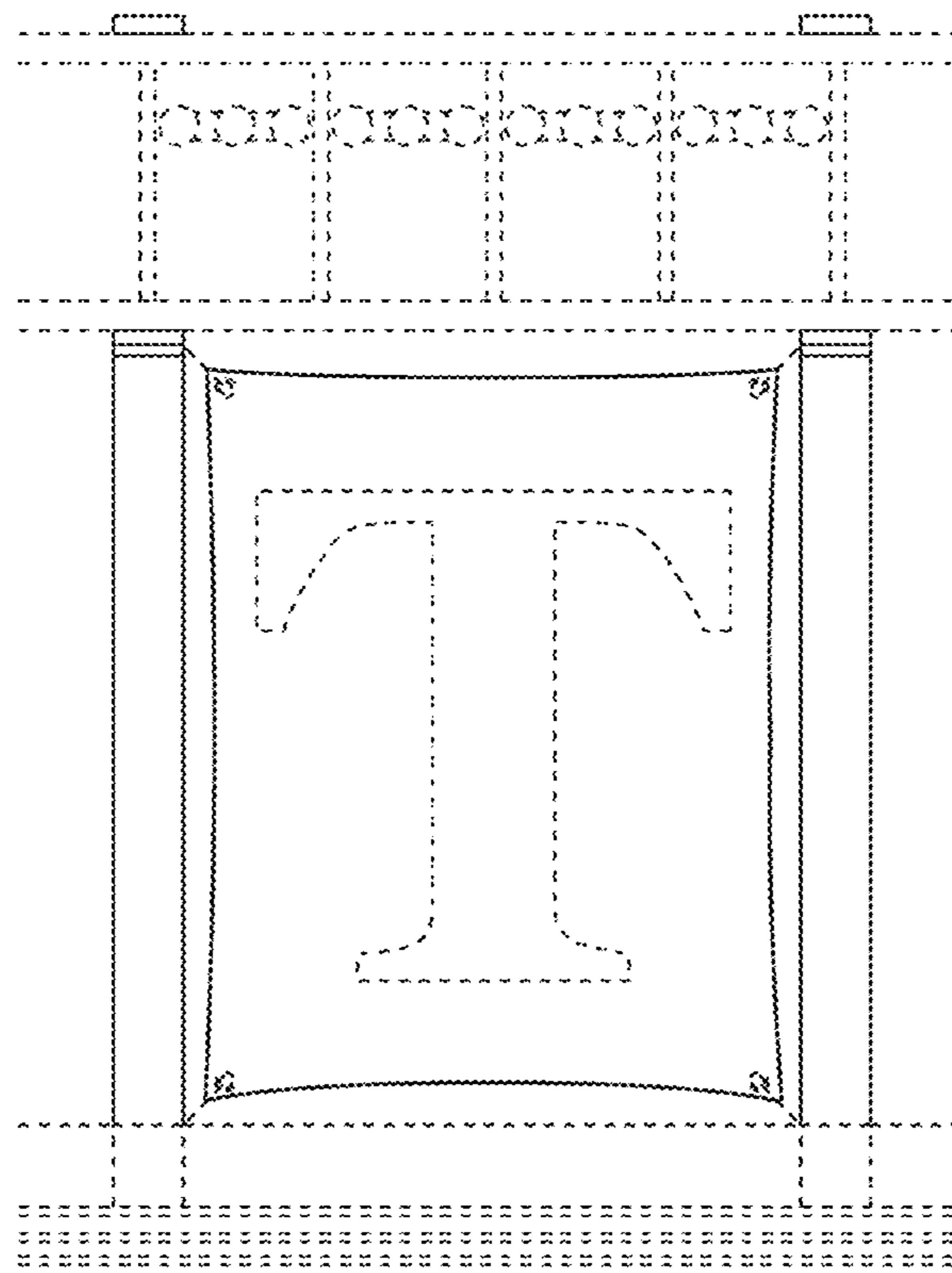


FIG. 4

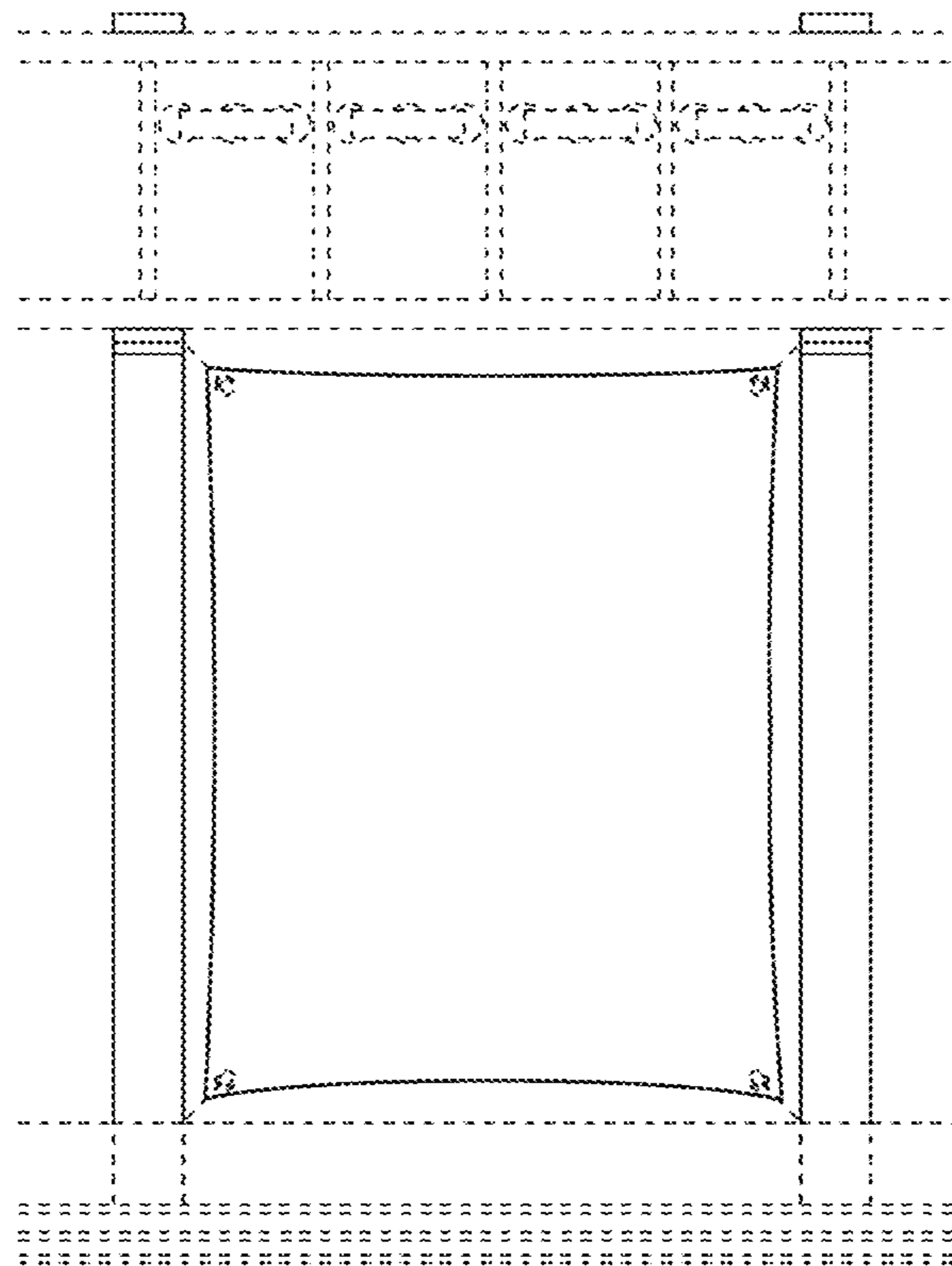
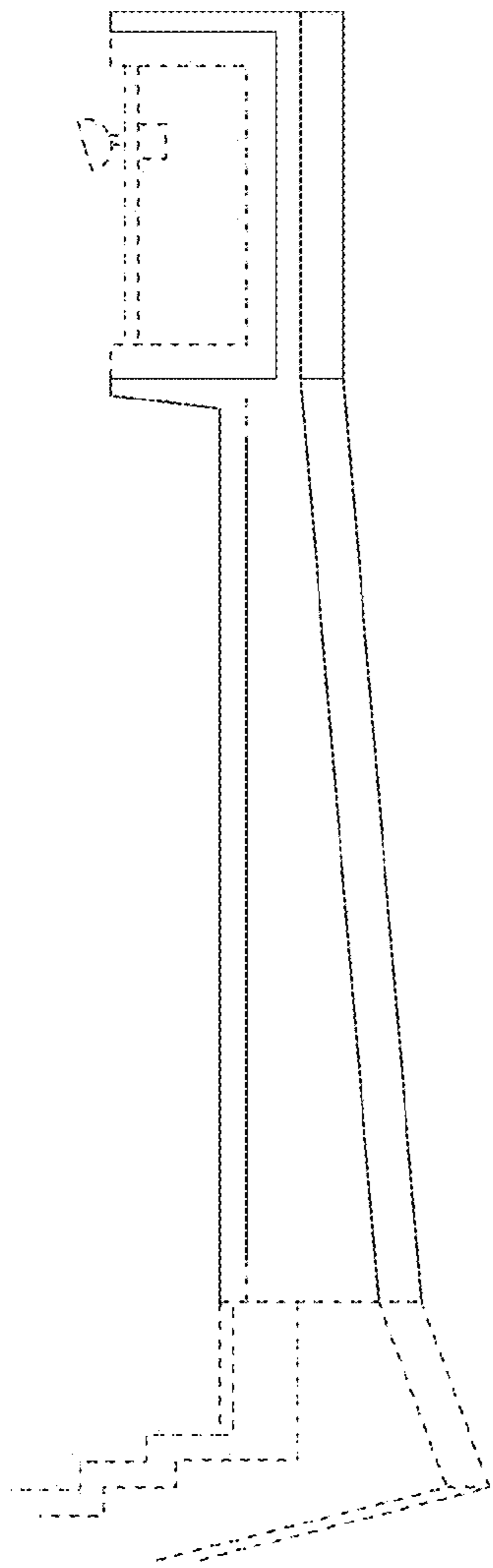
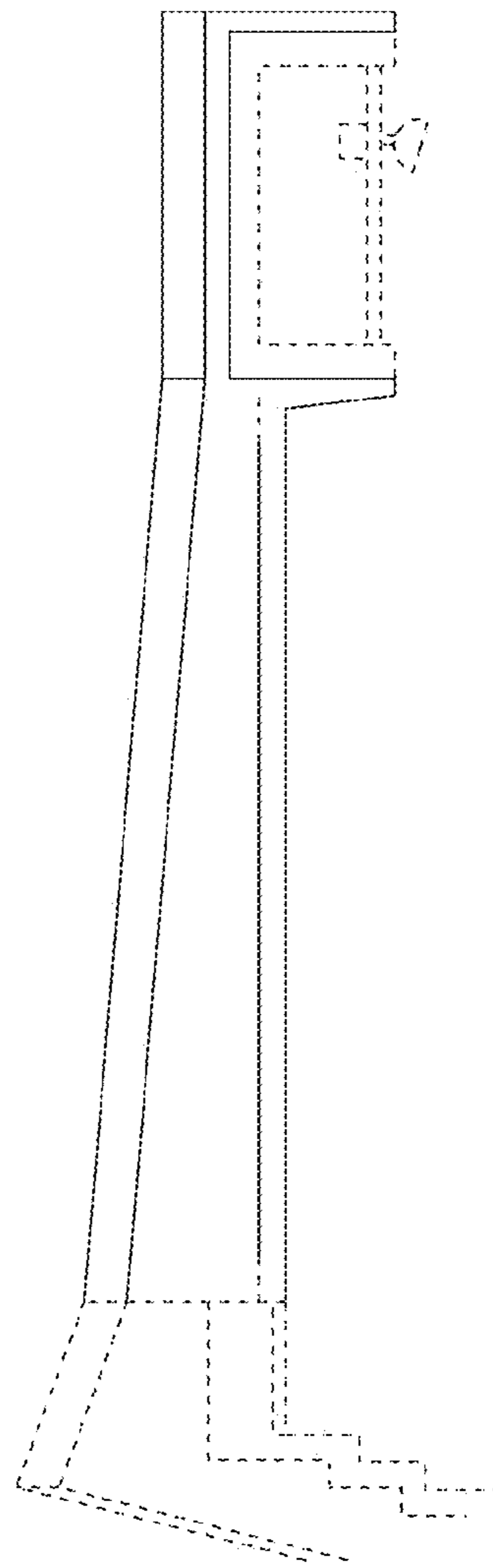


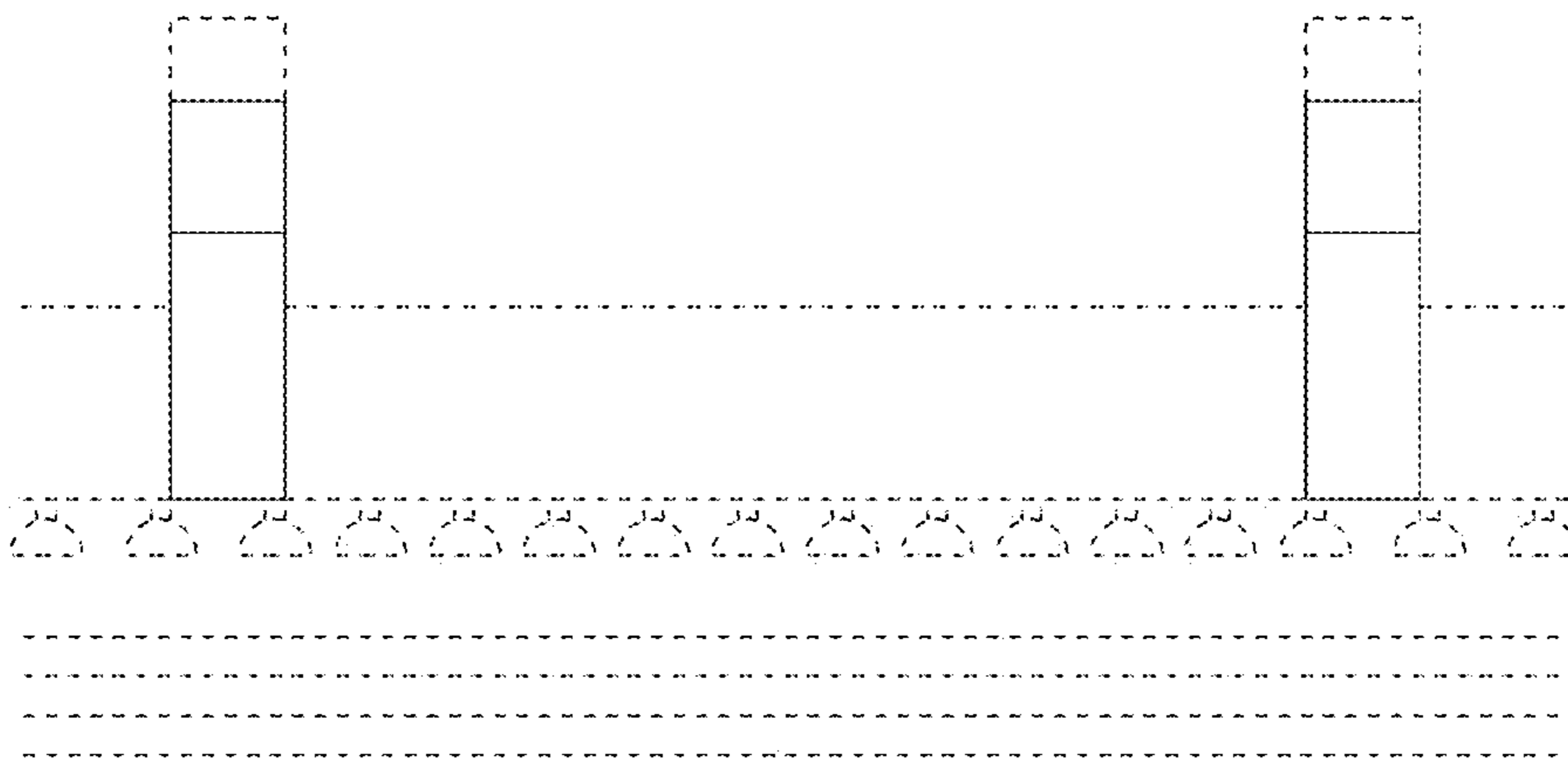
FIG. 5



**FIG. 6**



**FIG. 7**



**FIG. 8**

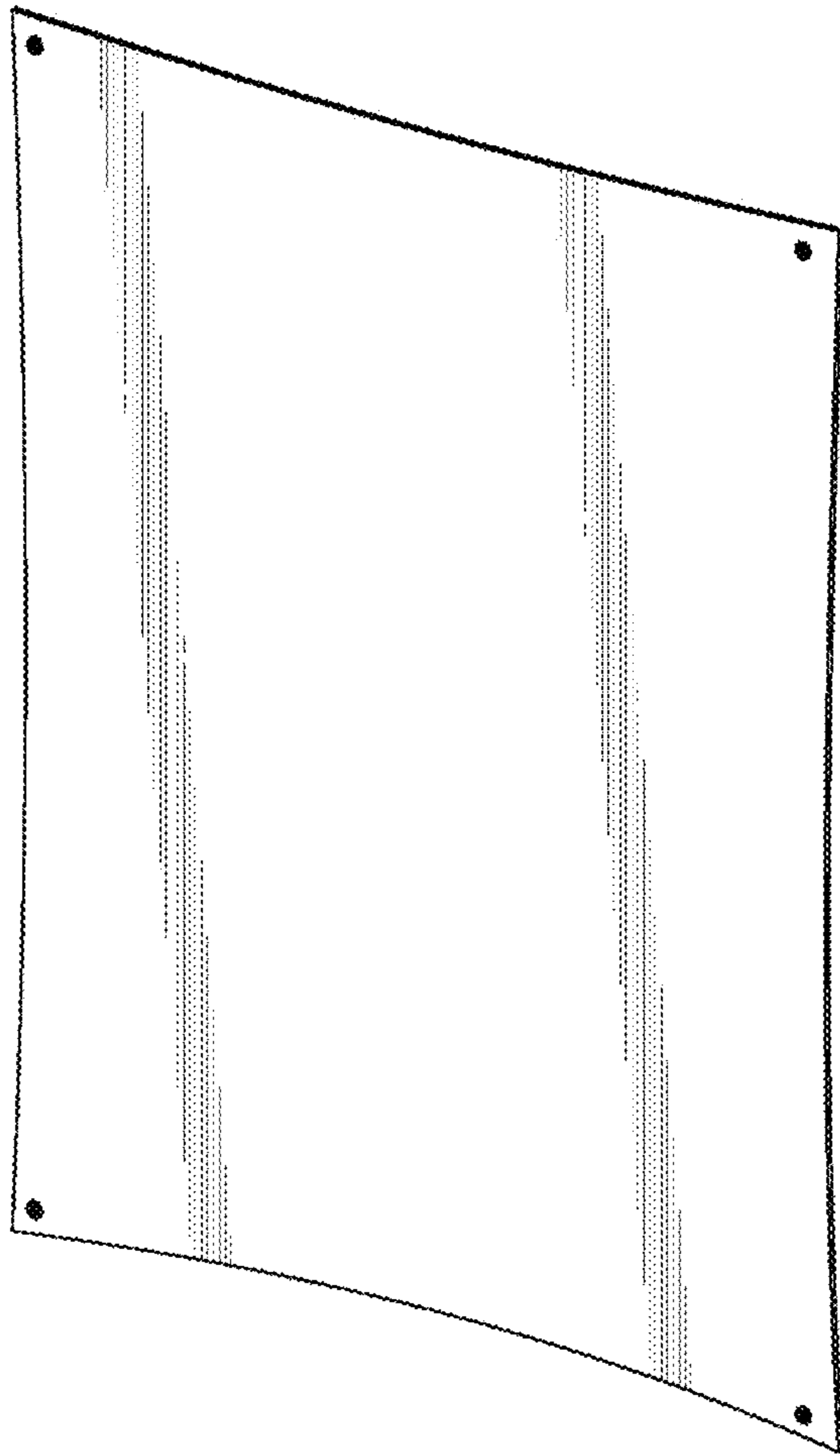


FIG. 9



FIG. 10



FIG. 11

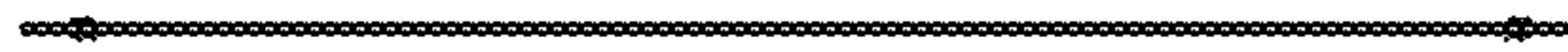


FIG. 12

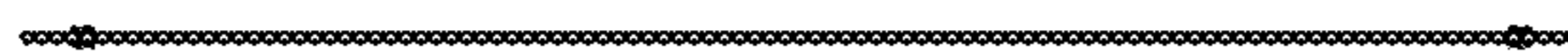


FIG. 13

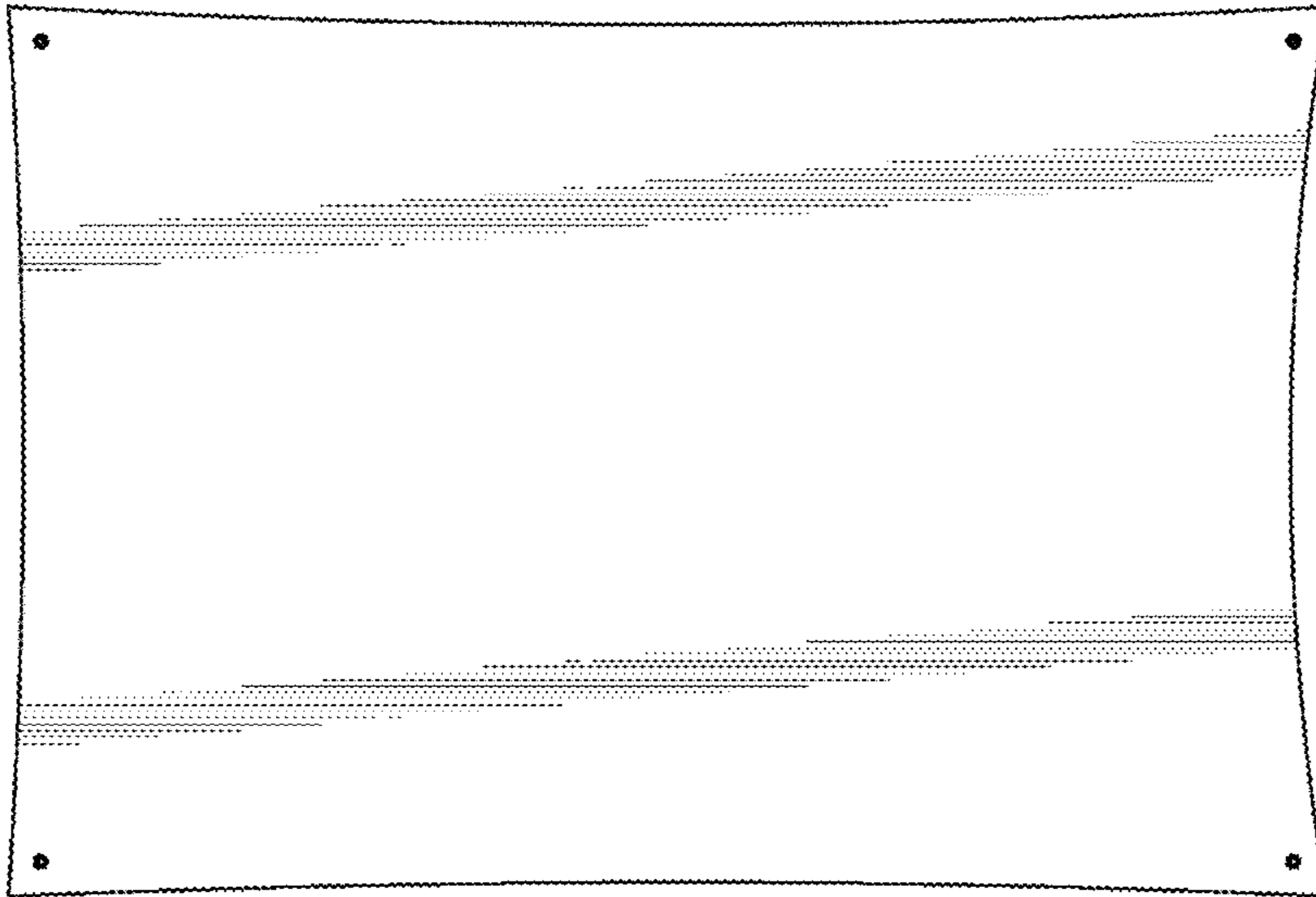


FIG. 15

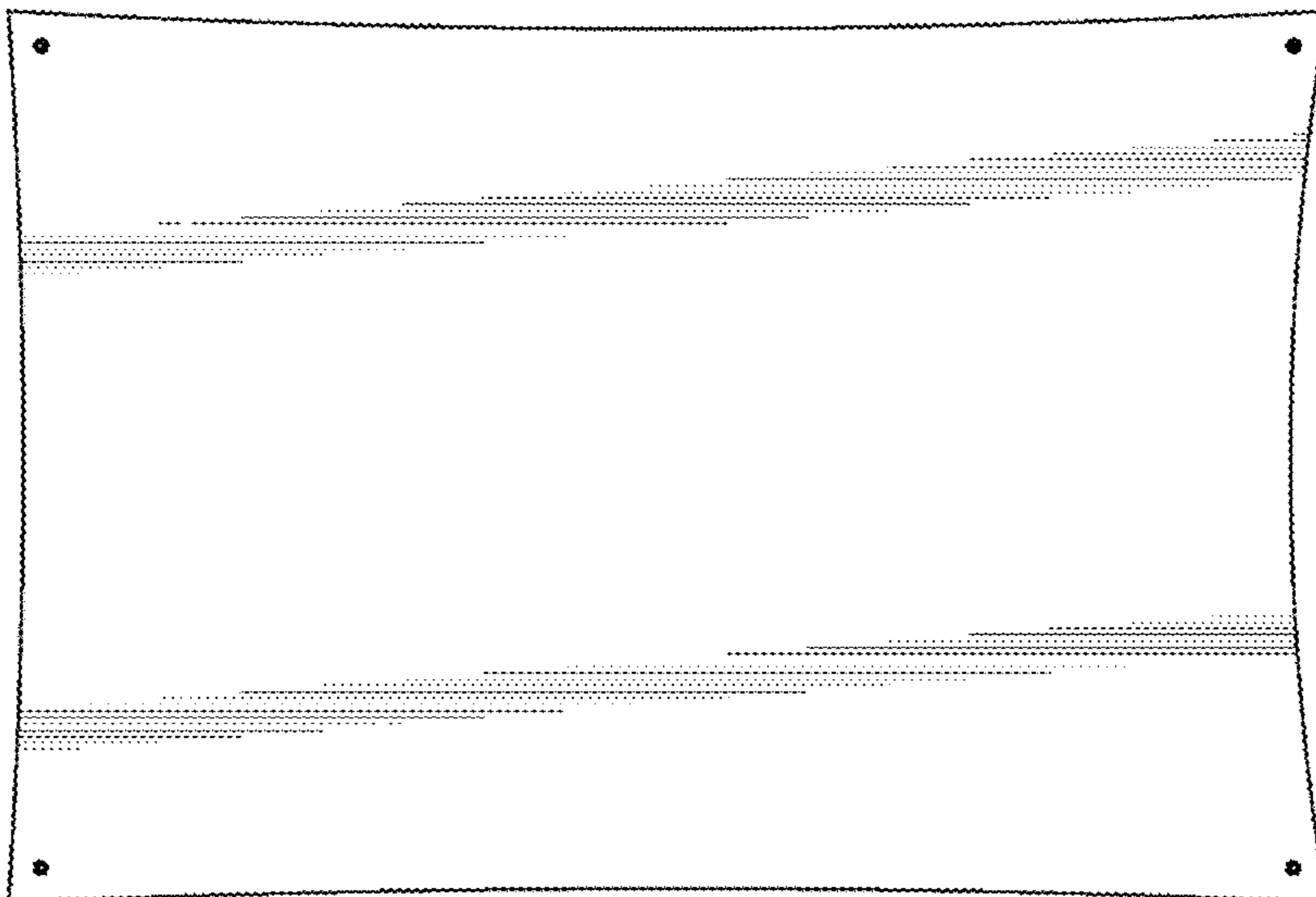


FIG. 14



UNITED STATES PATENT AND TRADEMARK OFFICE  
**CERTIFICATE OF CORRECTION**

PATENT NO. : D969,917 S  
APPLICATION NO. : 29/704871  
DATED : November 15, 2022  
INVENTOR(S) : Robert J. Staudt

Page 1 of 1

It is certified that error appears in the above-identified patent and that said Letters Patent is hereby corrected as shown below:

On the Title Page

Item (71) Applicant: change "Va Vernia" to --La Vernia--; and

Item (72) Inventor: change "Va Vernia" to --La Vernia--.

Signed and Sealed this  
Twenty-seventh Day of December, 2022



Katherine Kelly Vidal  
*Director of the United States Patent and Trademark Office*