

US00D969914S

(12) **United States Design Patent** (10) **Patent No.:** **US D969,914 S**  
**Andrews** (45) **Date of Patent:** **\*\* Nov. 15, 2022**

(54) **INFLATABLE SIGN**  
(71) Applicant: **Ryan Andrews**, Temecula, CA (US)  
(72) Inventor: **Ryan Andrews**, Temecula, CA (US)  
(73) Assignee: **Ryan Andrews**, Temecula, CA (US)  
(\*\*) Term: **15 Years**  
(21) Appl. No.: **29/782,263**  
(22) Filed: **May 5, 2021**  
(51) **LOC (13) Cl.** ..... **20-03**  
(52) **U.S. Cl.**  
USPC ..... **D20/19**; D20/10  
(58) **Field of Classification Search**  
USPC ..... D14/125, 126, 127, 129, 451; D20/10,  
D20/12, 13, 16, 17, 18, 19, 20, 35, 40,  
D20/41, 42, 43, 99; D6/682.2, 682.4,  
D6/682.6; D21/811, 815, 816, 835  
CPC ..... H04N 5/655; H04N 5/66; H04N 11/00;  
H04N 7/00; G06F 3/1407; G06F 3/14;  
G06F 3/1423; G06F 3/147  
See application file for complete search history.

(56) **References Cited**

U.S. PATENT DOCUMENTS

D434,826 S \* 12/2000 Hsu ..... D21/815  
D473,877 S \* 4/2003 Korpai ..... D6/300  
D487,272 S \* 3/2004 Korpai ..... D6/300  
D487,273 S \* 3/2004 Korpai ..... D6/300  
D487,465 S \* 3/2004 Korpai ..... D6/300  
D488,161 S \* 4/2004 Korpai ..... D6/300  
D511,780 S \* 11/2005 Korpai ..... D14/450  
D557,345 S \* 12/2007 Yates ..... D20/42  
D590,018 S \* 4/2009 Nash ..... D19/113  
D623,228 S \* 9/2010 Hoch ..... D19/113  
D628,199 S \* 11/2010 Yukikado ..... D14/374

D628,913 S \* 12/2010 Cheng ..... D10/65  
D632,346 S \* 2/2011 Hardstaff ..... D21/501  
D670,664 S \* 11/2012 Brown ..... D14/126  
D695,249 S \* 12/2013 Kim ..... D14/138 G  
D712,855 S \* 9/2014 Thompson ..... D14/126  
D730,898 S \* 6/2015 Hwangbo ..... D14/374  
D785,706 S \* 5/2017 Hoch ..... D19/113  
D894,021 S \* 8/2020 Smith ..... D10/50  
D903,803 S \* 12/2020 Tao ..... D21/815  
D918,851 S \* 5/2021 Shim ..... B64D 11/00154  
D14/129  
D919,585 S \* 5/2021 Shim ..... B64D 11/00154  
D14/129  
D928,268 S \* 8/2021 Pan ..... D21/815  
D951,382 S \* 5/2022 Zhou ..... D21/815

\* cited by examiner

*Primary Examiner* — Catherine Ho

(74) *Attorney, Agent, or Firm* — Andrew S. Rapacke

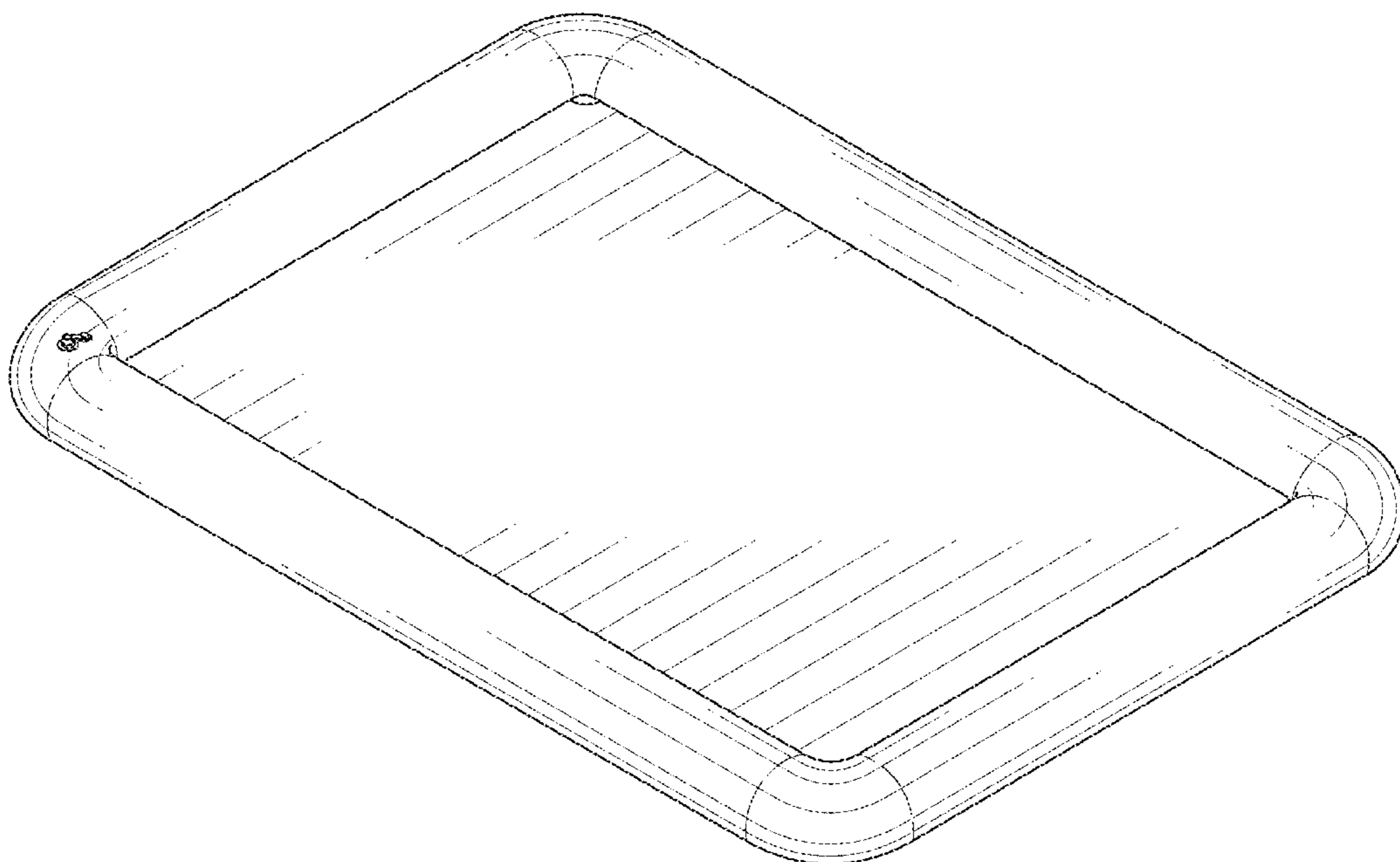
(57) **CLAIM**

The ornamental design for an inflatable sign, as shown and described.

**DESCRIPTION**

FIG. 1 is a perspective view of the inflatable sign, showing the new design;  
FIG. 2 is a front elevational view of the inflatable sign thereof;  
FIG. 3 is a rear elevational view of the inflatable sign thereof;  
FIG. 4 is a left side elevational view of the inflatable sign thereof;  
FIG. 5 is a right side elevational view of the inflatable sign thereof;  
FIG. 6 is a top plan view of the inflatable sign thereof; and,  
FIG. 7 is a bottom plan view of the inflatable sign thereof.

**1 Claim, 3 Drawing Sheets**



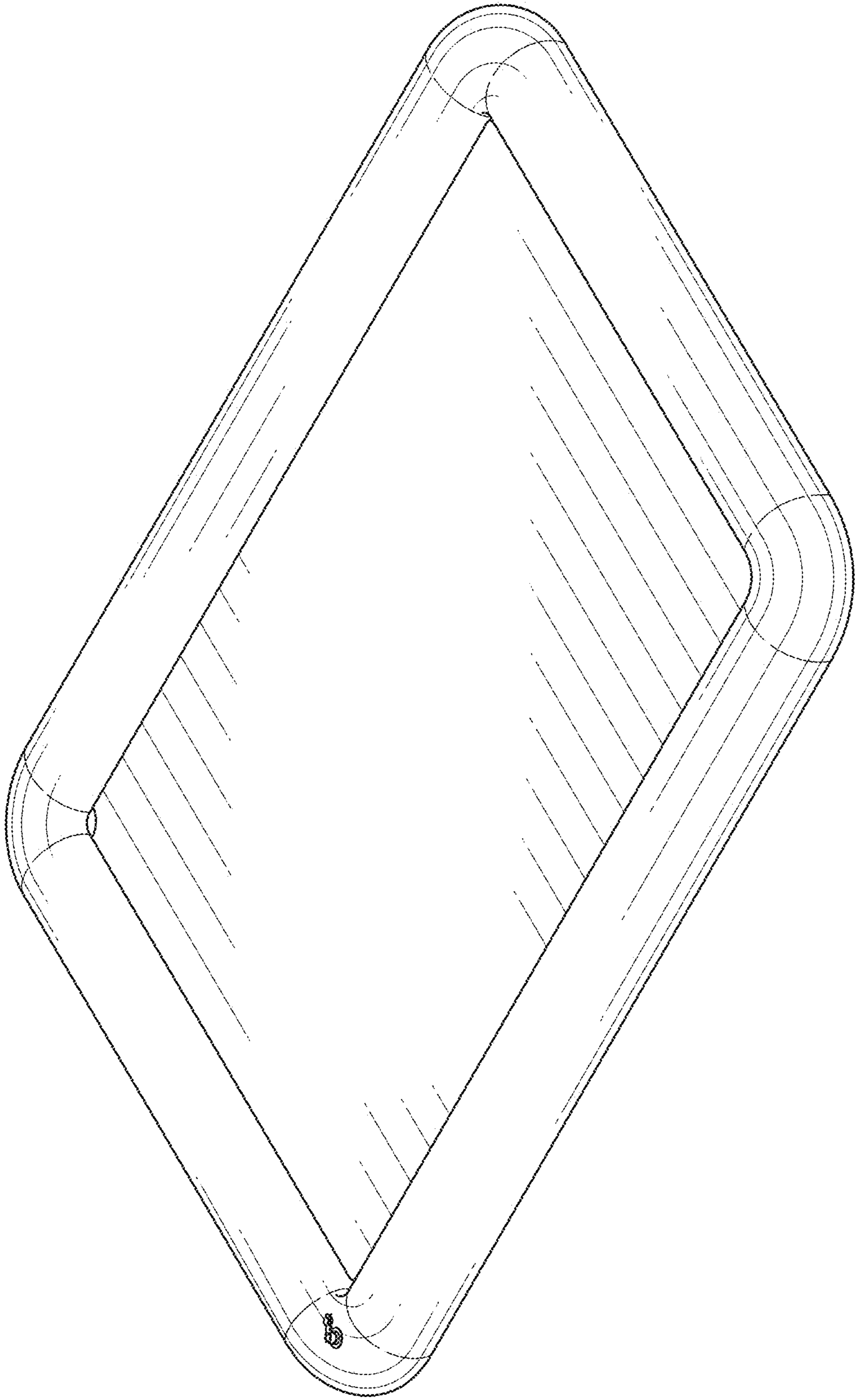
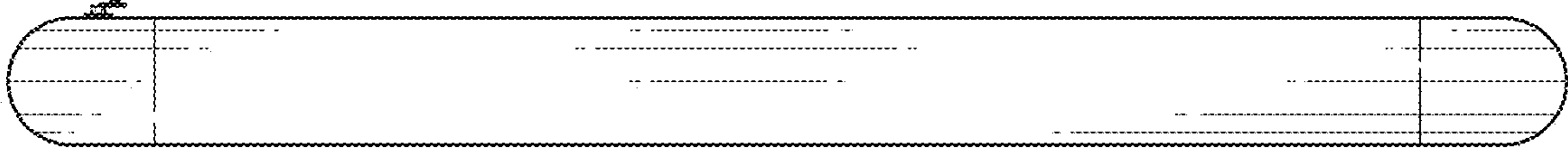
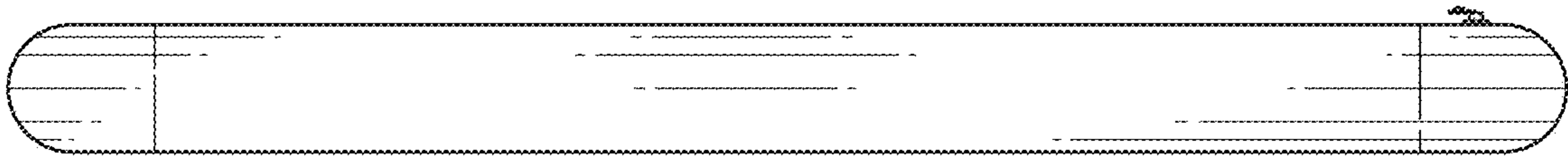


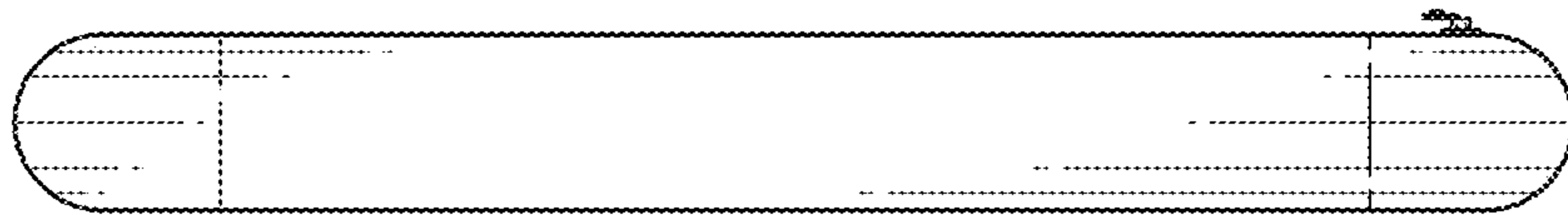
FIG. 1



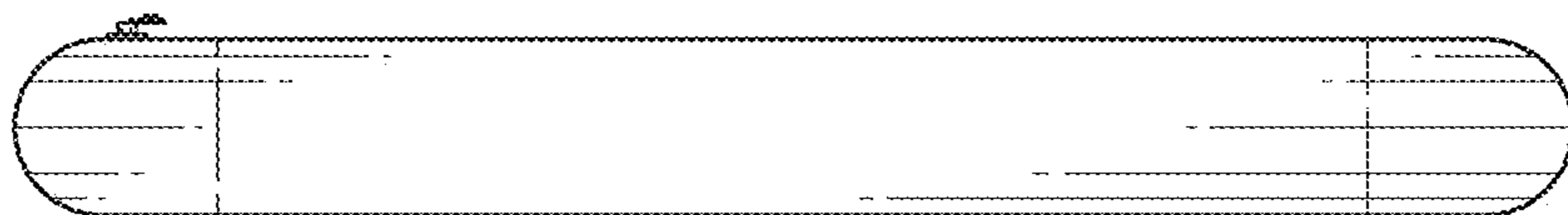
*FIG. 2*



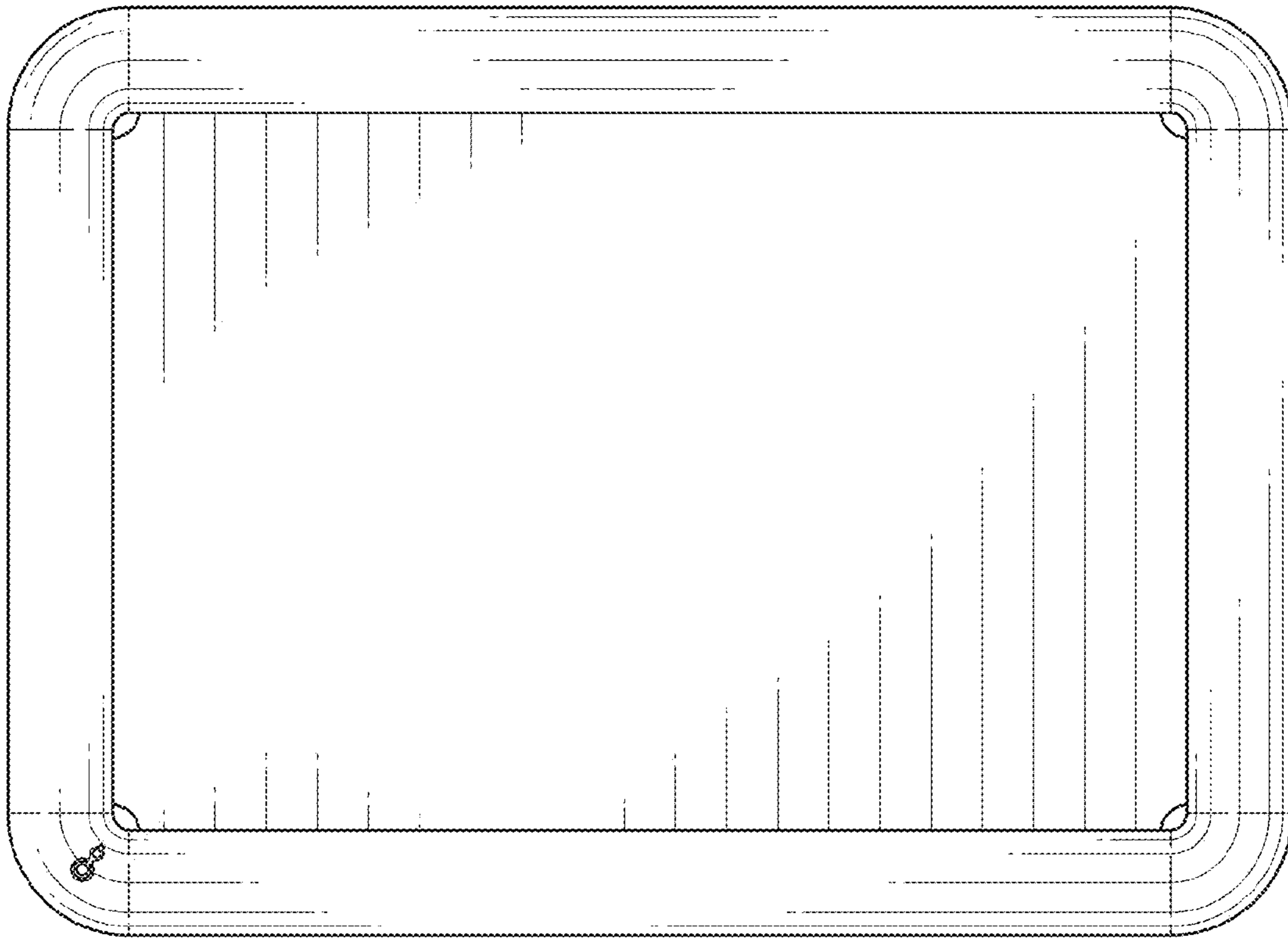
*FIG. 3*



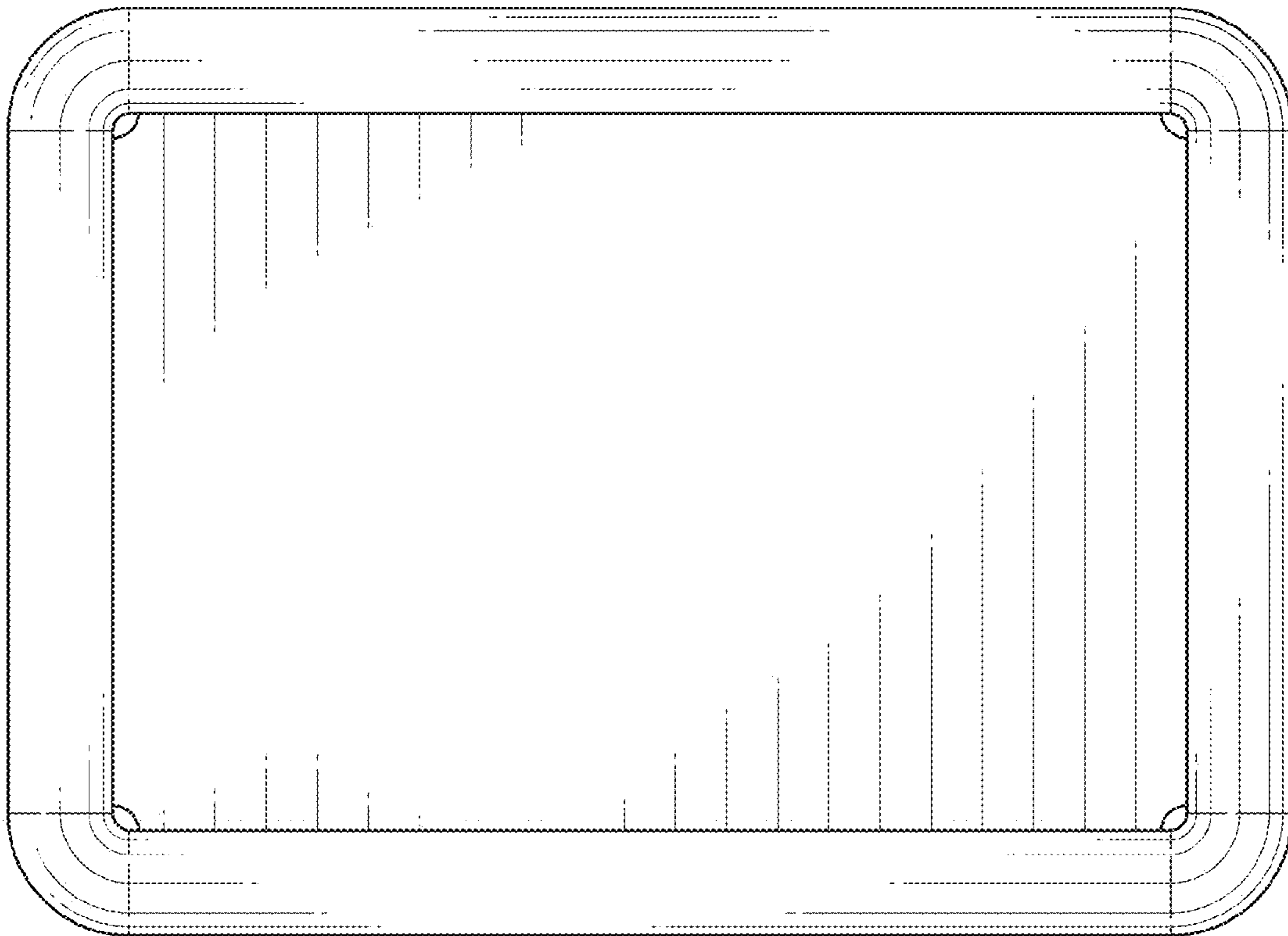
*FIG. 4*



*FIG. 5*



*FIG. 6*



*FIG. 7*