



US00D969913S

(12) **United States Design Patent** (10) **Patent No.:** **US D969,913 S**
Mayhew (45) **Date of Patent:** **** Nov. 15, 2022**

(54) **SHELF**
(71) Applicant: **24/7 Pizza Box, LLC**, Sarasota, FL (US)
(72) Inventor: **Peter Mayhew**, Corona, CA (US)
(73) Assignee: **24/7 Pizza Box, LLC**, Sarasota, FL (US)
(**) Term: **15 Years**
(21) Appl. No.: **29/758,606**
(22) Filed: **Nov. 17, 2020**
(51) **LOC (13) Cl.** **20-01**
(52) **U.S. Cl.**
USPC **D20/8**
(58) **Field of Classification Search**
USPC ... D6/677-678, 682, 682.1, 691, 705, 705.1, D6/567-574; D7/500, 501, 553.6, 554.1, D7/554.2, 590, 600.2; D15/89; D19/92; D8/349, 355, 354, 373, 380; D20/1, 8; D14/300; 108/160; 211/86.01, 87.01, 211/90.01, 126.1, 134, 119.009, 119.011, 211/135, 153
CPC ... A47F 1/00; A47F 1/04; A47B 96/00; A47B 96/02; A47B 96/025
See application file for complete search history.

D775,883 S * 1/2017 Mason D6/705
D808,697 S * 1/2018 Heckler D6/705
D866,663 S * 11/2019 Mäkelä D20/8
10,863,867 B2 * 12/2020 Lopez A47J 47/01
2022/0148361 A1 * 5/2022 Mayhew G07F 17/0078

FOREIGN PATENT DOCUMENTS

IN 285380-0001 * 7/2017

OTHER PUBLICATIONS

Server Rack Shelf. Pyle (online) 11 pgs. Available Jan. 31, 2020. [Retrieved Jul. 22, 2022] <https://www.amazon.com/Circulation-Cantilever-Universal-Black-Pyle-PLRSTN14UX2/dp/B084CZCGFP> (Year: 2020).*

* cited by examiner

Primary Examiner — Marie D. Fast Horse
Assistant Examiner — Jennifer Sierra Yosinski
(74) *Attorney, Agent, or Firm* — Shumaker, Loop & Kendrick, LLP

(57) **CLAIM**

The ornamental design for a shelf, as shown and described.

DESCRIPTION

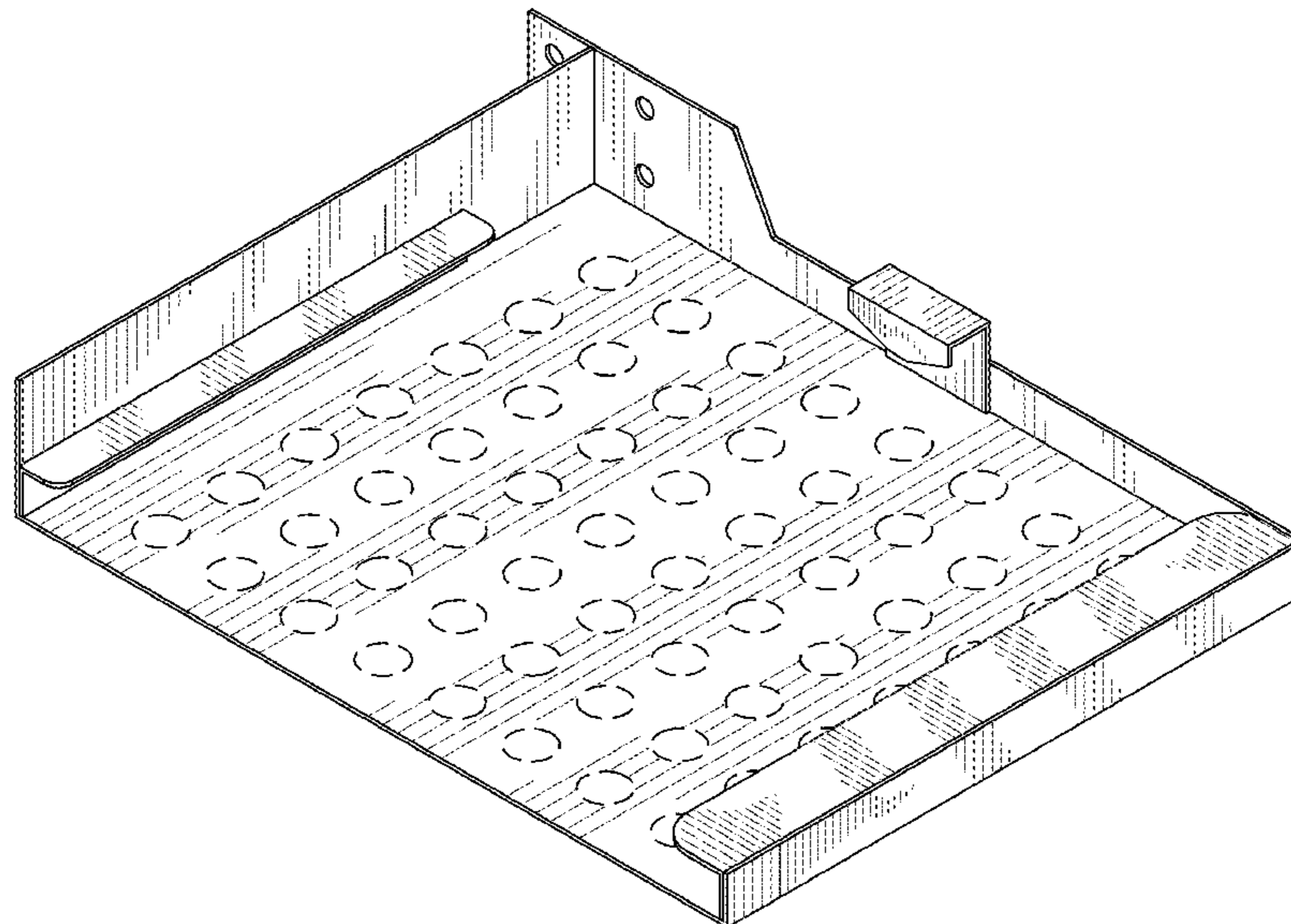
FIG. 1 is a left side perspective view of a shelf showing my new design;
FIG. 2 is a right side perspective view thereof;
FIG. 3 is a bottom perspective view thereof;
FIG. 4 is a top view thereof;
FIG. 5 is a bottom view thereof;
FIG. 6 is a right side view thereof;
FIG. 7 is a left side view thereof;
FIG. 8 is a front view thereof; and,
FIG. 9 is a back view thereof.
The broken lines in the drawings depict portions of the shelf that form no part of claimed design.

1 Claim, 6 Drawing Sheets

(56) **References Cited**

U.S. PATENT DOCUMENTS

D258,857 S * 4/1981 Bukaitz D6/705
D266,772 S * 11/1982 Sayers D19/92
D288,160 S * 2/1987 Maroney D6/705.7
D291,267 S * 8/1987 Canter D6/682.2
D515,315 S * 2/2006 Rader D3/304
D601,654 S * 10/2009 Sykes D22/136
D667,305 S * 9/2012 Kuhn B65D 1/36
D687,294 S * 8/2013 Green D9/455
D9/416



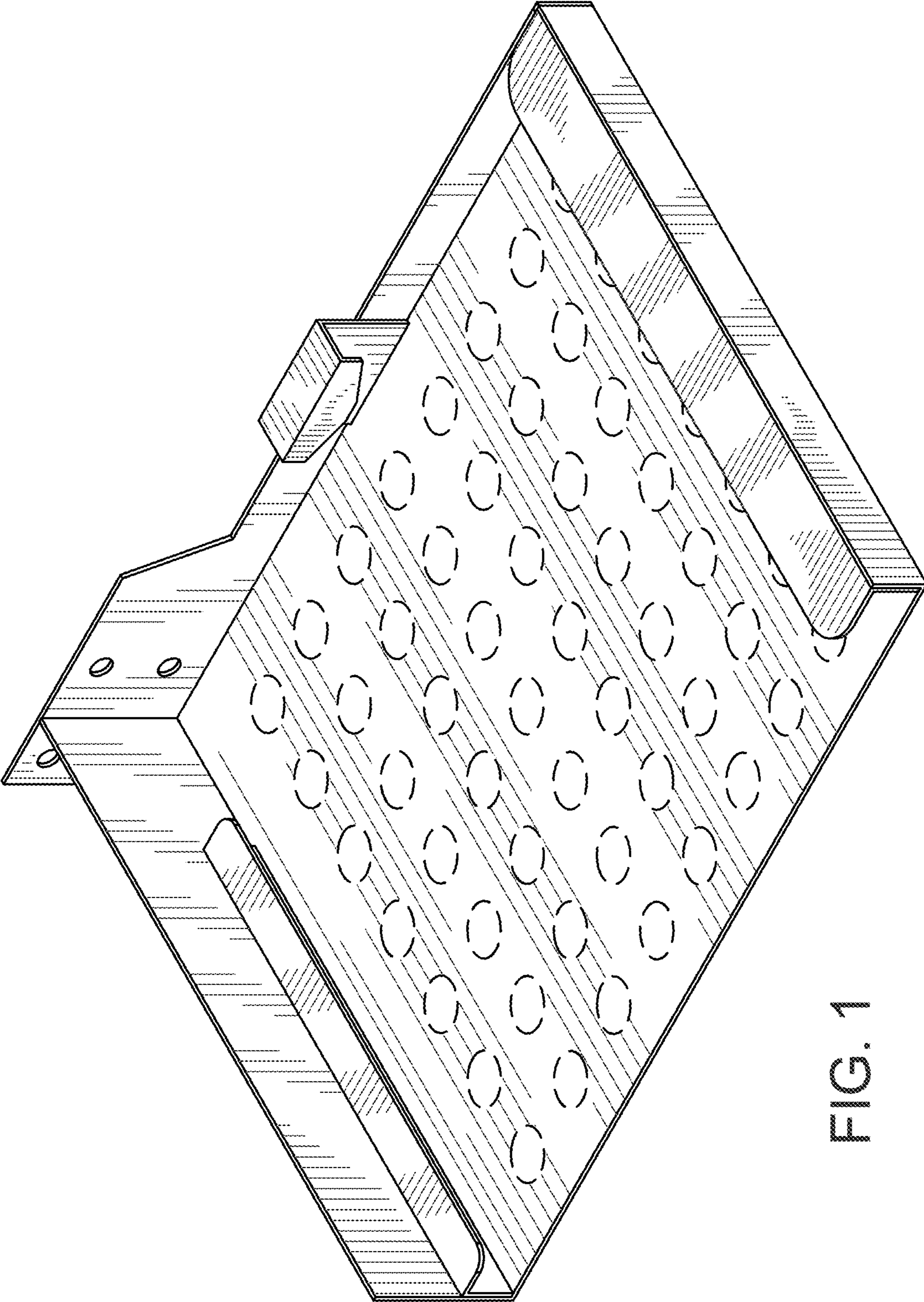


FIG. 1

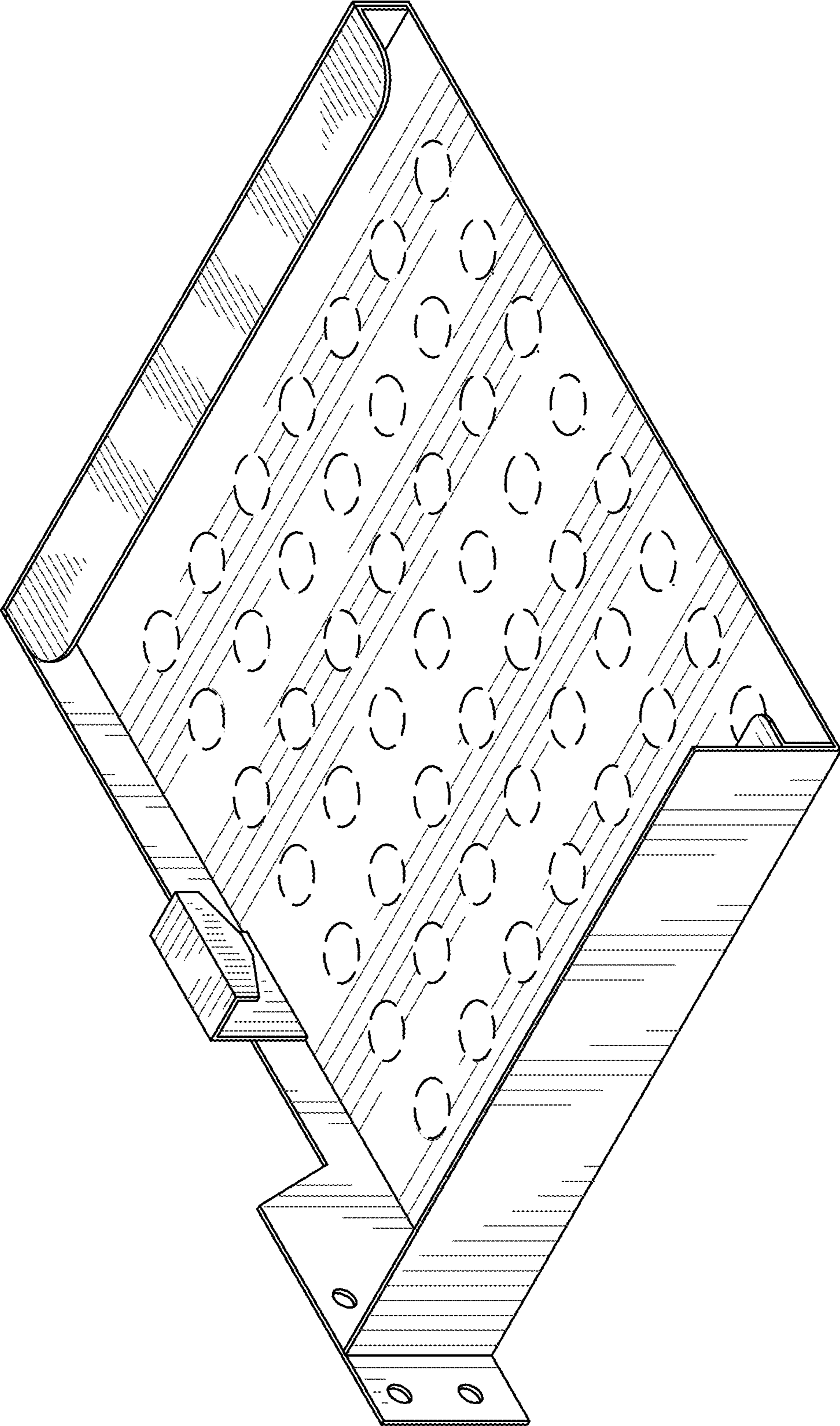


FIG. 2

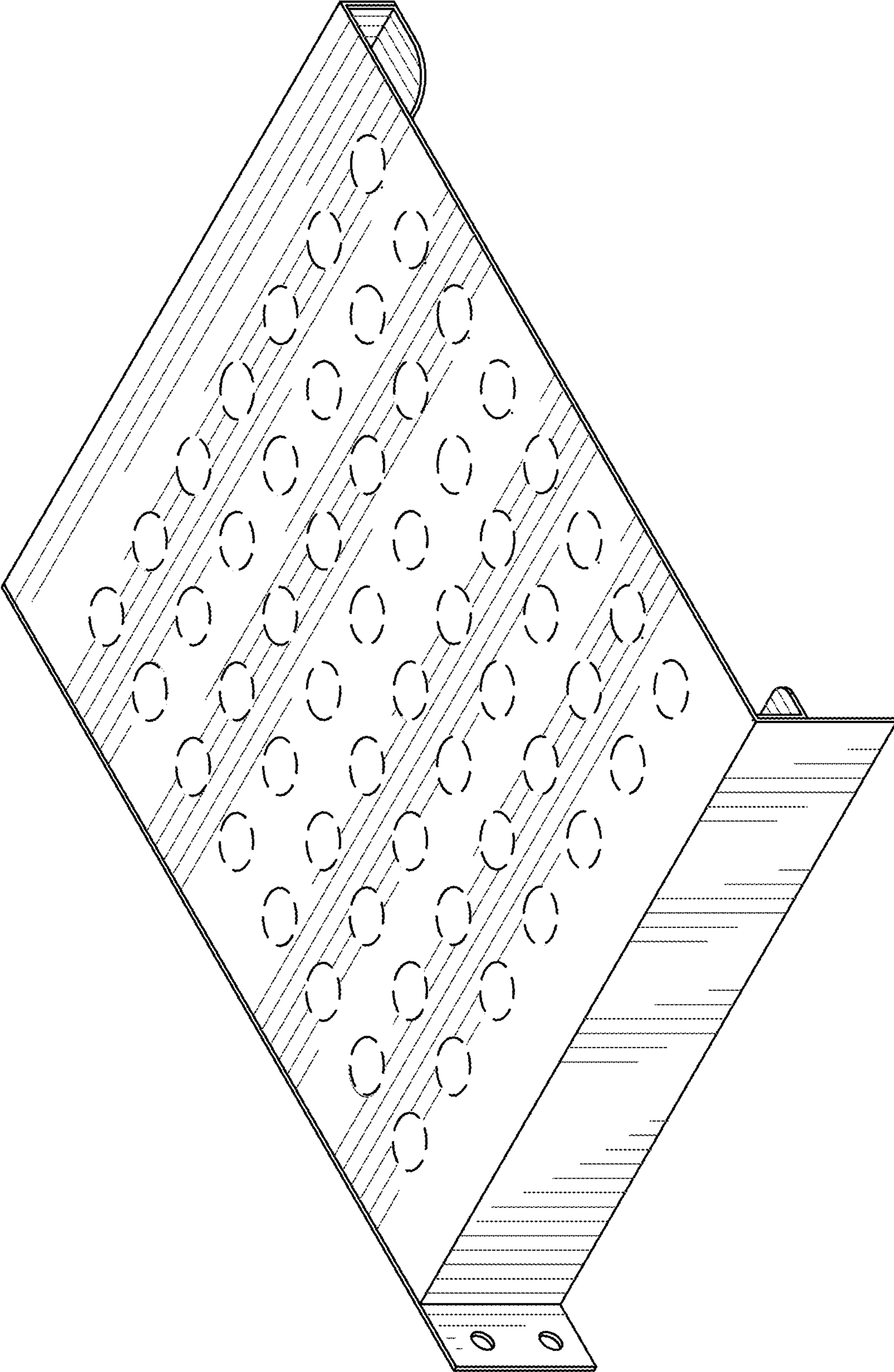


FIG. 3

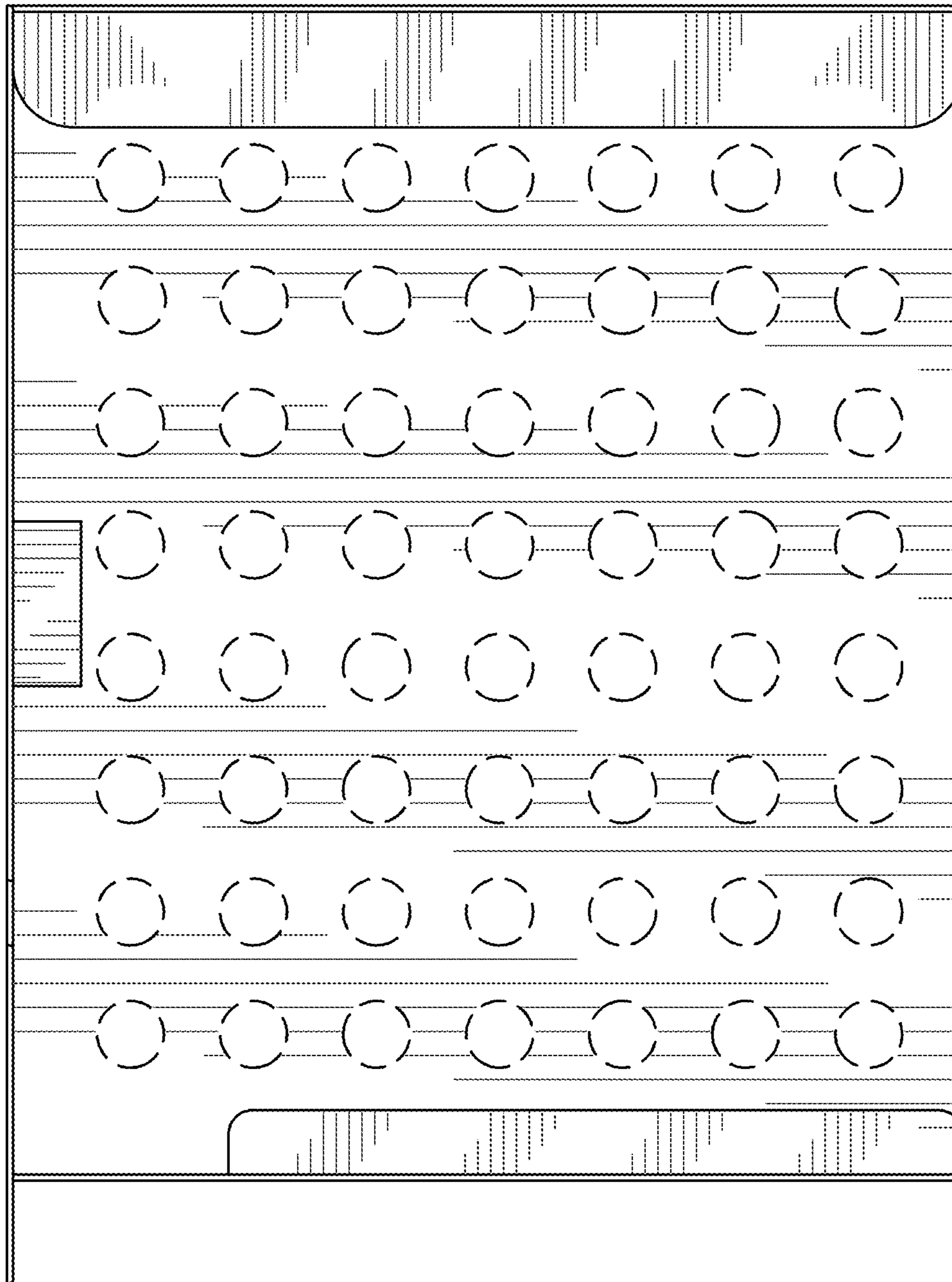


FIG. 4

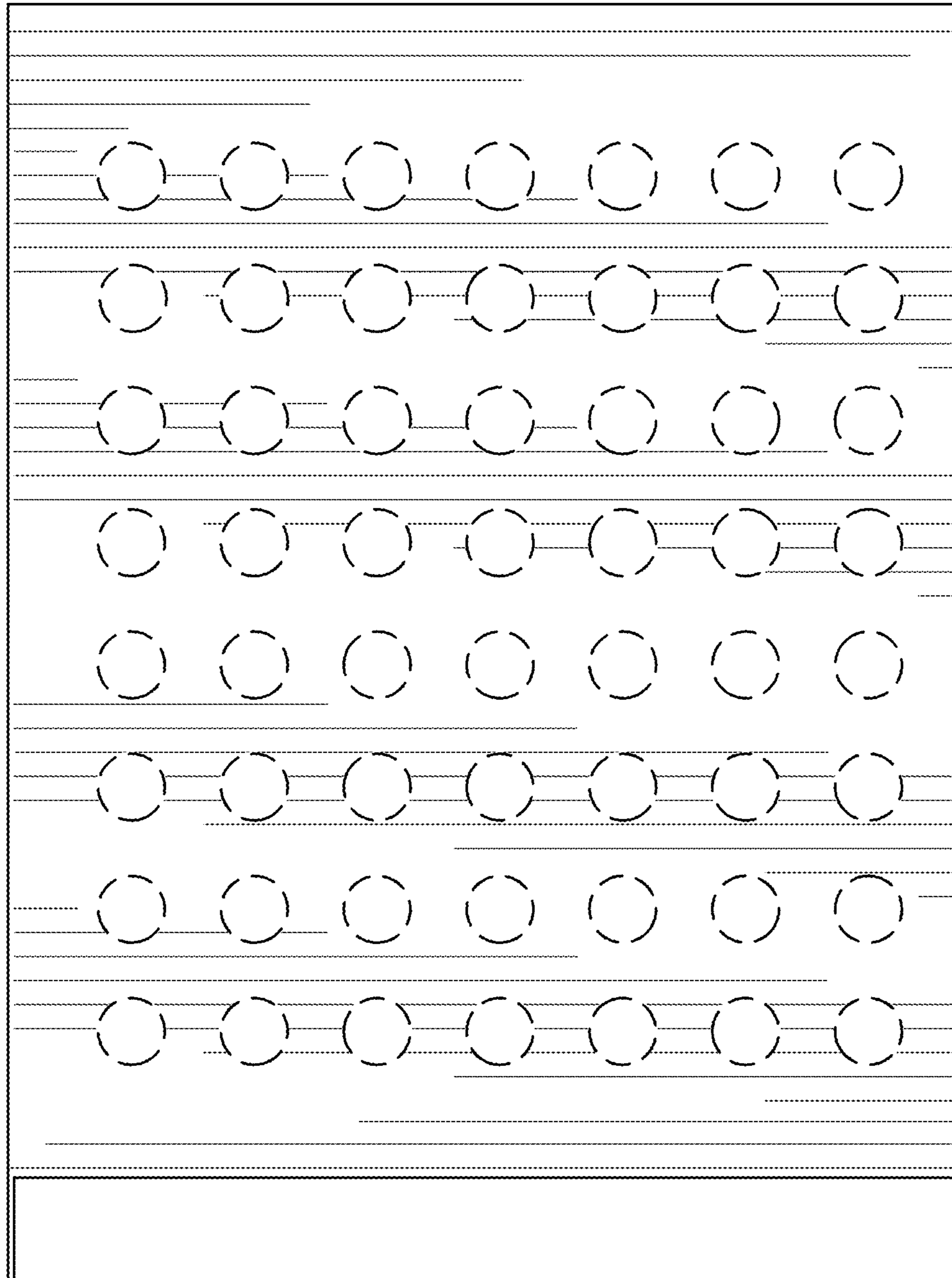


FIG. 5

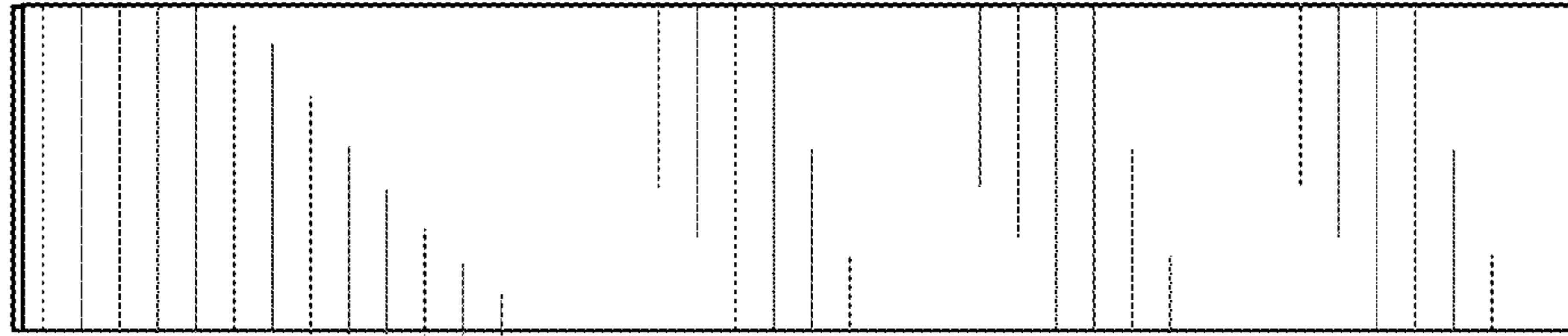


FIG. 6

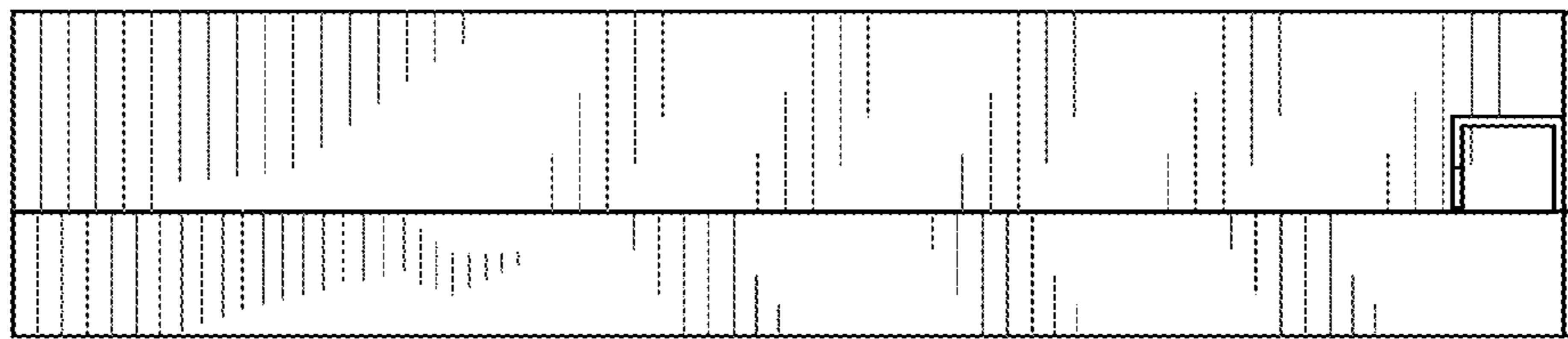


FIG. 7

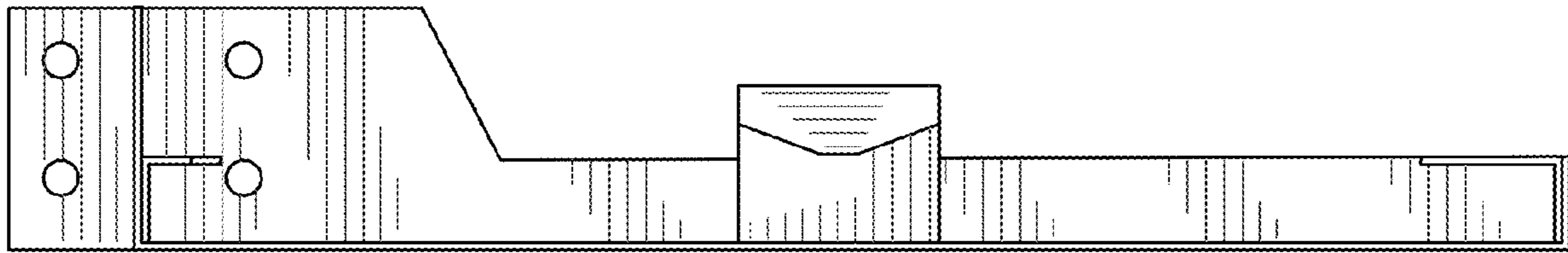


FIG. 8



FIG. 9