

US00D969910S

(12) **United States Design Patent**
Chong Gillis

(10) **Patent No.:** **US D969,910 S**

(45) **Date of Patent:** **** Nov. 15, 2022**

(54) **DESKTOP ORGANIZER**

(71) Applicant: **Alicia Chong Gillis**, Denver, CO (US)

(72) Inventor: **Alicia Chong Gillis**, Denver, CO (US)

(**) Term: **15 Years**

(21) Appl. No.: **29/779,883**

(22) Filed: **Apr. 21, 2021**

(51) **LOC (13) Cl.** **19-02**

(52) **U.S. Cl.**
USPC **D19/90**

(58) **Field of Classification Search**
USPC D19/92, 75-91, 99, 135; D3/206, 304,
D3/306, 310, 315; D6/675.5, 683, 683.1;
D7/631, 637-641; D9/427, 432, 611;
D14/253

CPC .. B43M 99/00; B43M 99/001; B43M 99/003;
B43M 99/006; B43M 99/007; B43M
99/008; B43M 99/009; B42D 3/12; B42D
3/16; B42D 3/18; B43K 23/001; B43K
23/002; A47B 55/00; A47B 63/00

See application file for complete search history.

(56) **References Cited**

U.S. PATENT DOCUMENTS

D228,209 S *	8/1973	Woods	D19/92
4,403,699 A	9/1983	Hansen		
D328,472 S	8/1992	Ancona		
D357,356 S	4/1995	Muresan		
D450,453 S	11/2001	Andujar		
D473,592 S	4/2003	Hardy		
6,591,990 B2	7/2003	Lanman		
D665,844 S	8/2012	Chuang		
D689,938 S	9/2013	Hu		
D692,488 S	10/2013	Hu		
D719,610 S	12/2014	Tsai		
D756,458 S *	5/2016	Tsai	D19/90
D758,488 S *	6/2016	Tsai	D19/92
D776,196 S *	1/2017	Tsai	D19/90

D776,756 S	1/2017	Tsai		
D780,262 S *	2/2017	Tsai	D19/90
D841,091 S *	2/2019	Tuang	D19/92
D841,734 S *	2/2019	Tuang	D19/90
D856,420 S	8/2019	Tsai		
D857,094 S *	8/2019	Tsai	D19/90
D920,675 S *	6/2021	Shu	D3/306
D923,336 S *	6/2021	Zhai	D3/306
D935,524 S *	11/2021	Liu	D19/90

(Continued)

FOREIGN PATENT DOCUMENTS

CN 306750331 * 8/2021

OTHER PUBLICATIONS

Black Workspace Desk Organizer posted by Blue Monaco posted date Nov. 1, 2020, © Amazon, [online], [site visited Jul. 15, 2022]. Available from Internet, <https://www.amazon.com/Blu-Monaco-Workspace-Organizer-Accessories> (Year: 2020).*

(Continued)

Primary Examiner — Garth Rademaker

Assistant Examiner — Laura H Yu

(74) *Attorney, Agent, or Firm* — Goldstein Law Offices, P.C.

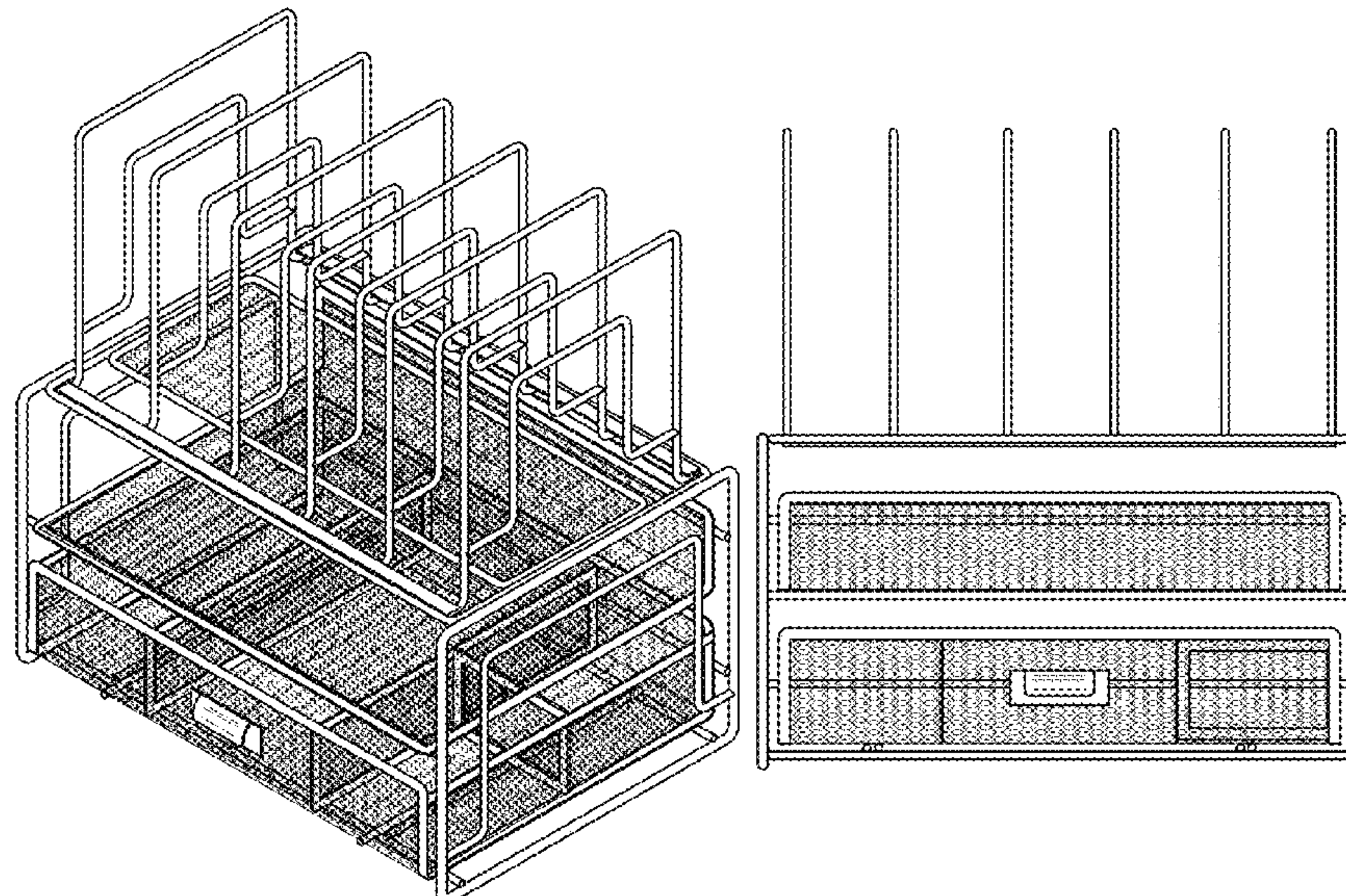
(57) **CLAIM**

The ornamental design for a desktop organizer, as shown and described.

DESCRIPTION

FIG. 1 is a perspective view of the desktop organizer. FIG. 2 is a front elevational view of the desktop organizer. FIG. 3 is a rear elevational view thereof. FIG. 4 is a top plan view thereof. FIG. 5 is a bottom plan view thereof. FIG. 6 is a right side elevational view thereof; and, FIG. 7 is a left side elevational view thereof.

1 Claim, 4 Drawing Sheets



(56)

References Cited

U.S. PATENT DOCUMENTS

2007/0272629 A1 11/2007 Spirer
2015/0335149 A1 11/2015 Vickers

OTHER PUBLICATIONS

Mesh Desk Organizer posted by Deco Bros posted date May 25, 2014, © Amazon, [online], [site visited Jul. 15, 2022]. Available from Internet, <https://www.amazon.com/DecoBros-Organizer-Double-Upright-Sections> (Year: 2014).*

Desk Organizer with Drawer posted by Beiz posted date Jun. 21, 2020, © Amazon, [online], [site visited Jul. 15, 2022]. Available from Internet, https://www.amazon.com/Organizer-Organizers-Classroom-Workspace-Beiz/dp/B08BKHQFR9?ref_ast_sto_dp&th=1&pvc=1 (Year: 2020).*

* cited by examiner

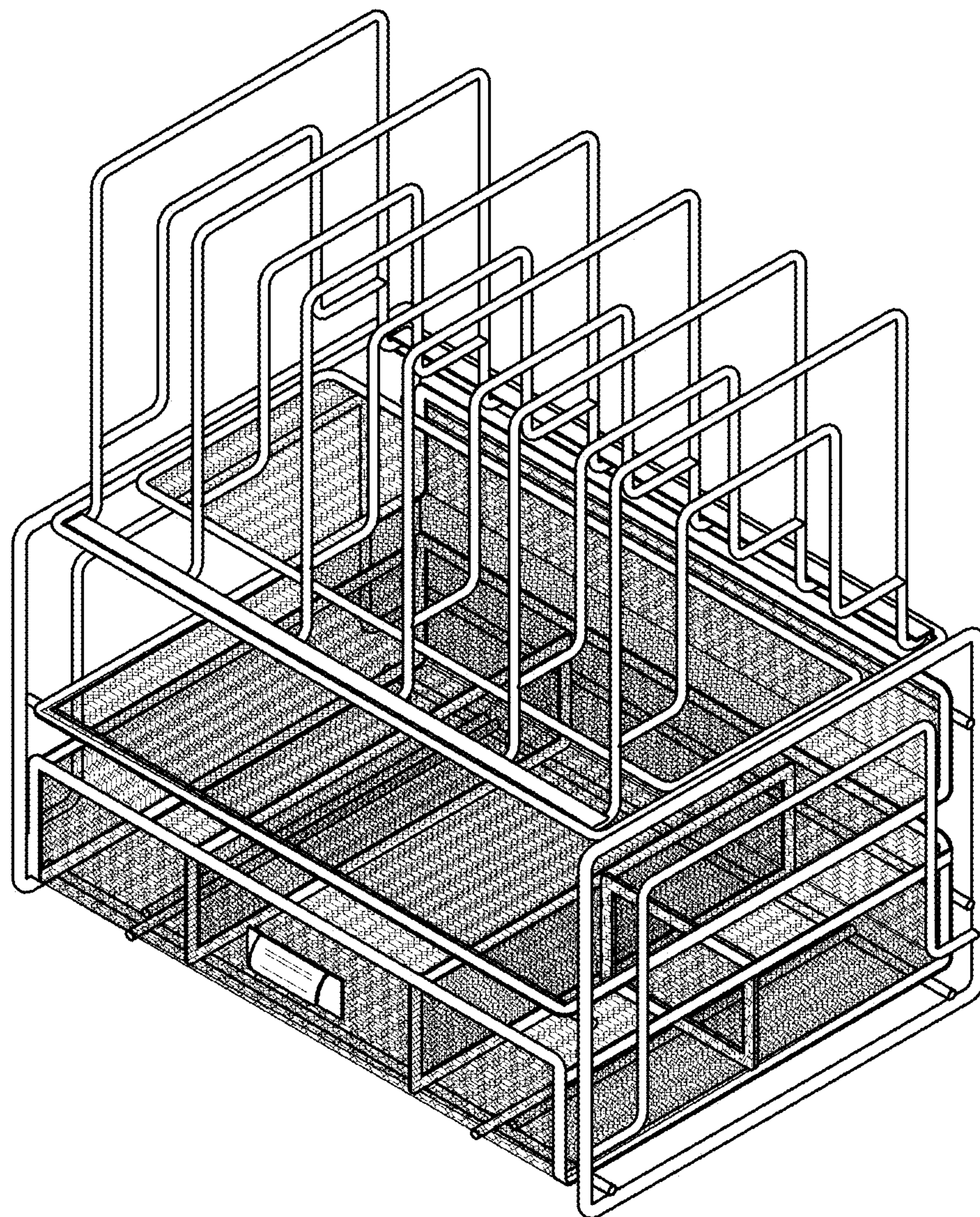


FIG. 1

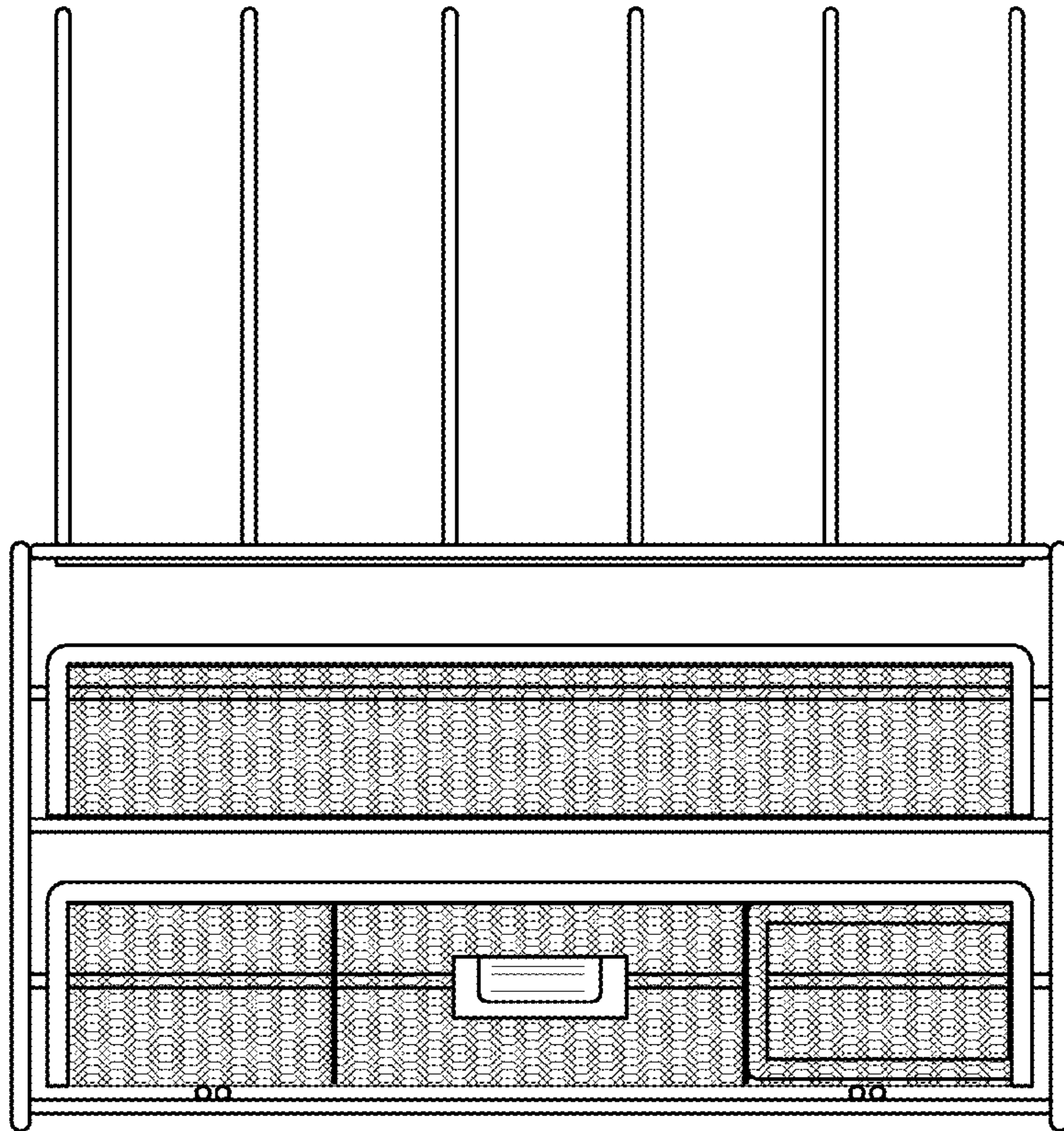


FIG. 2

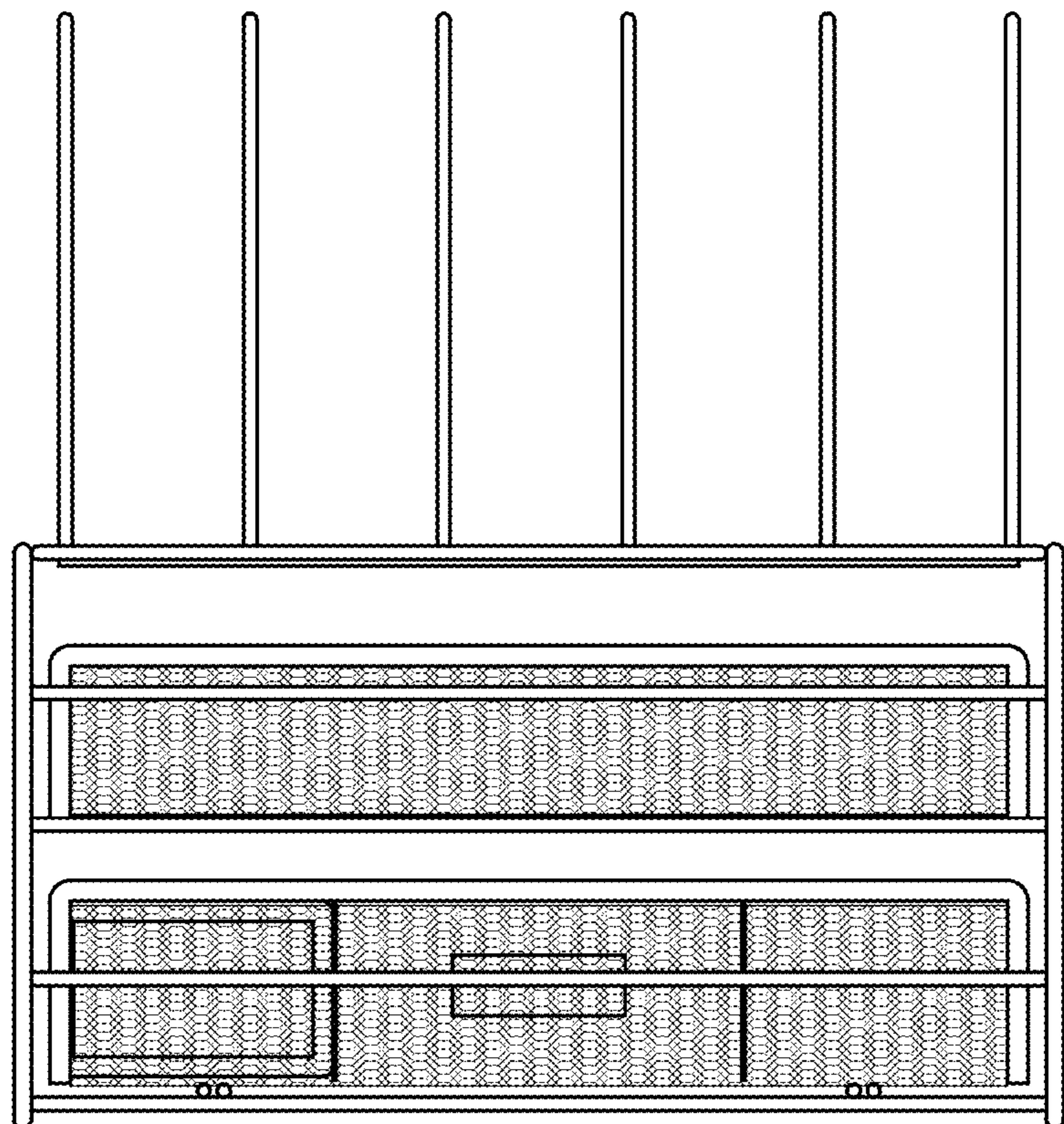


FIG. 3

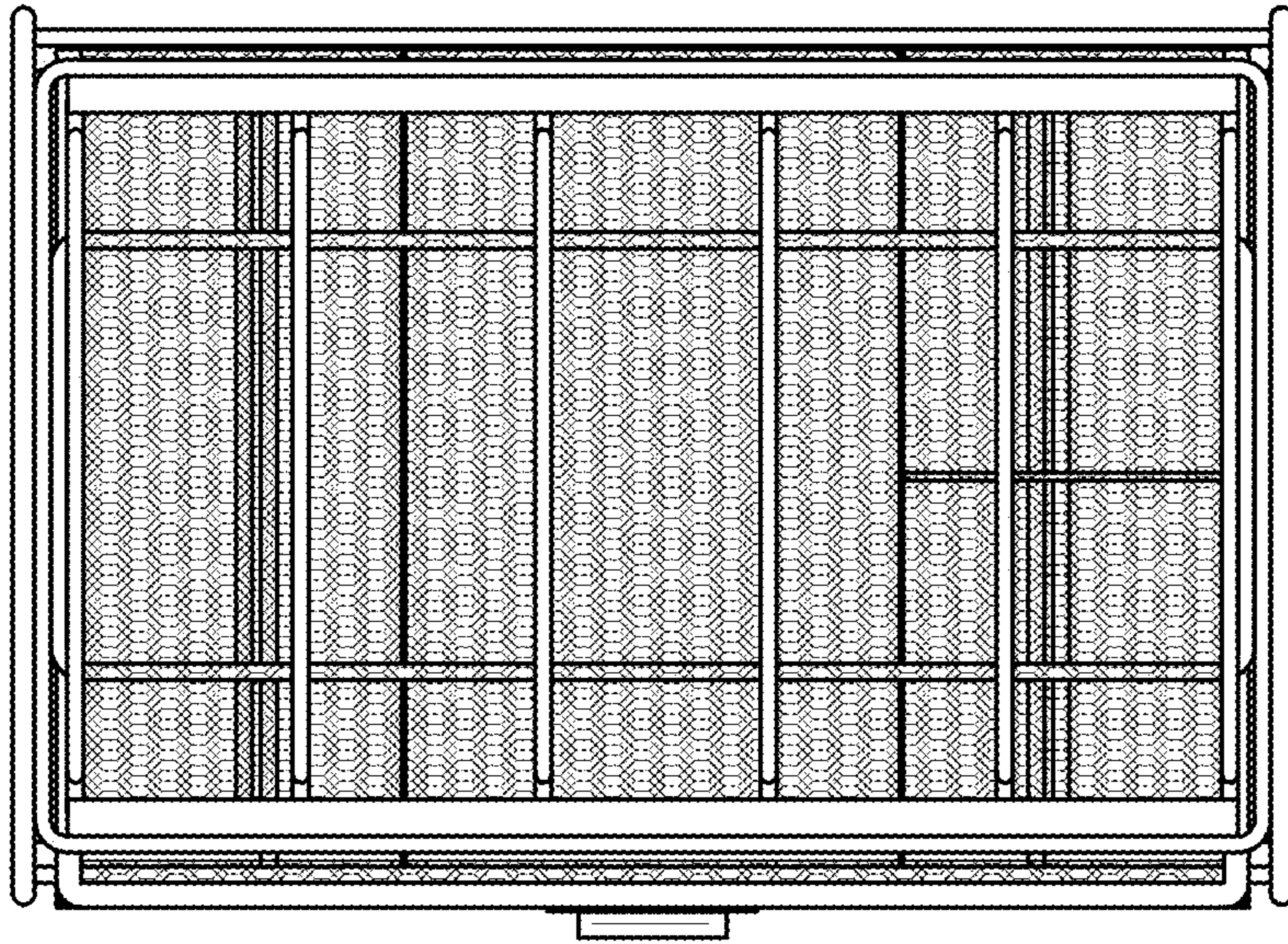


FIG. 4

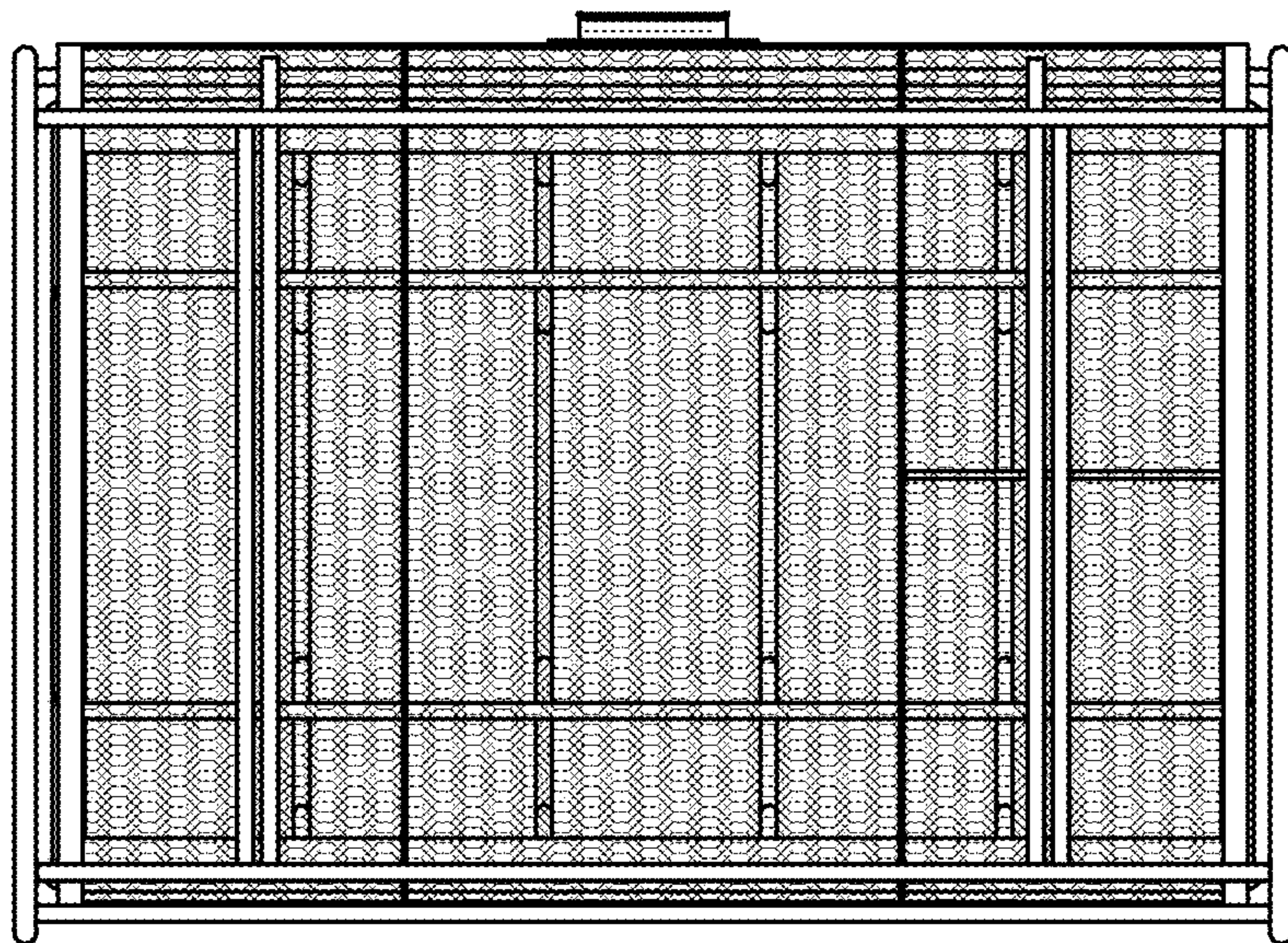


FIG. 5

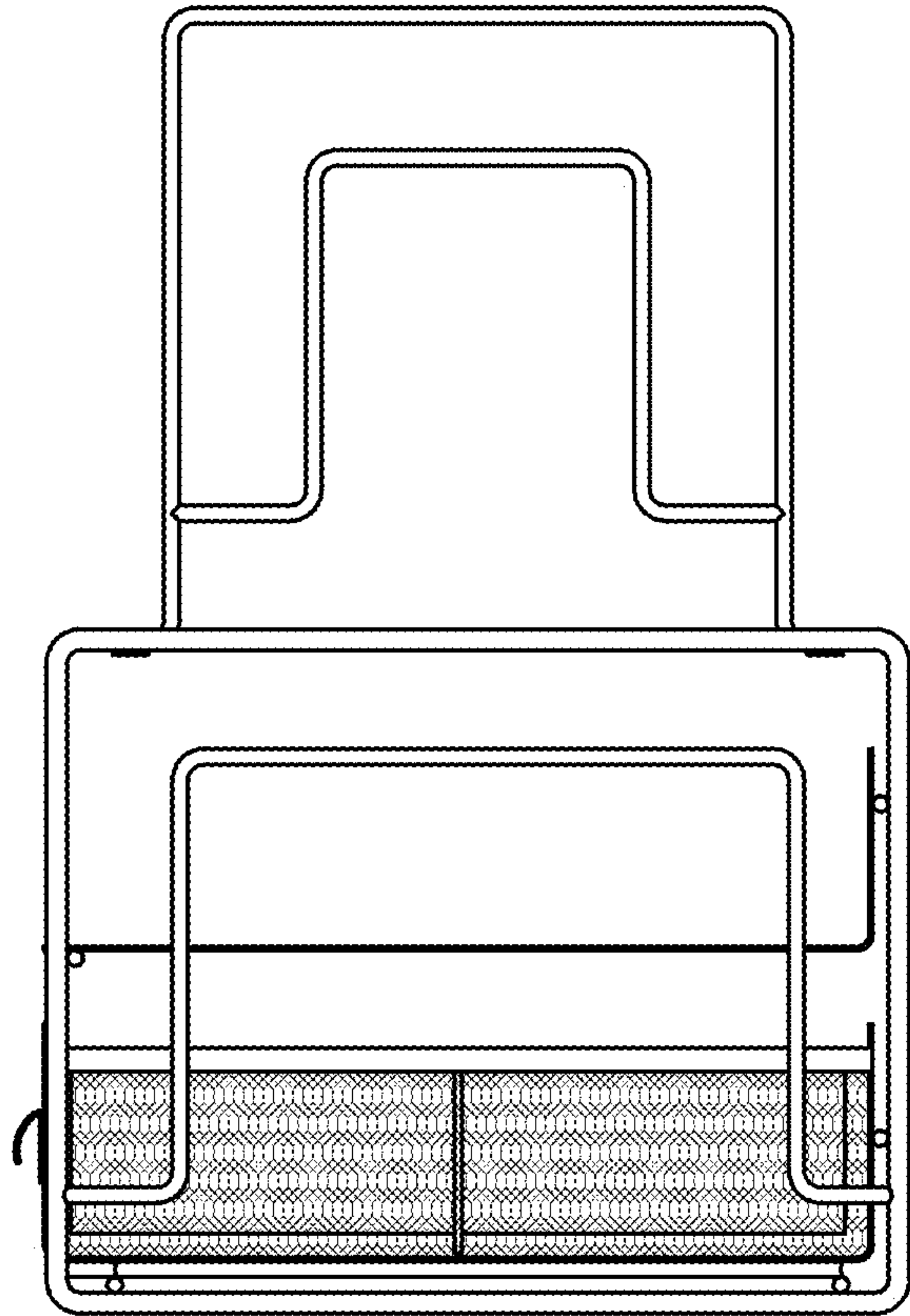


FIG. 6

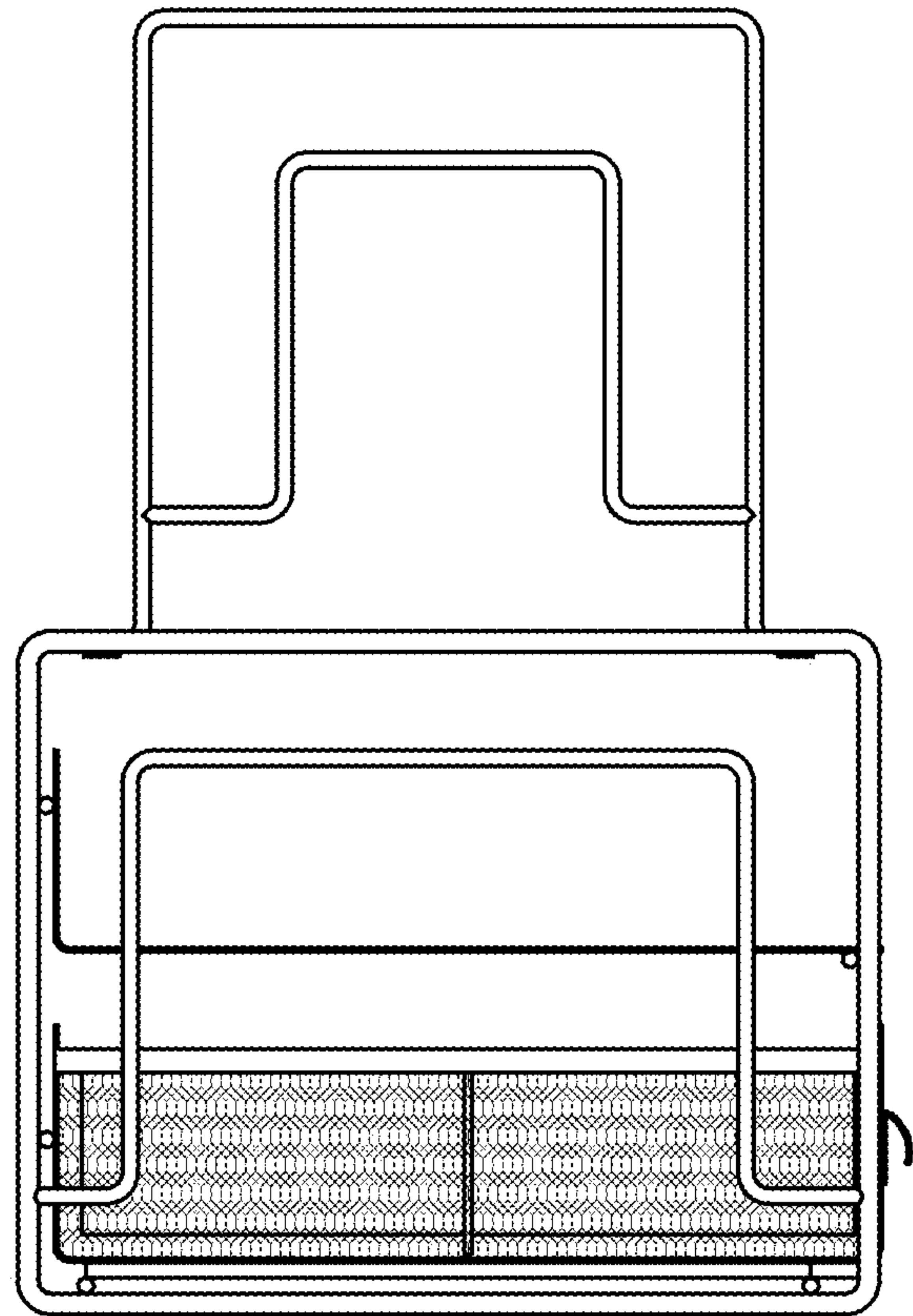


FIG. 7