



US00D969909S

(12) **United States Design Patent**  
**Cran et al.**

(10) **Patent No.:** **US D969,909 S**

(45) **Date of Patent:** **\*\* Nov. 15, 2022**

(54) **GLUE DEVICE**

(71) Applicant: **MAKE GREAT SALES LIMITED,**  
Wan Chai (HK)

(72) Inventors: **Bruce Peter Cran,** Ho Chi Minh (VN);  
**Kin Choi Lee,** Wanchai (HK)

(73) Assignee: **Make Great Sales Limited,** Hong  
Kong (HK)

(\*\*) Term: **15 Years**

(21) Appl. No.: **29/741,833**

(22) Filed: **Jul. 16, 2020**

(51) **LOC (13) Cl.** ..... **19-99**

(52) **U.S. Cl.**  
USPC ..... **D19/66**

(58) **Field of Classification Search**  
USPC .... D19/66, 65-71, 75, 77, 85, 99, 100, 117,  
D19/149, 161, 163, 901, 902; D9/504,  
D9/558, 573, 574, 723, 726, 727;  
D24/114, 130

CPC ..... B65H 35/0026; B65H 35/0033; B65H  
35/0073; B65H 37/005; B65H 37/007;  
B05C 17/005

See application file for complete search history.

(56) **References Cited**

**U.S. PATENT DOCUMENTS**

D258,454 S *	3/1981	Echevarria	.....	D19/149
4,642,102 A *	2/1987	Ohmori	.....	A61M 5/3158 604/220
D300,349 S *	3/1989	Ennis, III	.....	D24/114
D321,759 S *	11/1991	Buswell	.....	D24/130
D323,031 S *	1/1992	Ahlstrand	.....	D24/114
D452,529 S *	12/2001	Tsuchida	.....	D19/66
D461,502 S *	8/2002	Horie	.....	D19/66

D461,503 S *	8/2002	Horie	.....	D19/66
D485,577 S *	1/2004	Lord	.....	D19/66
6,736,799 B1 *	5/2004	Erbe	.....	A61L 27/54 623/23.61
D492,722 S *	7/2004	Oka	.....	D19/173
D552,773 S *	10/2007	Greenberg	.....	D26/37
D650,903 S *	12/2011	Kosinski	.....	D24/130
D669,679 S *	10/2012	Goldstein	.....	D3/208
8,454,564 B2 *	6/2013	Deppisch	.....	A61M 25/0097 604/110
D708,260 S *	7/2014	Mills	.....	D19/149
D727,422 S *	4/2015	Maiwald	.....	D19/66
D785,162 S *	4/2017	Swisher	.....	D24/114
D804,651 S *	12/2017	Loonan	.....	D24/114
D830,543 S *	10/2018	Walker	.....	D24/114
D886,987 S *	6/2020	Kaye	.....	D24/114

\* cited by examiner

*Primary Examiner* — Garth Rademaker

*Assistant Examiner* — Laura H Yu

(74) *Attorney, Agent, or Firm* — Onello & Mello, LLP

(57) **CLAIM**

The ornamental design for a glue device, as shown and described.

**DESCRIPTION**

FIG. 1 is a perspective view of a glue device, in accordance with our design;

FIG. 2 is front view of the glue device of FIG. 1;

FIG. 3 is a rear view of the glue device of FIG. 1;

FIG. 4 is a left-side view of the glue device of FIG. 1;

FIG. 5 is a right-side view of the glue device of FIG. 1;

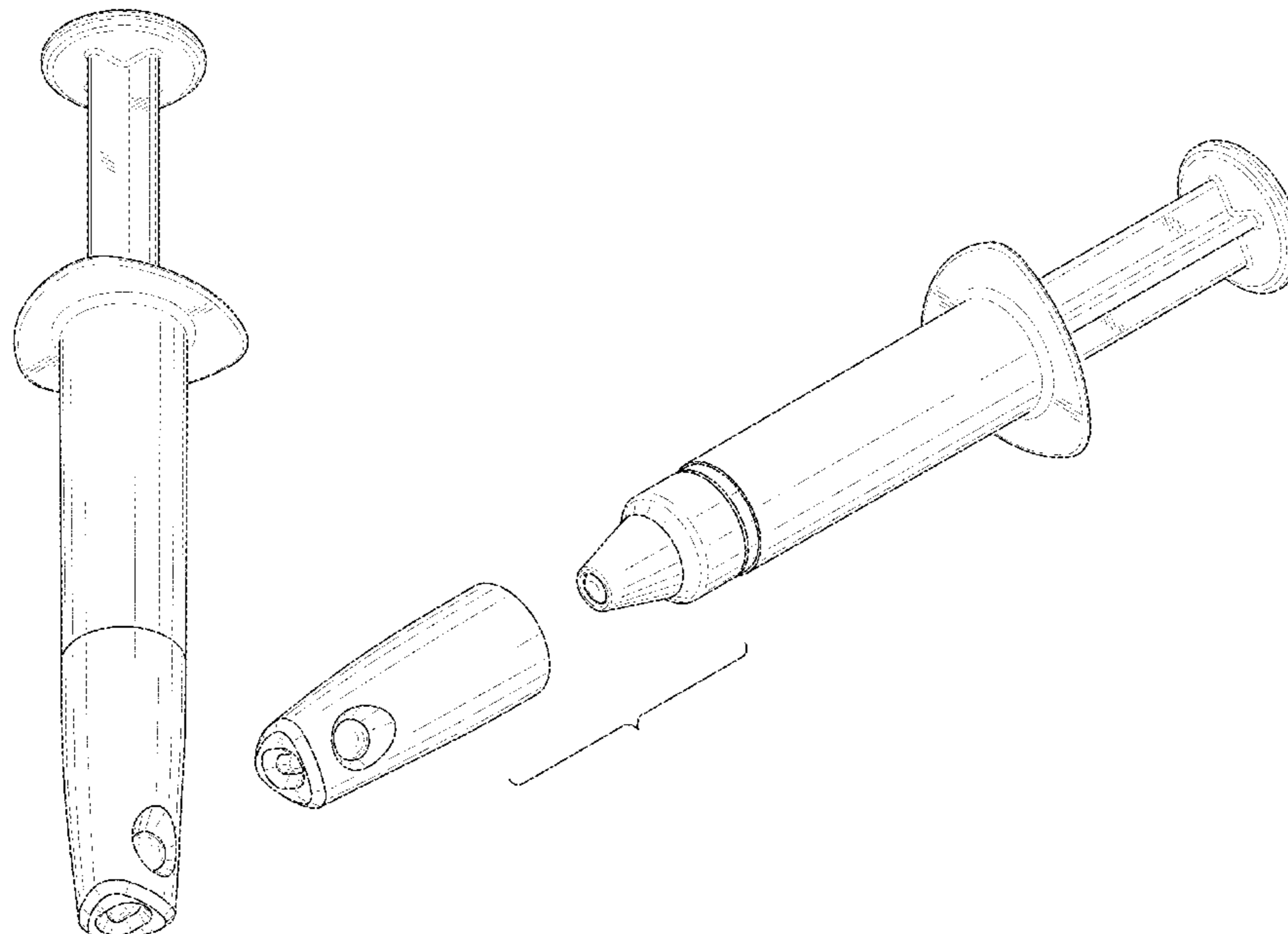
FIG. 6 is a top view of the glue device of FIG. 1;

FIG. 7 is a bottom view of the glue device of FIG. 1;

FIG. 8 is an alternate configuration of the glue device of FIG. 1, shown disassembled; and,

FIG. 9 is an exploded view of the glue device of FIG. 1.

**1 Claim, 6 Drawing Sheets**



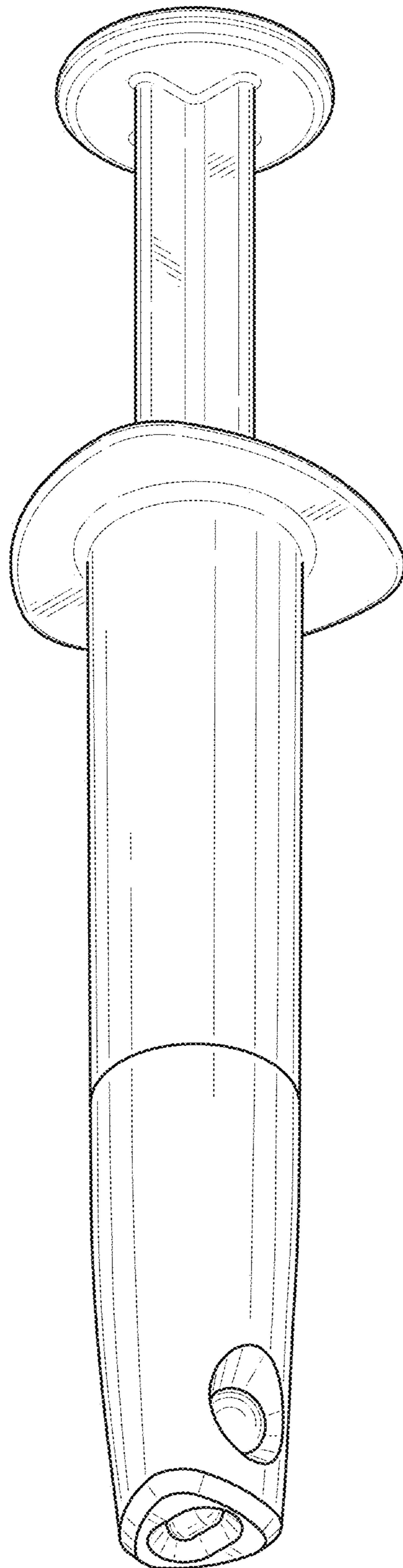


FIG. 1

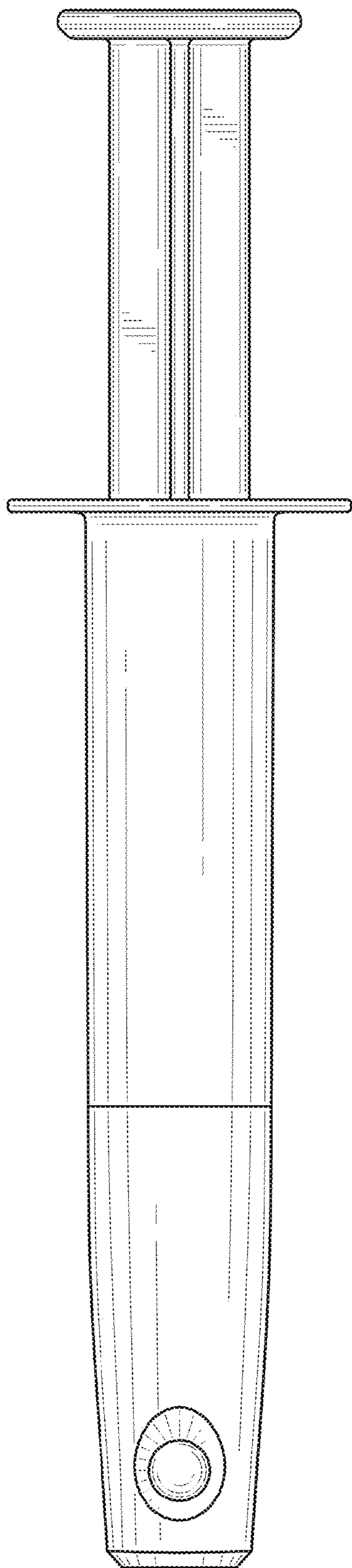


FIG. 2

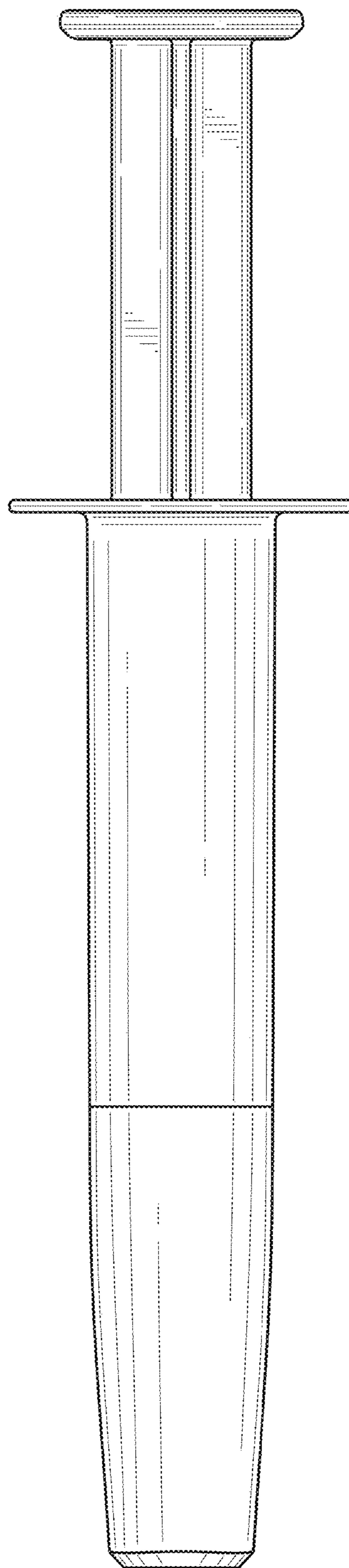


FIG. 3

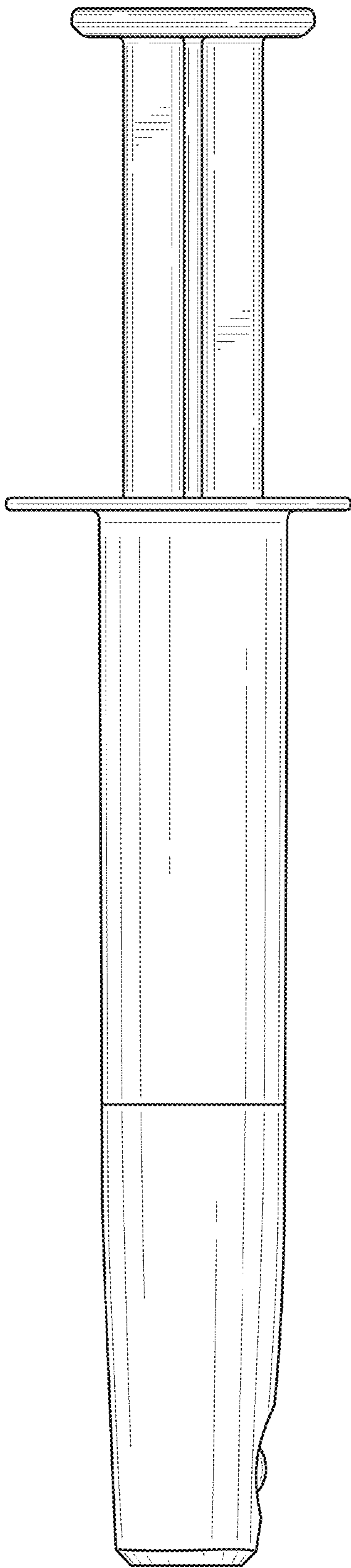


FIG. 4

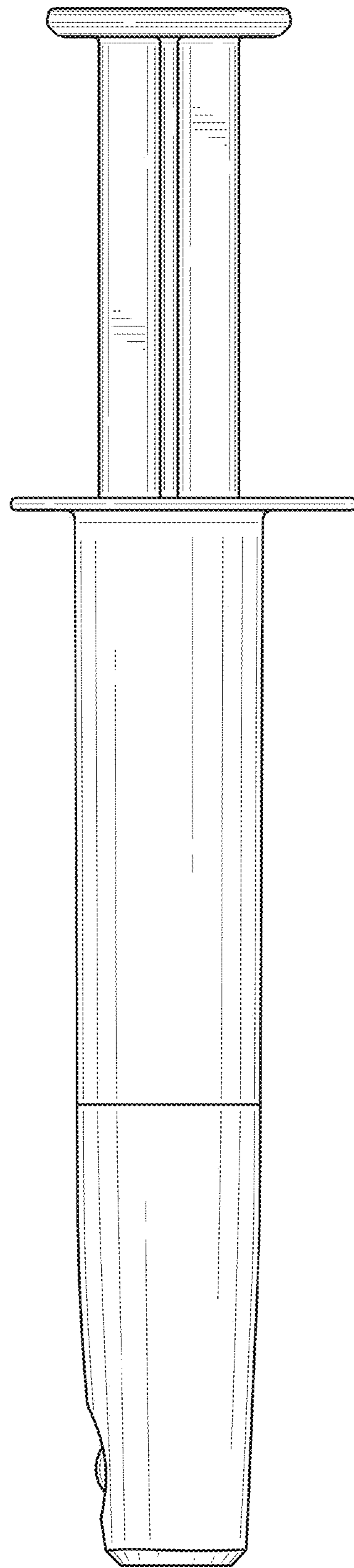


FIG. 5

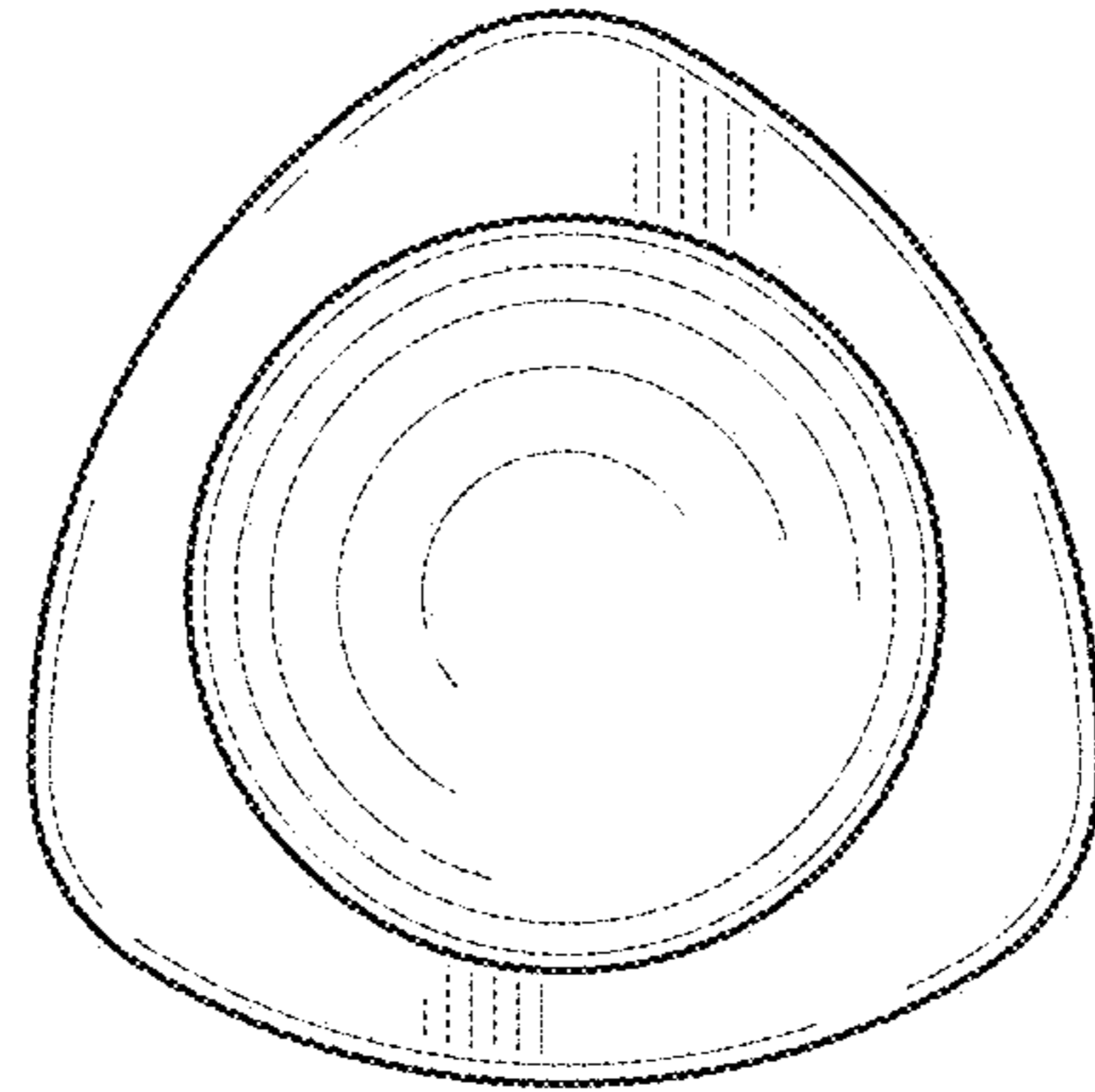


FIG. 6

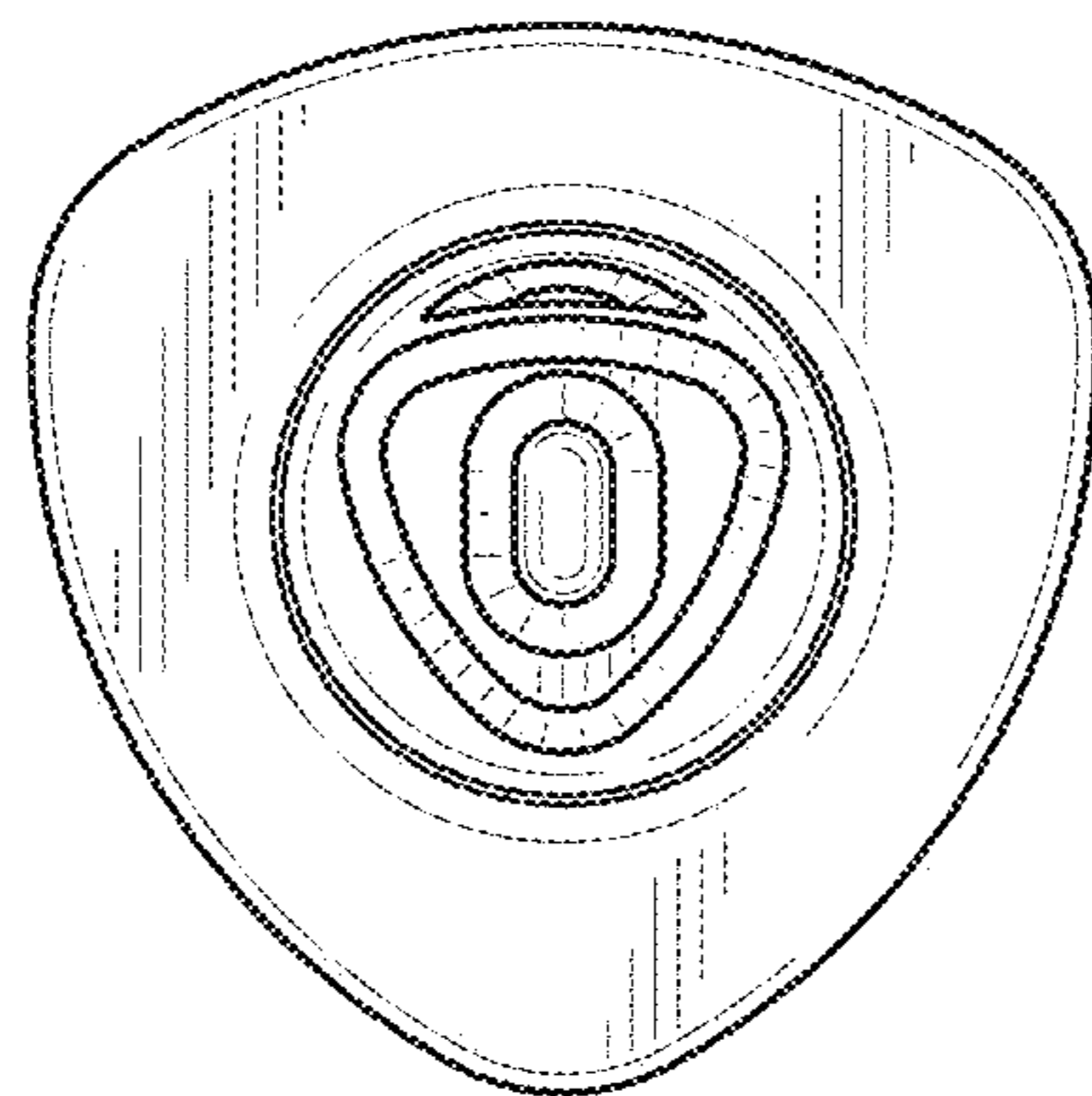


FIG. 7

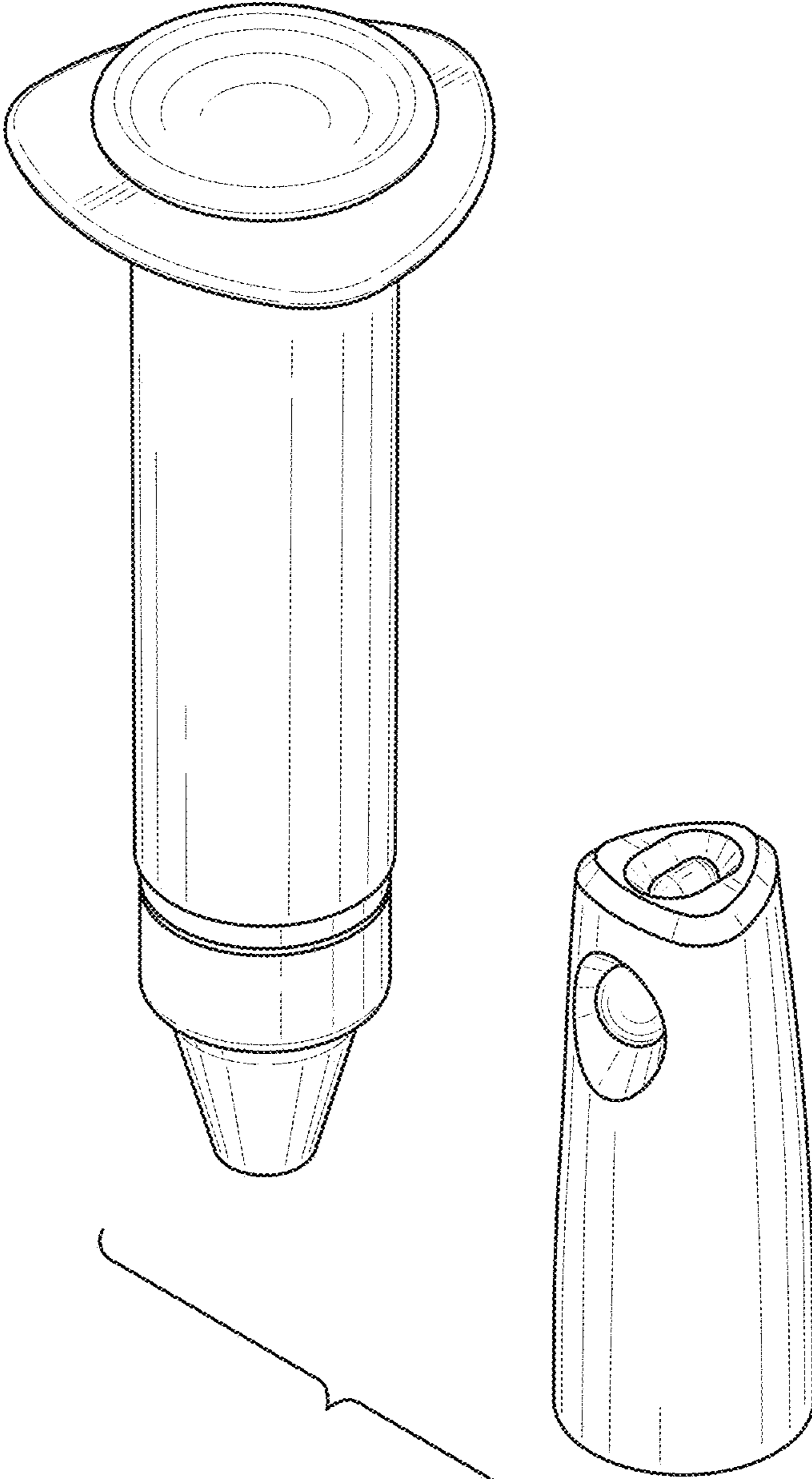


FIG. 8

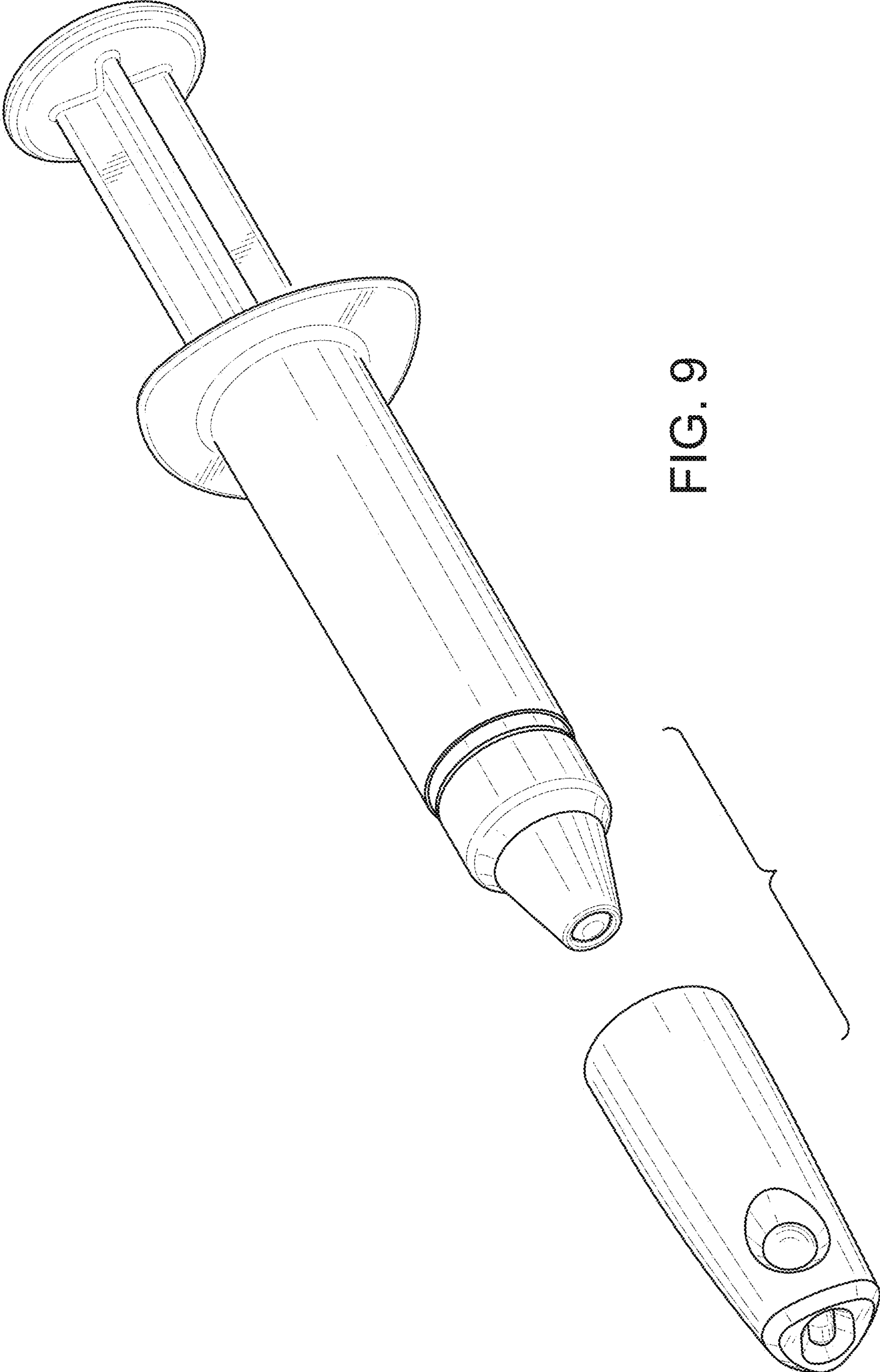


FIG. 9