



US00D969902S

(12) **United States Design Patent**  
**Chen et al.**

(10) **Patent No.:** **US D969,902 S**

(45) **Date of Patent:** **\*\* Nov. 15, 2022**

(54) **FOLDING TRIPOD**

(71) Applicant: **Shenzhen wei bo technology co., LTD,**  
Shenzhen (CN)

(72) Inventors: **Wei Chen,** Shenzhen (CN); **Jianghua**  
**Chen,** Shenzhen (CN)

(\*\*) Term: **15 Years**

(21) Appl. No.: **29/794,284**

(22) Filed: **Jun. 11, 2021**

(51) **LOC (13) Cl.** ..... **16-05**

(52) **U.S. Cl.**  
USPC ..... **D16/244**

(58) **Field of Classification Search**  
USPC ..... D16/132, 237, 241–245, 250;  
D8/354–355, 363, 382; D14/224, 229,  
D14/251; D26/93, 111, 118  
CPC ..... F16M 11/06; F16M 11/08; F16M 11/10;  
F16M 11/14; F16M 11/247; F16M 11/32;  
G03B 17/561

See application file for complete search history.

(56) **References Cited**

**U.S. PATENT DOCUMENTS**

D152,537 S *	2/1949	Heck	.....	D16/241
2,845,244 A *	7/1958	Prokop	.....	F16M 11/16 248/188.91
5,072,910 A *	12/1991	May	.....	F16M 11/42 248/412
D895,716 S *	9/2020	Chen	.....	D16/244
D899,491 S *	10/2020	Chen	.....	D16/244
D901,578 S *	11/2020	Wang	.....	D16/244
D901,579 S *	11/2020	Wang	.....	D16/244
D907,106 S *	1/2021	Li	.....	D16/244
D929,025 S *	8/2021	Xiao	.....	D16/244
D930,886 S *	9/2021	Xiao	.....	D16/244
D943,018 S *	2/2022	Feng	.....	D16/244
D946,644 S *	3/2022	Lin	.....	D16/244
D947,926 S *	4/2022	Tian	.....	D16/244

D948,106 S *	4/2022	Yuan	.....	D26/63
D950,634 S *	5/2022	Fan	.....	D16/244
D956,303 S *	6/2022	Feng	.....	D16/244
D956,323 S *	6/2022	Zou	.....	D16/244
2005/0194503 A1 *	9/2005	Lee	.....	F16M 11/26 248/188.5
2012/0001038 A1 *	1/2012	Lin	.....	F16M 11/242 248/171

(Continued)

**FOREIGN PATENT DOCUMENTS**

EM 008571202-0001 \* 6/2021

**OTHER PUBLICATIONS**

Ulanzi Projector Tripod Stand, available Nov. 26, 2021, retrieved on Aug. 3, 2022 from <https://www.amazon.com/ULANZI-Projector-Multifunctional-Horizontally-Adjustment/dp/B09MLLNDB9>.\*

(Continued)

*Primary Examiner* — Richard Kearney  
*Assistant Examiner* — Dina Michelle Hoeynck

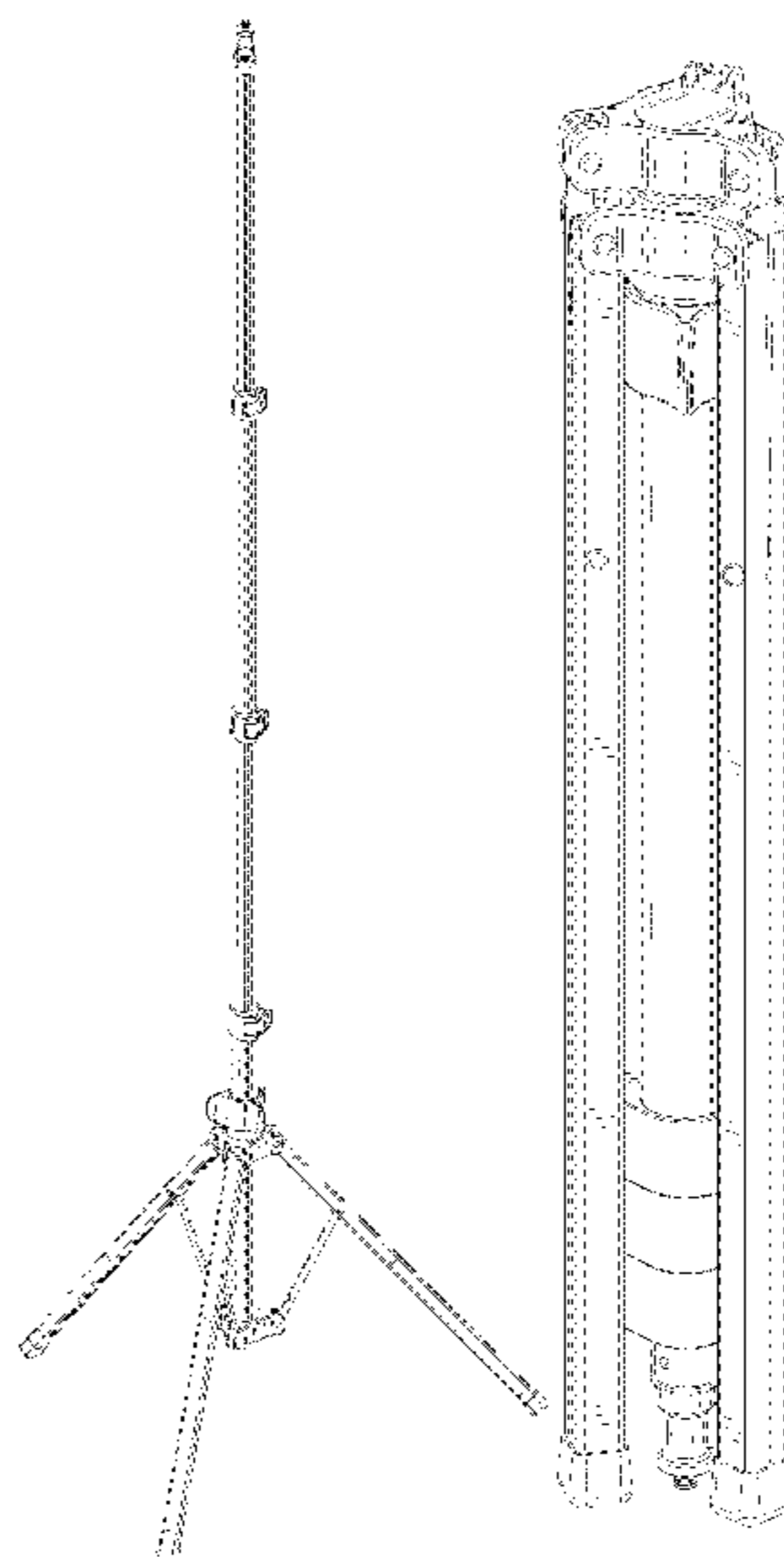
(57) **CLAIM**

The ornamental design for a folding tripod, as shown and described.

**DESCRIPTION**

FIG. 1 is a first perspective view of a folding tripod showing my new design;  
FIG. 2 is a second perspective view thereof;  
FIG. 3 is a front view thereof;  
FIG. 4 is a back view thereof;  
FIG. 5 is a right side view thereof;  
FIG. 6 is a left side view thereof;  
FIG. 7 is a top view thereof;  
FIG. 8 is a bottom view thereof; and,  
FIG. 9 is a perspective view of another state of the folding tripod thereof.

**1 Claim, 9 Drawing Sheets**



(56)

**References Cited**

U.S. PATENT DOCUMENTS

2012/0181979 A1\* 7/2012 Hudspeth ..... F16M 11/28  
320/108  
2013/0206935 A1\* 8/2013 Majid ..... F16M 11/2085  
248/124.1  
2019/0249821 A1\* 8/2019 Christensen ..... G03B 17/561  
2021/0360202 A1\* 11/2021 Oaks ..... H04N 5/2253

OTHER PUBLICATIONS

2m Student Compact Light Stand, available online, retrieved on Aug. 3, 2022 from <https://www.made-in-china.com/showroom/kinbo80/product-detailTycnWdJAhDVX/China-2m-Student-Compact-Light-Stand.html>.\*

Tarion Studio Light Stand, available Jan. 27, 2022, retrieved on Aug. 3, 2022 from <https://us.amazon.com/TARION-Photographic-Professional-Photography-Background/dp/B09R9SZVSQ/>.\*

Emart Reverse Folding Lighting Stand, available Sep. 10, 2019, retrieved on Aug. 3, 2022 from <https://www.amazon.com/Photography-Portable-Lightweight-Adjustable-Reflector/dp/B07XR6TBXV/>.\*

\* cited by examiner

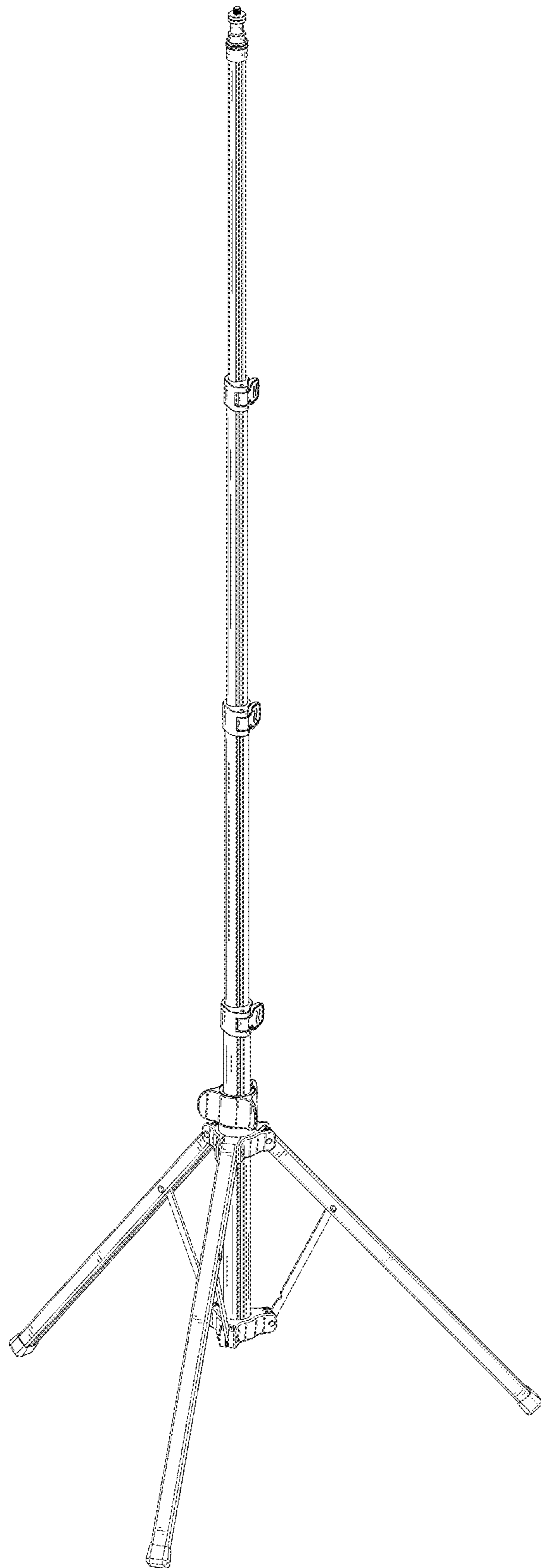


FIG. 1

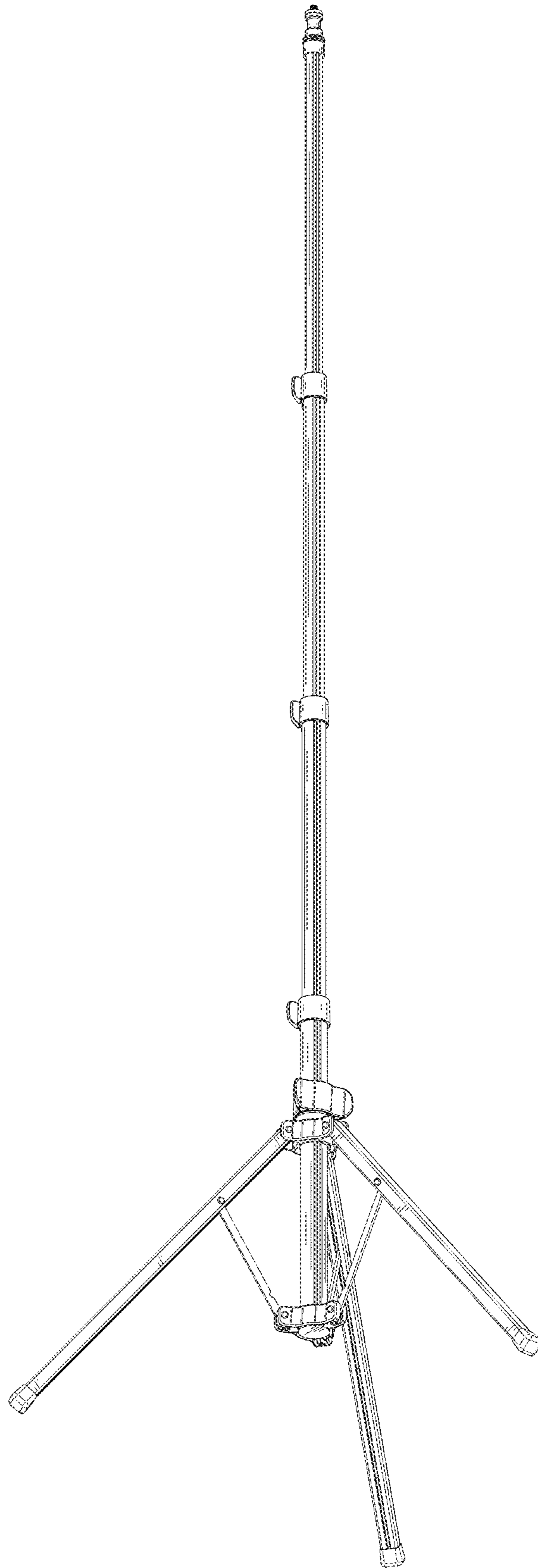


FIG. 2

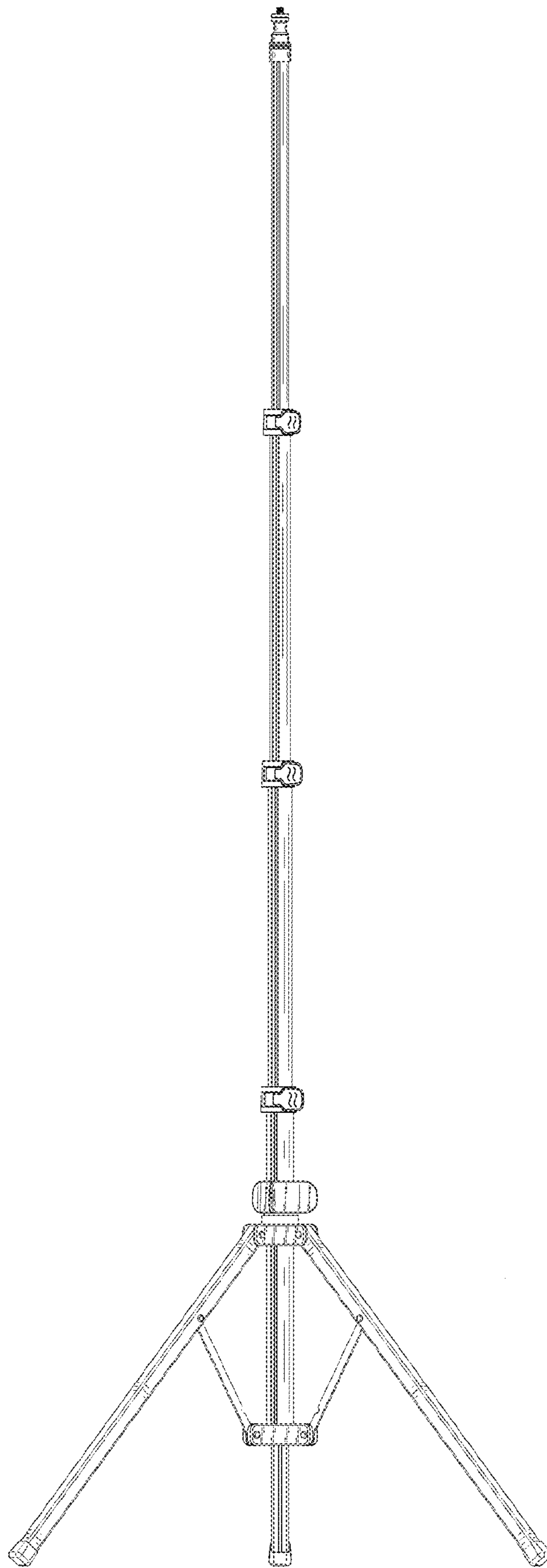


FIG. 3

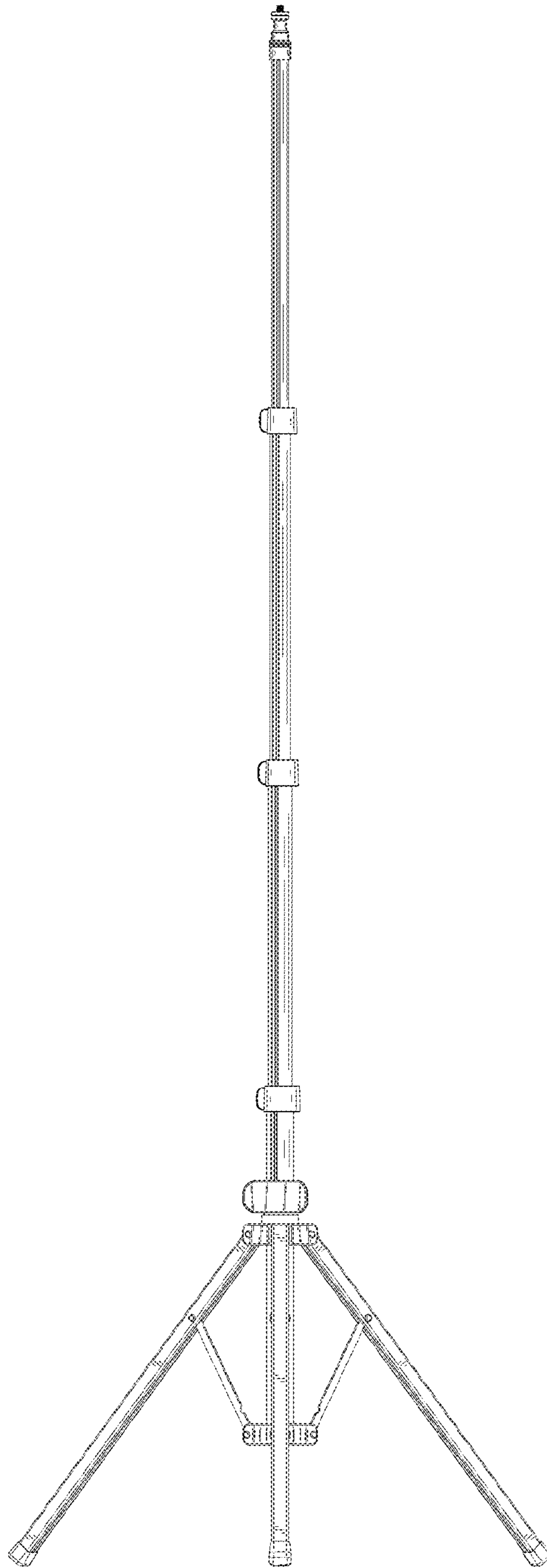


FIG. 4



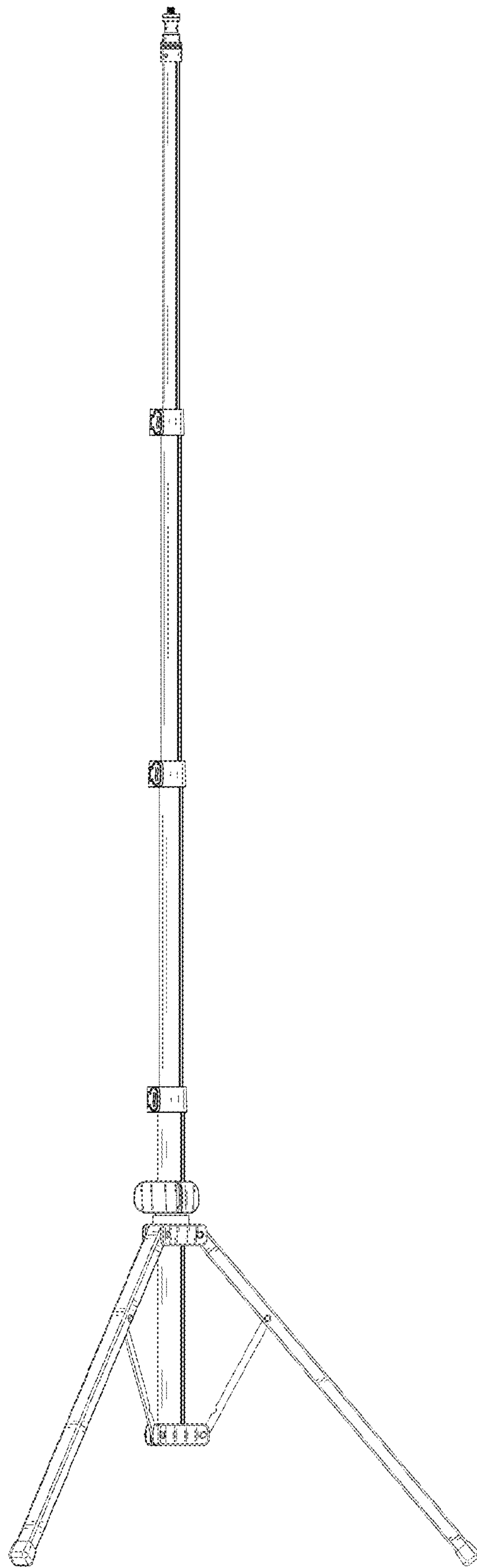


FIG. 5

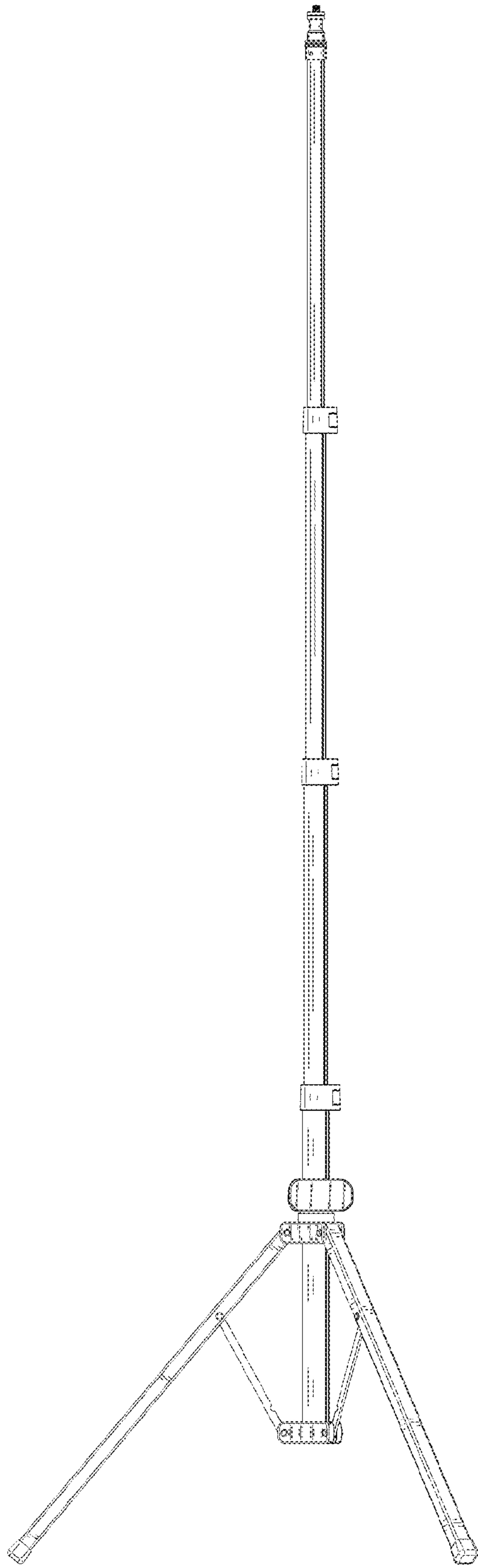


FIG. 6



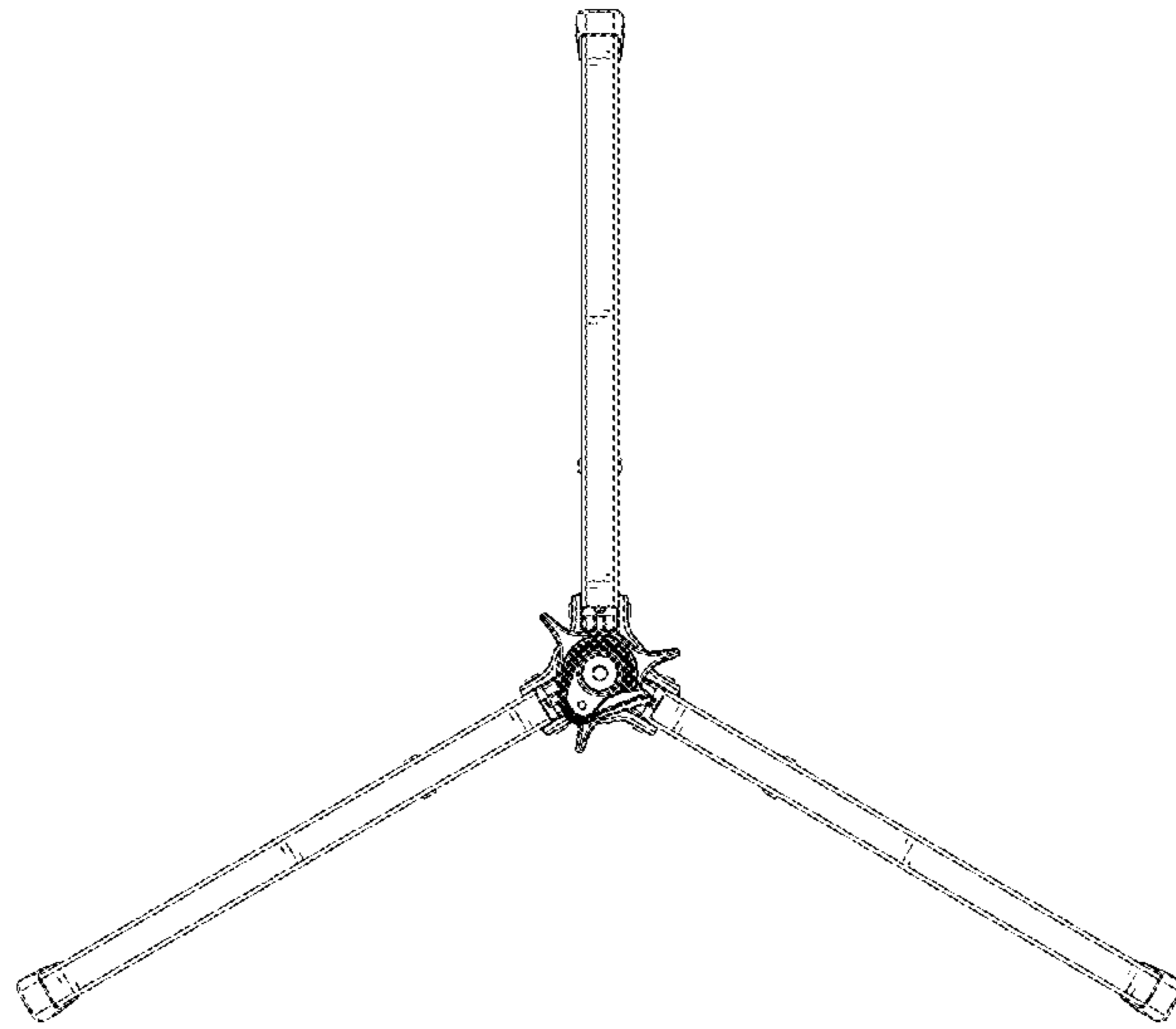


FIG. 7

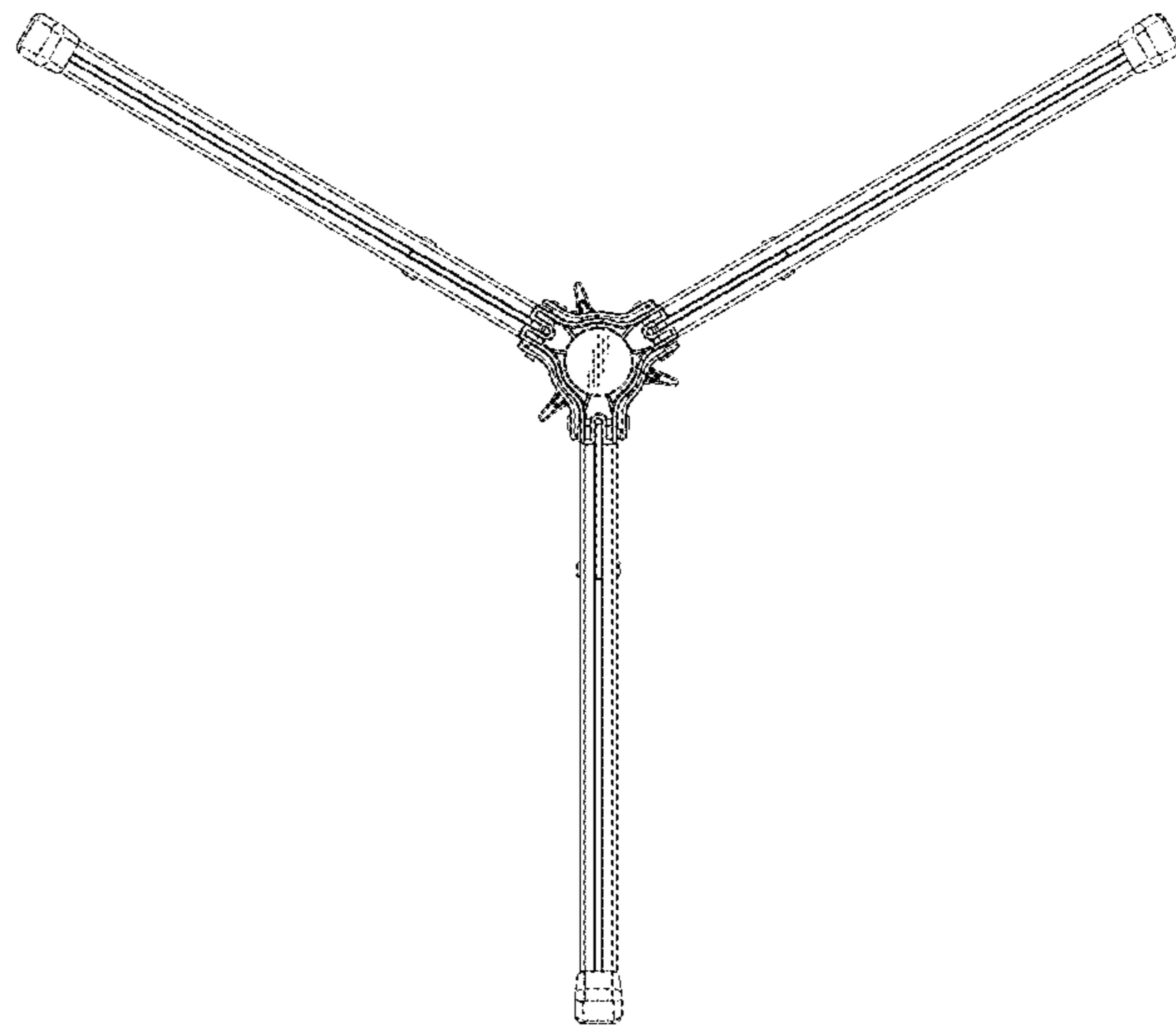


FIG. 8

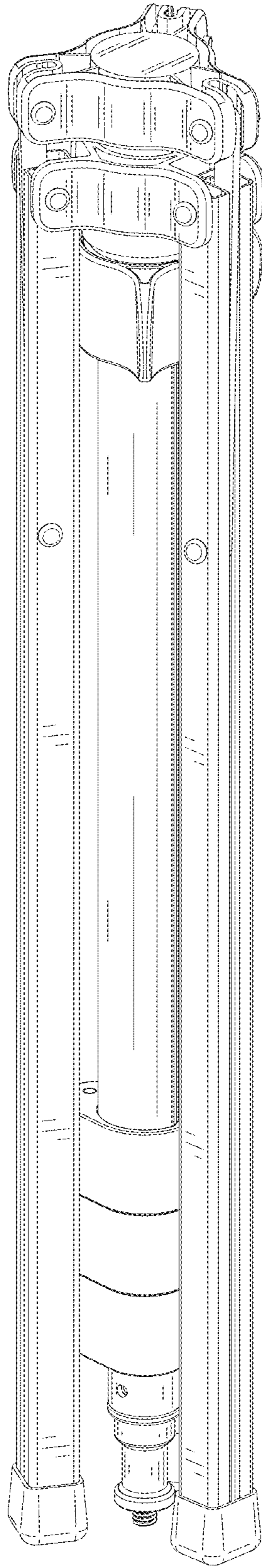


FIG. 9