



US00D969897S

(12) **United States Design Patent**
Norman et al.

(10) **Patent No.:** **US D969,897 S**

(45) **Date of Patent:** **** Nov. 15, 2022**

(54) **GARAGE DOOR OPERATOR ACCESSORY**

(71) Applicant: **The Chamberlain Group LLC**, Oak Brook, IL (US)

(72) Inventors: **Corey Jevon Norman**, Villa Park, IL (US); **Justin Banker Peart**, Clarendon Hills, IL (US)

(73) Assignee: **The Chamberlain Group LLC**, Oak Brook, IL (US)

(**) Term: **15 Years**

(21) Appl. No.: **29/837,999**

(22) Filed: **May 10, 2022**

Related U.S. Application Data

(62) Division of application No. 29/715,710, filed on Dec. 4, 2019, now Pat. No. Des. 955,456.

(51) **LOC (13) Cl.** **15-09**

(52) **U.S. Cl.**
USPC **D15/199**; D15/148; D13/168

(58) **Field of Classification Search**
USPC D10/104.1, 106.1; D13/168, 184, 199;
D14/218, 402-410, 454; D15/148, 199
CPC E05F 13/04; E05F 15/63; E05Y 2900/106
See application file for complete search history.

(56) **References Cited**

U.S. PATENT DOCUMENTS

D221,859 S	9/1971	Dercoli
3,764,874 A	10/1973	Geoffrey
5,522,638 A	6/1996	Falcoff
D402,300 S	12/1998	Doppelt
D405,424 S	2/1999	Winkler
D413,867 S	9/1999	Mullet
D421,031 S	2/2000	Mullet
D434,054 S	11/2000	Luke

D435,835 S	1/2001	Steck
6,377,173 B1	4/2002	Desai
D468,756 S	1/2003	Coullahan
D469,114 S	1/2003	Coullahan
D469,115 S	1/2003	Coullahan
6,525,645 B2	2/2003	King
D477,619 S	7/2003	Coullahan
D478,605 S	8/2003	Guzman
D486,841 S	2/2004	Reedy
D490,380 S	5/2004	Coullahan

(Continued)

Primary Examiner — Patricia A Palasik

(74) *Attorney, Agent, or Firm* — Fitch, Even, Tabin & Flannery LLP

(57) **CLAIM**

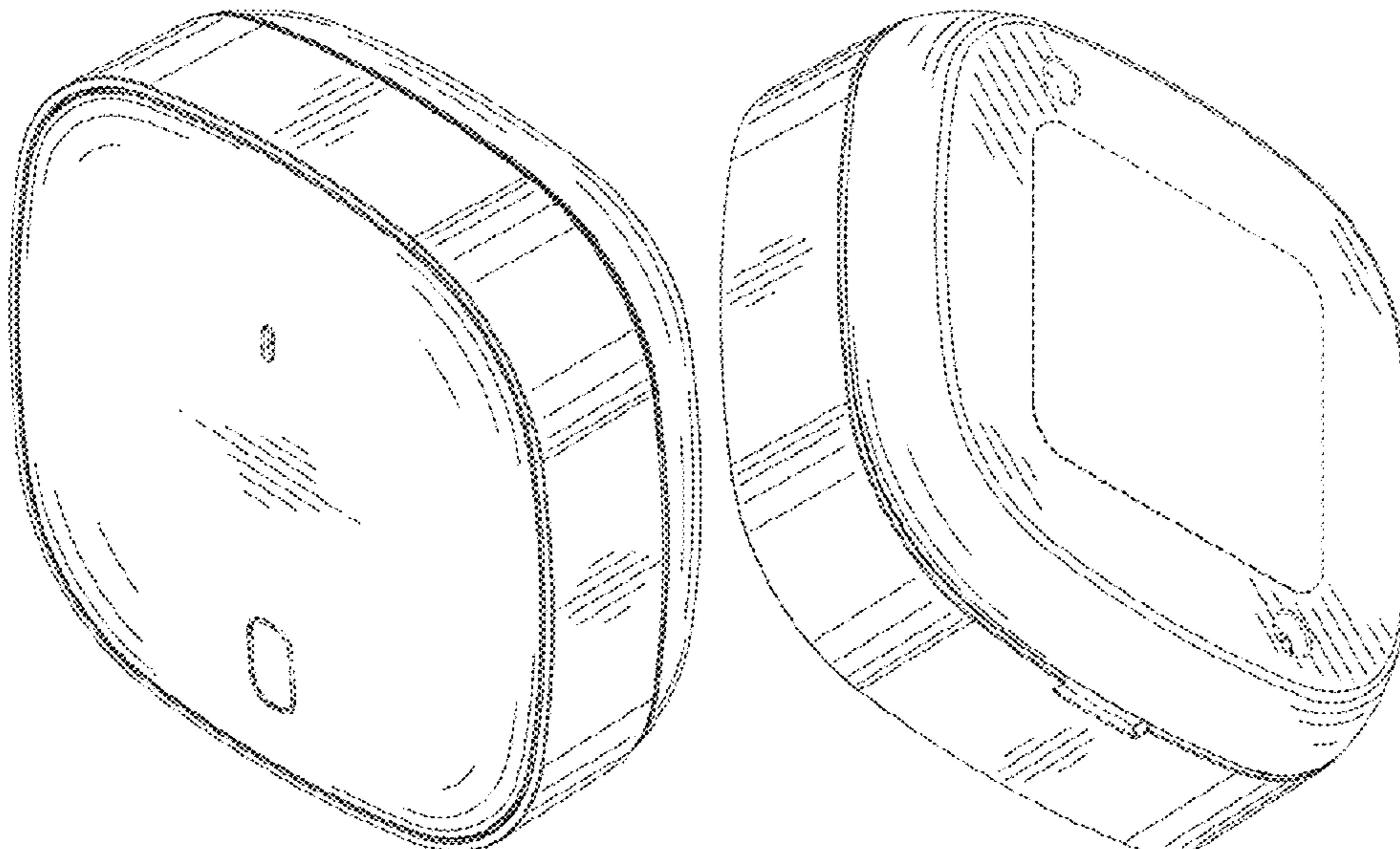
We claim the ornamental design for a garage door operator accessory, as shown and described.

DESCRIPTION

FIG. 1 is a front perspective view of the garage door operator accessory in accordance with our new design;
 FIG. 2 is a rear perspective view of the garage door operator accessory of FIG. 1;
 FIG. 3 is a front elevation view of the garage door operator accessory of FIGS. 1-2;
 FIG. 4 is a rear elevation view of the garage door operator accessory of FIGS. 1-3;
 FIG. 5 is a first side elevation view of the garage door operator accessory of FIGS. 1-4;
 FIG. 6 is a second side elevation view of the garage door operator accessory of FIGS. 1-5;
 FIG. 7 is a top plan view of the garage door operator accessory of FIGS. 1-6; and,
 FIG. 8 is a bottom plan view of the garage door operator accessory of FIGS. 1-7.

Any portions of the garage door operator accessory shown in broken lines in the figures form no part of the claimed design.

1 Claim, 6 Drawing Sheets



(56)

References Cited

U.S. PATENT DOCUMENTS

D491,208	S	6/2004	Coullahan	
D492,333	S	6/2004	Guzman	
D493,477	S	7/2004	Reedy	
D494,144	S	8/2004	Guzman	
D495,303	S	8/2004	Coullahan	
D500,066	S	12/2004	Coullahan	
D524,295	S	7/2006	Jacobson	
7,215,238	B2	5/2007	Buck	
D546,295	S	7/2007	Marchetto	
D547,275	S	7/2007	Bonnaud	
D589,497	S	3/2009	Andre	
D592,158	S	5/2009	Peterson	
D613,626	S	4/2010	Wang	
D614,145	S	4/2010	Arosio	
D614,977	S	5/2010	Hollnagel	
D667,382	S	9/2012	Cosentino	
D673,512	S	1/2013	Huang	
D701,496	S	3/2014	Namminga	
D715,228	S	10/2014	Lee	
D722,983	S	2/2015	Paredes	
D741,817	S	10/2015	Paredes	
D844,685	S	4/2019	Bresson	
D846,612	S	4/2019	Baer	
D847,888	S	5/2019	Baer	
D848,498	S	5/2019	Baer	
D872,150	S	1/2020	Abel	
D955,456	S *	6/2022	Norman D13/168
2004/0020612	A1	2/2004	Bosio	
2005/0254194	A1	11/2005	Olmsted	
2013/0063259	A1	3/2013	Kramer	
2013/0176243	A1	7/2013	Bianrosa	
2015/0013229	A1	1/2015	Shalom	

* cited by examiner

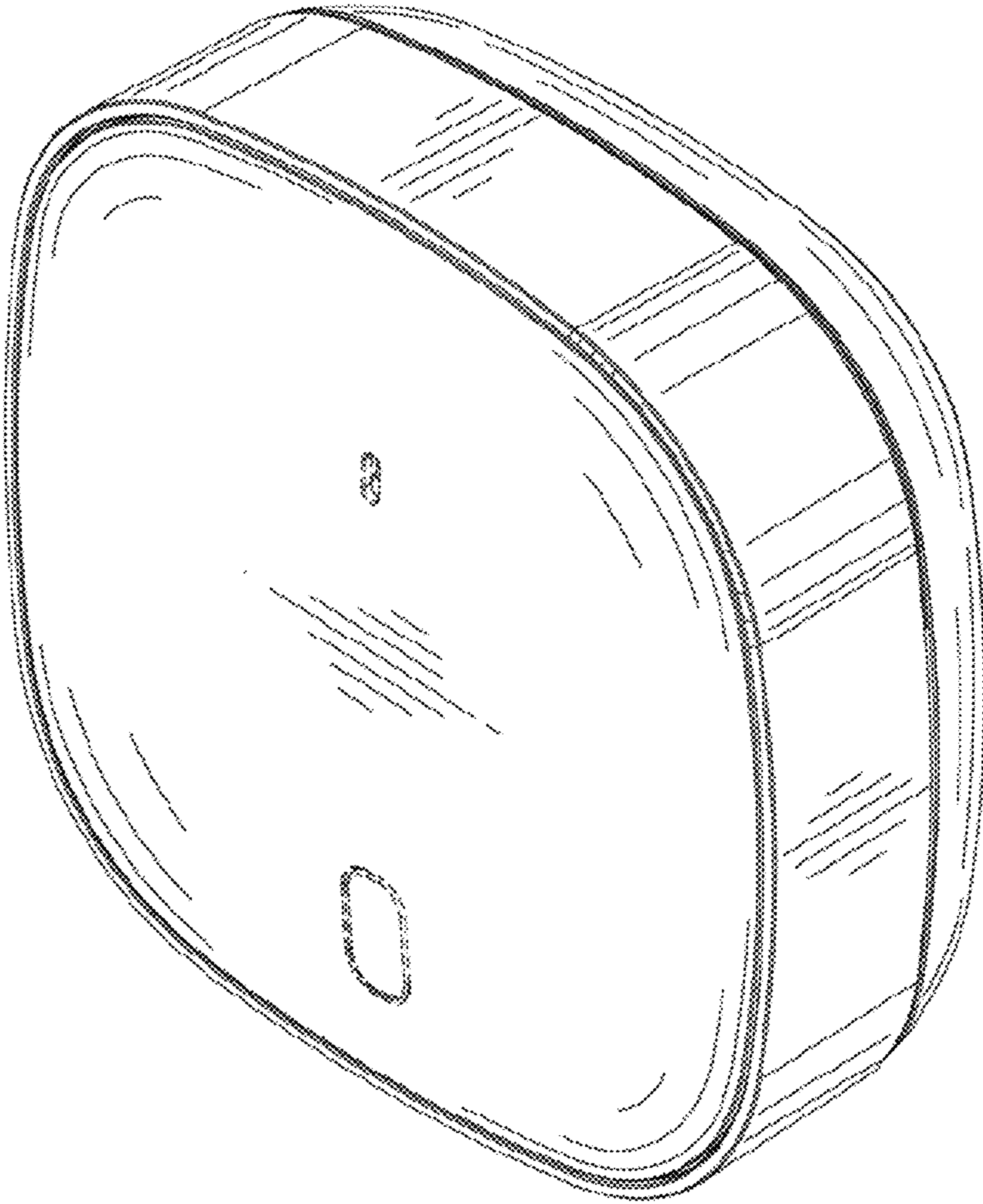


FIG. 1

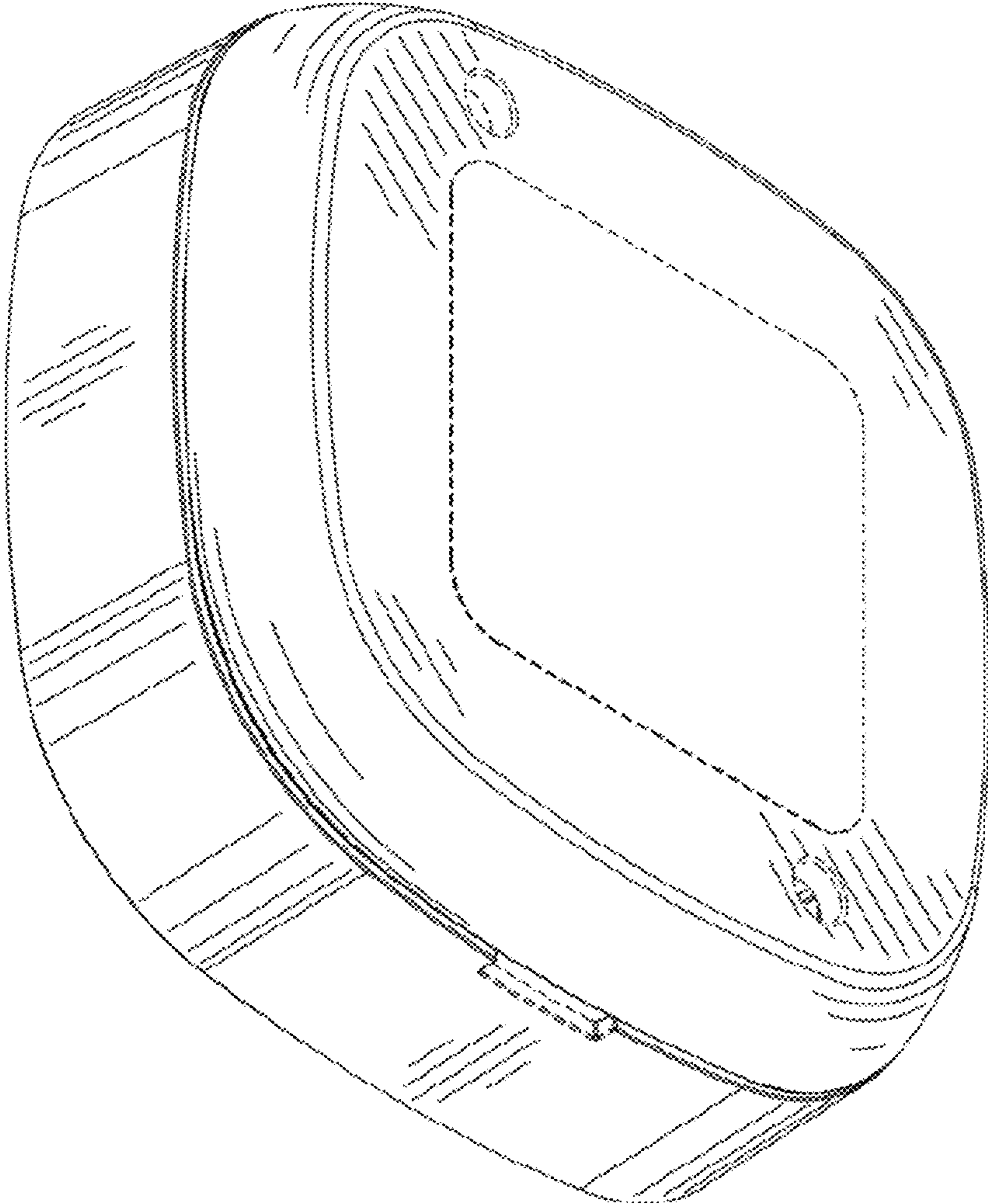


FIG. 2

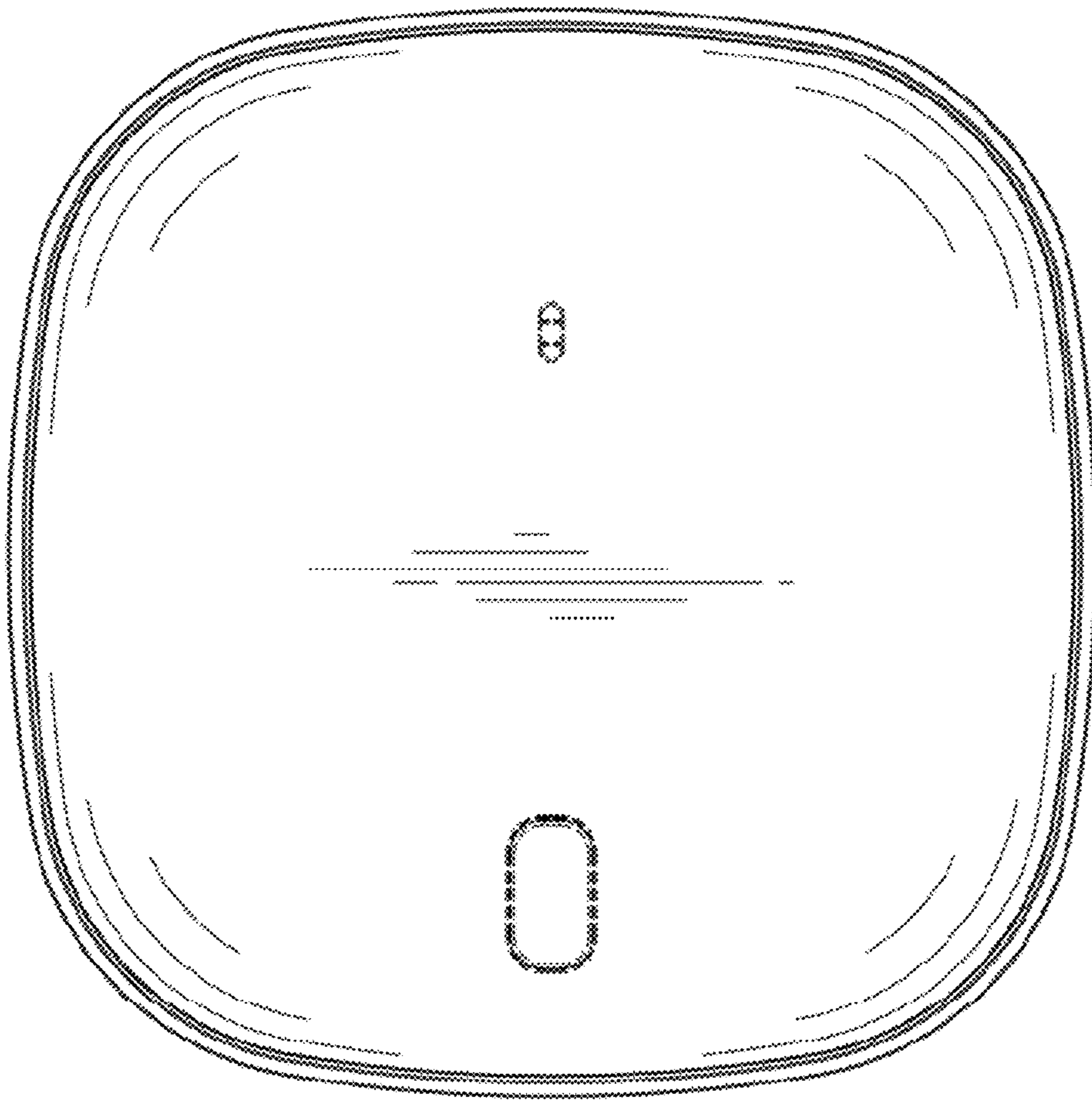


FIG. 3

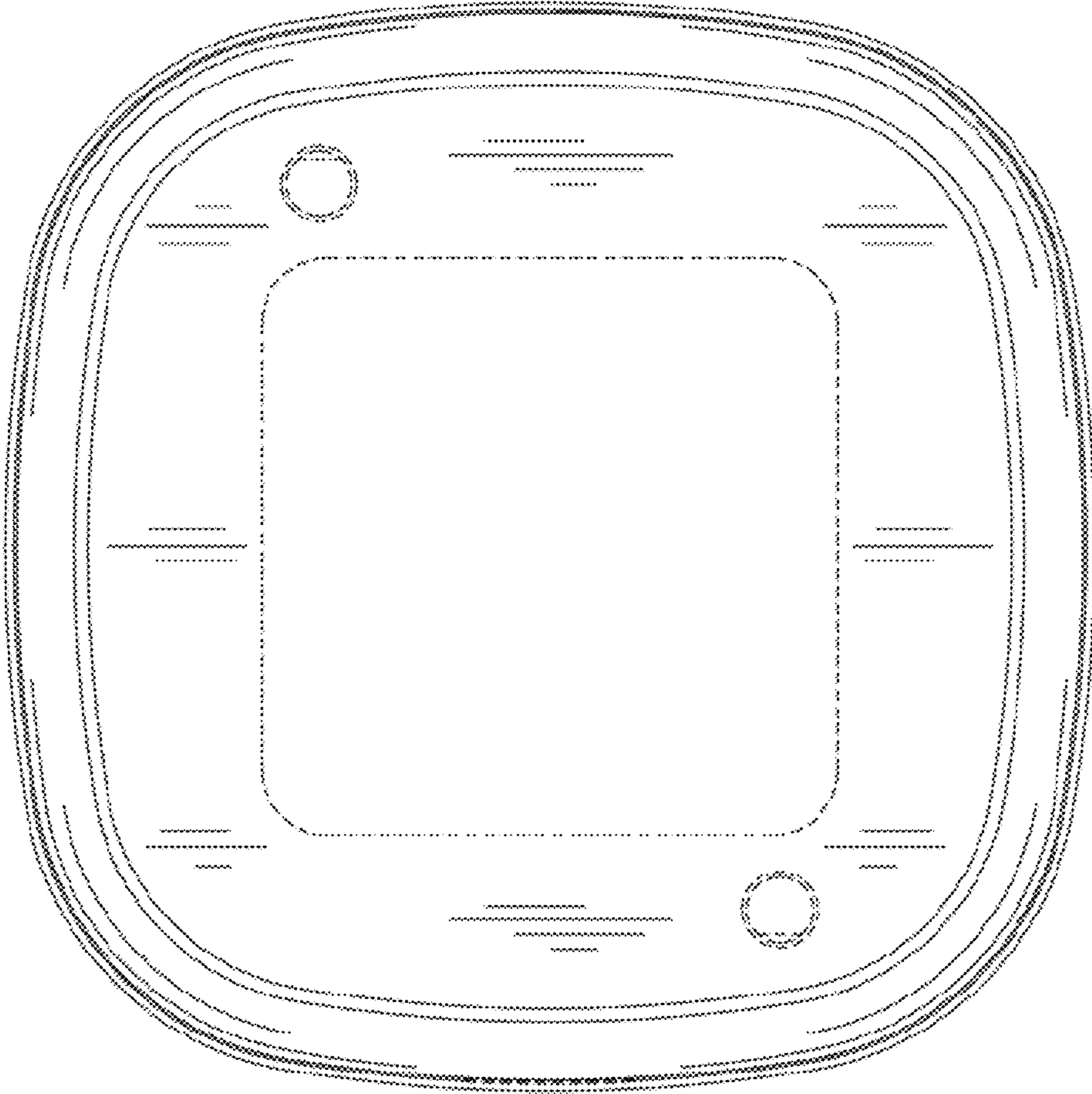


FIG. 4

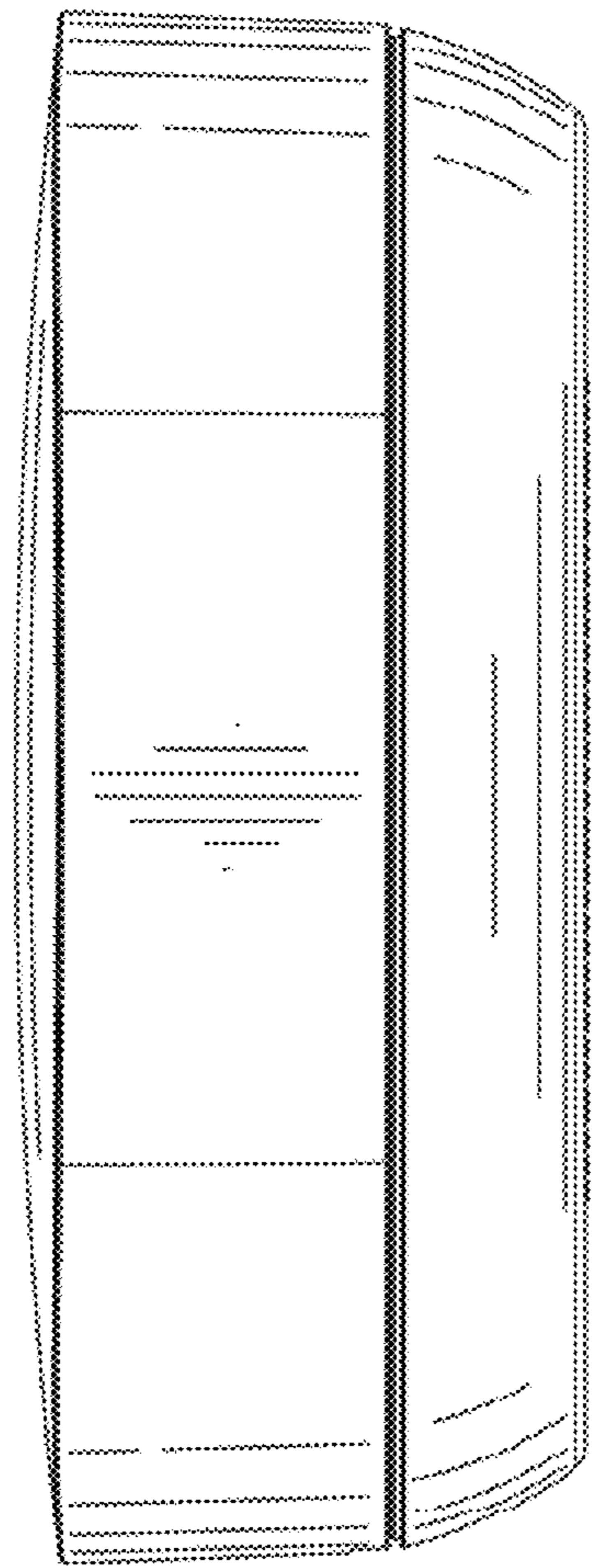


FIG. 5

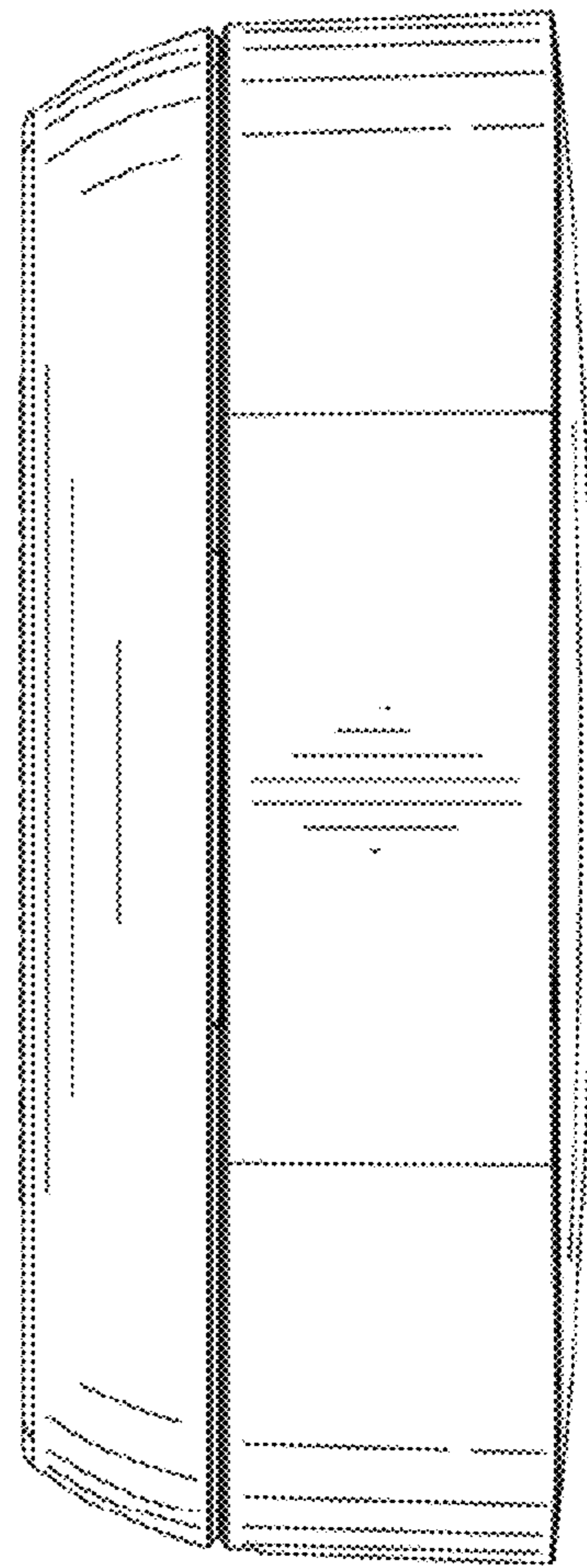


FIG. 6

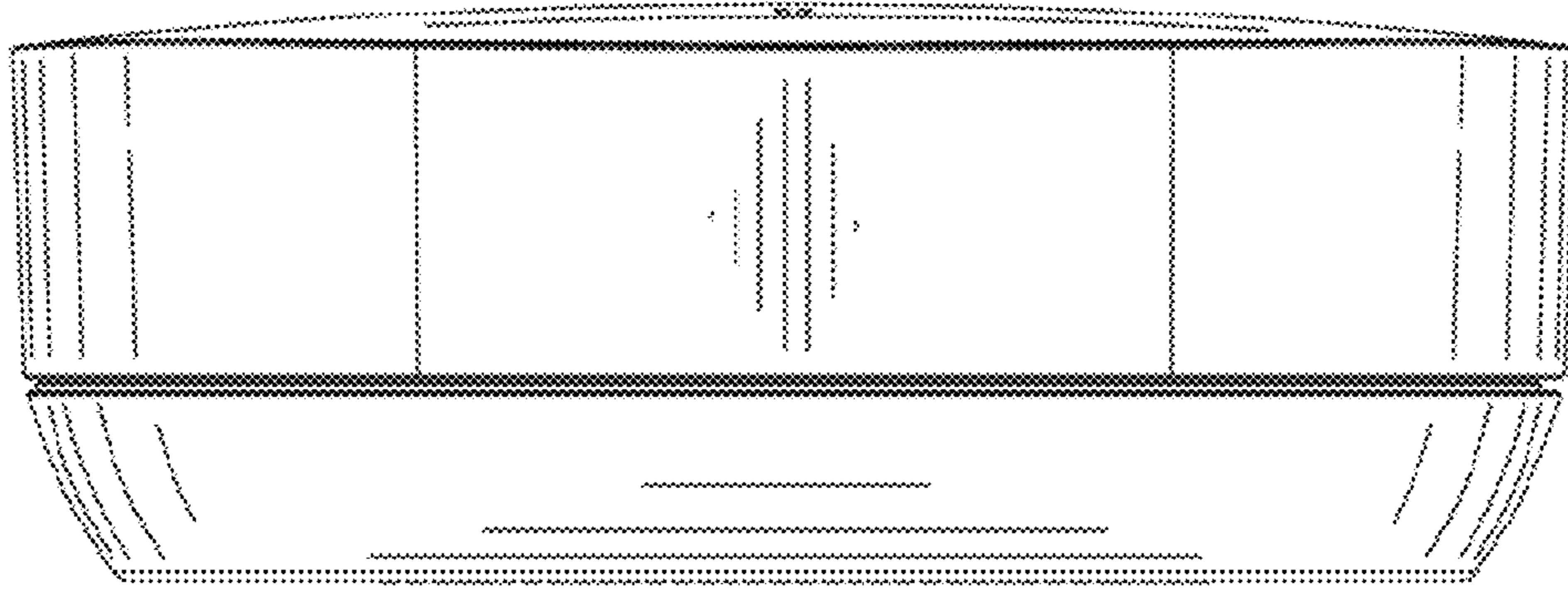


FIG. 7

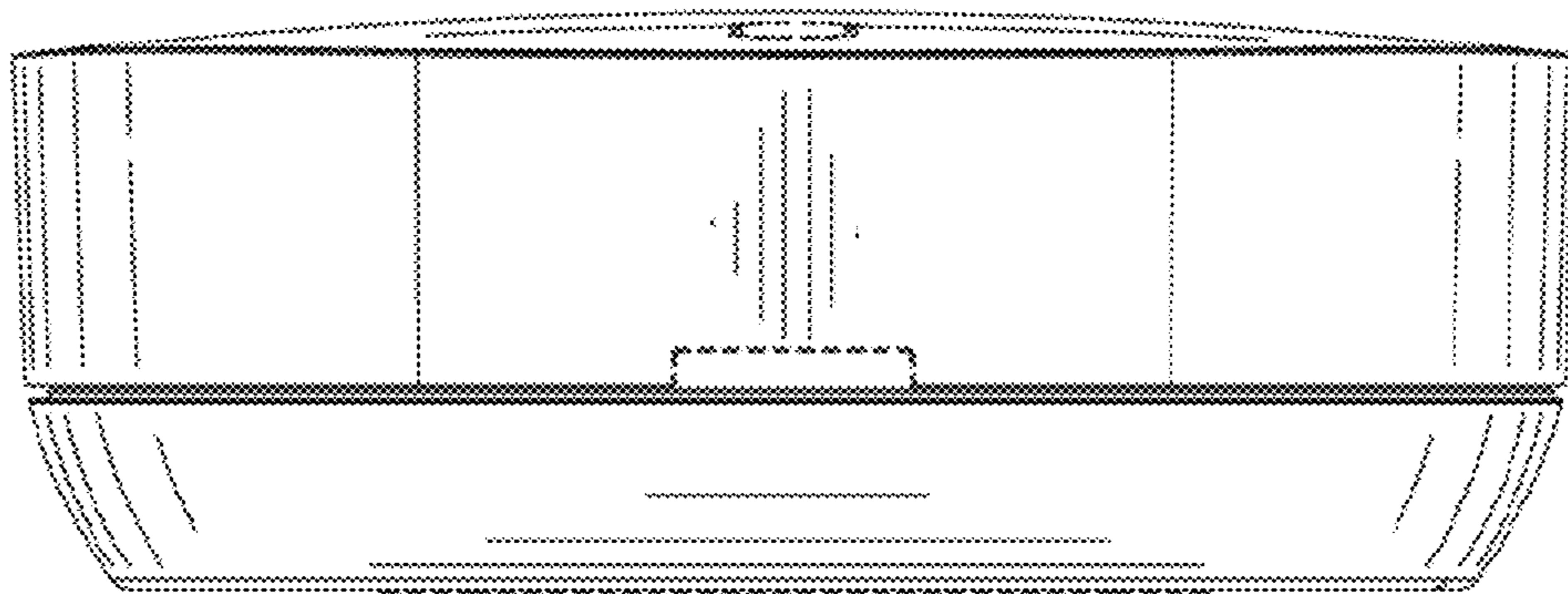


FIG. 8