

US00D969892S

(12) **United States Design Patent** (10) **Patent No.:** **US D969,892 S**
Bayo et al. (45) **Date of Patent:** **** Nov. 15, 2022**

(54) **SOLDERING STATION**
(71) Applicant: **JBC SOLDERING S.L.**, Molins de Rei (ES)
(72) Inventors: **Heliodoro Alegre Bayo**, Barcelona (ES); **Marc Martinez Pratginestos**, Barcelona (ES)
(73) Assignee: **JBC Soldering S.L.**, Barcelona (ES)

(**) Term: **15 Years**

(21) Appl. No.: **35/511,825**

(22) Filed: **Apr. 26, 2021**

(80) **Hague Agreement Data**

Int. Filing Date: **Apr. 26, 2021**
Int. Reg. No.: **DM/214121**
Int. Reg. Date: **Apr. 26, 2021**
Int. Reg. Pub. Date: **May 14, 2021**

(51) **LOC (13) Cl.** **15-09**

(52) **U.S. Cl.**
USPC **D15/144**

(58) **Field of Classification Search**
USPC D8/29.1, 29.2, 30; D14/126; D15/122, D15/144, 144.1, 144.2
CPC B23K 3/08; B23K 3/033; B23K 3/0369; G05D 23/2401
See application file for complete search history.

(56) **References Cited**

U.S. PATENT DOCUMENTS

D290,927 S * 7/1987 Pagani D8/30
D300,297 S * 3/1989 Arehart D8/30
D375,904 S * 11/1996 Fukuda D10/50
D428,427 S * 7/2000 Neef D15/144.2
D533,042 S * 12/2006 Loch D8/71
D585,469 S * 1/2009 Mochizuki D15/144

D703,715 S * 4/2014 Kita D15/144
D722,256 S * 2/2015 Kita D8/30
D762,254 S * 7/2016 Kita D15/144.2
D780,241 S * 2/2017 Teraoka D15/144.2
D832,321 S * 10/2018 Gou D15/144
D832,901 S * 11/2018 Gou D15/144
D862,547 S * 10/2019 Xie D8/30
D887,801 S * 6/2020 Li D8/30
D891,209 S * 7/2020 Gou D8/30
D892,579 S * 8/2020 Cheng D8/30
D905,521 S * 12/2020 Ding D8/30
D935,500 S * 11/2021 Li D8/30
D937,645 S * 12/2021 Gou D8/30
D938,504 S * 12/2021 Van Fossen D15/144.2
D941,898 S * 1/2022 Bublitz D15/144.2
D949,657 S * 4/2022 Gou D8/71
2010/0108827 A1 * 5/2010 Teraoka B23K 3/027
248/117.2
2018/0111212 A1 * 4/2018 Lu B23K 3/02
2019/0134730 A1 * 5/2019 Teraoka B23K 3/033
2019/0217410 A1 * 7/2019 Nguyen B23K 3/0478
2019/0240756 A1 * 8/2019 Weissenberger B23K 3/026
2019/0364668 A1 * 11/2019 Nguyen B23K 3/026

(Continued)

Primary Examiner — Darlington Ly

(74) *Attorney, Agent, or Firm* — Tucker Ellis, LLP

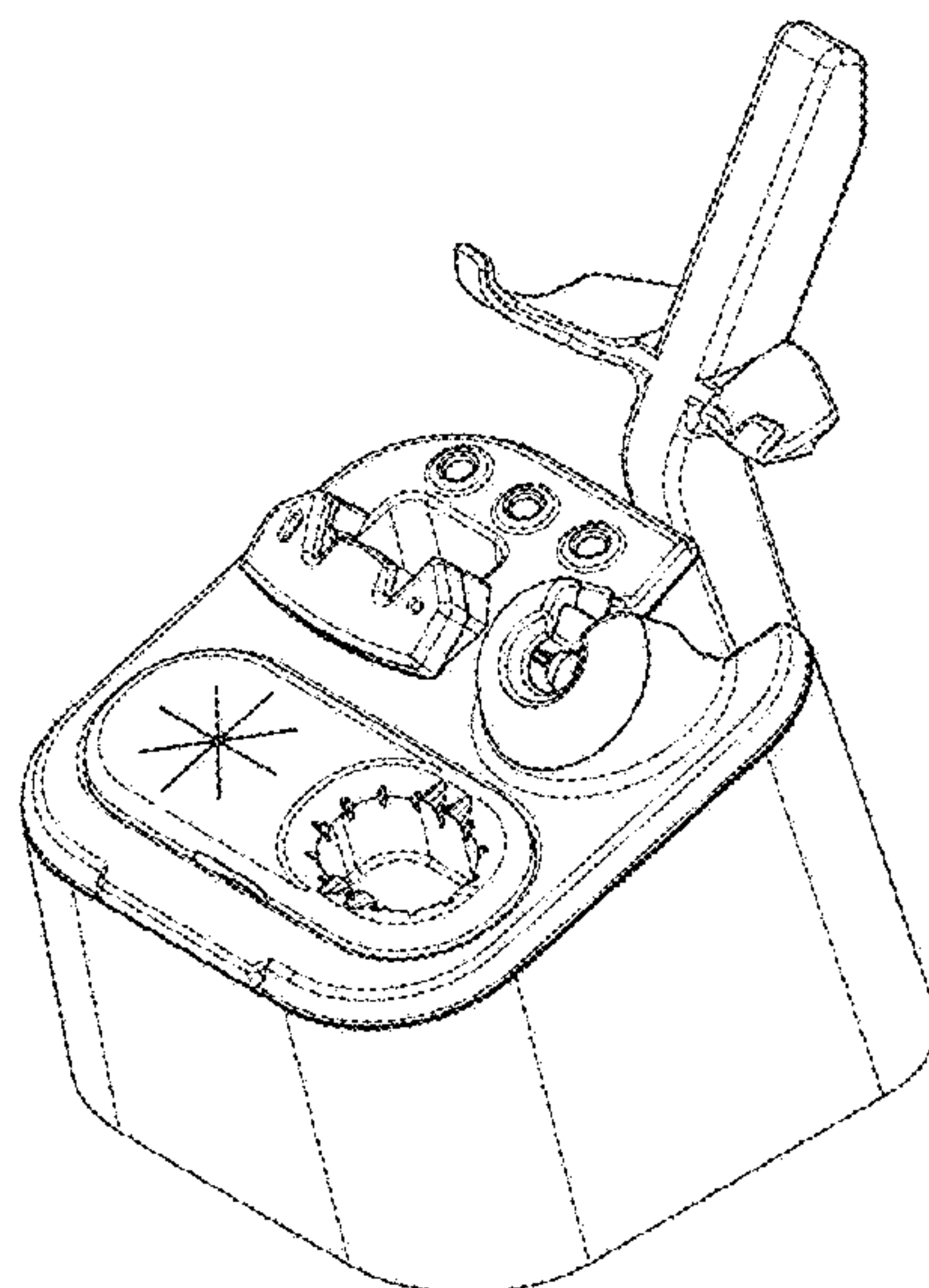
(57) **CLAIM**

The ornamental design for a soldering station, as shown and described.

DESCRIPTION

1. Soldering station
1.1 is a top, front, and left side perspective view of a soldering station embodying our new design;
1.2 is a front elevation view thereof;
1.3 is a right side elevation view thereof;
1.4 is a top perspective view thereof;
1.5 is a left side elevation view thereof;
1.6 is a bottom plan view thereof;
1.7 is a rear elevation view thereof; and
1.8 is a top plan view thereof.

1 Claim, 8 Drawing Sheets



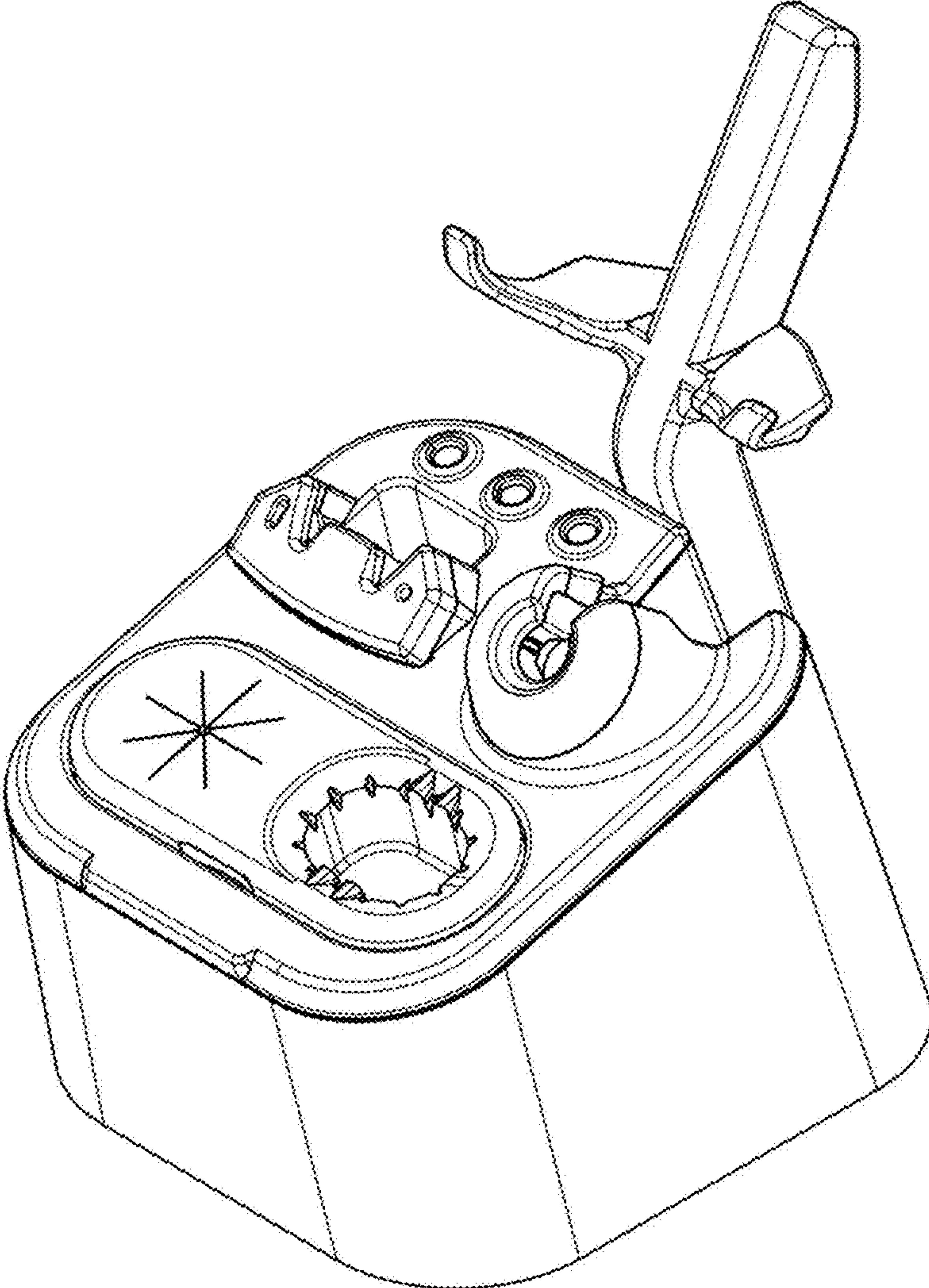
(56)

References Cited

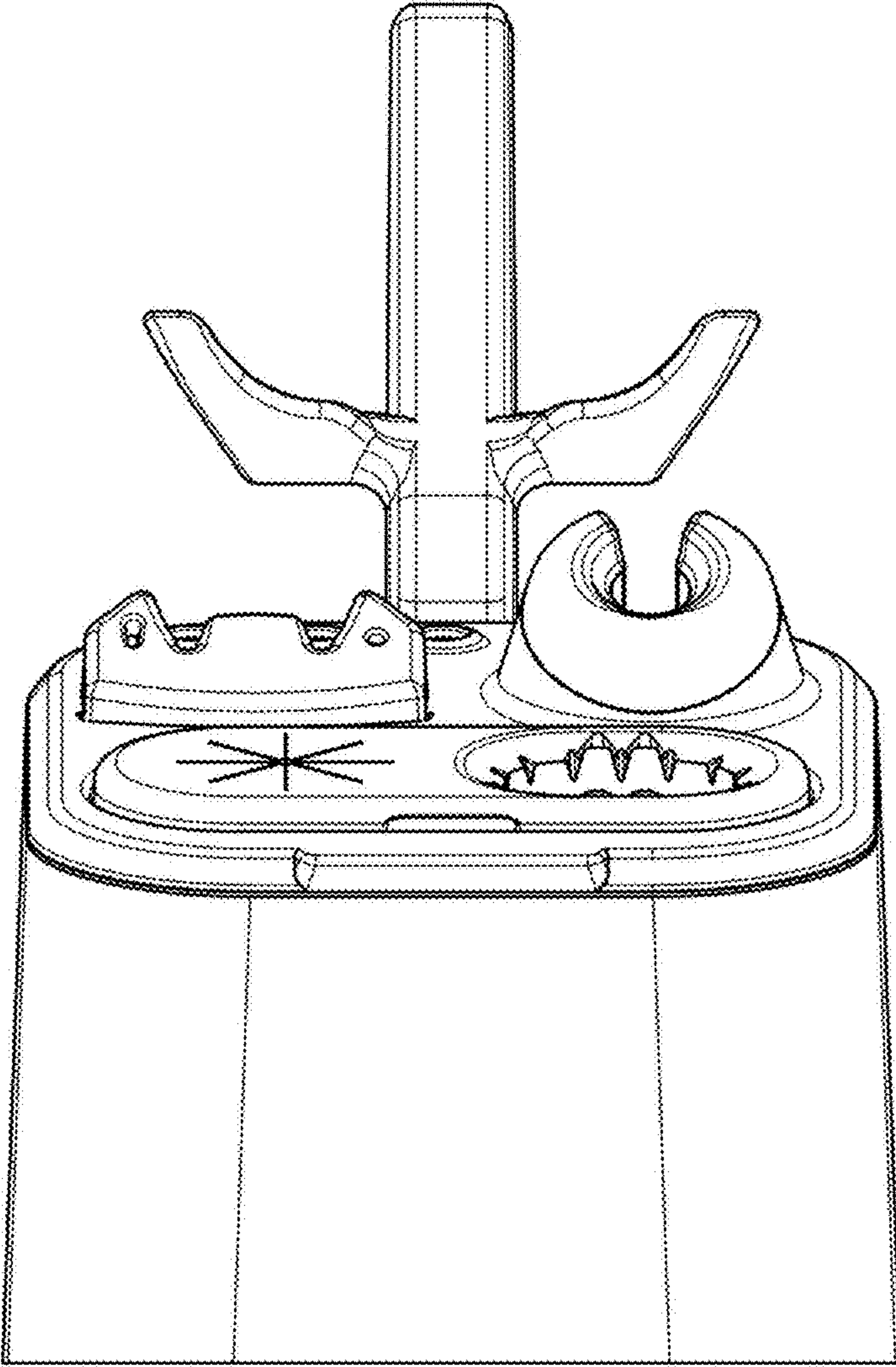
U.S. PATENT DOCUMENTS

2020/0094337 A1* 3/2020 Nguyen B23K 3/033
2020/0223004 A1* 7/2020 Mochizuki B23K 3/033

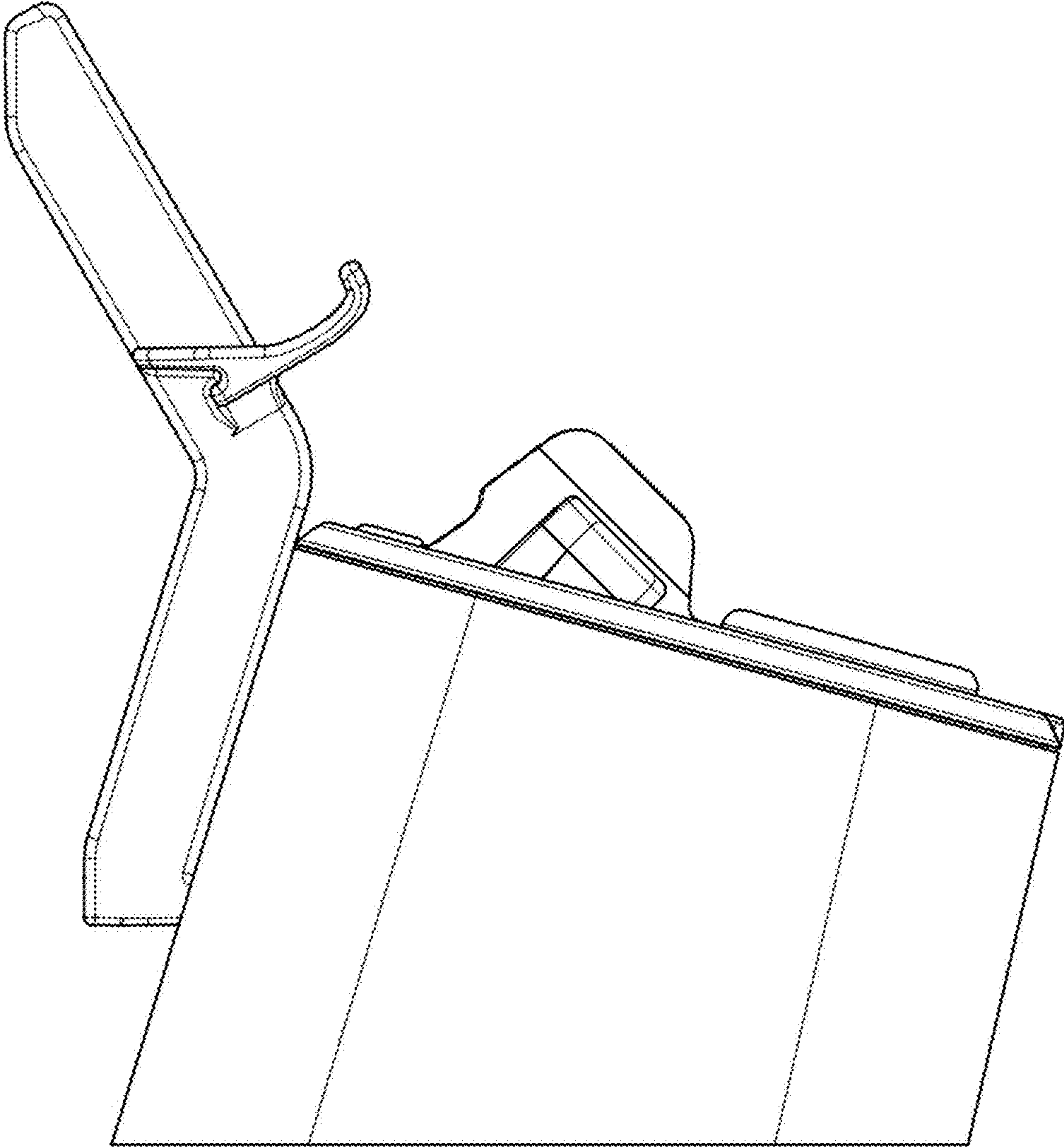
* cited by examiner



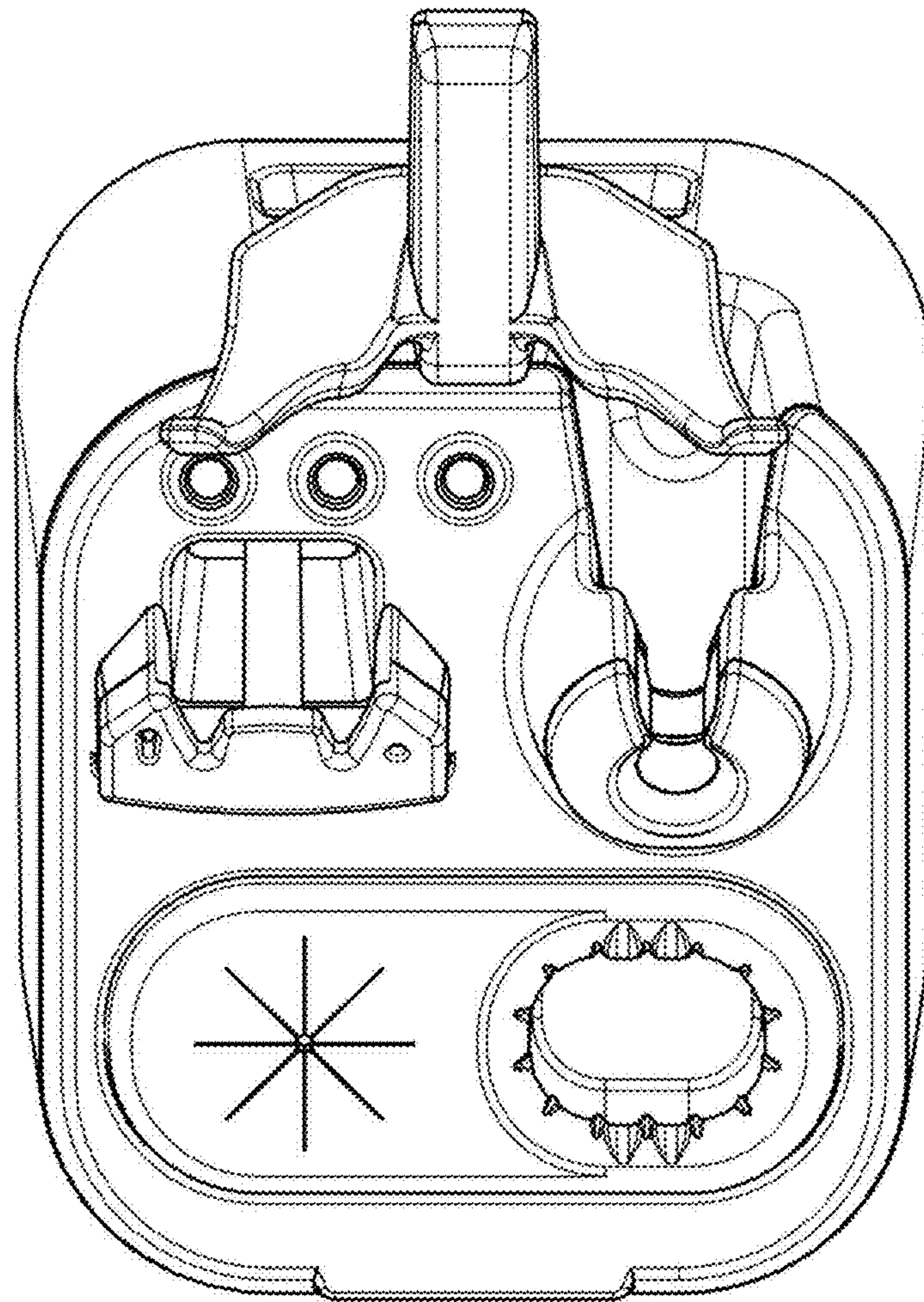
1.1



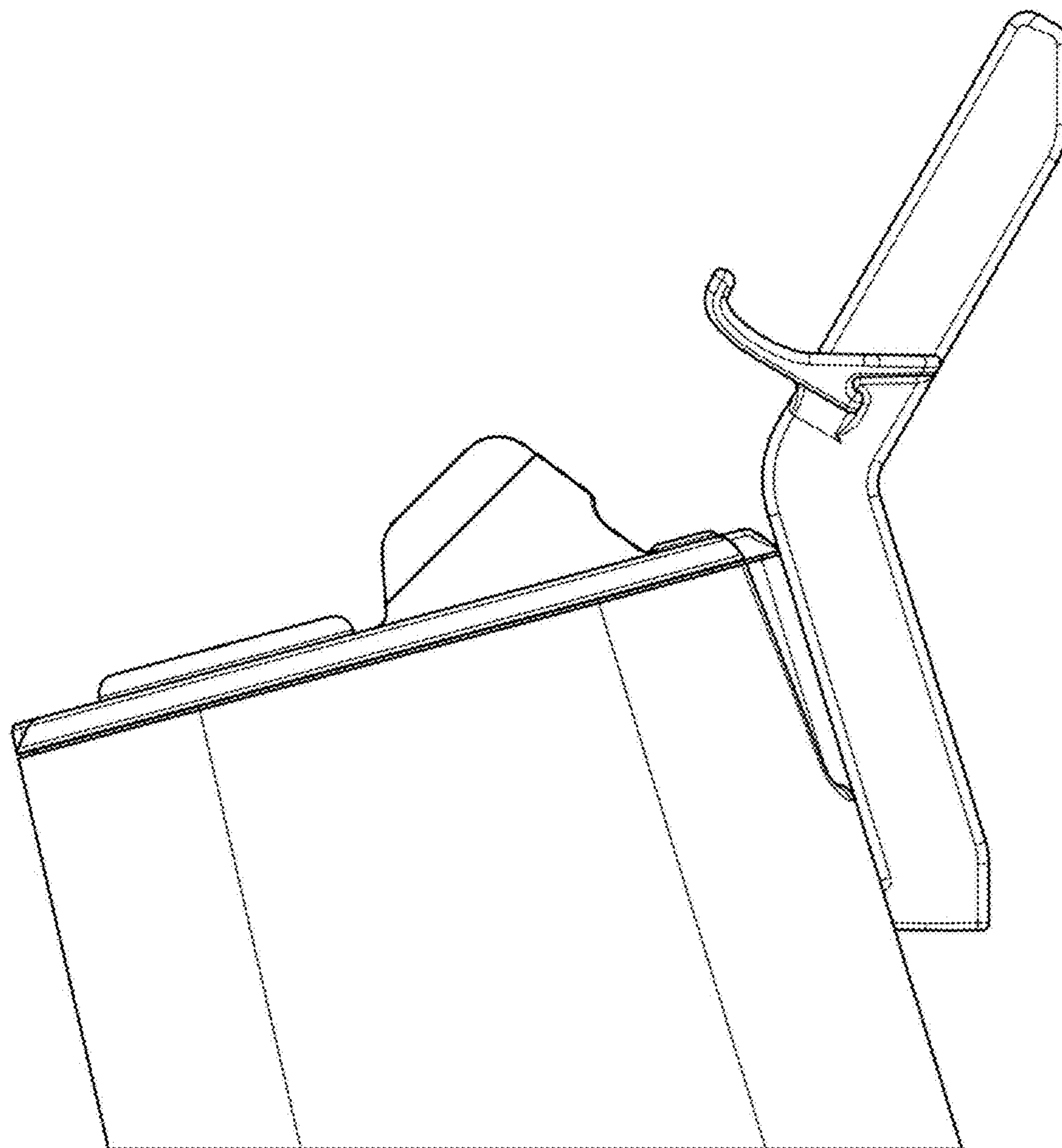
1.2



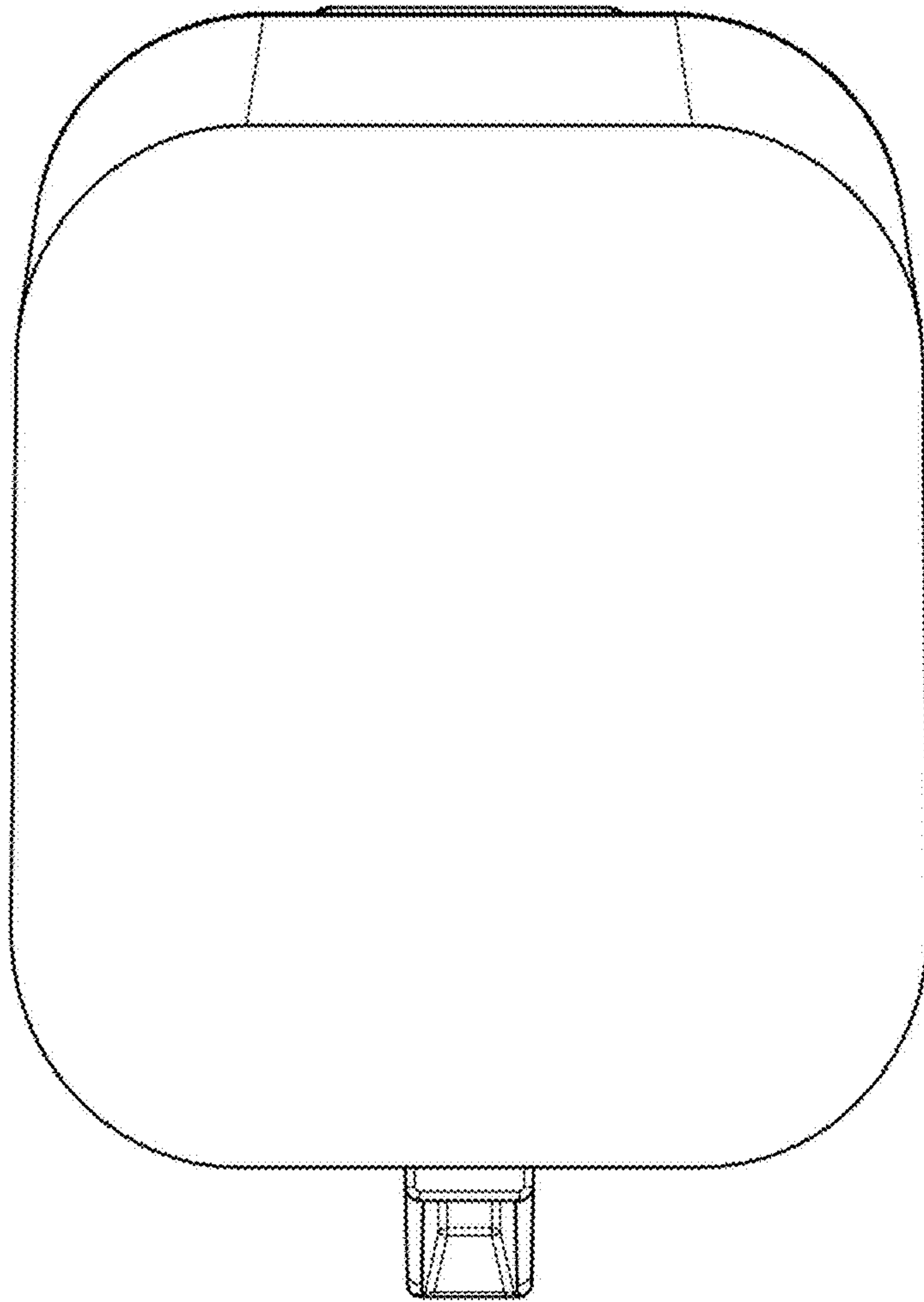
1.3



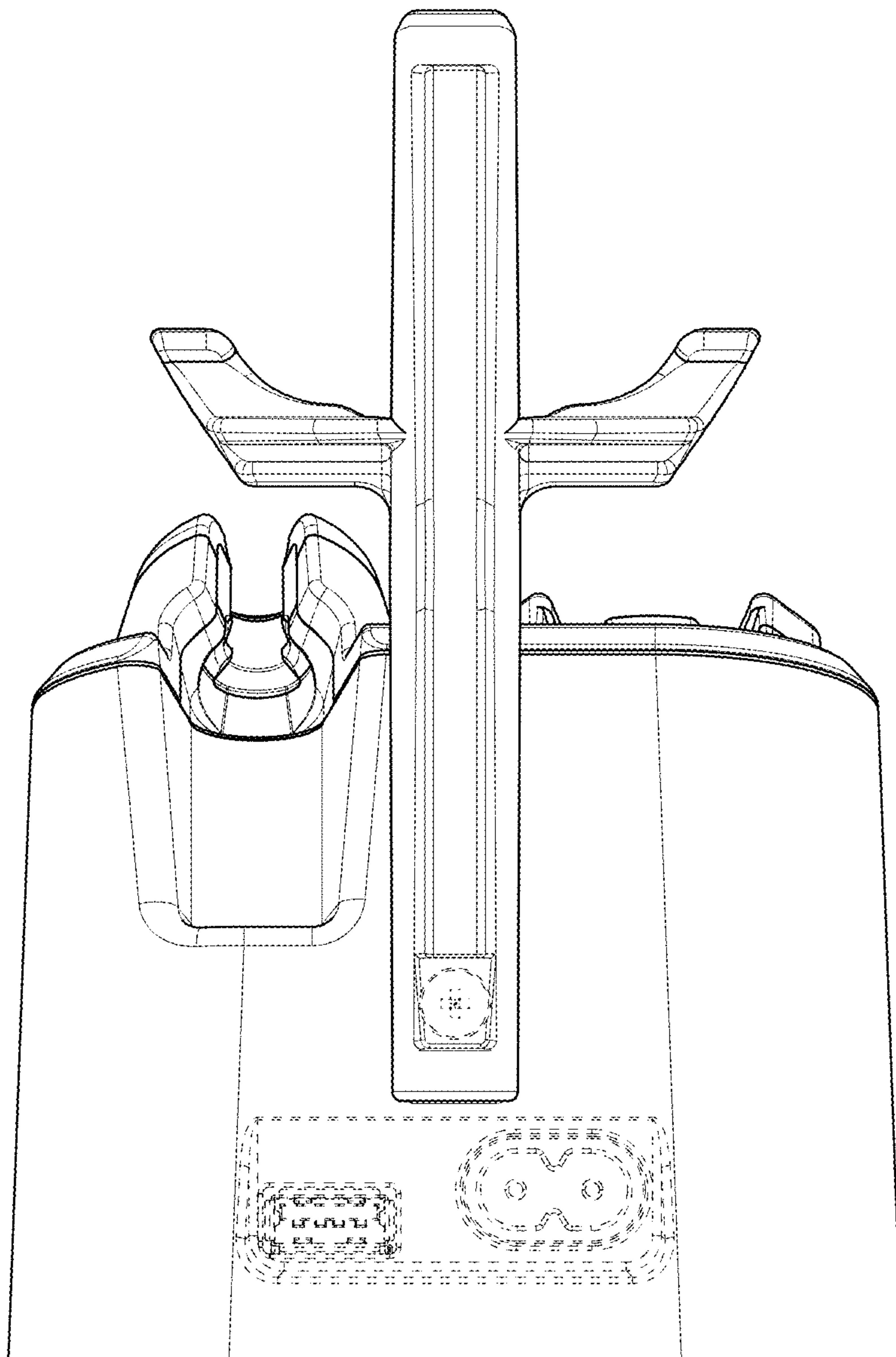
1.4



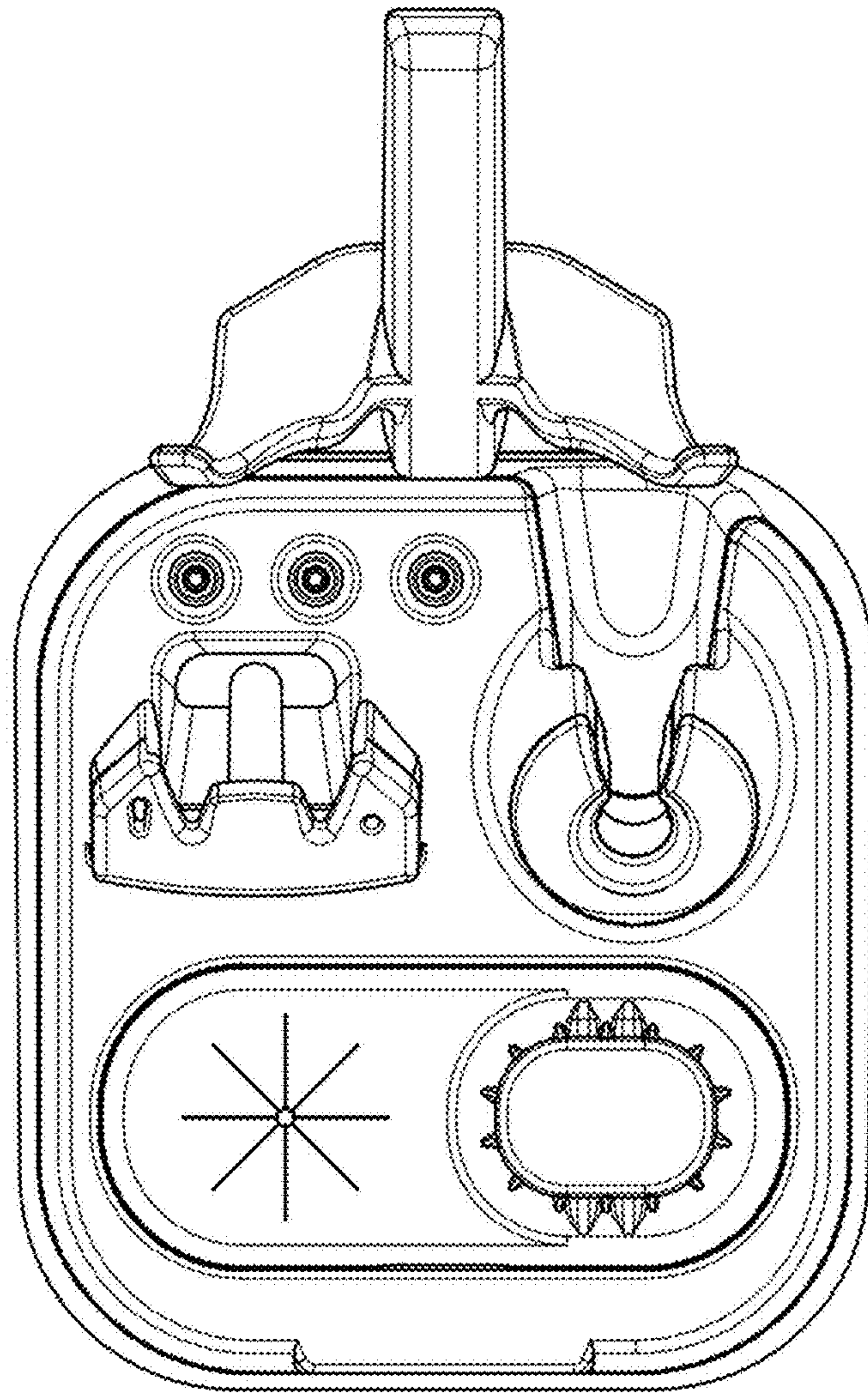
1.5



1.6



1.7



1.8