

US00D969891S

(12) **United States Design Patent**  
**Wey et al.**

(10) **Patent No.:** **US D969,891 S**

(45) **Date of Patent:** **\*\* Nov. 15, 2022**

(54) **DEVICE FOR MELTING GLUE**

(71) Applicant: **Robatech AG**, Muri (CH)

(72) Inventors: **Marcel Wey**, Sarmenstorf (CH); **Urs Mösli**, Winterhur (CH); **Christoph Käppeli**, Merenschwand (CH); **Martin Klinkert**, Besenbüren (CH)

(73) Assignee: **ROBATECH AG**, Muri (CH)

(\*\*) Term: **15 Years**

(21) Appl. No.: **29/774,078**

(22) Filed: **Mar. 14, 2021**

(51) **LOC (13) Cl.** ..... **15-09**

(52) **U.S. Cl.**  
USPC ..... **D15/144**

(58) **Field of Classification Search**  
USPC ..... D8/29.1, 30; D15/144, 144.1, 144.2  
CPC ..... B05C 11/1042; B29B 13/022; B29K 2105/0097; B67D 7/6458

See application file for complete search history.

(56) **References Cited**

U.S. PATENT DOCUMENTS

- 3,876,105 A \* 4/1975 Kelling ..... B29B 13/022  
118/202
- 4,227,069 A \* 10/1980 Gardner ..... B29B 13/022  
219/214
- D269,349 S \* 6/1983 Belter ..... D15/144
- D270,353 S \* 8/1983 Lewellen ..... D15/144
- D276,617 S \* 12/1984 Scholl ..... D15/144
- D282,262 S \* 1/1986 Ramazzotti ..... D15/145
- 4,790,455 A \* 12/1988 Dieringer ..... B29B 13/022  
222/146.2
- D360,422 S \* 7/1995 Frates ..... D15/144
- D388,800 S \* 1/1998 Zook ..... D15/144
- D411,553 S \* 6/1999 Scholl ..... D15/144
- D425,530 S \* 5/2000 Lafitte ..... D15/144
- D452,516 S \* 12/2001 Zook ..... D15/144.2

- 6,540,152 B2 \* 4/2003 Holm ..... B05C 5/0225  
239/71
- D482,376 S \* 11/2003 Jeter ..... D15/144
- D488,177 S \* 4/2004 Dittmann ..... D15/144
- D489,741 S \* 5/2004 Calco ..... D15/144
- D500,063 S \* 12/2004 Jeter ..... D15/144
- D504,694 S \* 5/2005 Dittmann ..... D15/144
- D556,798 S \* 12/2007 Franco ..... D15/144
- D562,368 S \* 2/2008 Byerly ..... D15/144
- D611,515 S \* 3/2010 Chastine ..... D15/144
- D691,184 S \* 10/2013 Clark ..... D15/144.2
- D777,231 S \* 1/2017 Ide ..... D15/144
- D815,674 S \* 4/2018 Mößnang ..... D15/144
- 2003/0180035 A1 \* 9/2003 Jamison ..... B05C 11/1042  
392/471

\* cited by examiner

*Primary Examiner* — Patricia A Palasik

(74) *Attorney, Agent, or Firm* — Christopher C. Dremann, P.C.; Christopher C. Dremann

(57) **CLAIM**

The ornamental design for a device for melting glue, as shown and described.

**DESCRIPTION**

FIG. 1 is a perspective view of a device for melting glue according to our design;

FIG. 2 is a front view of the device for melting glue of FIG. 1;

FIG. 3 is a rear view of the device for melting glue of FIG. 1;

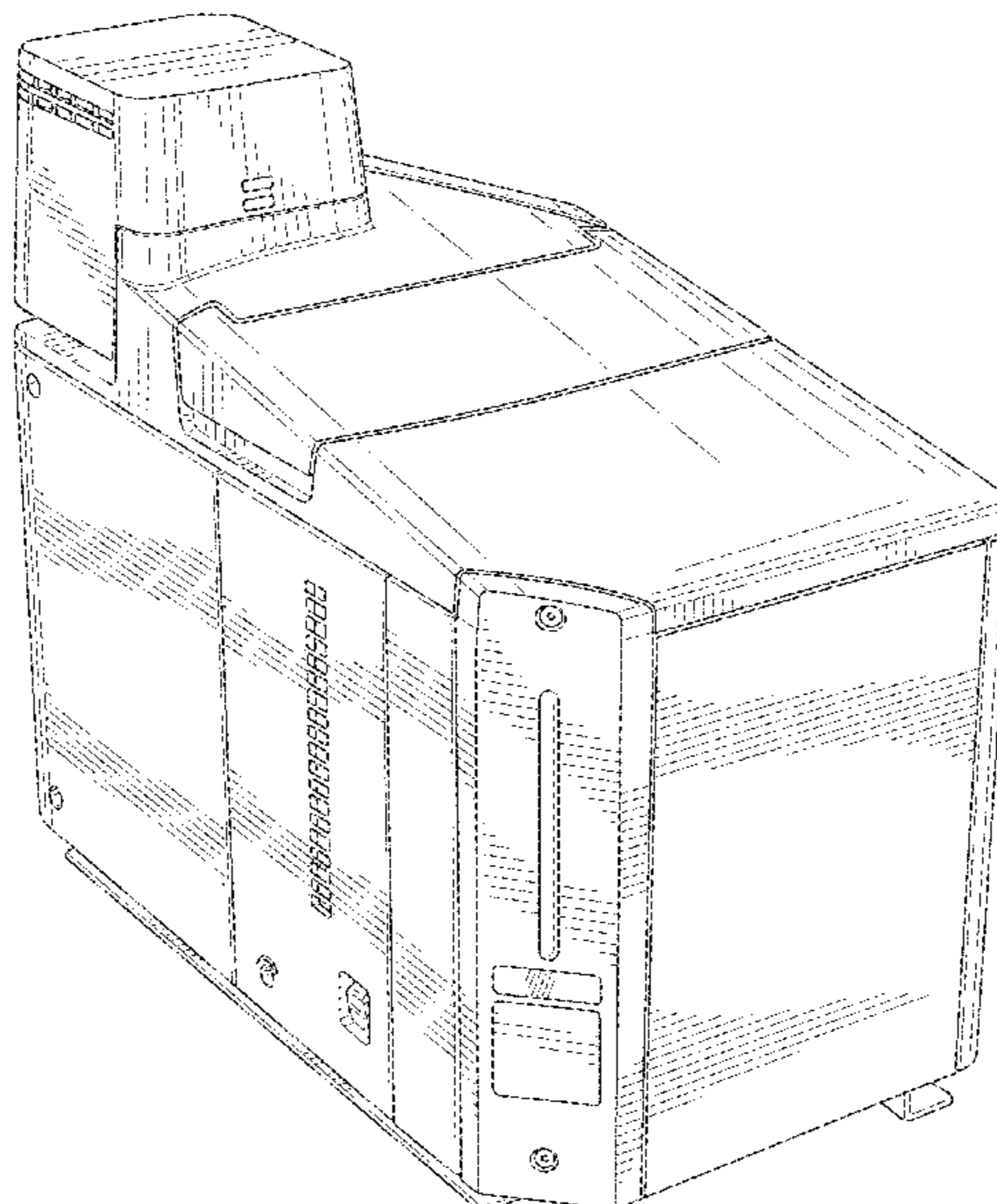
FIG. 4 is a left side view of the device for melting glue of FIG. 1;

FIG. 5 is a right side view of the device for melting glue of FIG. 1;

FIG. 6 is a top view of the device for melting glue of FIG. 1; and,

FIG. 7 is a bottom view of the device for melting glue of FIG. 1.

**1 Claim, 7 Drawing Sheets**



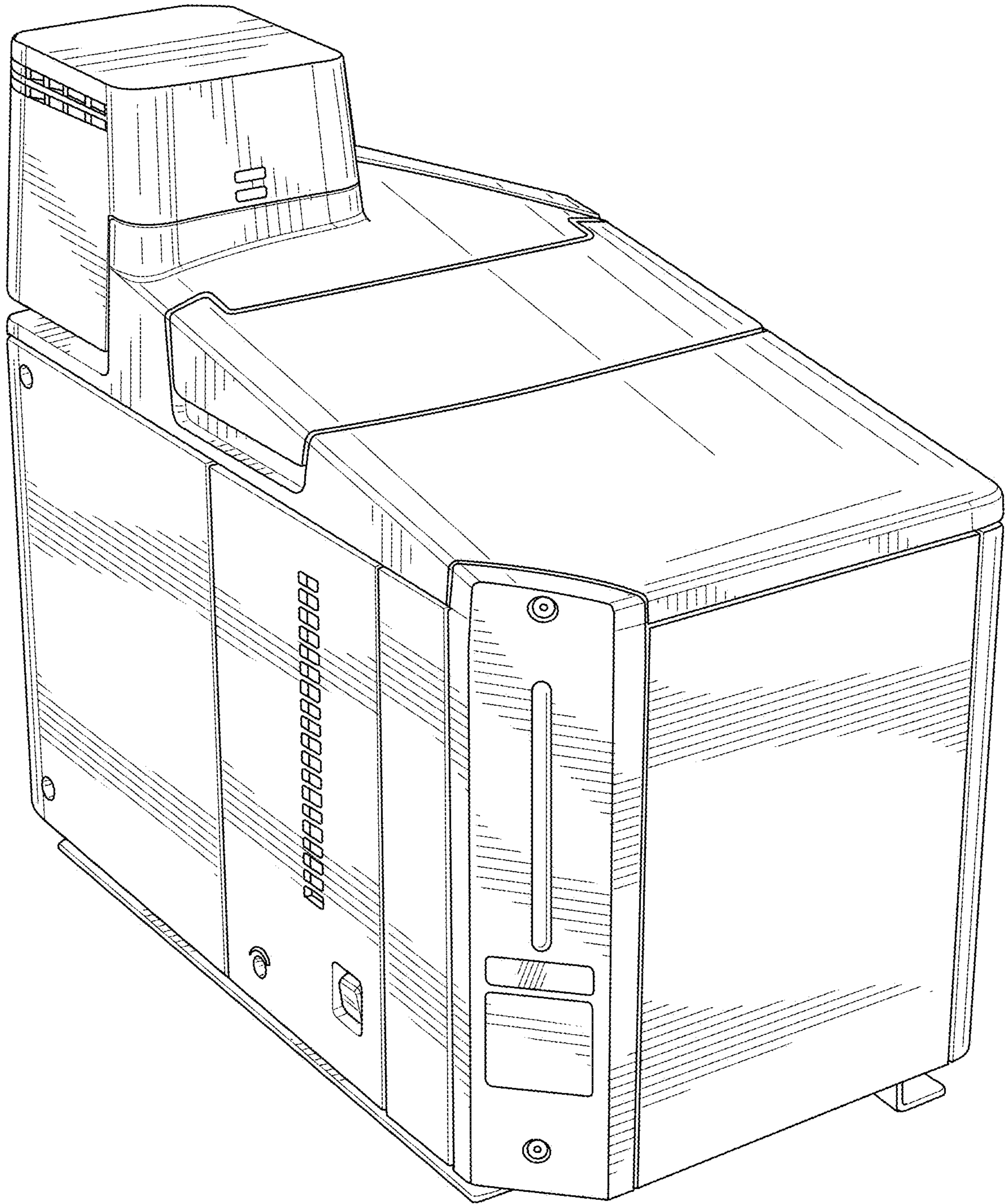


FIG. 1

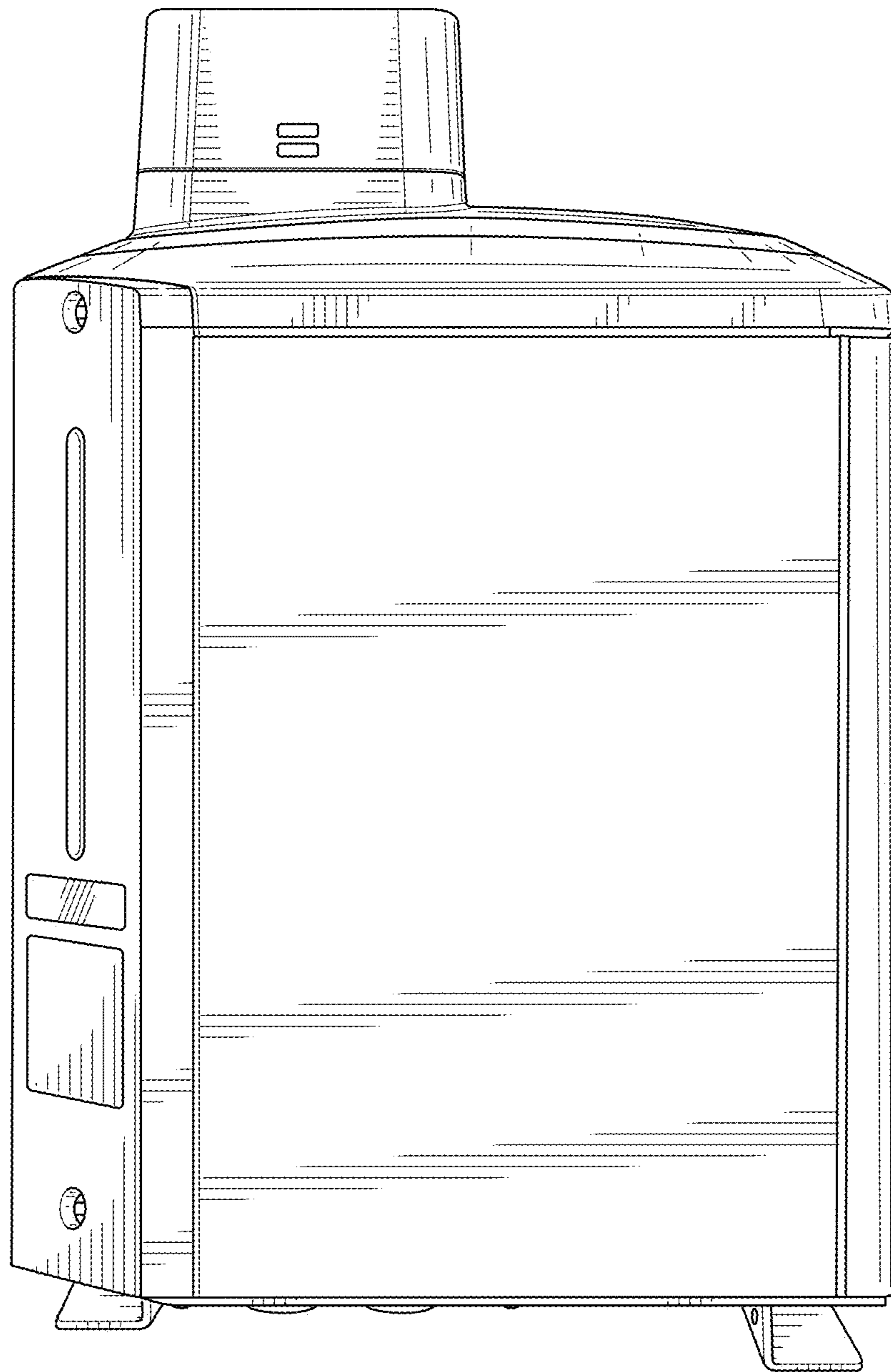


FIG. 2

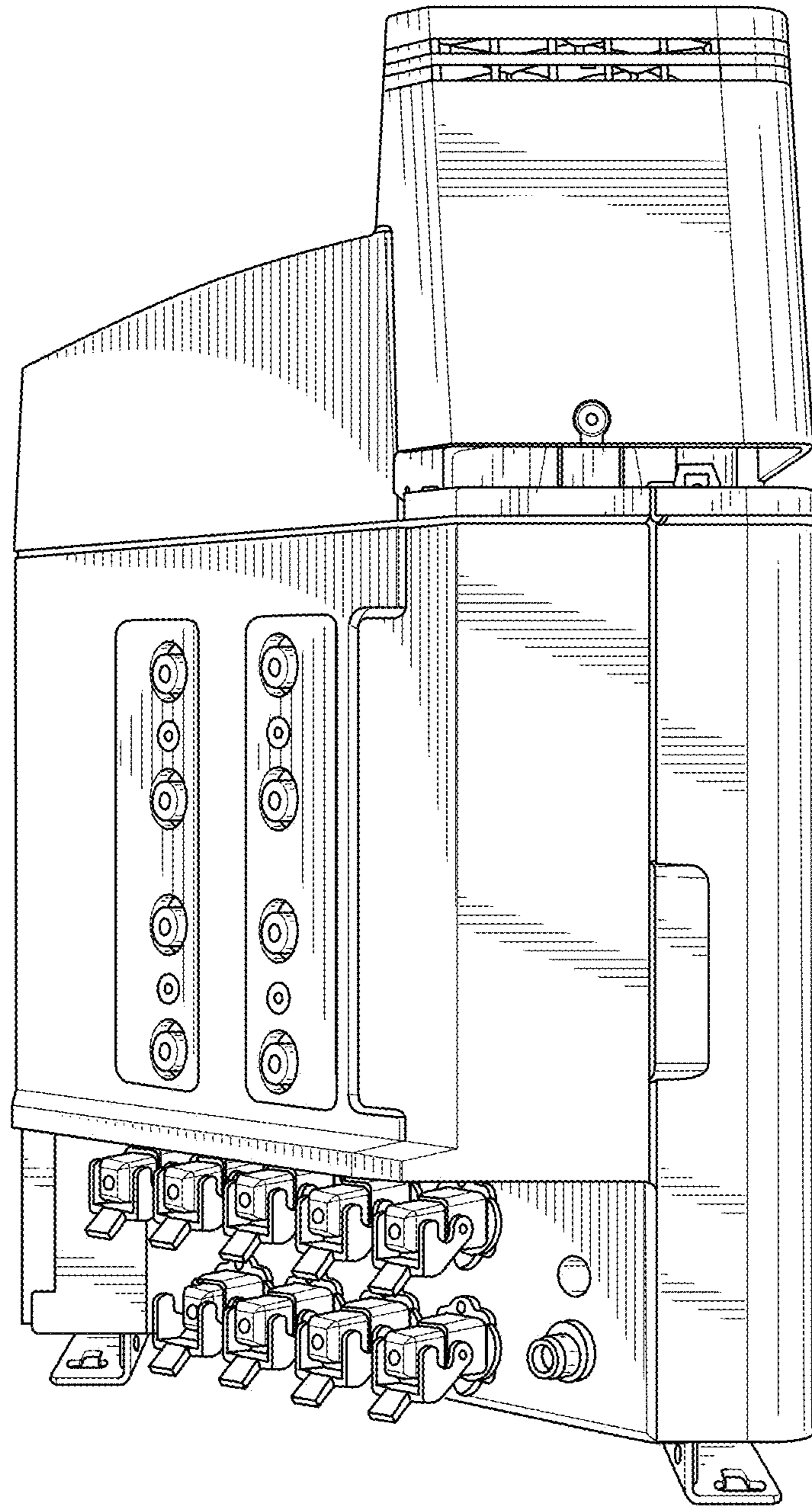


FIG. 3

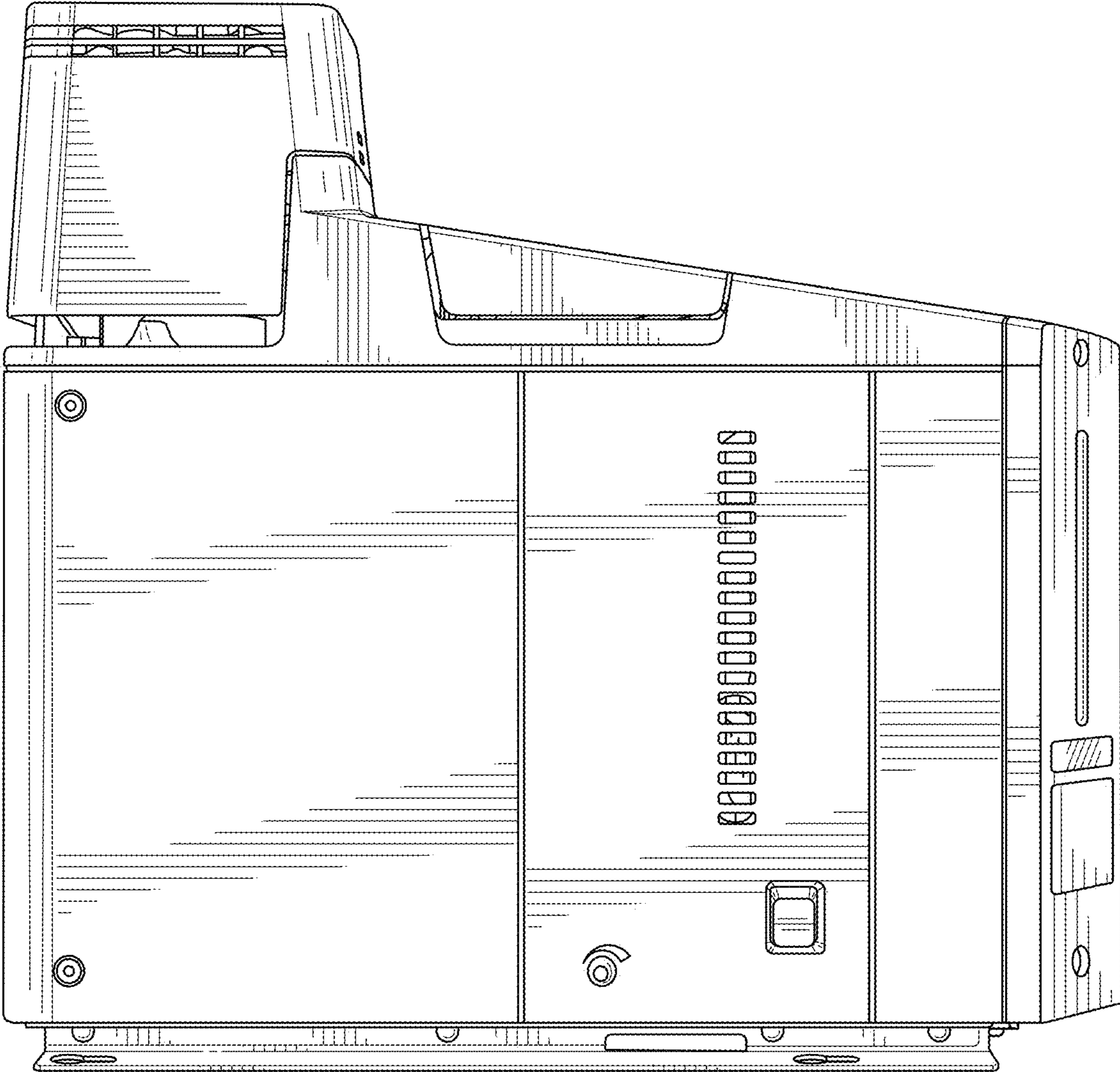


FIG. 4

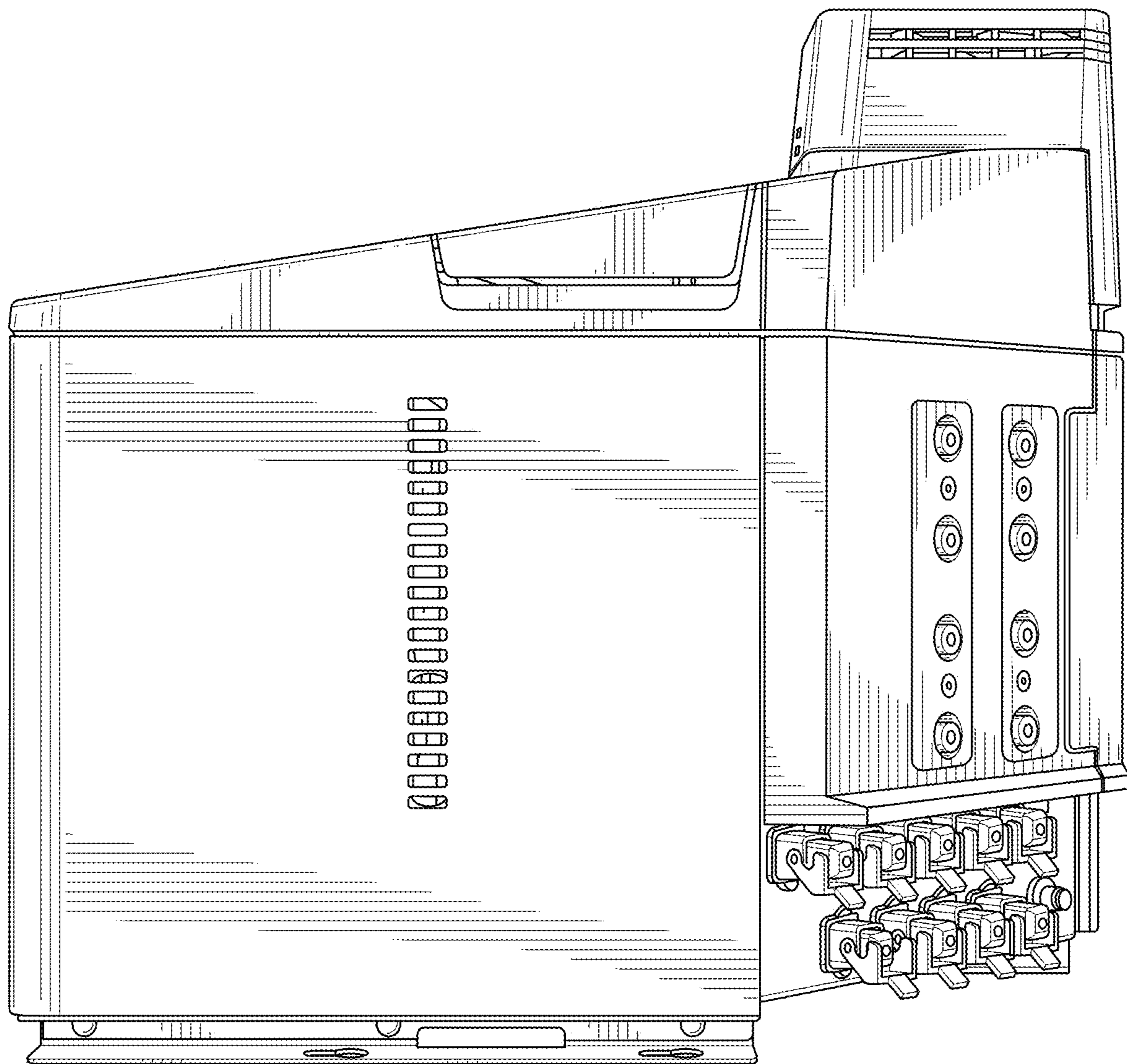


FIG. 5

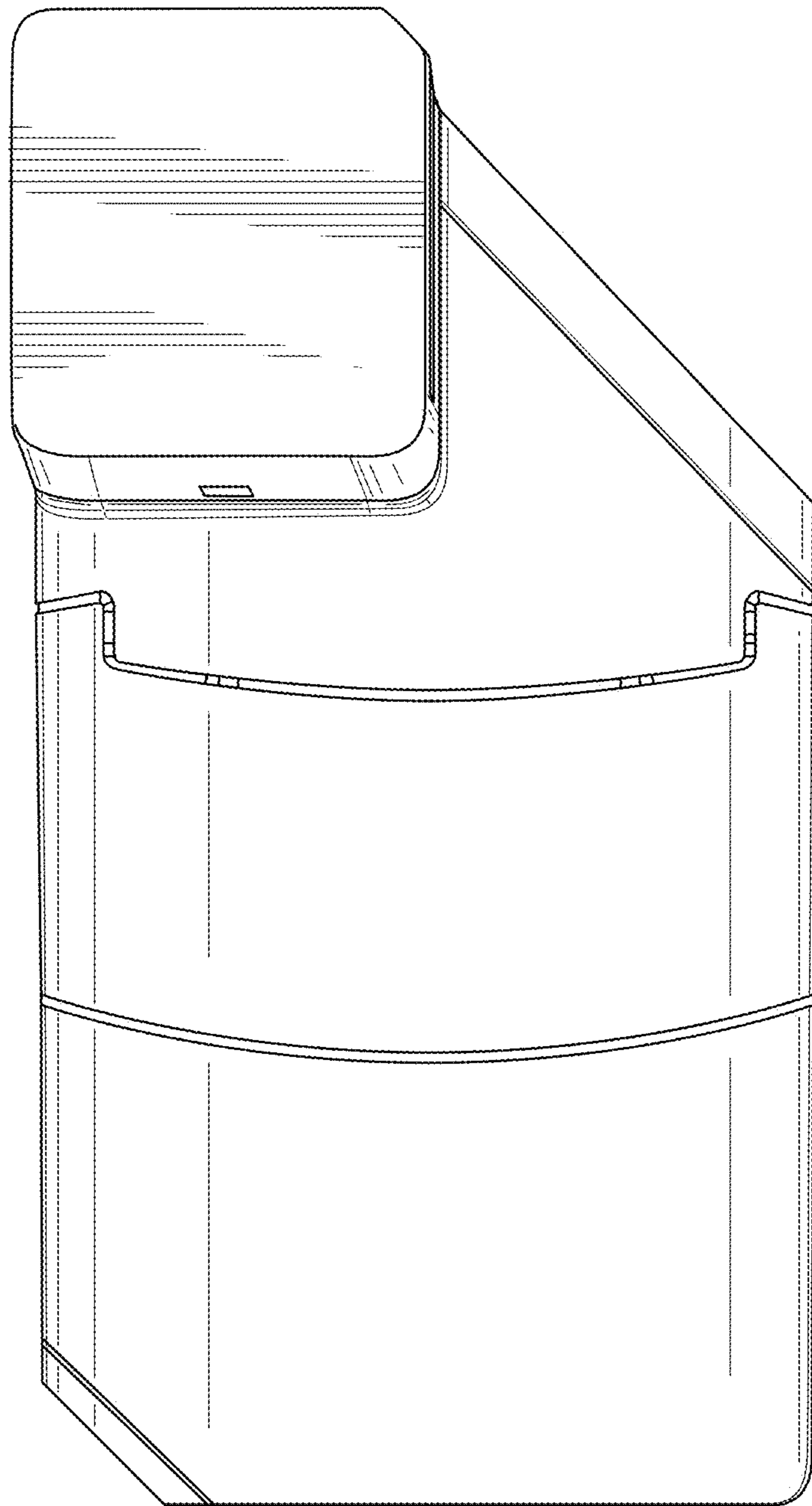


FIG. 6

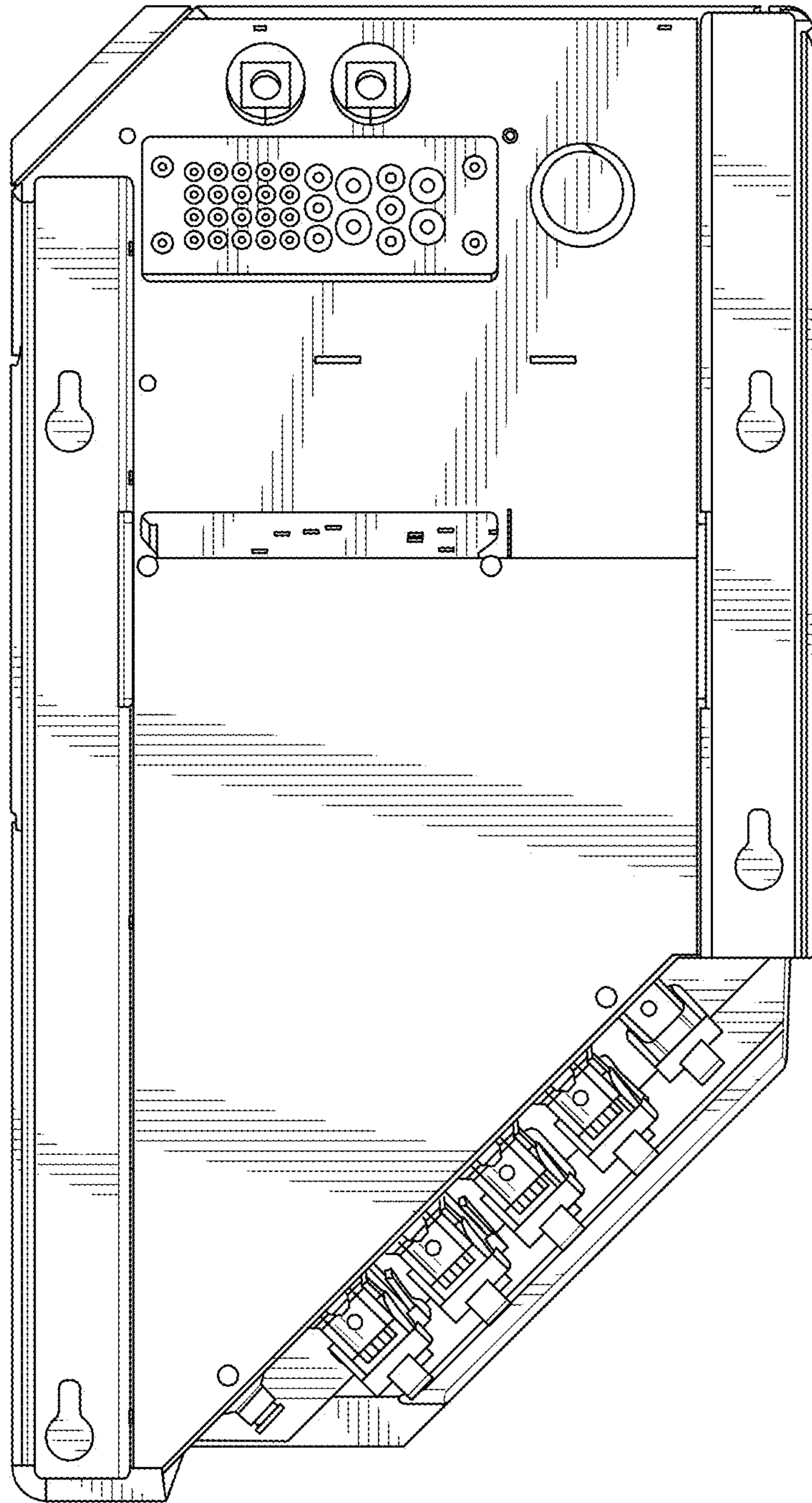


FIG. 7