



US00D969890S

(12) **United States Design Patent** (10) **Patent No.:** **US D969,890 S**
Mills (45) **Date of Patent:** **** Nov. 15, 2022**

- (54) **MILLING BIT**
- (71) Applicant: **China Pacificarbide, Inc.**, Chino, CA (US)
- (72) Inventor: **Ronald D. Mills**, Anaheim Hills, CA (US)
- (73) Assignee: **China Pacificarbide, Inc.**, Chino, CA (US)
- (**) Term: **15 Years**
- (21) Appl. No.: **29/809,221**
- (22) Filed: **Sep. 27, 2021**

7,469,756 B2	12/2008	Hall et al.	
7,665,552 B2	2/2010	Hall et al.	
7,669,674 B2	3/2010	Hall et al.	
7,740,414 B2	6/2010	Hall et al.	
D640,291 S *	6/2011	Stellman	D15/21
8,028,774 B2	10/2011	Hall et al.	
D674,422 S *	1/2013	Hall	D15/139
D724,636 S *	3/2015	Jones	D15/131
D808,449 S *	1/2018	Buhr	D15/139
D819,098 S *	5/2018	Buhr	E21C 35/18
			D15/139
D828,415 S *	9/2018	Ota	D15/139
D828,416 S *	9/2018	Ota	D15/139
10,107,097 B1	10/2018	Sollami	
D839,936 S *	2/2019	Weber	D15/139

(Continued)

Related U.S. Application Data

- (63) Continuation of application No. 29/733,099, filed on Apr. 29, 2020, now Pat. No. Des. 934,318.
- (51) **LOC (13) Cl.** **15-09**
- (52) **U.S. Cl.**
USPC **D15/139**
- (58) **Field of Classification Search**
USPC D8/68-70, 385, 395; D15/19, 21, D15/131-133, 138, 139
CPC E21B 10/48; E21B 29/00; E21B 29/06
See application file for complete search history.

References Cited

U.S. PATENT DOCUMENTS

- (56) 4,660,890 A * 4/1987 Mills E21C 35/18 29/520
- 4,823,454 A * 4/1989 Mills E21C 35/18 29/437
- 4,932,723 A * 6/1990 Mills E21C 35/183 299/104
- 6,196,636 B1 * 3/2001 Mills E21C 35/183 299/111
- 7,353,893 B1 4/2008 Hall et al.
- 7,384,105 B2 6/2008 Hall et al.

OTHER PUBLICATIONS

Kennametal Inc., "Road King Extreme—Introducing the Next General High-Performance Road Milling Tool—Kennametal Road King Extreme," 2017, 1 page.

Primary Examiner — Michael C Stout
Assistant Examiner — Fritzgerald L Butac
(74) *Attorney, Agent, or Firm* — Boardman & Clark LLP

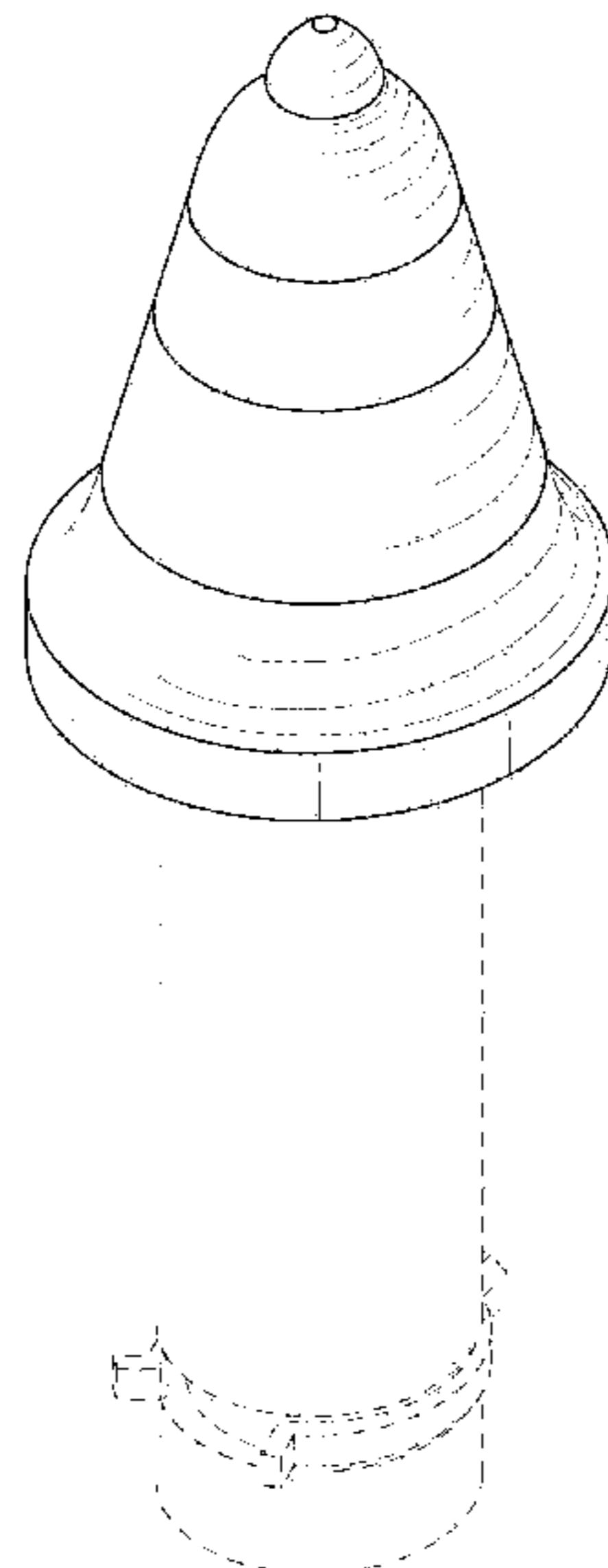
(57) **CLAIM**

The ornamental design for a milling bit, as shown and described.

DESCRIPTION

FIG. 1 is a perspective view of the ornamental design a milling bit;
FIG. 2 is a first side elevation view thereof;
FIG. 3 is a second side elevation thereof;
FIG. 4 is a third side elevation thereof;
FIG. 5 is a top view thereof; and,
FIG. 6 is a bottom view thereof.
The broken lines show portions of a milling bit that form no part of the claimed design.

1 Claim, 4 Drawing Sheets



(56)

References Cited

U.S. PATENT DOCUMENTS

D878,439 S * 3/2020 Chen D15/139
10,794,181 B2 10/2020 Sollami

* cited by examiner

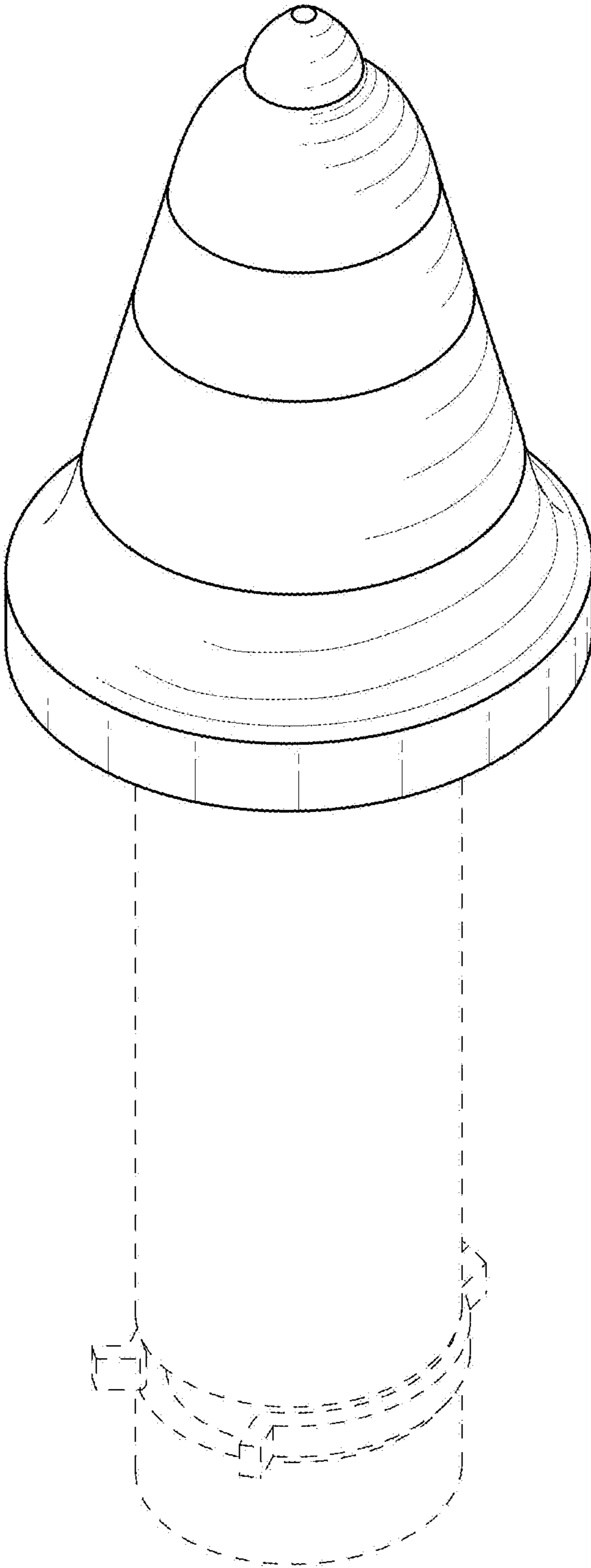


FIG. 1

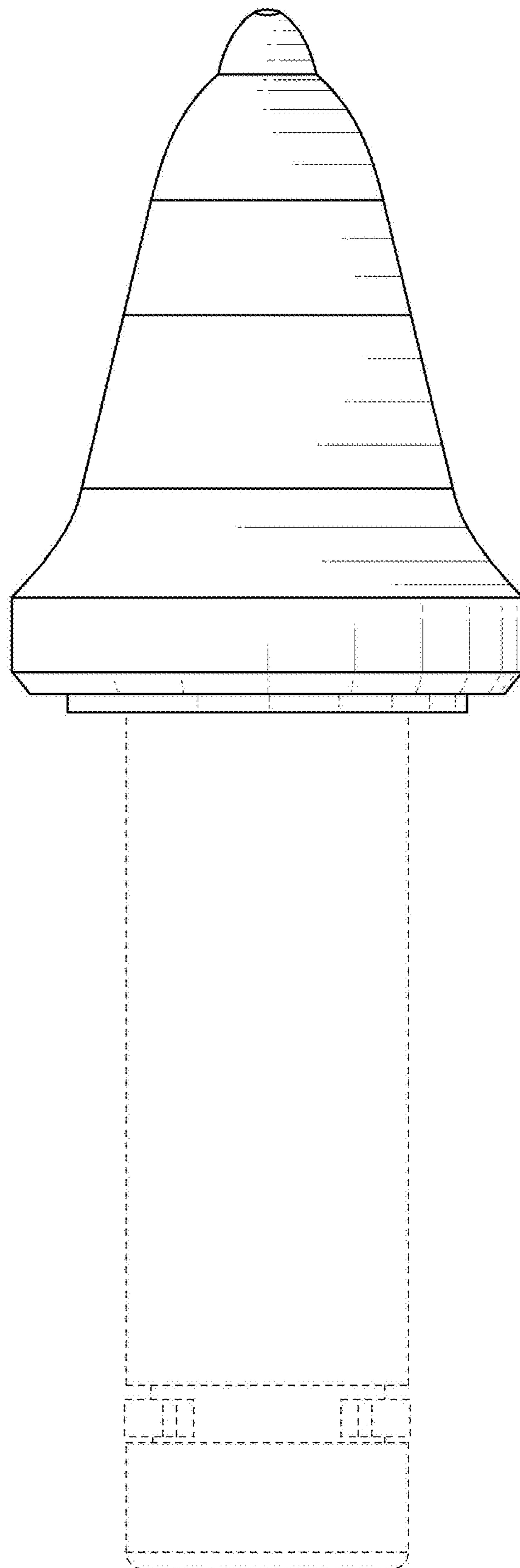


FIG. 2

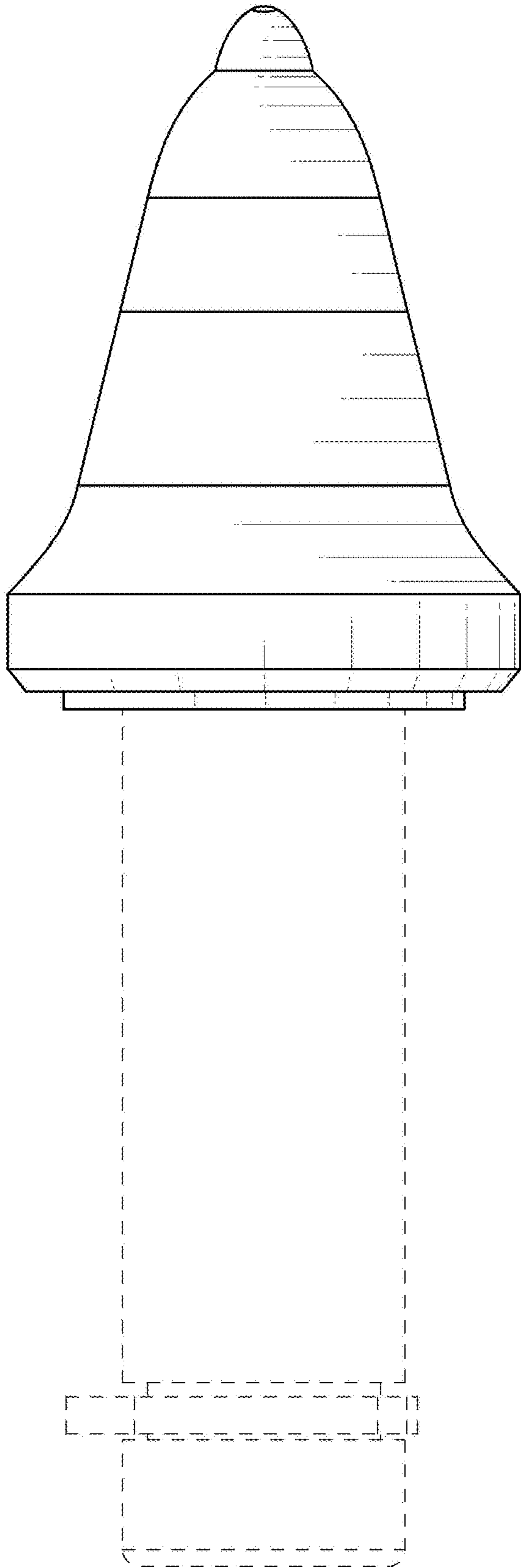


FIG. 3

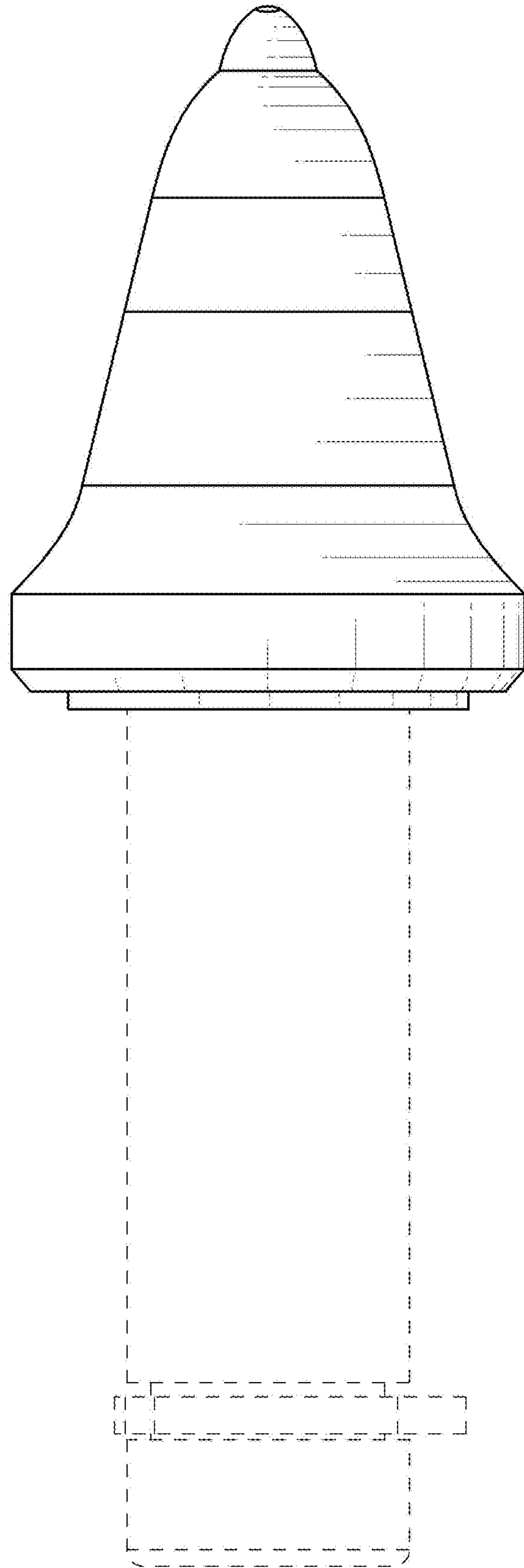


FIG. 4

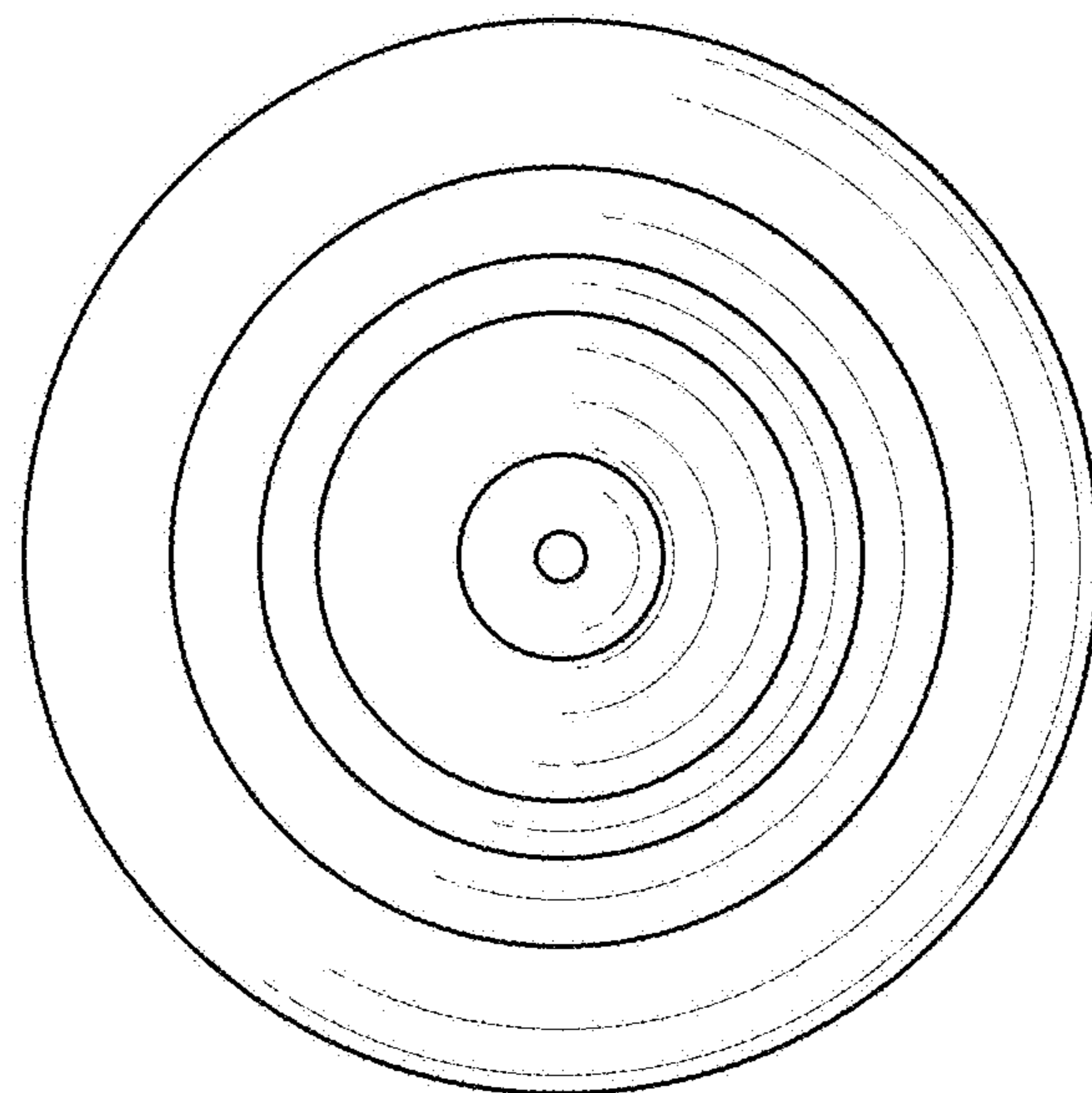


FIG. 5

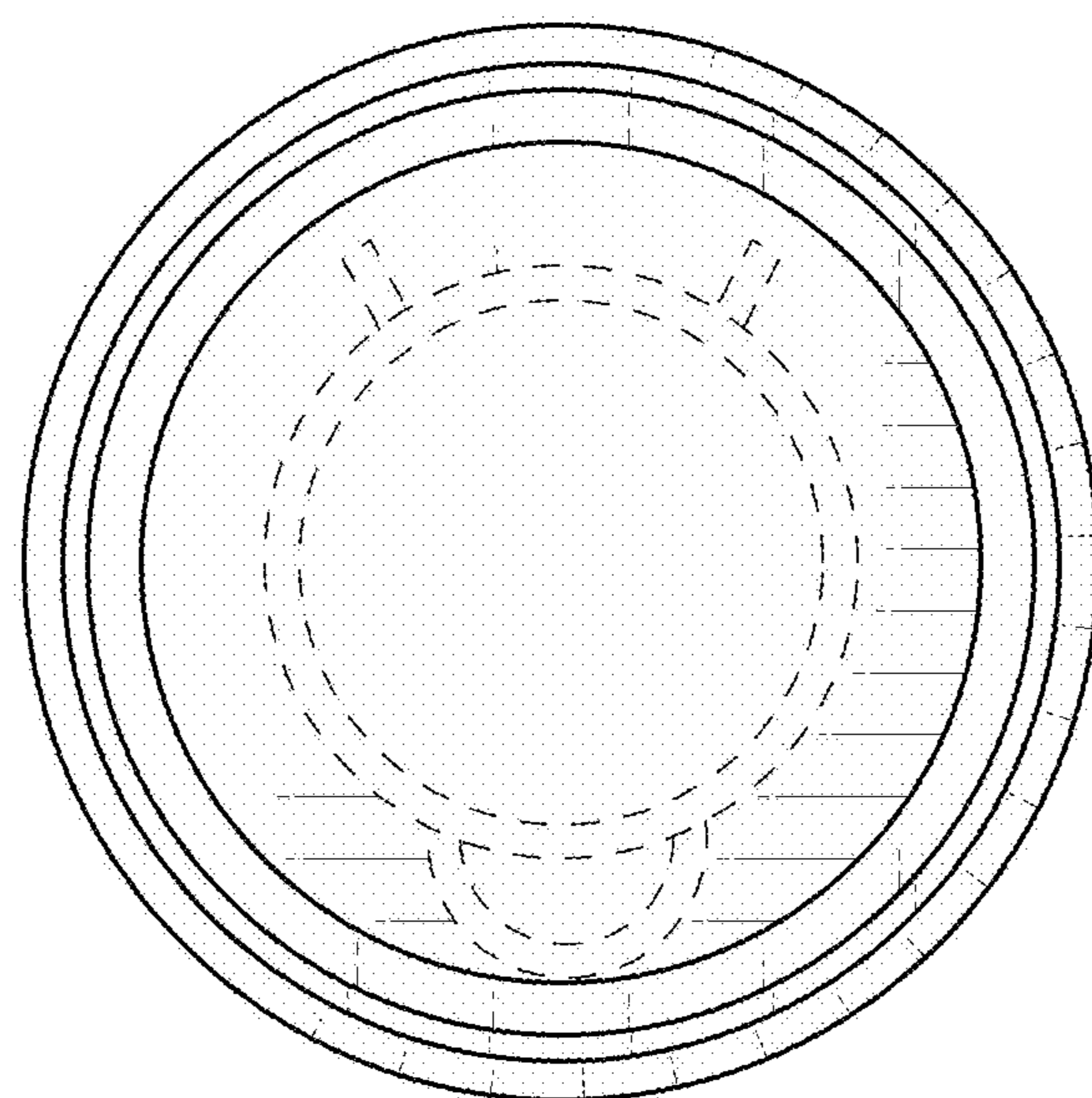


FIG. 6