



US00D969889S

(12) **United States Design Patent**
Cigarini

(10) **Patent No.:** **US D969,889 S**

(45) **Date of Patent:** **** Nov. 15, 2022**

- (54) **SHARPENING MACHINE**
- (71) Applicant: **TECOMEC S.R.L.**, Reggio Emilia (IT)
- (72) Inventor: **Enrico Cigarini**, Reggio Emilia (IT)
- (73) Assignee: **TECOMEC S.R.L.**, Reggio Emilia (IT)
- (**) Term: **15 Years**

4,559,851 A * 12/1985 Simington B24B 27/04
76/80.5

4,617,763 A 10/1986 Edling
4,658,677 A 4/1987 Lusetti et al.
4,732,056 A * 3/1988 Foster B23D 63/16
451/72

4,762,027 A 8/1988 Fagiolini et al.
(Continued)

- (21) Appl. No.: **29/734,509**
- (22) Filed: **May 13, 2020**

FOREIGN PATENT DOCUMENTS

EP 2067558 A1 6/2009

(30) **Foreign Application Priority Data**

Dec. 13, 2019 (EM) 007388053-0001

- (51) **LOC (13) Cl.** **15-09**
- (52) **U.S. Cl.**
USPC **D15/125**

- (58) **Field of Classification Search**
USPC D8/63, 61, 91; D15/124-127, 133, 199
CPC .. B24B 3/247; B24B 3/30; B24B 3/58; B24B
41/066; B24B 9/167; B23D 63/16; B23D
63/005; B23D 63/166; B23D 63/10;
B23D 63/12; B23D 63/14; B23D 63/164
See application file for complete search history.

Tineye.com, Tineye Chainsaw Sharpener, Jul. 29, 2017, [online][ac-
cessed May 13, 2022]<url:https://tineye.com/search/
7fff025d84ddcfac61c4c45c081b3c161f17871a?sort=score&order=
desc&page=1> (Year: 2017).*

(Continued)

Primary Examiner — Nathaniel D. Buckner
(74) *Attorney, Agent, or Firm* — Pearne & Gordon LLP

(57) **CLAIM**

The ornamental design for a sharpening machine, as shown and described.

(56) **References Cited**

U.S. PATENT DOCUMENTS

2,780,897 A 2/1957 Albert
2,792,724 A 5/1957 Hugh
3,071,026 A 1/1963 De Witt
3,592,085 A * 7/1971 Arneson B23D 63/164
76/80.5

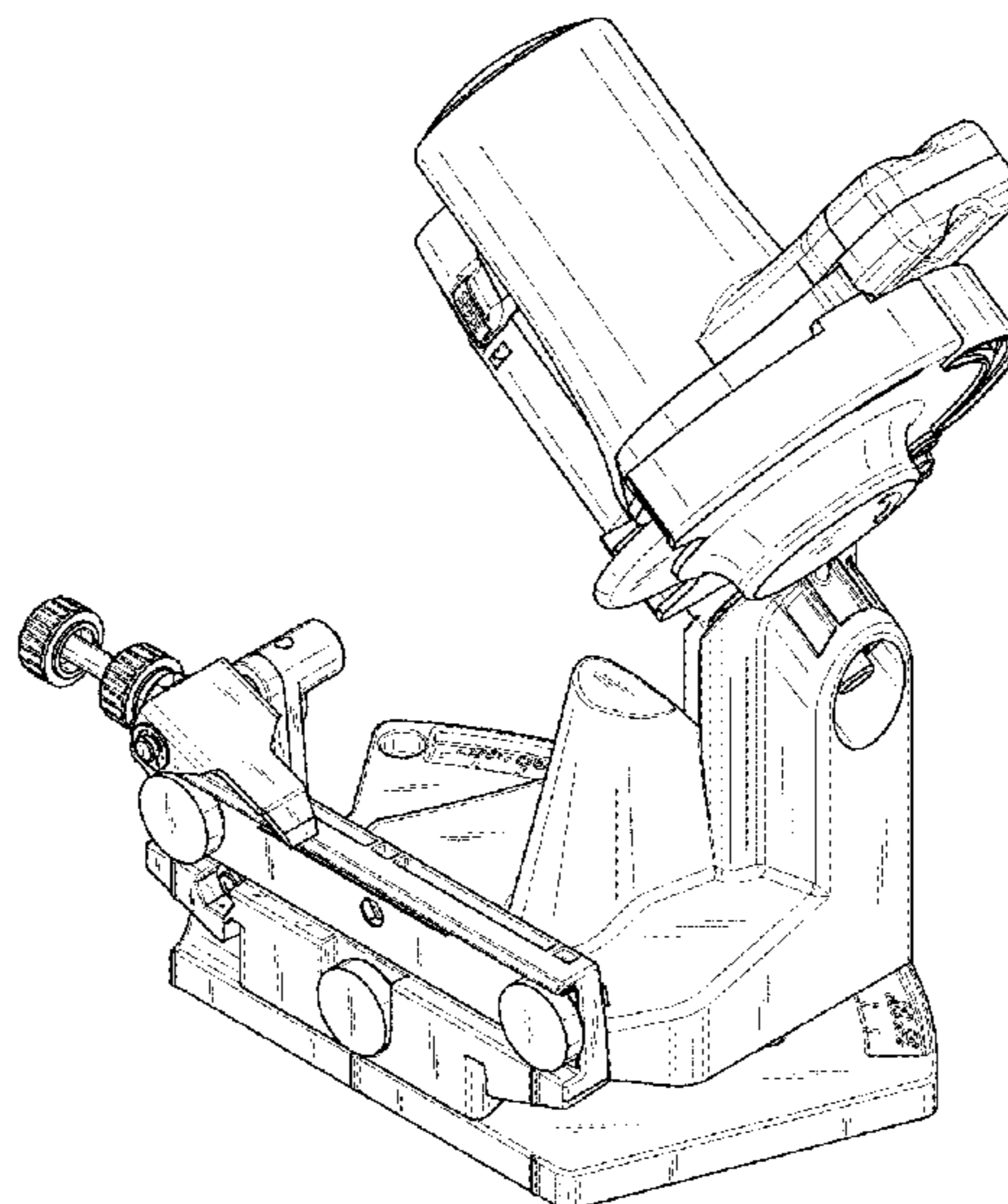
3,779,103 A 12/1973 Silvey
3,877,324 A 4/1975 Silvey
4,319,502 A * 3/1982 Smith B23D 63/166
76/80.5

4,416,169 A 11/1983 Silvey
4,463,630 A 8/1984 Turner
4,471,581 A * 9/1984 Bernard B24B 3/247
451/376

DESCRIPTION

FIG. 1 is a perspective view of a sharpening machine, showing the new design;
FIG. 2 is a front view thereof;
FIG. 3 is a right side view thereof;
FIG. 4 is a back view thereof;
FIG. 5 is a left side view thereof;
FIG. 6 is a top view thereof; and,
FIG. 7 is a bottom view thereof.
The broken lines in the figures depict portions of the sharpening machine which form no part of the claimed design.

1 Claim, 4 Drawing Sheets



(56)

References Cited

U.S. PATENT DOCUMENTS

4,836,058 A 6/1989 Shepherd
 5,117,713 A 6/1992 Markusson
 5,257,563 A * 11/1993 Hutchinson B23D 63/10
 76/80.5
 5,400,546 A 3/1995 Christian et al.
 D366,662 S 1/1996 Haffely et al.
 5,525,095 A 6/1996 Baughman
 5,649,853 A 7/1997 Kuo
 D385,567 S * 10/1997 Bernard D15/125
 6,161,453 A 12/2000 Hensley
 D458,617 S 6/2002 Wang
 7,121,932 B2 10/2006 Liao
 7,175,512 B2 2/2007 Huntington et al.
 D559,872 S 1/2008 Pfaff
 D568,132 S 5/2008 Heun
 7,473,163 B1 * 1/2009 Lee B24B 3/02
 451/48
 D594,887 S 6/2009 Cigarini
 D594,888 S 6/2009 Cigarini
 D595,318 S 6/2009 Cigarini

8,696,407 B2 4/2014 Dovel
 D723,895 S 3/2015 Dovel
 D730,137 S 5/2015 Onion et al.
 D756,737 S 5/2016 Cigarini
 D757,514 S 5/2016 Cigarini
 D758,156 S * 6/2016 Scilli D8/63
 9,630,288 B2 * 4/2017 Lin B24B 5/04
 D837,270 S * 1/2019 Myers D15/125
 10,265,788 B2 * 4/2019 Lynn B23D 63/166
 D851,692 S 6/2019 Cigarini et al.
 11,117,205 B2 * 9/2021 Cigarini B23D 63/166
 2002/0045404 A1 4/2002 Cantoro
 2005/0183545 A1 8/2005 Huntington et al.
 2007/0167121 A1 7/2007 Cendak
 2008/0028048 A1 1/2008 Shekar CS et al.
 2008/0280548 A1 11/2008 Wilson
 2017/0232537 A1 8/2017 Lynn

OTHER PUBLICATIONS

Tecomec S.R.L., "Sharp Master", May 14, 2018, pp. a-b,1-70.

* cited by examiner

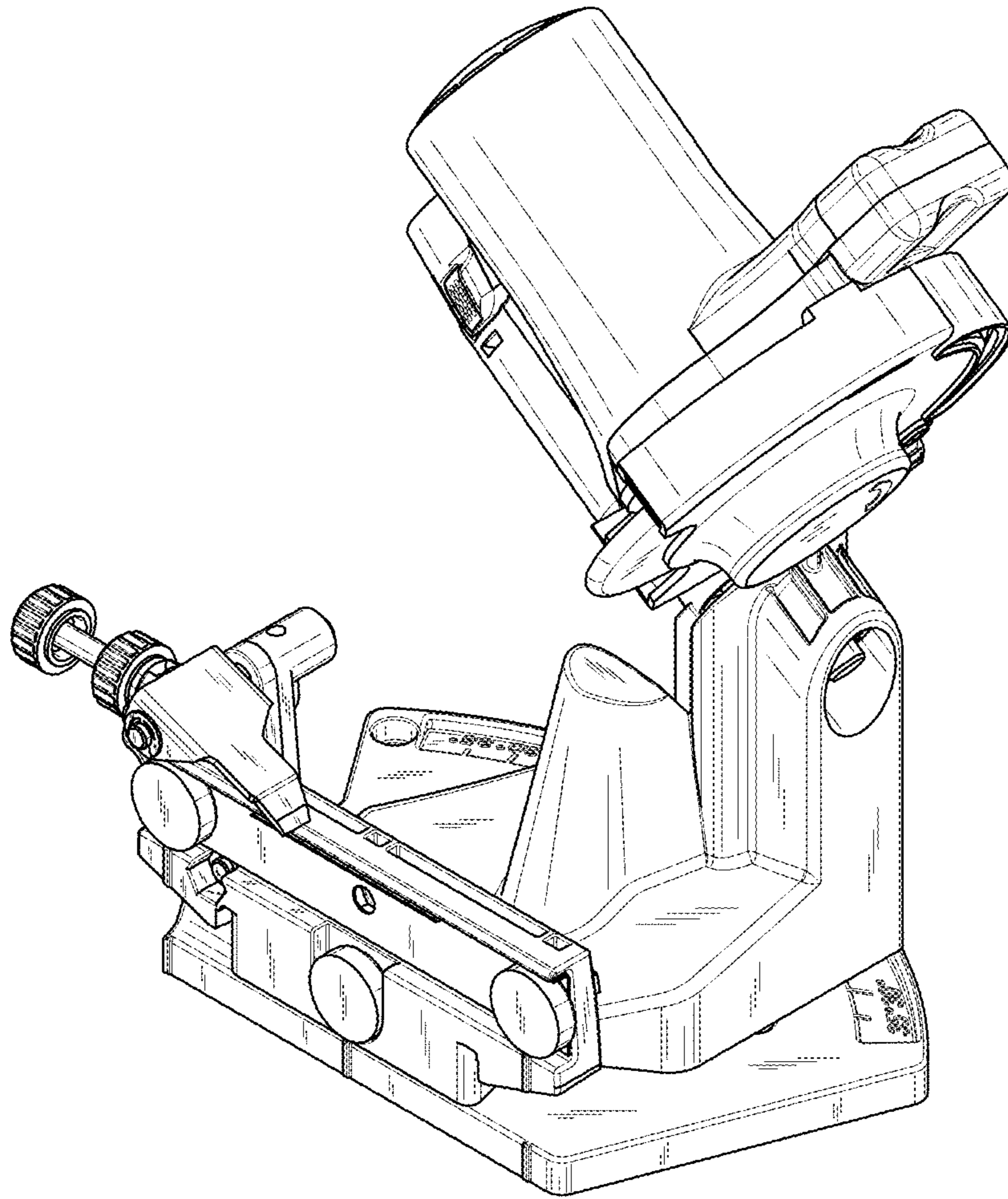


Fig.1

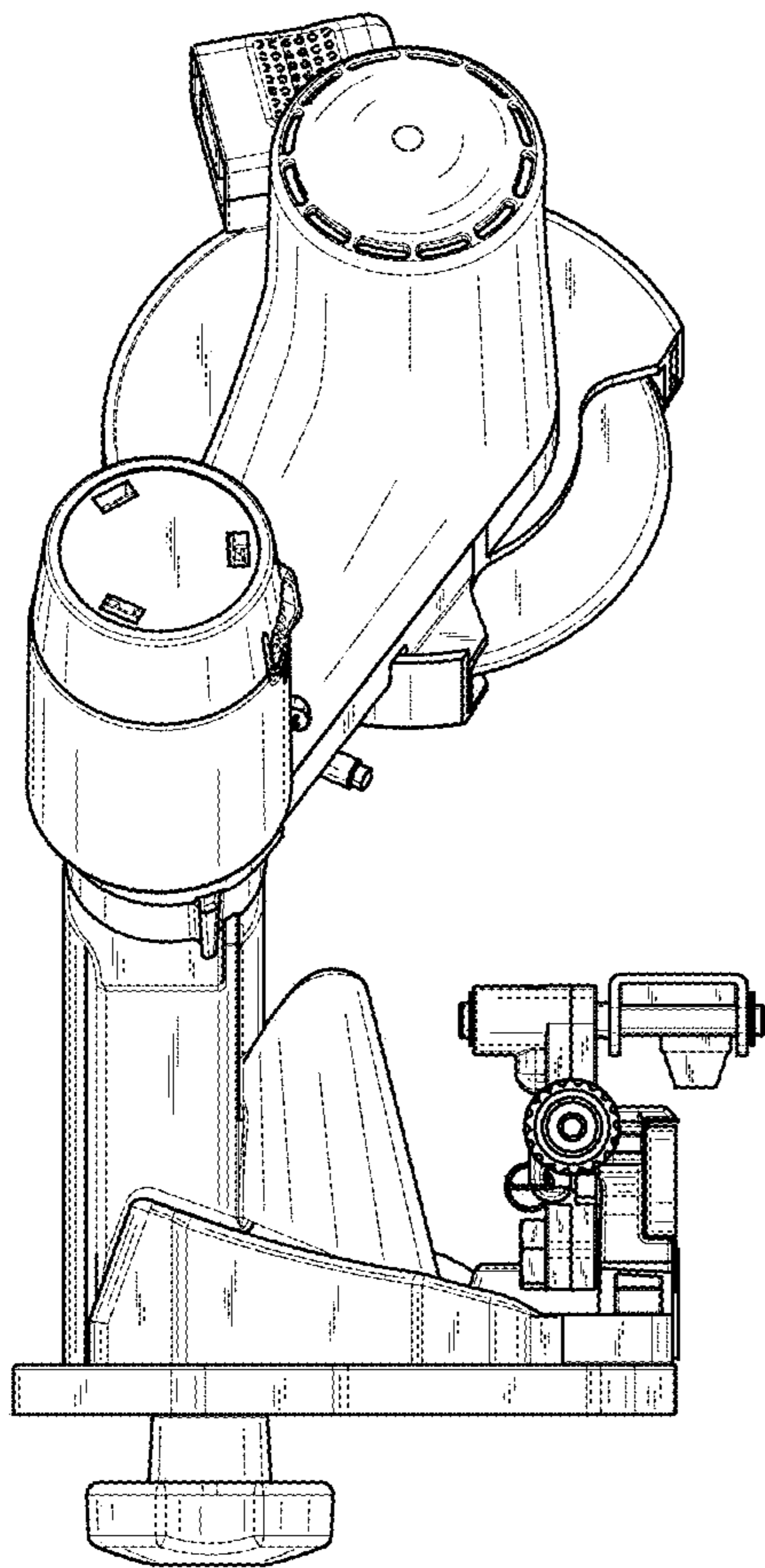


Fig.2

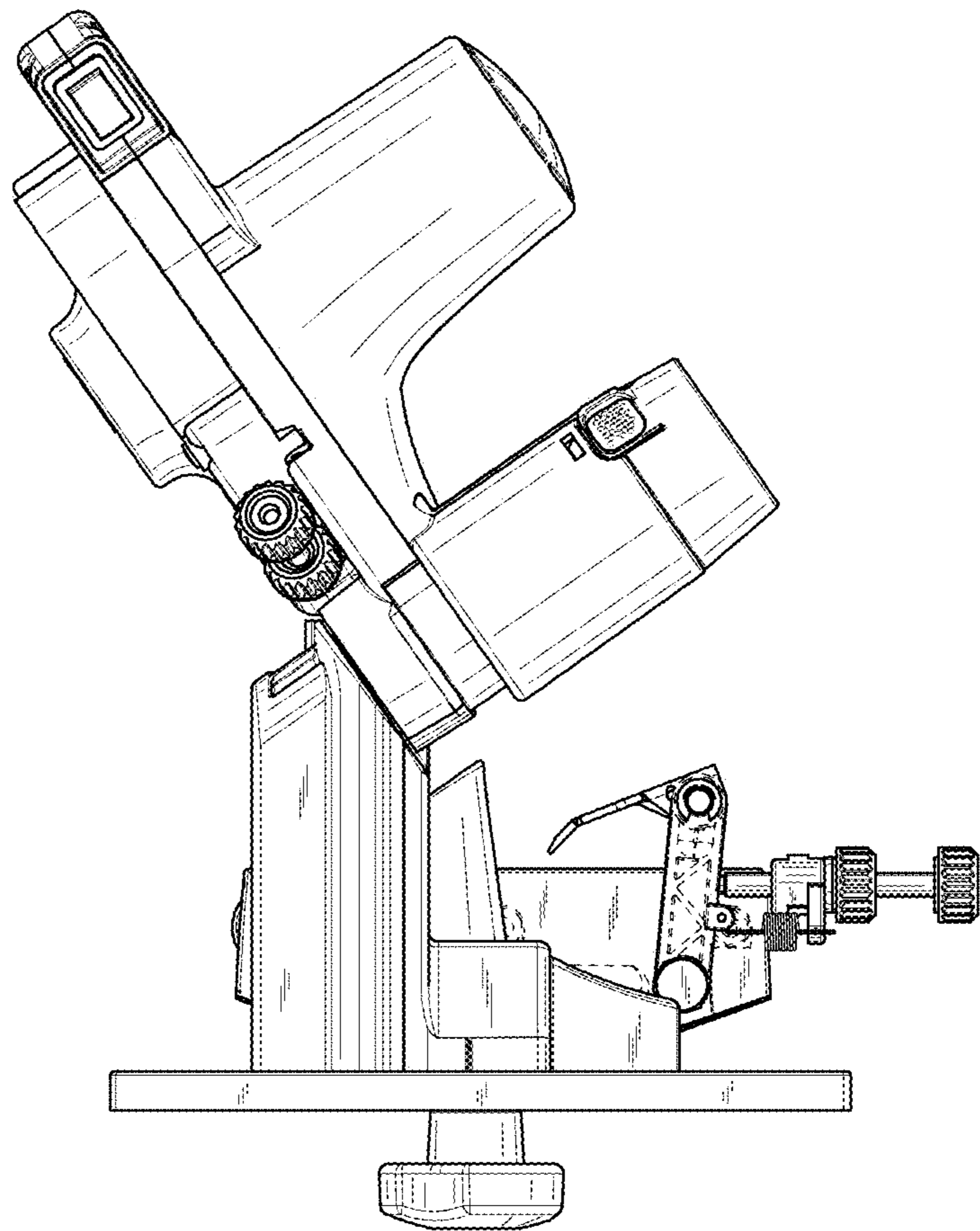


Fig.3

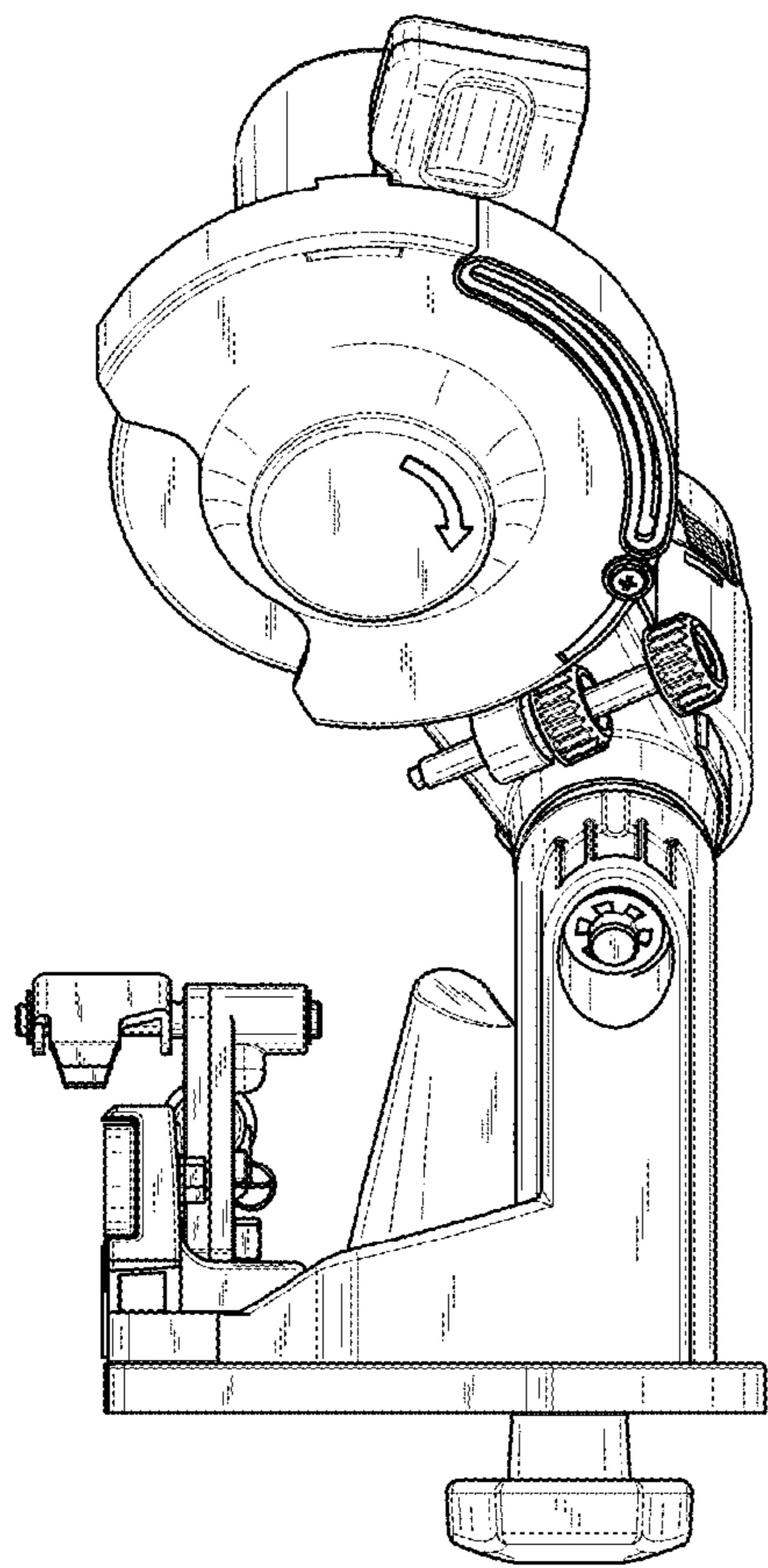


Fig.4

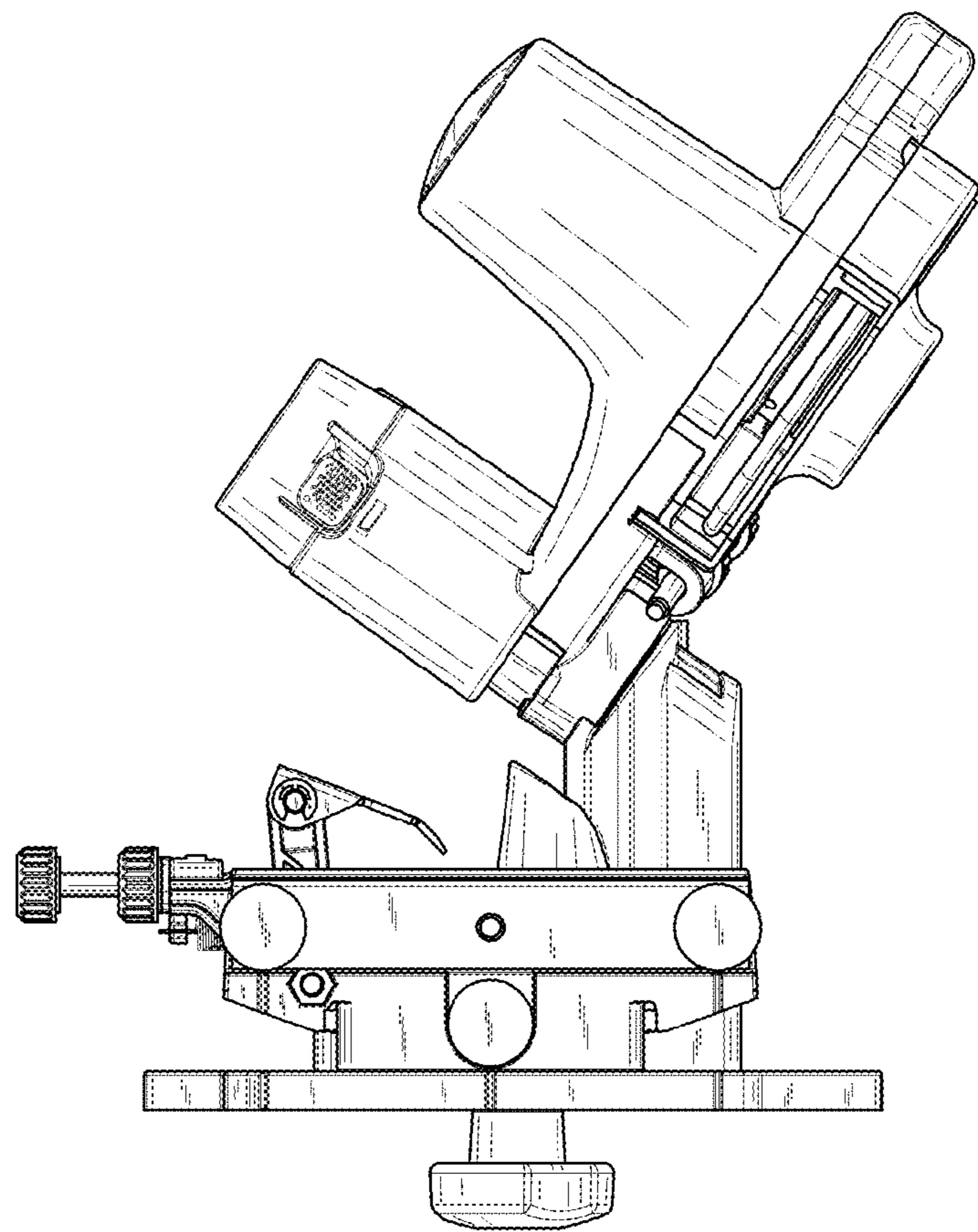


Fig.5

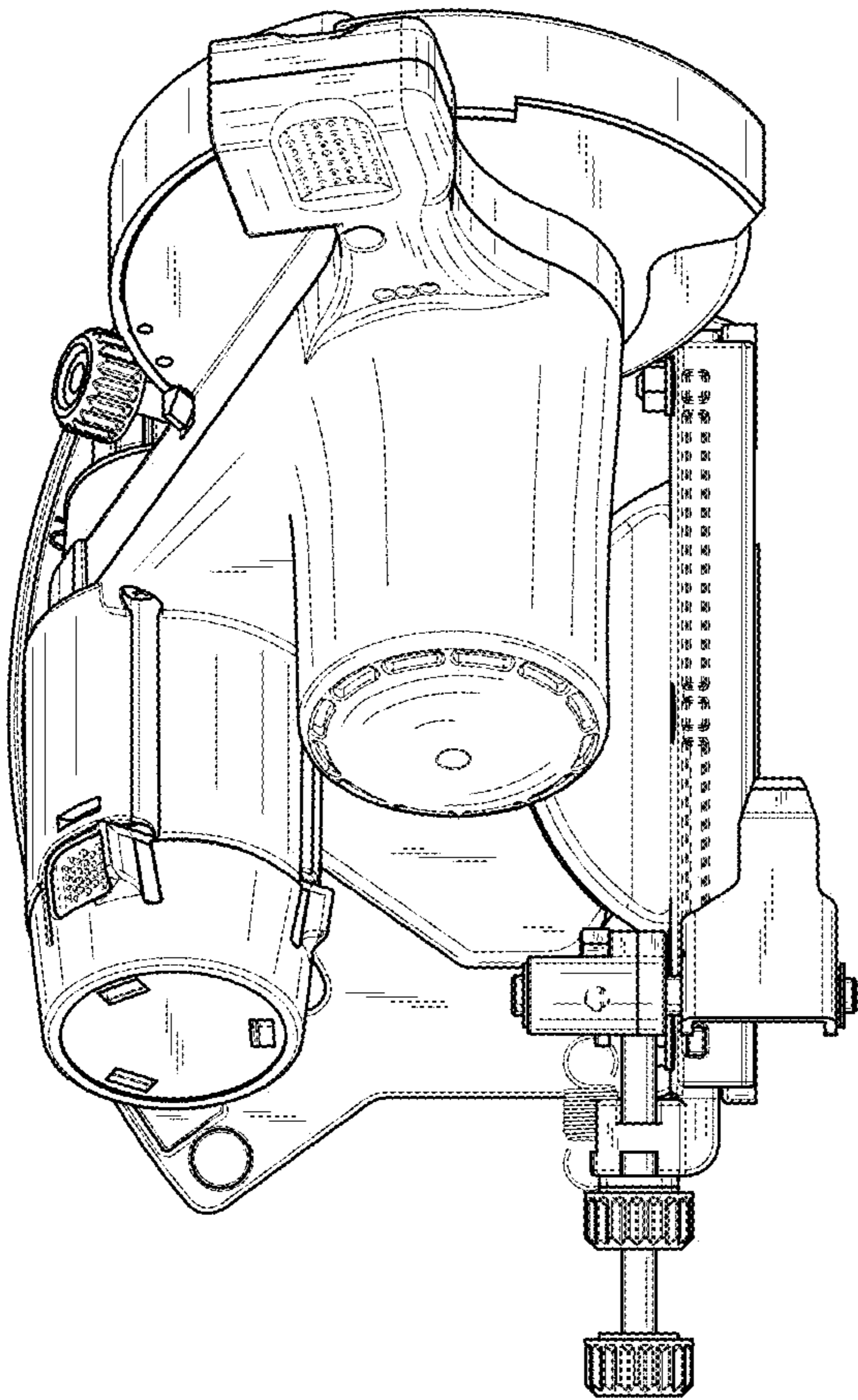


Fig. 6

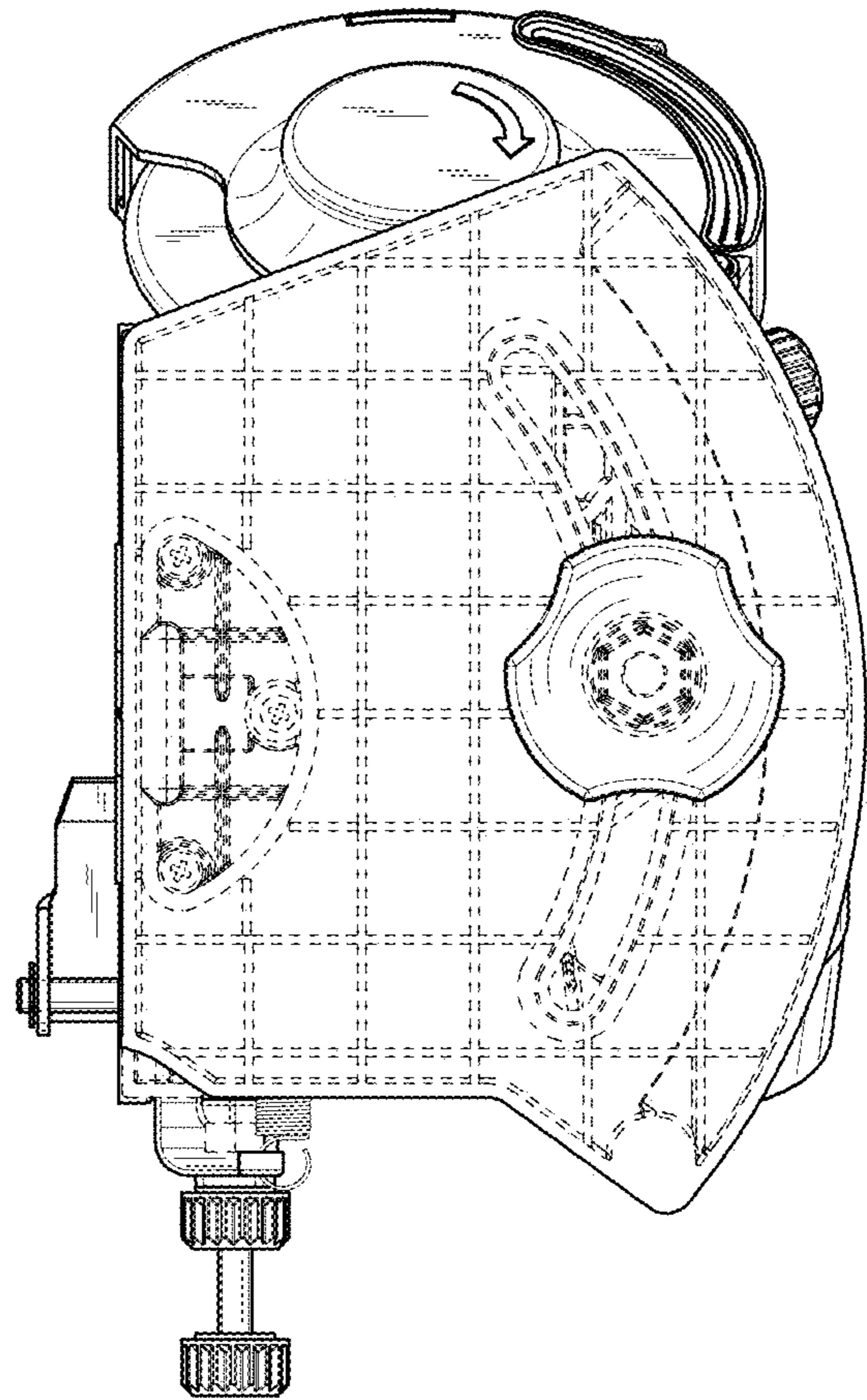


Fig. 7