



US00D969884S

(12) **United States Design Patent**  
**Choi et al.**

(10) **Patent No.:** **US D969,884 S**

(45) **Date of Patent:** **\*\* Nov. 15, 2022**

(54) **REFRIGERATOR**

(71) Applicant: **LG ELECTRONICS INC.**, Seoul  
(KR)

(72) Inventors: **Wonsang Choi**, Seoul (KR); **Kyukwan Choi**, Seoul (KR); **Sanghun Kim**, Seoul (KR); **Seungjin Yoon**, Seoul (KR)

(73) Assignee: **LG ELECTRONICS INC.**, Seoul  
(KR)

(\*\*) Term: **15 Years**

(21) Appl. No.: **29/745,726**

(22) Filed: **Aug. 7, 2020**

(30) **Foreign Application Priority Data**

Feb. 10, 2020 (KR) ..... 30-2020-0005723

(51) **LOC (13) Cl.** ..... **15-07**

(52) **U.S. Cl.**  
USPC ..... **D15/85**; D15/81

(58) **Field of Classification Search**  
USPC ..... D15/79-91; D6/661; D8/300, 316, 319,  
D8/320  
CPC ..... F25D 2323/021; F25D 2323/024; F25D  
29/00; F25D 27/005; F25D 29/005; F25D  
17/042; F25D 2325/021; F25D 11/00;  
F25D 11/02; F25D 11/025; F25D 23/00;  
F25D 23/02; F25D 23/04; F25D 23/12;  
F25D 23/028; F25D 25/02; F25D 25/021;  
F25D 25/022; F25D 25/024; F25D  
25/025; A47F 3/04; A47F 3/0404  
See application file for complete search history.

(56) **References Cited**

**U.S. PATENT DOCUMENTS**

D597,562 S \* 8/2009 Yang ..... D15/81  
D642,600 S \* 8/2011 Kristiansen ..... D15/86

D665,828 S \* 8/2012 Hong ..... D15/91  
D681,693 S \* 5/2013 Meda ..... D15/85  
D699,767 S \* 2/2014 Yoon-jung ..... D15/85  
D701,539 S \* 3/2014 Saejin ..... D15/85  
D718,605 S \* 12/2014 Yang ..... D15/89  
D745,577 S \* 12/2015 Kim ..... D15/89

(Continued)

**OTHER PUBLICATIONS**

LG Electronics, LG Dios Knock-On Magic Space Object Collection M872MGG451S, (site visited Dec. 8, 2021) LGE Korean Website, URL:<<https://www.lge.co.kr/refrigerators/m872mgg451s>> (Year: 2021).\*

(Continued)

*Primary Examiner* — Calvin E Vansant

*Assistant Examiner* — Mark T. Philipps

(74) *Attorney, Agent, or Firm* — Birch, Stewart, Kolasch & Birch, LLP

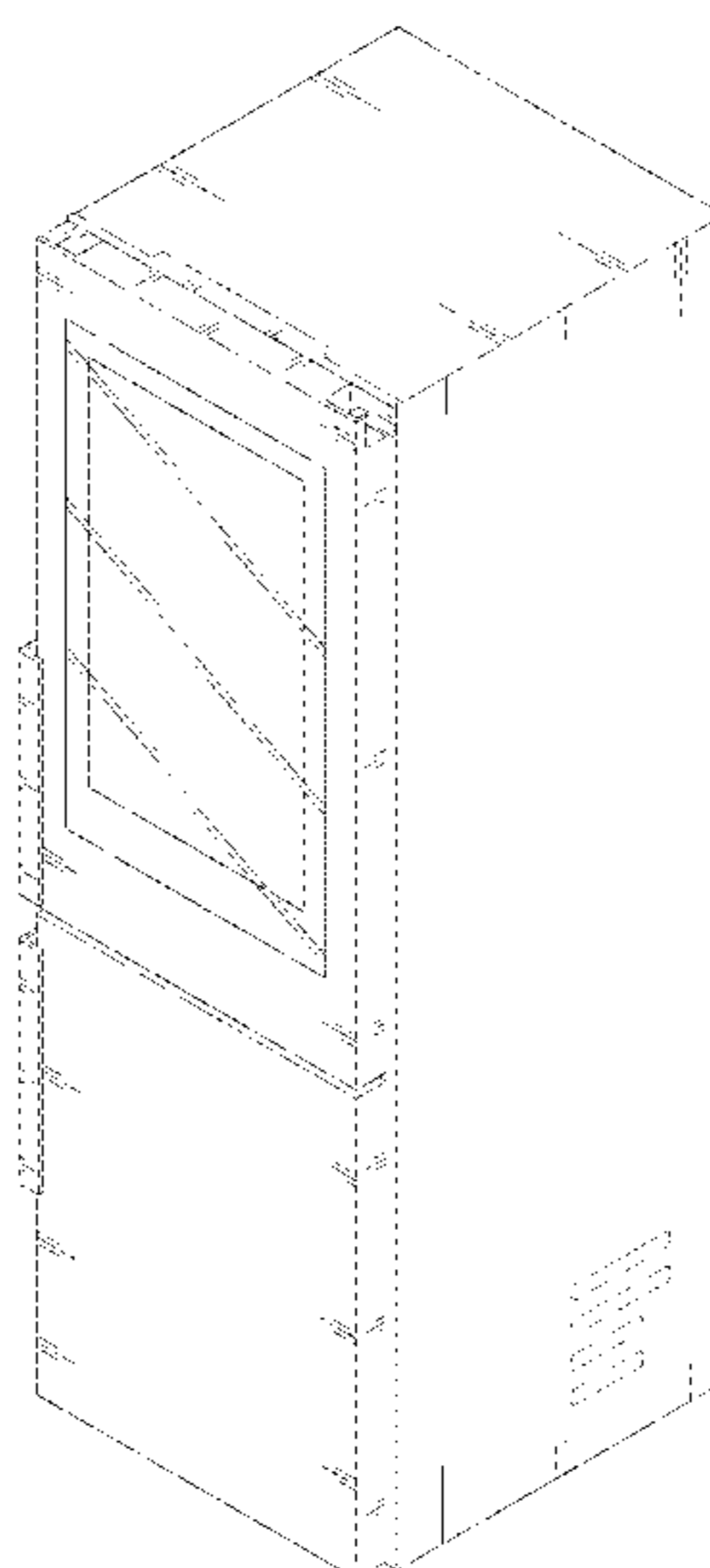
(57) **CLAIM**

The ornamental design for a refrigerator, as shown and described.

**DESCRIPTION**

FIG. 1 is a front perspective view of the refrigerator showing our new design;  
FIG. 2 is a front view thereof;  
FIG. 3 is a rear view thereof;  
FIG. 4 is a left side view thereof;  
FIG. 5 is a right side view thereof;  
FIG. 6 is a top plan view thereof;  
FIG. 7 is a bottom plan view thereof;  
FIG. 8 is a perspective view showing the front of the design in a state of use; and,  
FIG. 9 is a perspective view showing the front of the design in another state of use.  
The broken lines depict portions of the refrigerator that form no part of the claimed design.

**1 Claim, 9 Drawing Sheets**



(56)

**References Cited**

U.S. PATENT DOCUMENTS

D745,579 S \* 12/2015 Kim ..... D15/89  
 D760,822 S \* 7/2016 Lee ..... D15/91  
 D760,823 S \* 7/2016 Lee ..... D15/91  
 D761,334 S \* 7/2016 Lee ..... D15/86  
 D761,336 S \* 7/2016 Lee ..... D15/91  
 D768,738 S \* 10/2016 Lee ..... D15/91  
 D768,739 S \* 10/2016 Lee ..... D15/91  
 D771,724 S \* 11/2016 Jeon ..... D15/86  
 D773,539 S \* 12/2016 Kim ..... D15/86  
 D780,815 S \* 3/2017 Seo ..... D15/91  
 D786,948 S \* 5/2017 Lee ..... D15/86  
 D791,199 S \* 7/2017 Kim ..... D15/86  
 D803,278 S \* 11/2017 Kim ..... D15/89  
 D807,408 S \* 1/2018 Kim ..... D15/81  
 D807,409 S \* 1/2018 Onrat ..... D15/85  
 D825,619 S \* 8/2018 Lee ..... D15/81  
 D825,620 S \* 8/2018 Lee ..... D15/81  
 D827,683 S \* 9/2018 Jeon ..... D15/85  
 D841,058 S \* 2/2019 Lee ..... D15/86  
 D841,060 S \* 2/2019 Jeon ..... D15/91  
 D847,214 S \* 4/2019 Guo ..... D15/81  
 D855,085 S \* 7/2019 Jeon ..... D15/85  
 10,342,363 B2 \* 7/2019 Park ..... F21V 23/002  
 D876,493 S \* 2/2020 Fidler ..... D15/86  
 D892,873 S \* 8/2020 Park ..... D15/85  
 D895,695 S \* 9/2020 Choi ..... D15/85  
 D908,748 S \* 1/2021 Lee ..... D15/91

D916,145 S \* 4/2021 Kim ..... F25D 25/025  
 D15/85  
 D921,064 S \* 6/2021 Lee ..... D15/89  
 D921,714 S \* 6/2021 Yoon ..... D15/86  
 D923,064 S \* 6/2021 Incukur ..... D15/81  
 D923,065 S \* 6/2021 Lee ..... D15/89  
 D926,829 S \* 8/2021 Kim ..... F25D 25/025  
 D15/85  
 D927,563 S \* 8/2021 Lee ..... D15/88  
 D929,472 S \* 8/2021 Kim ..... F25D 25/025  
 D15/81

OTHER PUBLICATIONS

LG Electronics, LG Signature 31 cu. ft. Smart wi-fi Enabled InstaView Door-in-Door Refrigerator, (site visited Dec. 8, 2021)  
 LGE US Website, URL:<<https://www.lg.com/us/refrigerators/lg-urnts3106n-instaview-door-in-door-refrigerator-lgsignature>> (Year: 2021).\*

LG Electronics, 36 Inch Smart Freestanding Side by Side Refrigerator LRSOS2706S, (site visited Dec. 9, 2021), Appliance Connection Website, URL:<<https://www.appliancesconnection.com/lg-lrsos2706s.html>> (Year: 2021).\*

LG Electronics, 36 Inch Smart Freestanding Side by Side Refrigerator LRMVC2306S, (site visited Dec. 9, 2021), Appliance Connection Website, URL:<<https://www.appliancesconnection.com/lg-lrmvc2306s.html>> (Year: 2021).\*

\* cited by examiner

FIG. 1

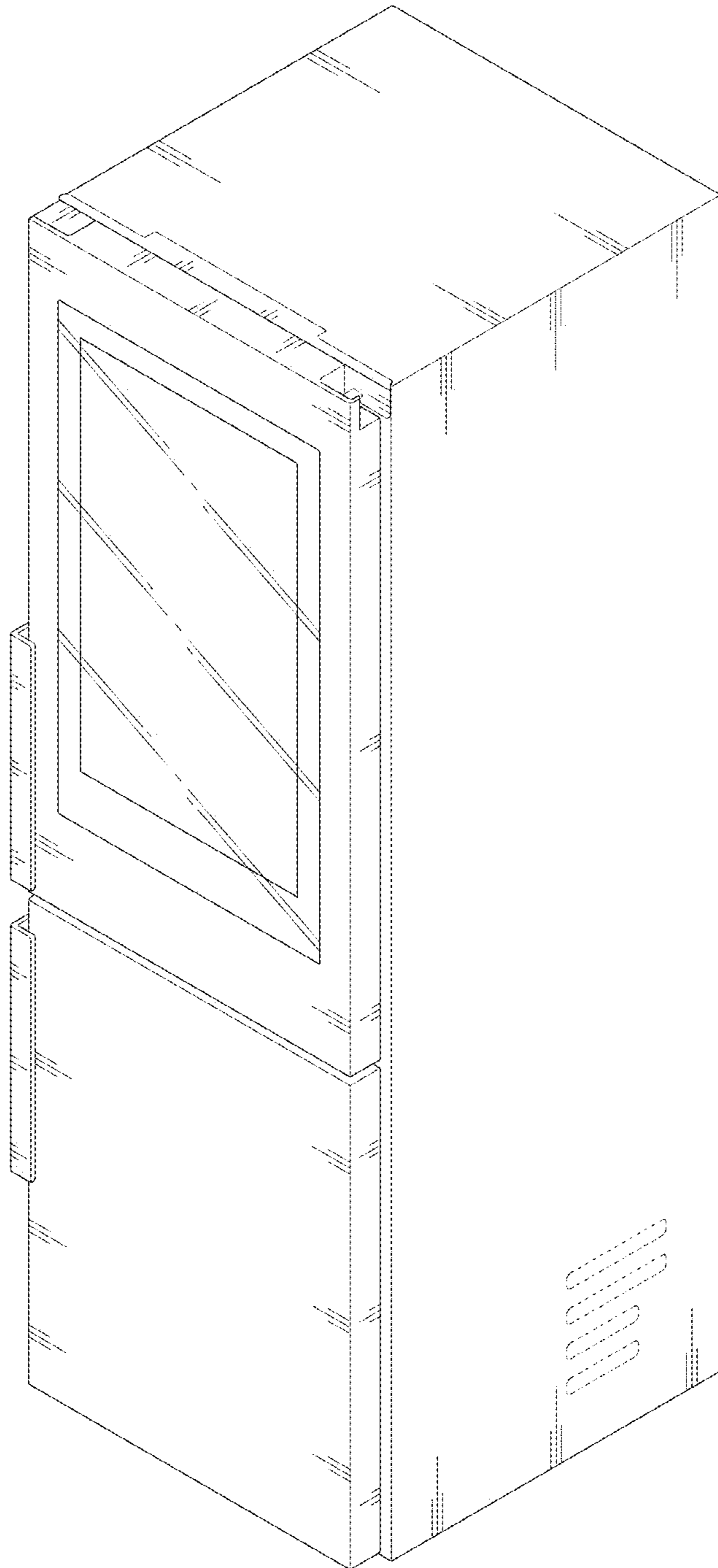


FIG. 2

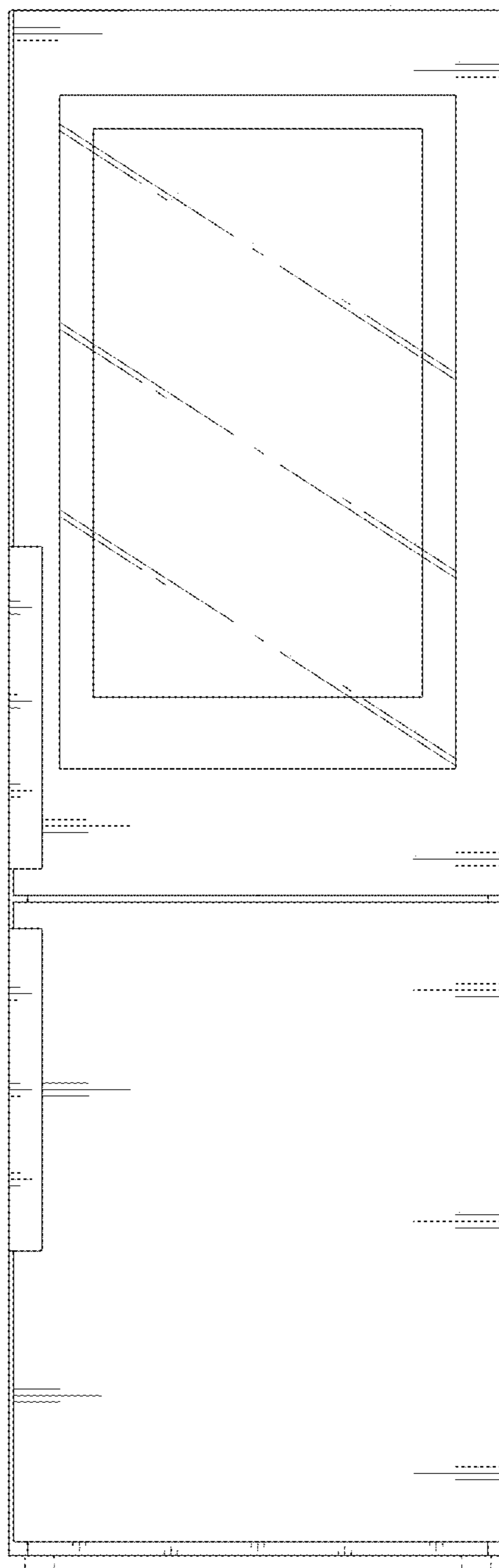


FIG. 3

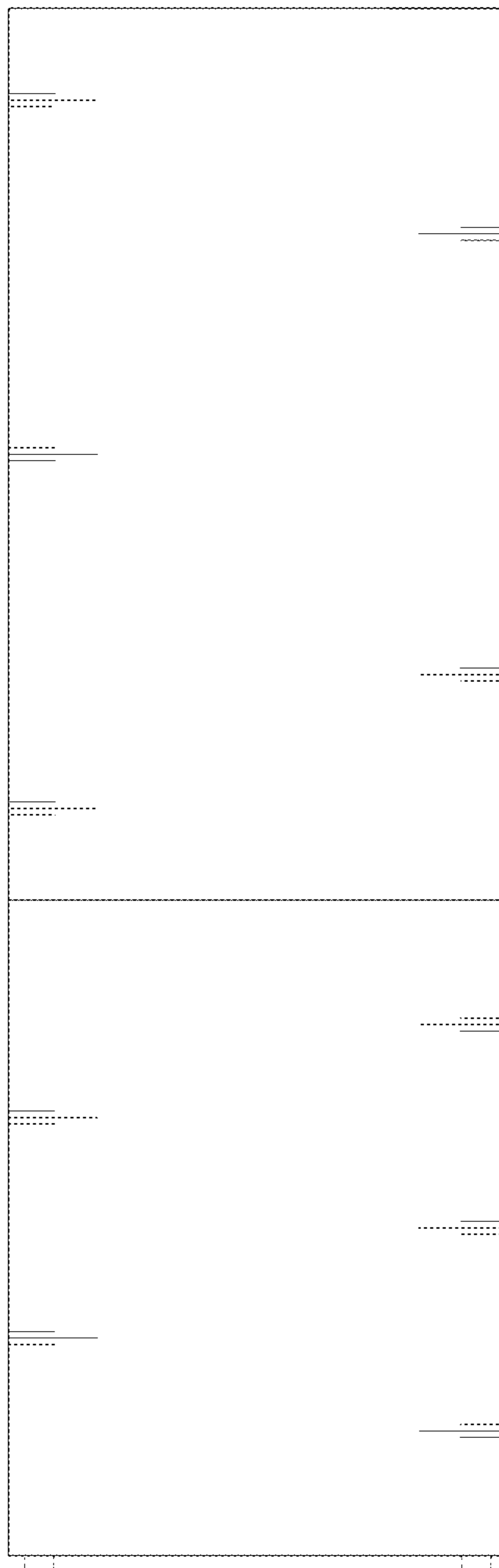


FIG. 4

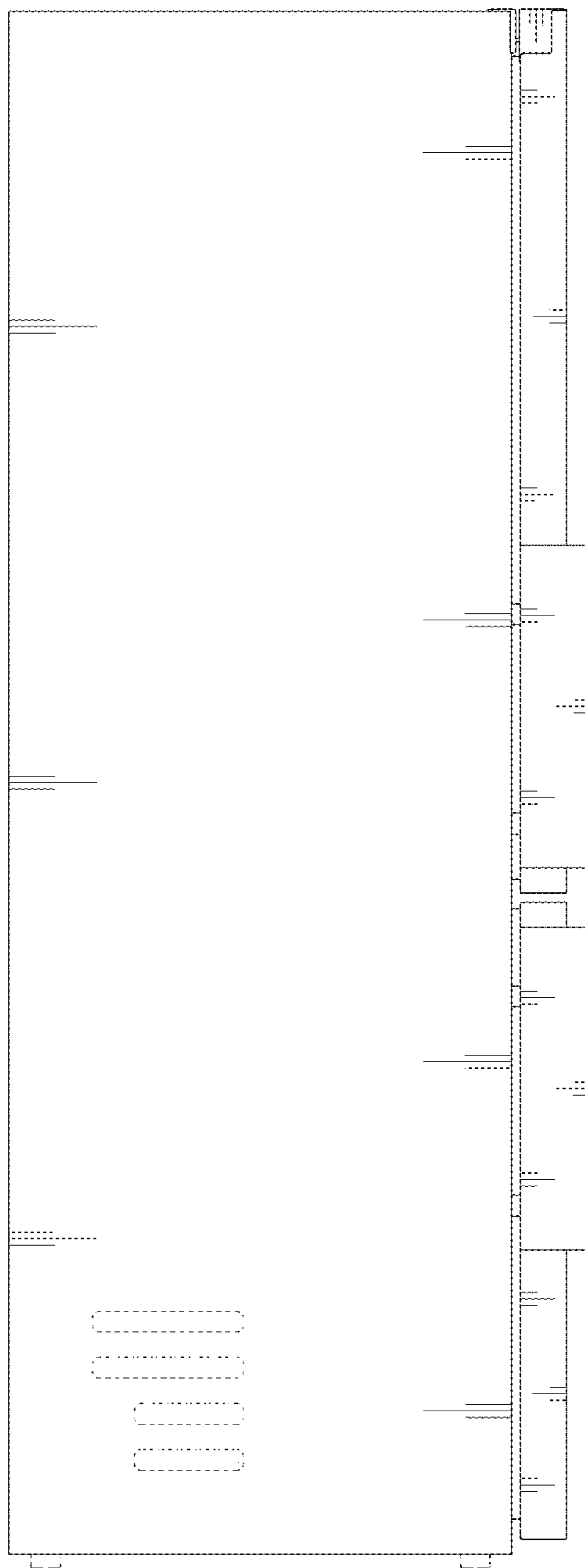


FIG. 5

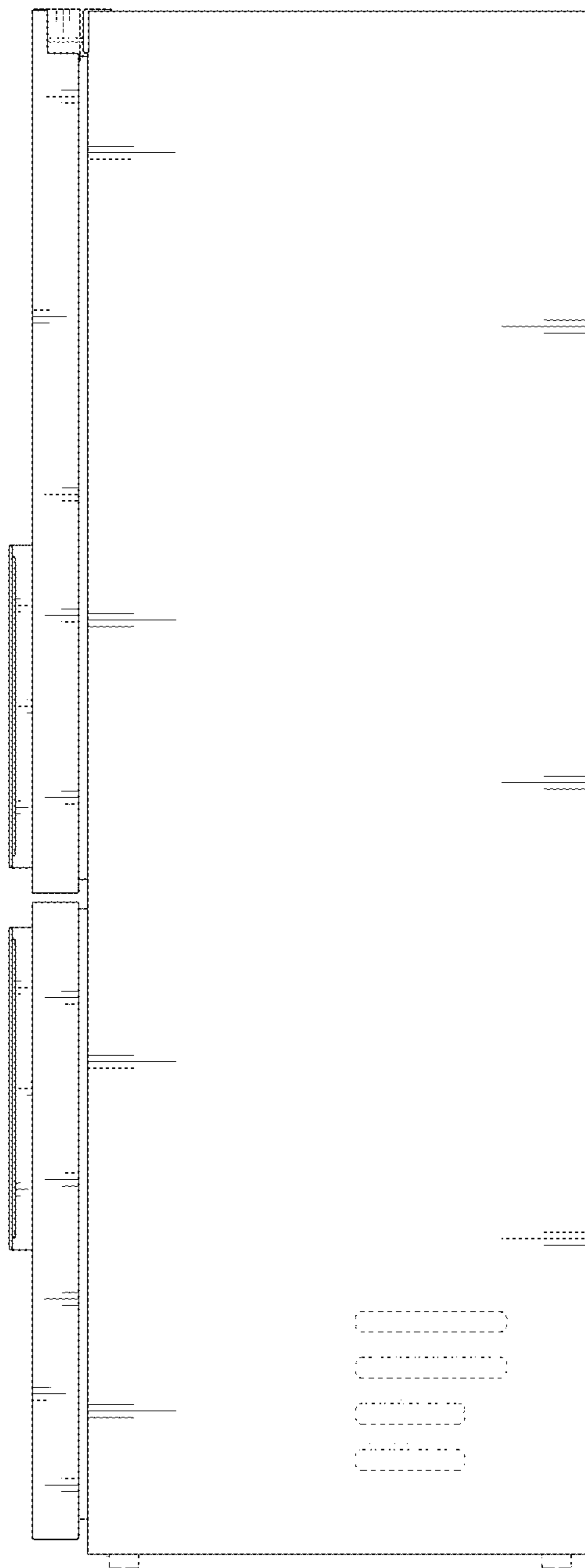


FIG. 6

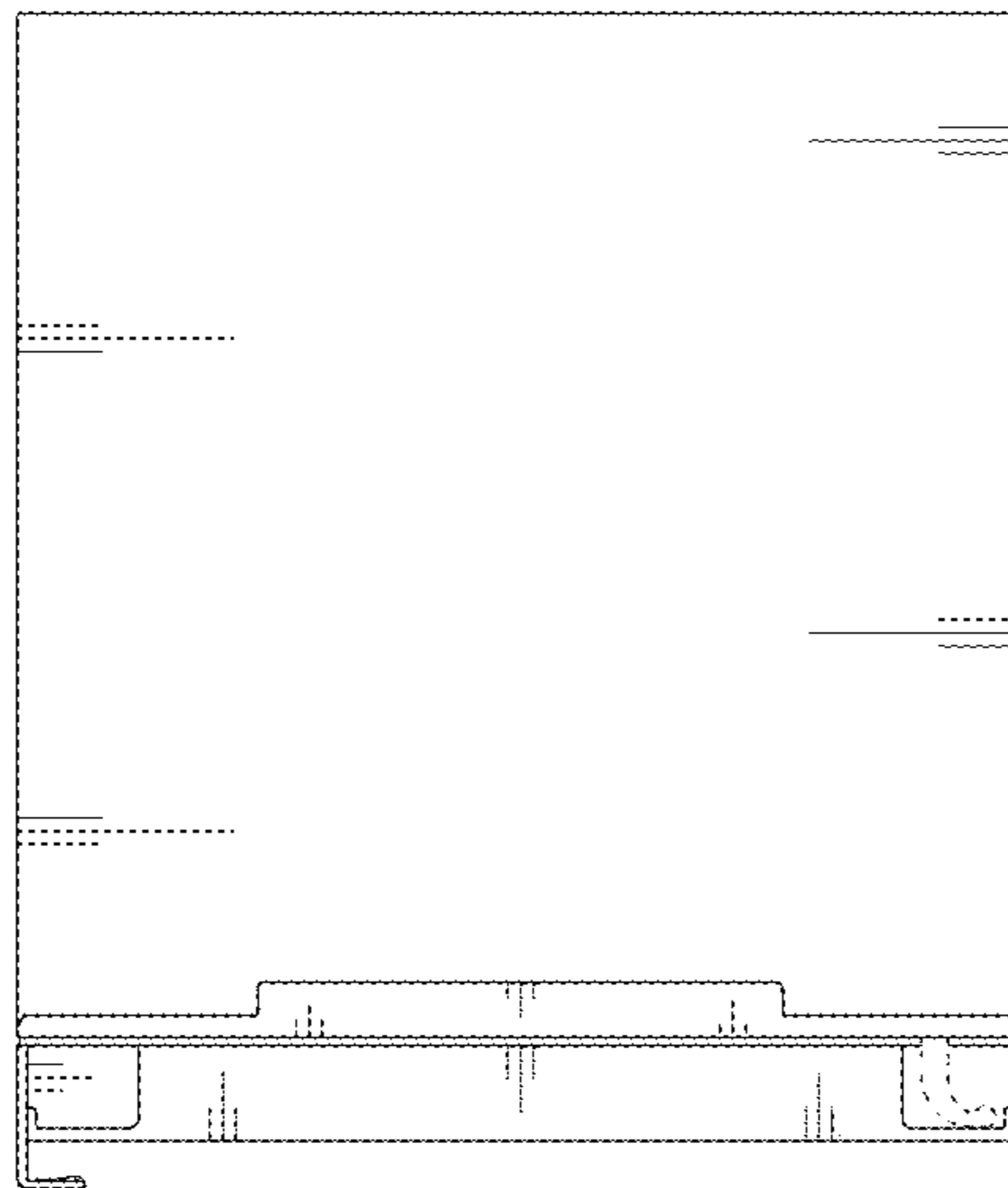




FIG. 7

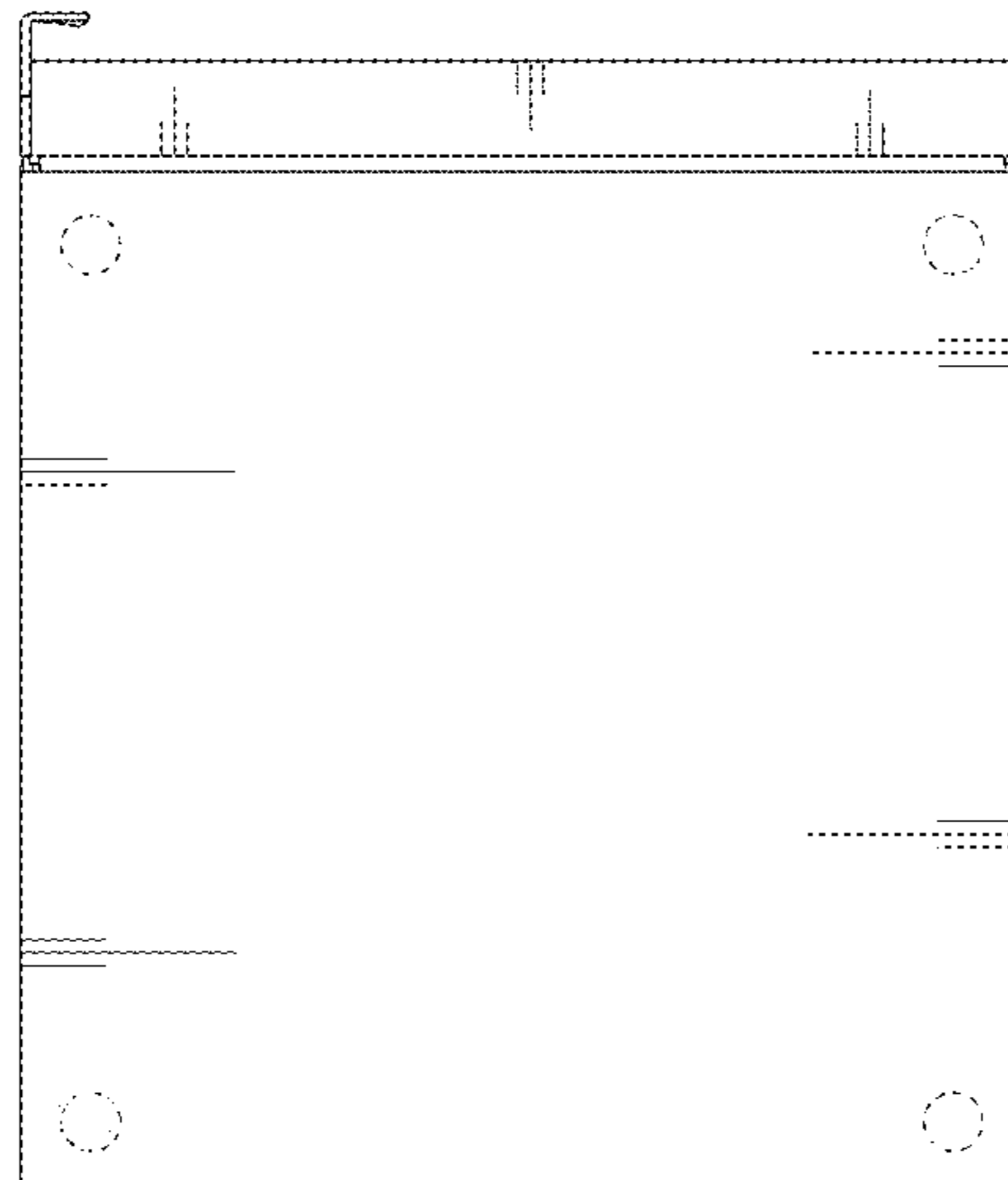


FIG. 8

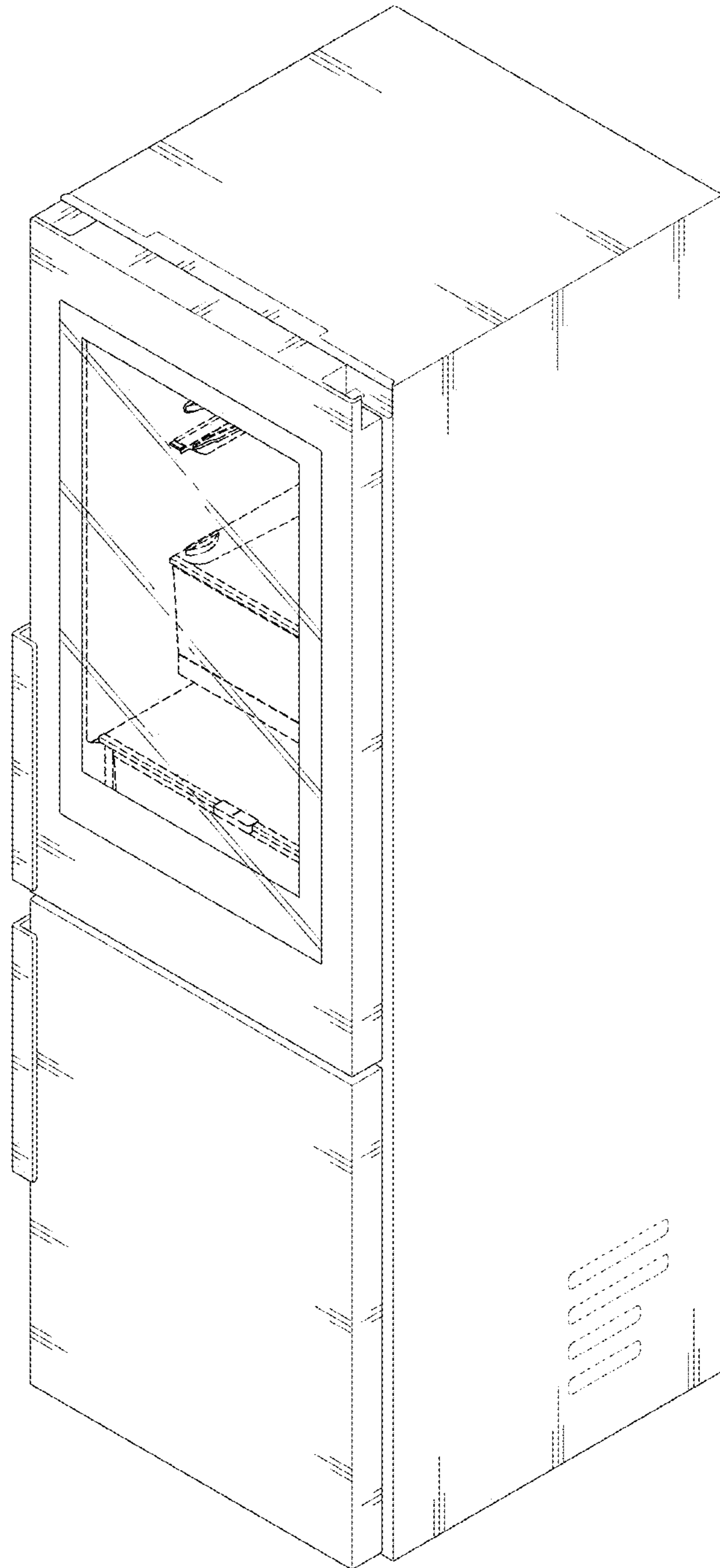


FIG. 9

