



US00D969883S

(12) **United States Design Patent** (10) **Patent No.:** **US D969,883 S**
Hüssy (45) **Date of Patent:** **** Nov. 15, 2022**

(54) **STRAPPING TOOL**
(71) Applicant: **Signode Industrial Group LLC**,
Glenview, IL (US)

D917,997 S * 5/2021 Hochstrasser D15/145
D928,577 S * 8/2021 Hochstrasser D15/145
D953,832 S * 6/2022 Hüssy D8/69
(Continued)

(72) Inventor: **Joel Hüssy**, Uitikon (CH)
(73) Assignee: **Signode Industrial Group LLC**,
Tampa, FL (US)

FOREIGN PATENT DOCUMENTS

CN 304339364 S 11/2017
CN 304633622 S 5/2018
(Continued)

(**) Term: **15 Years**

OTHER PUBLICATIONS

(21) Appl. No.: **29/749,696**
(22) Filed: **Sep. 8, 2020**
(51) **LOC (13) Cl.** **08-05**
(52) **U.S. Cl.**
USPC **D15/67; D15/145**
(58) **Field of Classification Search**
USPC D8/41, 61, 67, 68, 69; D15/145, 146,
D15/199
CPC B65B 13/34; B65B 13/22; B65B 13/027;
B65B 13/345
See application file for complete search history.

“Official Letter and Search”, from corresponding Taiwan Patent Application No. 110300955, dated Sep. 17, 2021.
(Continued)

Primary Examiner — Darlington Ly
(74) *Attorney, Agent, or Firm* — Neal, Gerber & Eisenberg LLP

(57) **CLAIM**
The ornamental design for a strapping tool, as shown.

DESCRIPTION

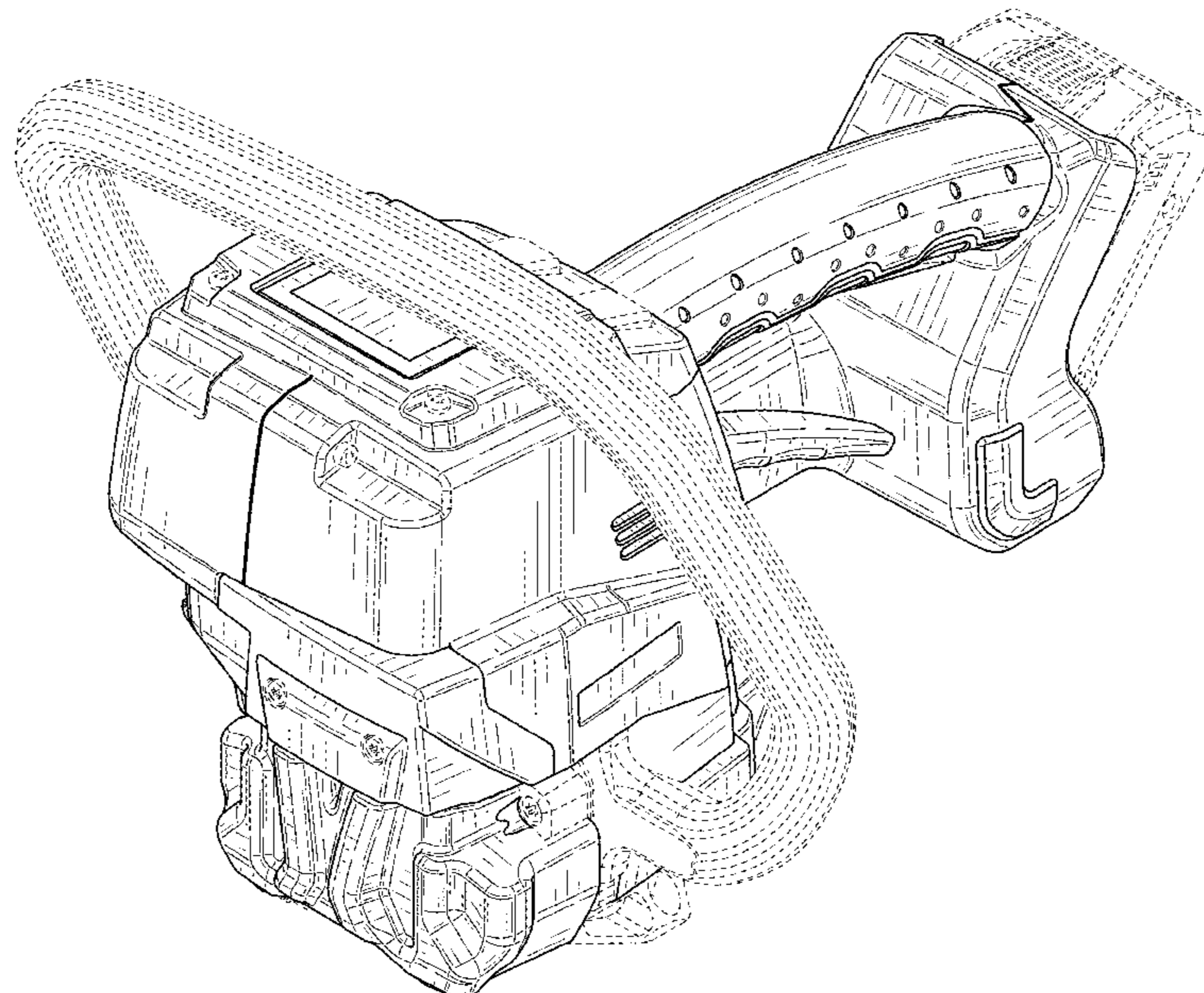
FIG. 1 is a perspective view of a strapping tool of my new design.
FIG. 2 is a front elevational view of the strapping tool of FIG. 1.
FIG. 3 is a back elevational view of the strapping tool of FIG. 1.
FIG. 4 is a right-side elevational view of the strapping tool of FIG. 1.
FIG. 5 is a left-side elevational view of the strapping tool of FIG. 1.
FIG. 6 is a top plan view of the strapping tool of FIG. 1; and, FIG. 7 is a bottom plan view of the strapping tool of FIG. 1. The broken lines illustrate portions of the strapping tool that form no part of the claimed design.

(56) **References Cited**

U.S. PATENT DOCUMENTS

D338,214 S * 8/1993 Crittenden D15/145
D349,294 S * 8/1994 Nix D15/145
D365,006 S * 12/1995 Cheung D8/67
7,562,620 B1 * 7/2009 Nasiatka B65B 13/188
100/32
D629,321 S * 12/2010 Neeser D10/102
D651,498 S * 1/2012 Neeser D8/67
D653,923 S * 2/2012 Neeser D8/67
D864,688 S * 10/2019 Hochstrasser D15/145
D874,897 S * 2/2020 Hochstrasser D15/145
D889,229 S * 7/2020 Hochstrasser D15/145
D904,151 S * 12/2020 Hochstrasser D15/145

1 Claim, 7 Drawing Sheets



(56)

References Cited

U.S. PATENT DOCUMENTS

2009/0013656	A1 *	1/2009	Nasiatka	B65B 13/322
				100/6
2011/0056389	A1 *	3/2011	Neeser	B65B 13/322
				100/29
2012/0210682	A1 *	8/2012	Gardner	B65B 13/187
				53/375.9
2014/0007781	A1 *	1/2014	Sikora	B65B 13/025
				100/29
2016/0016682	A1 *	1/2016	Boss	B65B 57/00
				100/29
2016/0107775	A1 *	4/2016	Amacker	B65B 13/327
				100/29
2017/0166335	A1 *	6/2017	Nasiatka	B65B 13/345
2018/0127124	A1 *	5/2018	Sikora	B65B 57/00
2019/0185189	A1 *	6/2019	Neeser	B65B 13/185
2019/0256233	A1 *	8/2019	Sikora	B65B 13/184
2020/0354094	A1 *	11/2020	Keller	B65B 13/34
2020/0361644	A1 *	11/2020	Hochstrasser	B65B 13/327

FOREIGN PATENT DOCUMENTS

CN	304853433	S	10/2018
CN	305440868	S	11/2019
CN	305828794	S	6/2020

OTHER PUBLICATIONS

Signode “Grip Pack” and “GripPack Double Notch Sealer” brochure, (1 page), 2015 Retrieved from https://www.signodestrapping.com/pdf/grippack-114_spd_1710_web.pdf.

Signode “Grip Pack SLB” brochure, (2 pages), 2018 Retrieved from <https://www.signode.no/media/2237/grippack-slb-engelsk.pdf>.

Signode “Grip Pack PB” and “Battery Powered Tensioner for Steel Strap” brochure, (2 pages), 2018 Retrieved from http://www.signodestrapping.com/pdf/GripPack%20Tensioner%20SPD%201852_10-16-18_English_A4%20.pdf.

Signode “Grip Pack” and “Grip Pack Cutter” brochure, (1 page), 2015 Retrieved from https://www.signodestrapping.com/pdf/GripPack_Cutter%20SPD%201819.pdf.

Signode “Grip Pack RCBS/RCBD” brochure, (2 pages), 2018 Retrieved from <https://topsealpackaging.com/pdf/GripPack-Sealer-RCBS.pdf>.

* cited by examiner

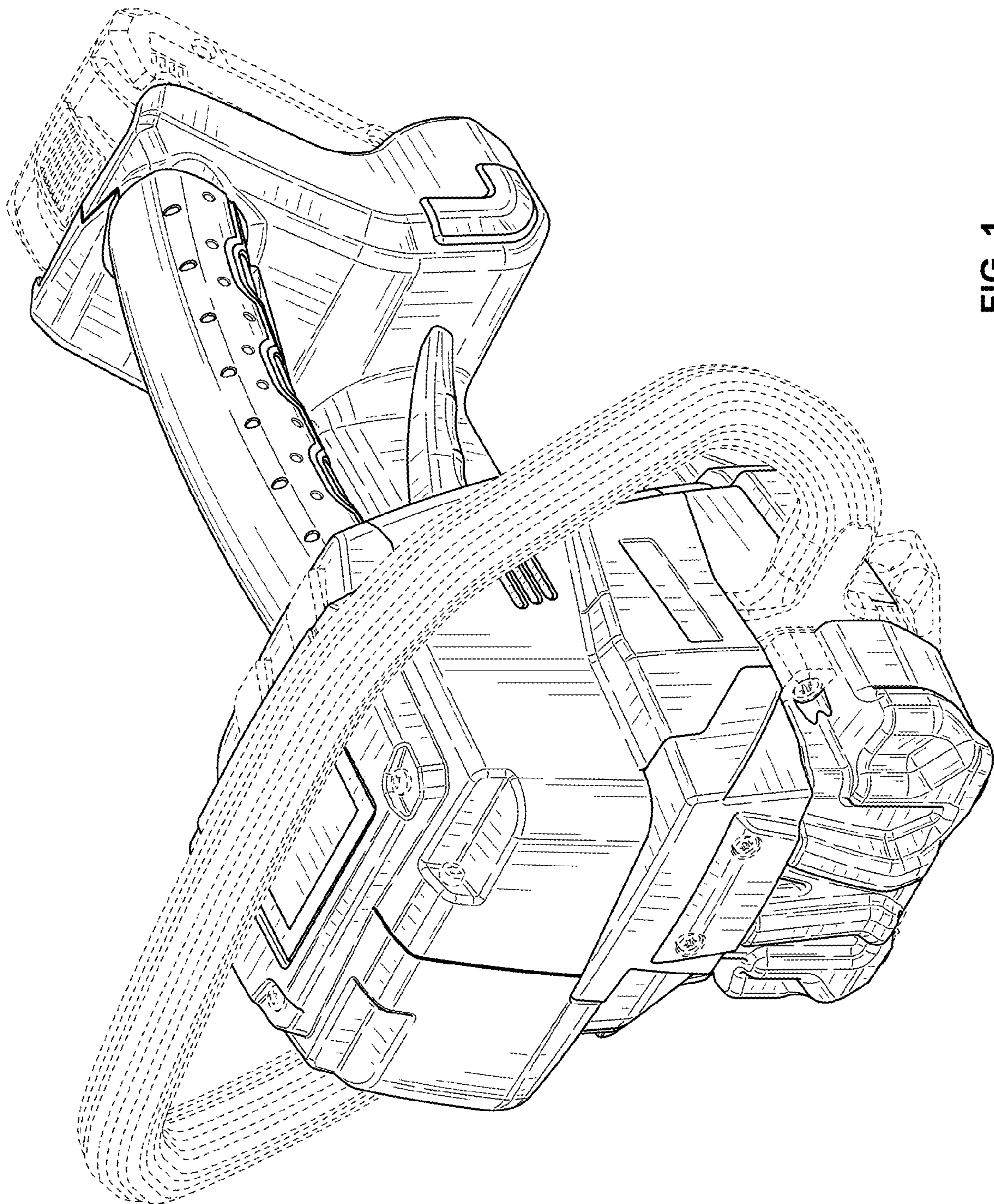


FIG. 1

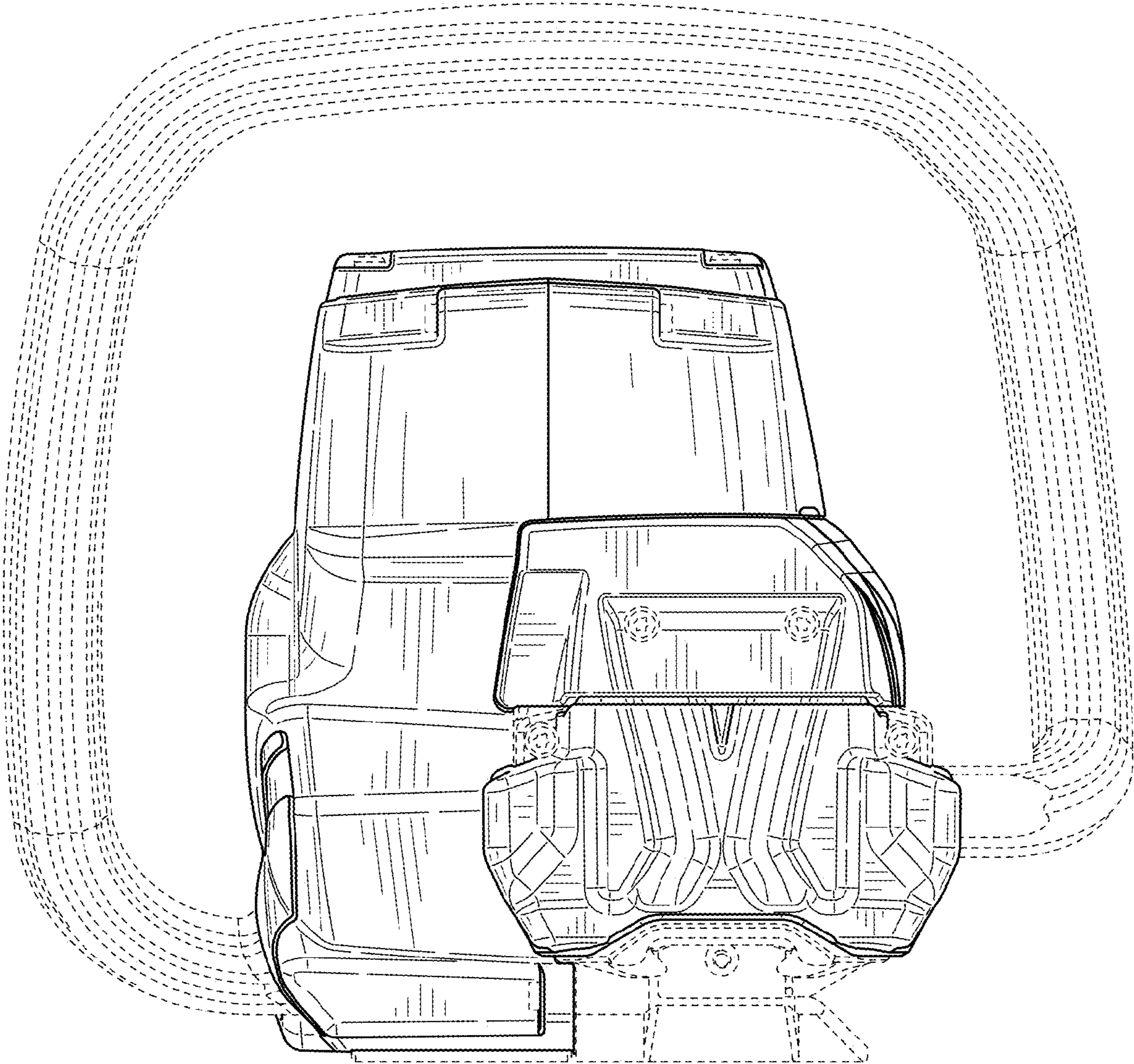


FIG. 2

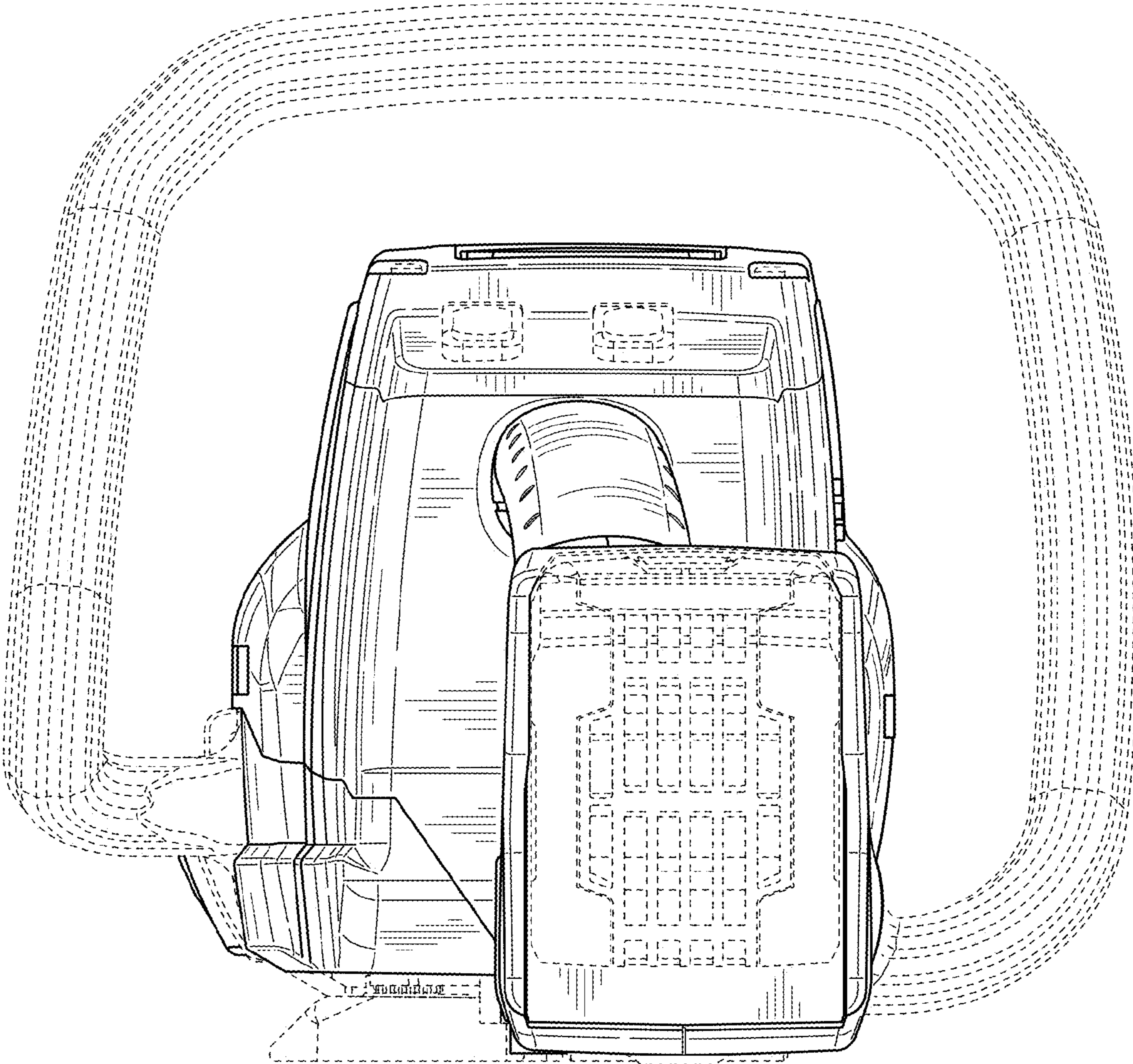


FIG. 3

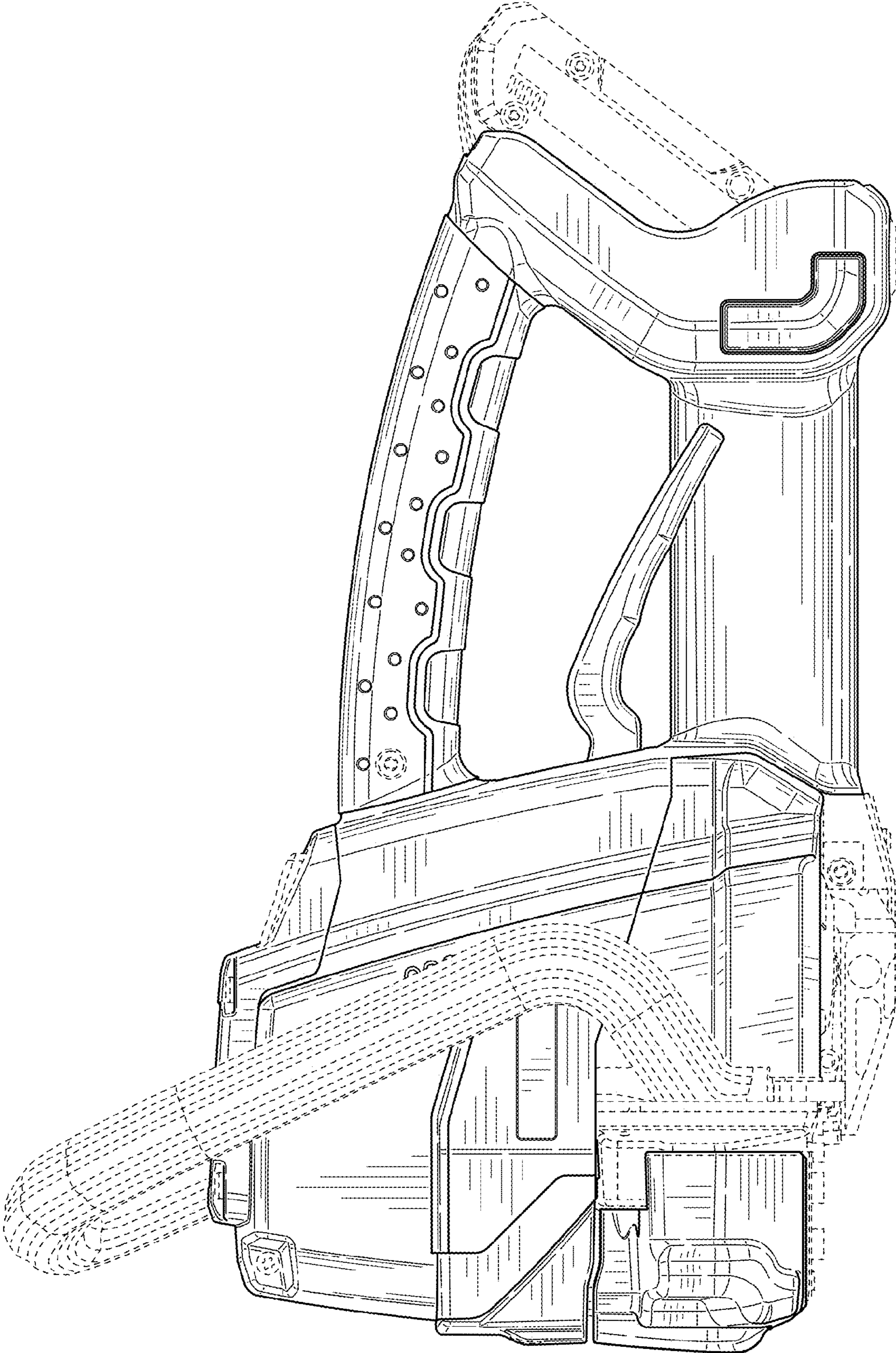


FIG. 4

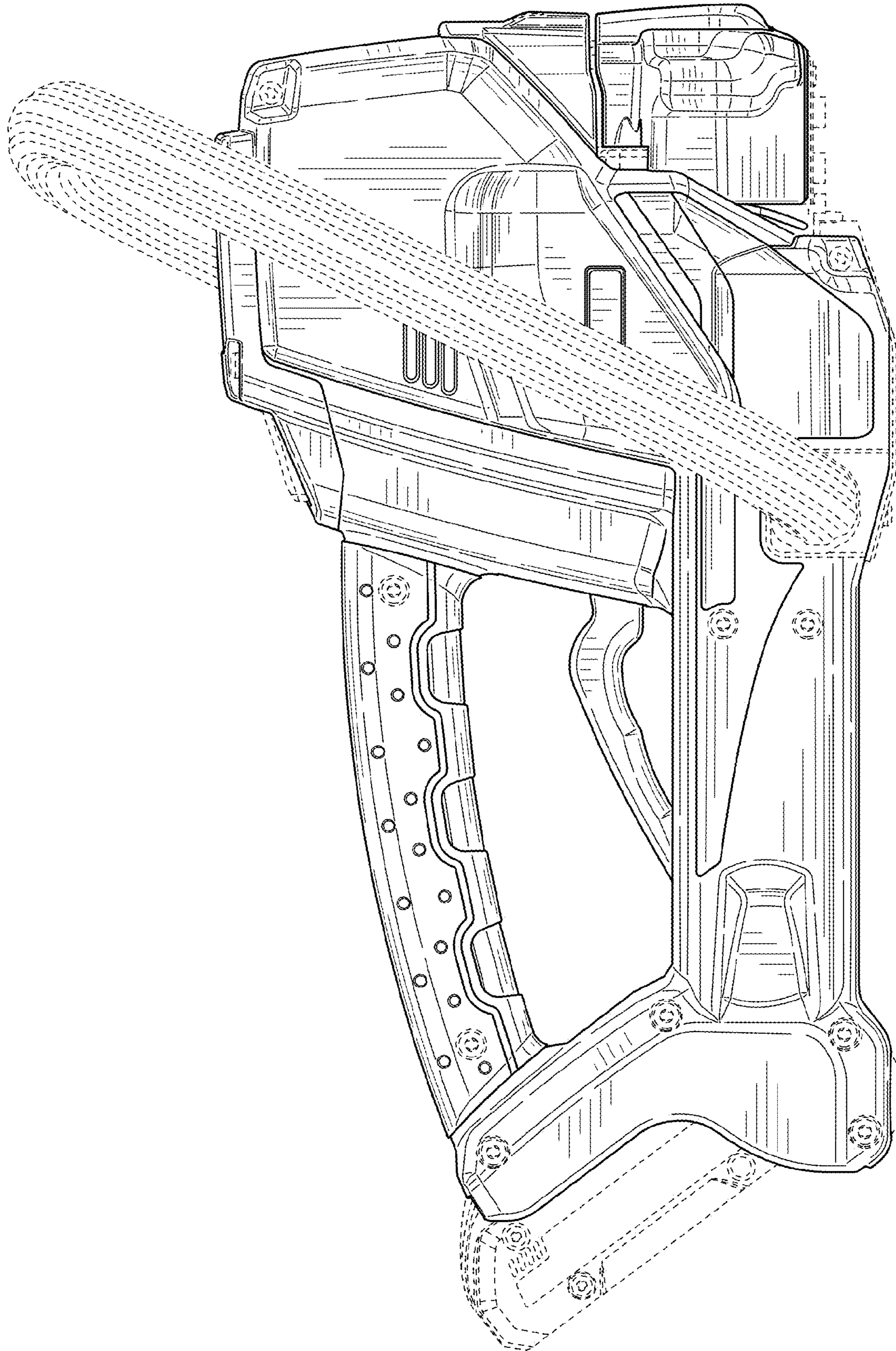


FIG. 5

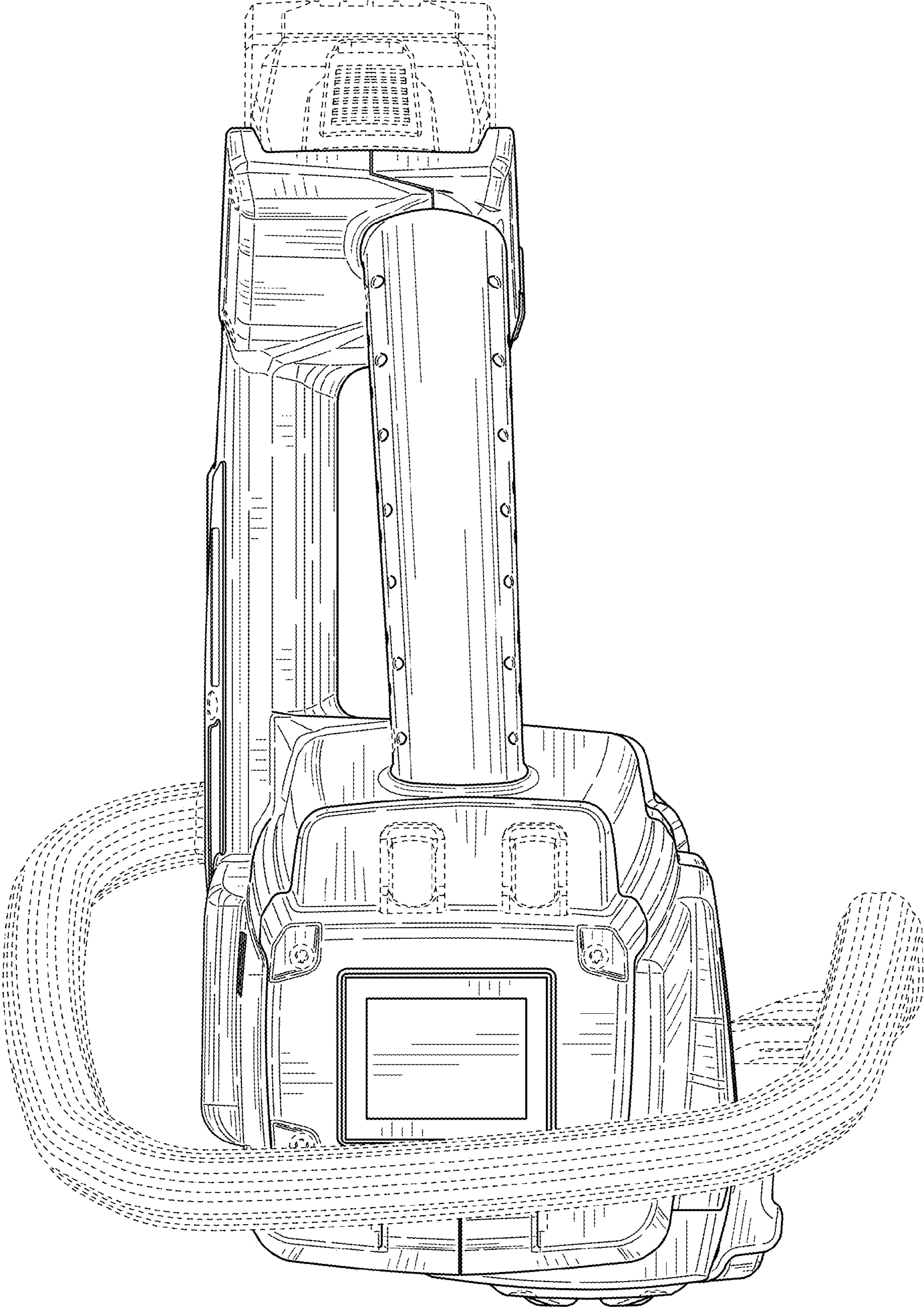


FIG. 6

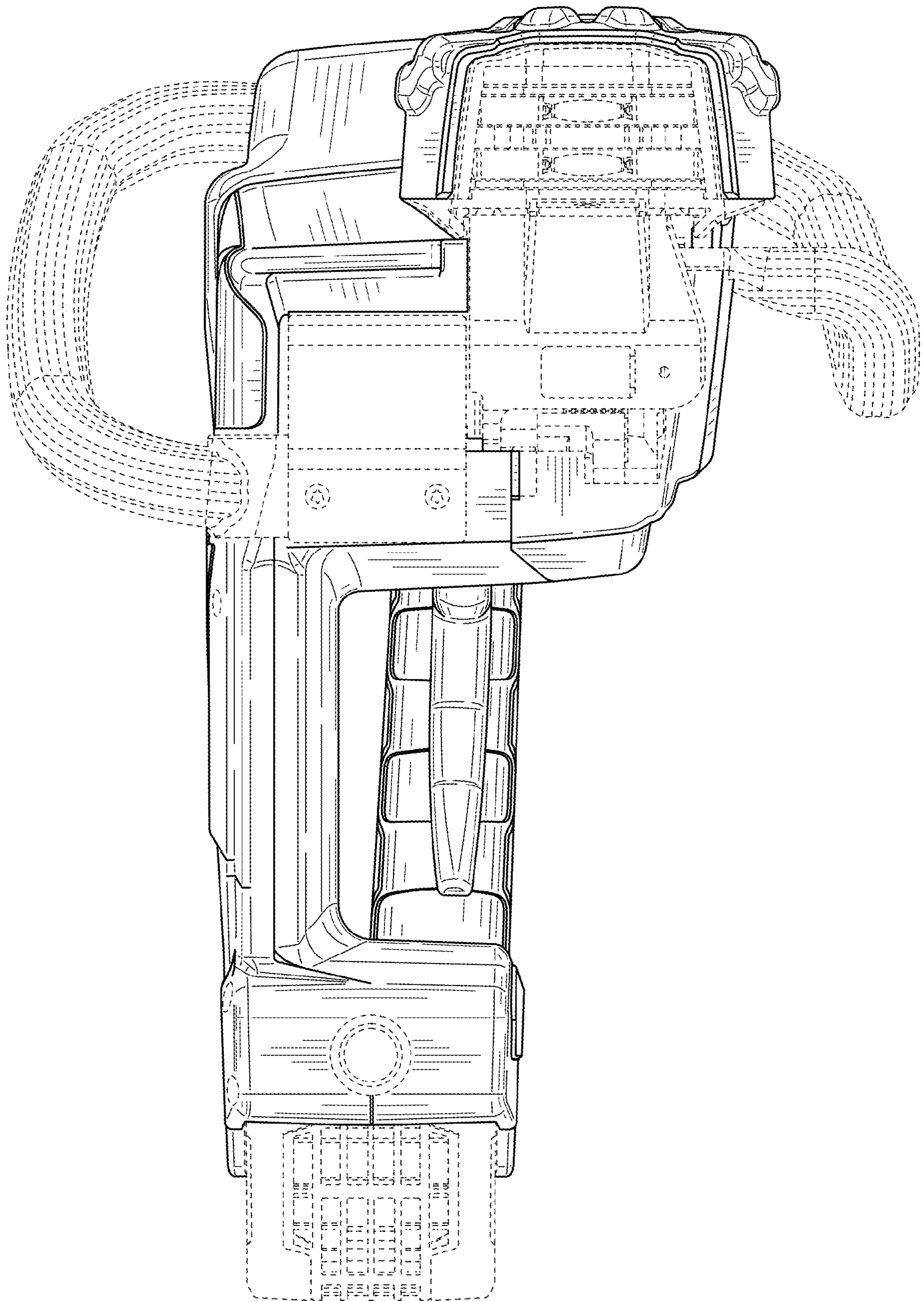


FIG. 7