



US00D969881S

(12) **United States Design Patent**  
**Bergeron**

(10) **Patent No.:** **US D969,881 S**

(45) **Date of Patent:** **\*\* Nov. 15, 2022**

(54) **CLAMSHELL DREDGING BUCKET**

(71) Applicant: **Raymond E. Bergeron**, Trenton, MI  
(US)

(72) Inventor: **Raymond E. Bergeron**, Trenton, MI  
(US)

(\*\*) Term: **15 Years**

(21) Appl. No.: **29/842,881**

(22) Filed: **Jun. 16, 2022**

5,649,729	A *	7/1997	Peterson	.....	B66C 3/06
					294/68.23
5,984,394	A *	11/1999	Bergeron	.....	B66C 3/02
					294/111
D469,786	S *	2/2003	Miller	.....	D15/24
D491,198	S *	6/2004	Rowlands	.....	D15/28
D524,826	S *	7/2006	Boyapally	.....	D15/29
8,240,070	B1	8/2012	Phillips et al.		
D752,655	S *	3/2016	Morinaga	.....	D15/28
9,388,023	B2	7/2016	Gauthier et al.		
D943,009	S *	2/2022	Currey	.....	D15/28
2014/0259814	A1 *	9/2014	Gauthier	.....	E02F 3/413
					37/461

(Continued)

**Related U.S. Application Data**

(62) Division of application No. 29/706,949, filed on Sep. 25, 2019.

(51) **LOC (13) Cl.** ..... **15-03**

(52) **U.S. Cl.**  
USPC ..... **D15/32**

(58) **Field of Classification Search**  
USPC ..... D15/10-33  
CPC ..... E02F 3/47; B66C 3/02; B65D 2251/20;  
B65D 2590/245; B65D 2543/00953  
See application file for complete search history.

(56) **References Cited**

**U.S. PATENT DOCUMENTS**

369,842	A	9/1887	Delory		
2,177,196	A *	10/1939	Williams	.....	E02F 3/47
					37/340
2,188,672	A *	1/1940	Herbert	.....	E02F 3/47
					37/186
2,314,395	A *	3/1943	Harrington	.....	B66C 3/02
					37/186
3,410,593	A *	11/1968	Goodman, Jr.	.....	B66C 3/02
					294/68.23
3,949,498	A *	4/1976	Iwata	.....	E02F 3/413
					37/340
4,143,901	A	3/1979	van Huuksloot		
D326,859	S *	6/1992	Cody	.....	D15/28

**FOREIGN PATENT DOCUMENTS**

JP 200318413 A 1/2003

**OTHER PUBLICATIONS**

U.S. Appl. No. 29/706,949, filed Sep. 25, 2019, Raymond E. Bergeron.

*Primary Examiner* — Mark A Goodwin

(74) *Attorney, Agent, or Firm* — Dinsmore & Shohl LLP

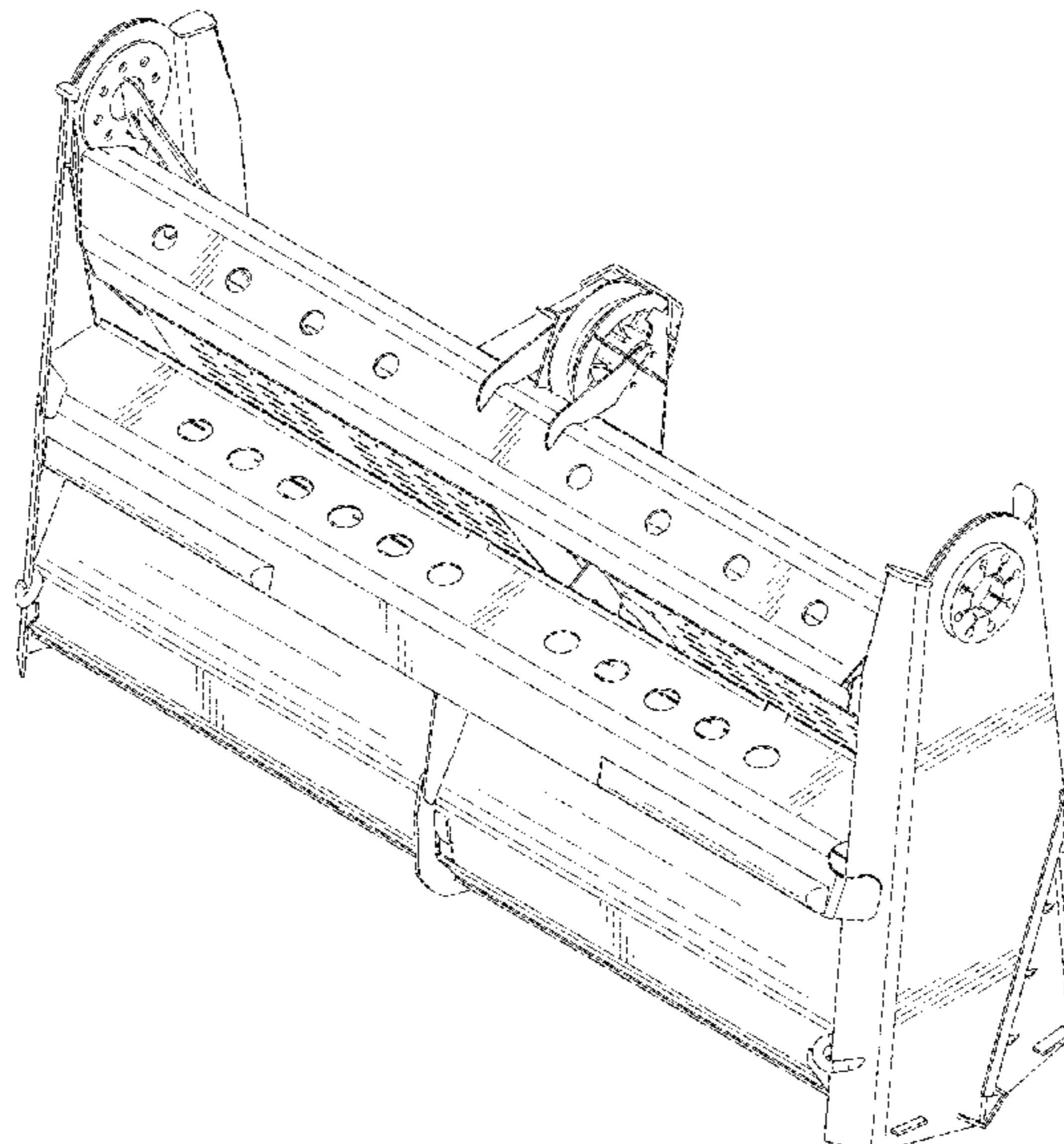
(57) **CLAIM**

The ornamental design for a clamshell dredging bucket, as shown and described.

**DESCRIPTION**

FIG. 1 is an upper perspective of a clamshell dredging bucket;  
FIG. 2 is a lower perspective of the bucket of FIG. 1;  
FIG. 3 is a front plan view of the bucket of FIG. 1;  
FIG. 4 is a rotated rear plan view of the bucket of FIG. 1;  
FIG. 5 is a right side plan view of the bucket of FIG. 1;  
FIG. 6 is a left side plan view of the bucket of FIG. 1;  
FIG. 7 is a bottom plan view of the bucket of FIG. 1; and,  
FIG. 8 is a top plan view of the bucket of FIG. 1.

**1 Claim, 8 Drawing Sheets**



(56)

**References Cited**

U.S. PATENT DOCUMENTS

2018/0134525 A1\* 5/2018 de Kluijver ..... B66C 3/12  
2019/0292746 A1\* 9/2019 Belesimo ..... E02F 3/404

\* cited by examiner

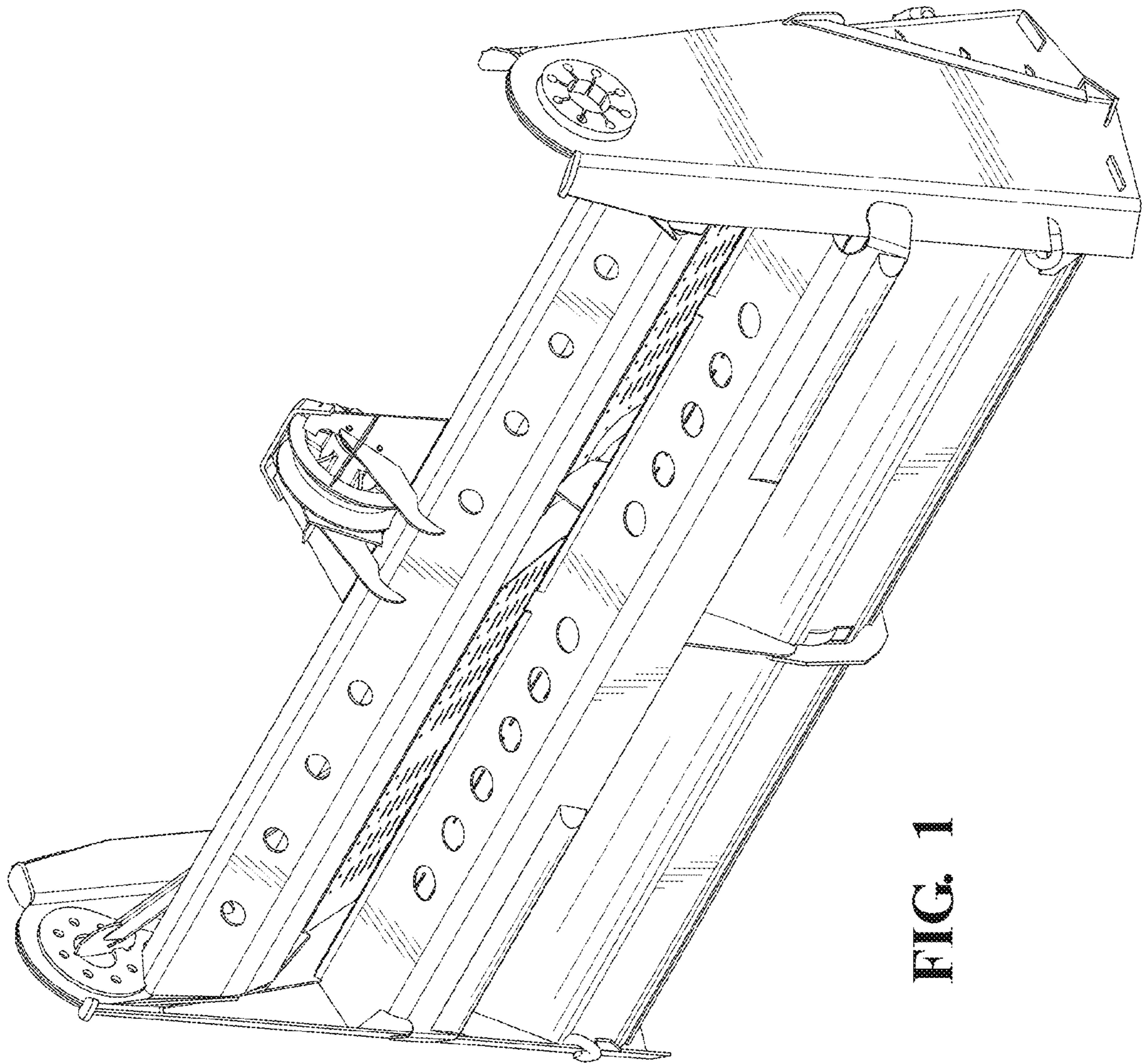


FIG. 1

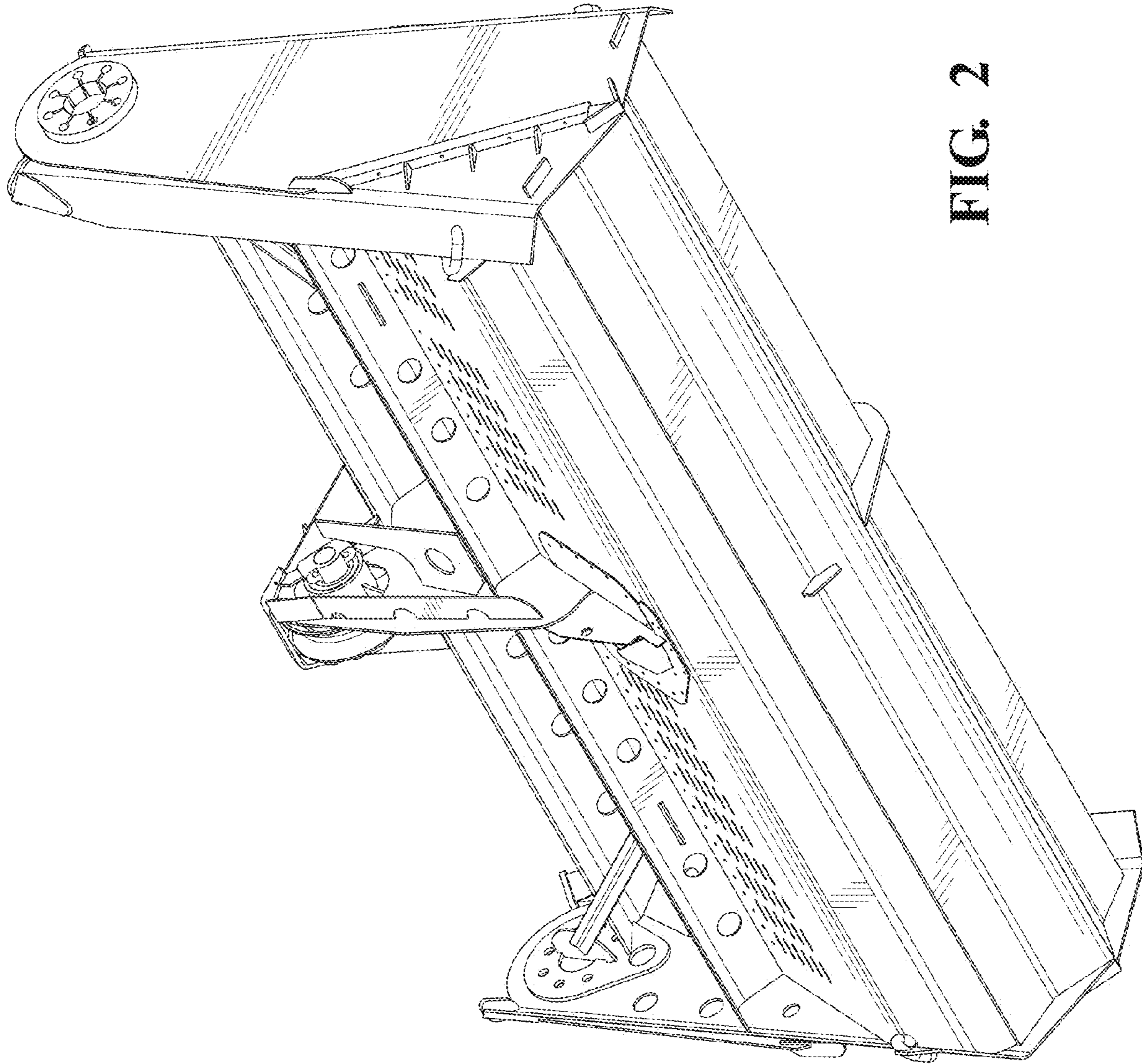


FIG. 2

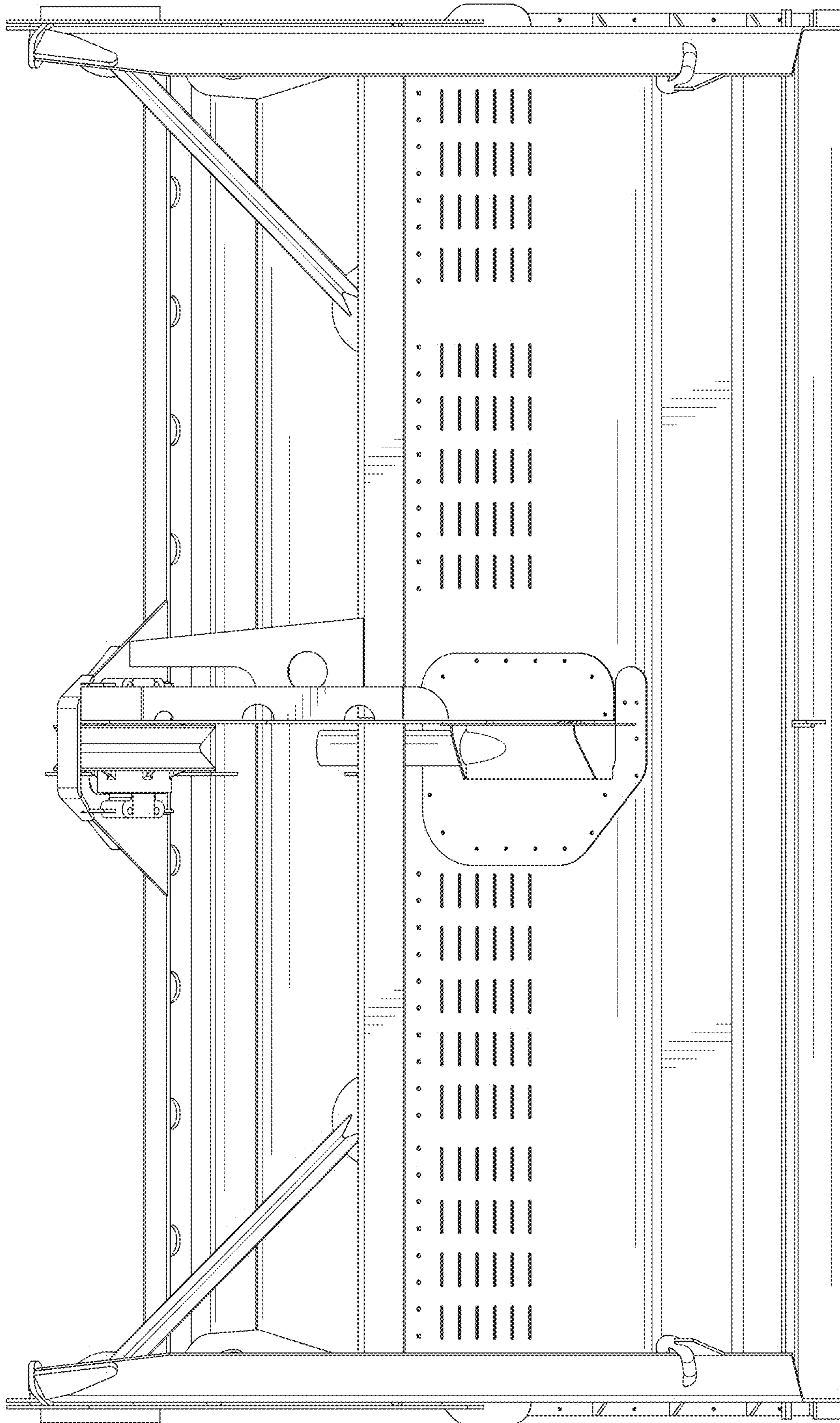


FIG. 3

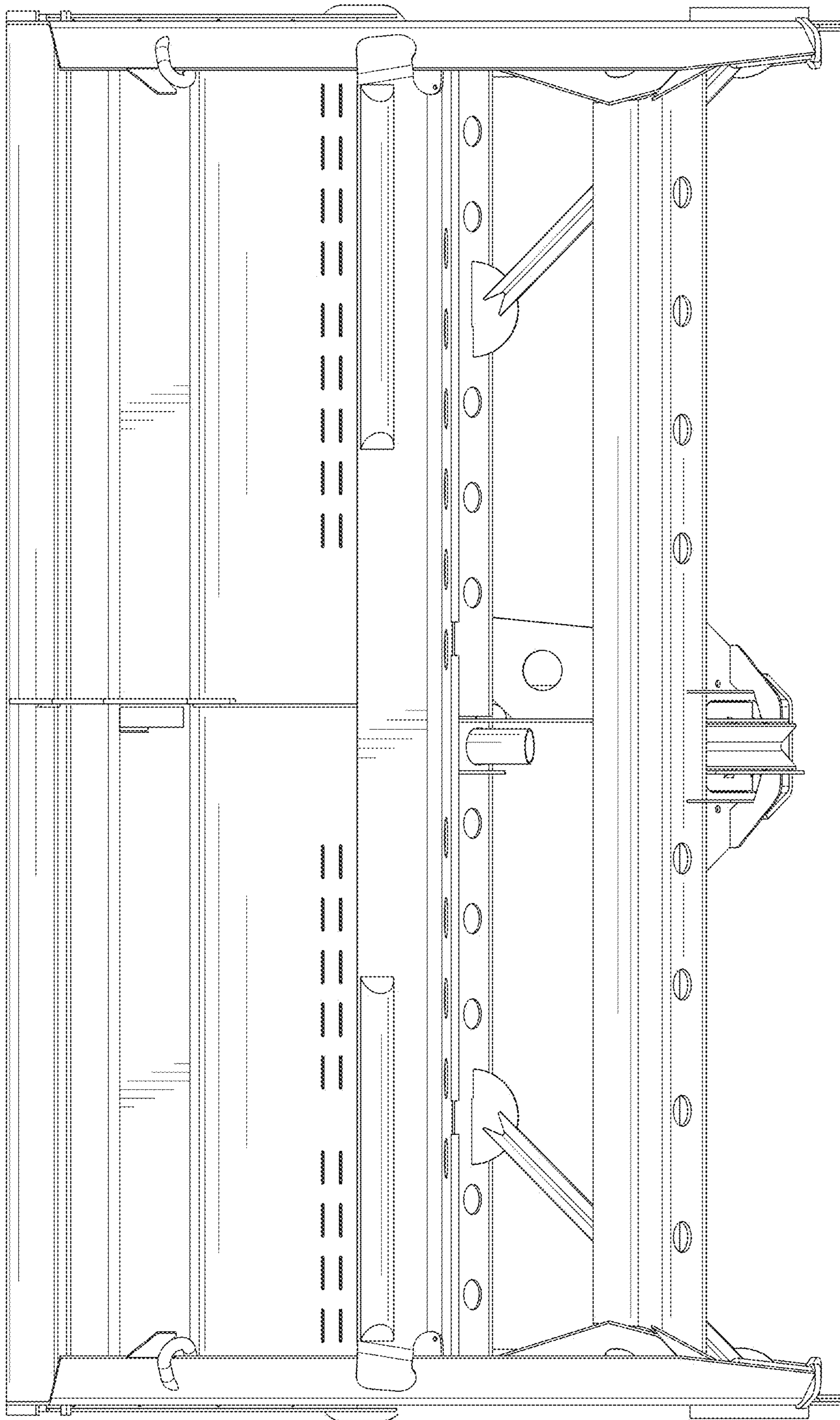
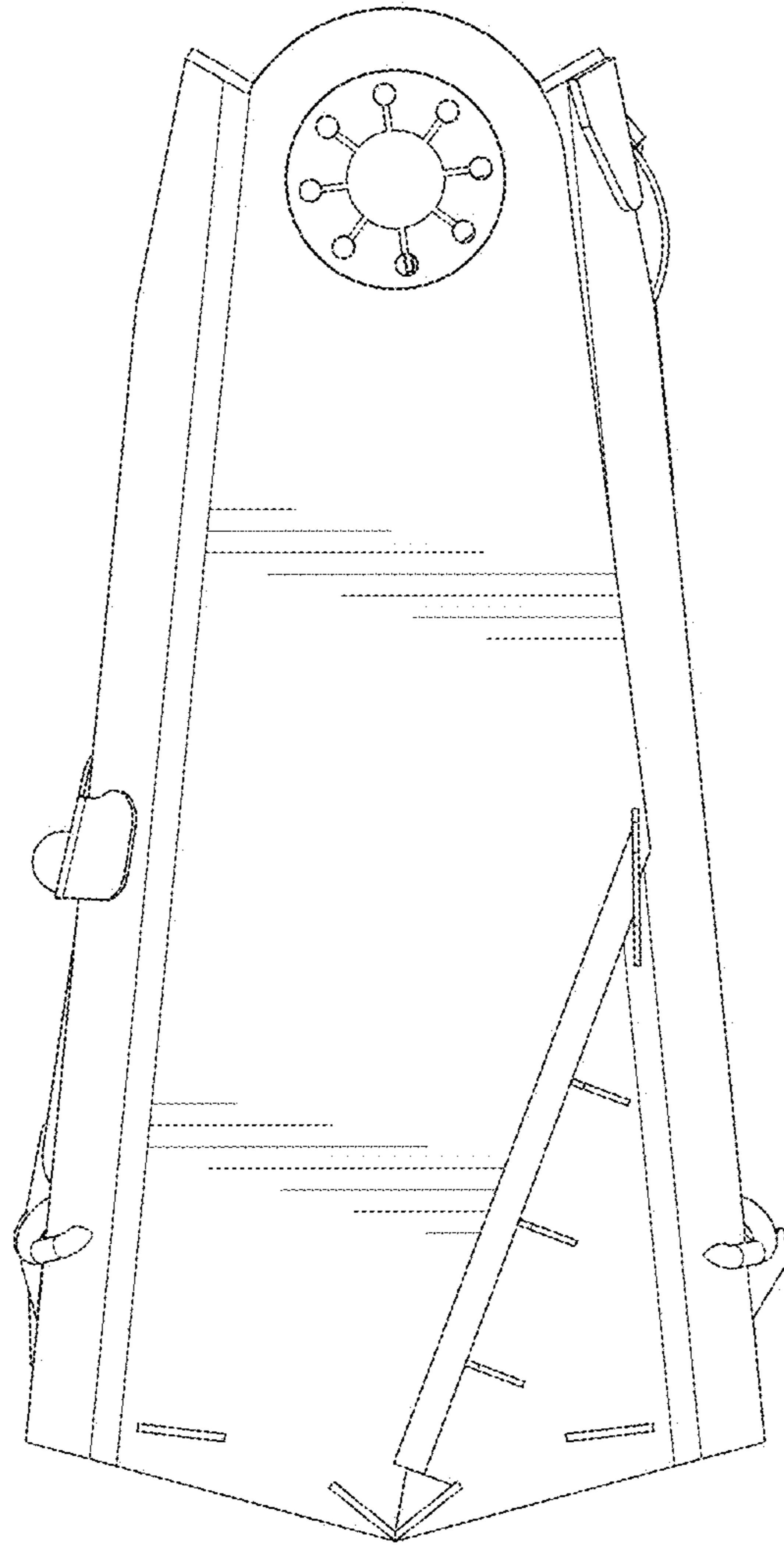
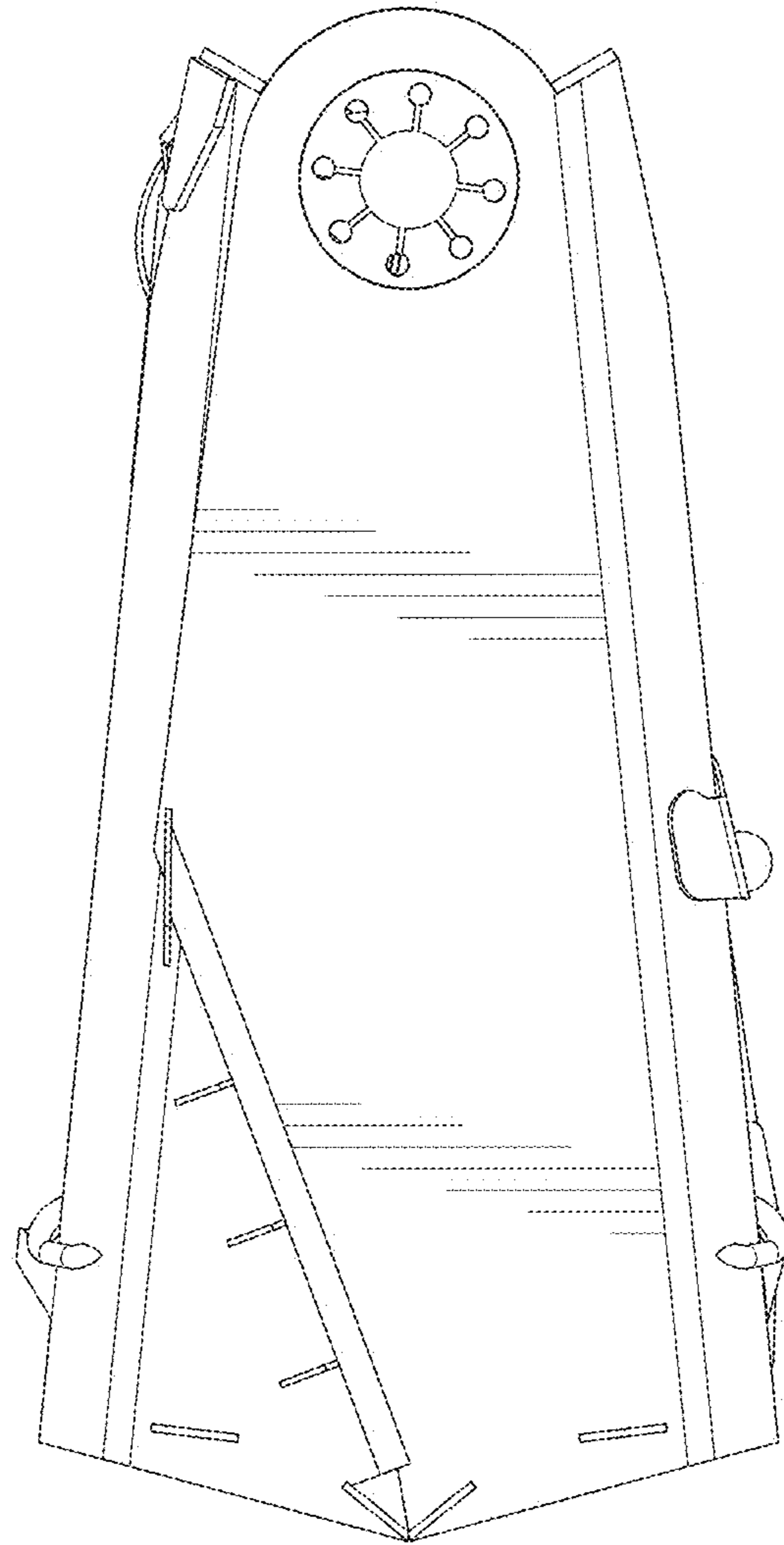


FIG. 4



**FIG. 5**



**FIG. 6**



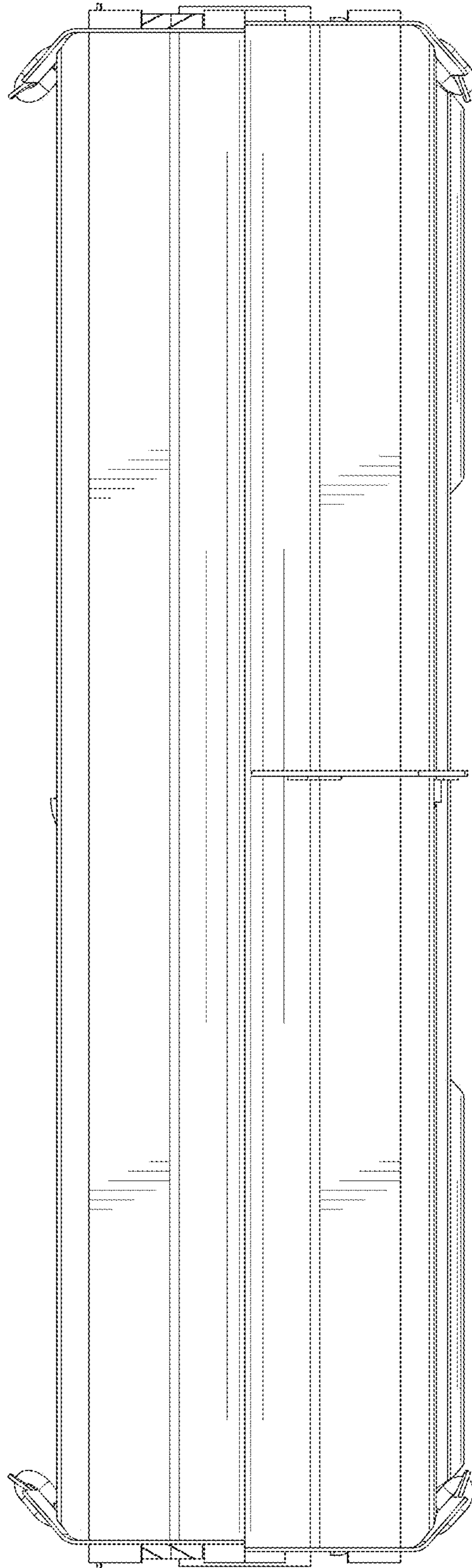


FIG. 7

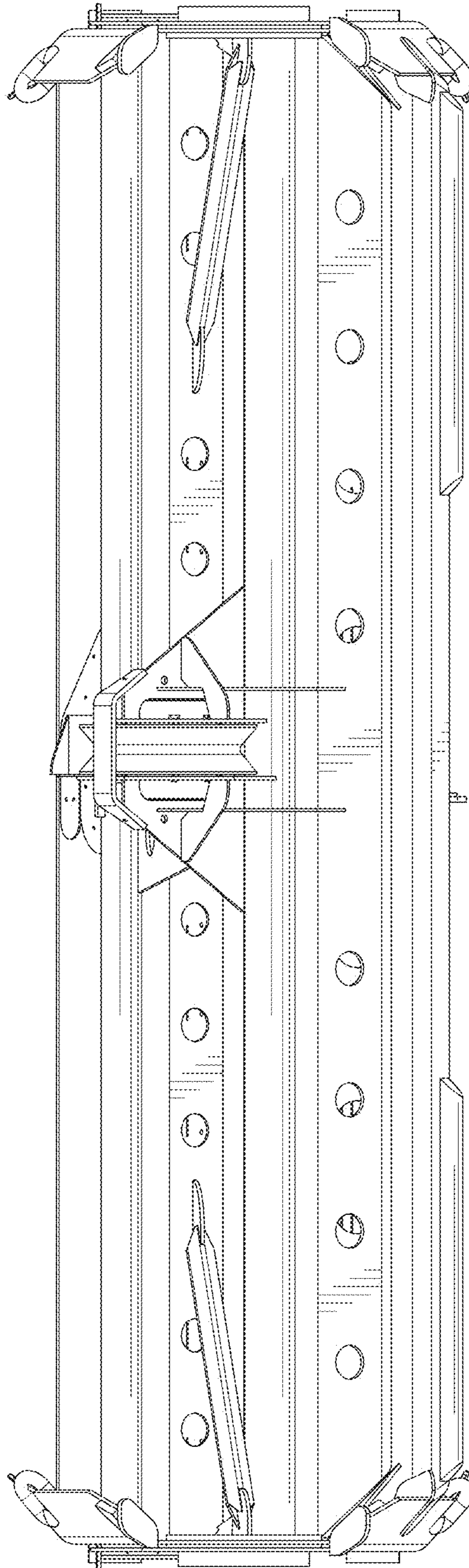


FIG. 8