



US00D969880S

(12) **United States Design Patent**
Bergeron

(10) **Patent No.:** **US D969,880 S**

(45) **Date of Patent:** **** Nov. 15, 2022**

(54) **CLAMSHELL DREDGING BUCKET**

(71) Applicant: **Raymond E. Bergeron**, Trenton, MI
(US)

(72) Inventor: **Raymond E. Bergeron**, Trenton, MI
(US)

(**) Term: **15 Years**

(21) Appl. No.: **29/706,949**

(22) Filed: **Sep. 25, 2019**

(51) **LOC (13) Cl.** **15-03**

(52) **U.S. Cl.**
USPC **D15/32**

(58) **Field of Classification Search**
USPC D15/10-33
CPC ... E02F 3/47; E02F 3/413; B66C 3/02; B65D
2251/20; B65D 2590/245; B65D
2543/00953

See application file for complete search history.

(56) **References Cited**

U.S. PATENT DOCUMENTS

369,842 A	9/1887	Delory	
2,177,196 A *	10/1939	Williams	E02F 3/47 37/340
2,188,672 A *	1/1940	Atkinson	E02F 3/47 37/186
2,314,395 A *	3/1943	Harrington	B66C 3/02 37/186
3,410,593 A *	11/1968	Goodman, Jr.	B66C 3/02 294/68.23
3,949,498 A *	4/1976	Iwata	E02F 3/413 37/340
4,143,901 A	3/1979	van Huuksloot	
D326,859 S *	6/1992	Cody	D15/28

5,649,729 A *	7/1997	Peterson	B66C 3/06 294/68.23
5,984,394 A *	11/1999	Bergeron	B66C 3/02 294/111
D469,786 S *	2/2003	Miller	D15/24
D491,198 S *	6/2004	Rowlands	D15/28
D524,826 S *	7/2006	Boyapally	D15/29
8,240,070 B1	8/2012	Phillips et al.	
D752,655 S *	3/2016	Morinaga	D15/28
9,388,023 B2	7/2016	Gauthier et al.	
D943,009 S *	2/2022	Currey	D15/28
2014/0259814 A1 *	9/2014	Gauthier	E02F 3/413 37/461
2018/0134525 A1 *	5/2018	de Kluijver	B66C 3/12
2019/0292746 A1 *	9/2019	Belesimo	E02F 3/404

FOREIGN PATENT DOCUMENTS

JP 200318413 A 1/2003

* cited by examiner

Primary Examiner — Mark A Goodwin

(74) *Attorney, Agent, or Firm* — Dinsmore & Shohl LLP

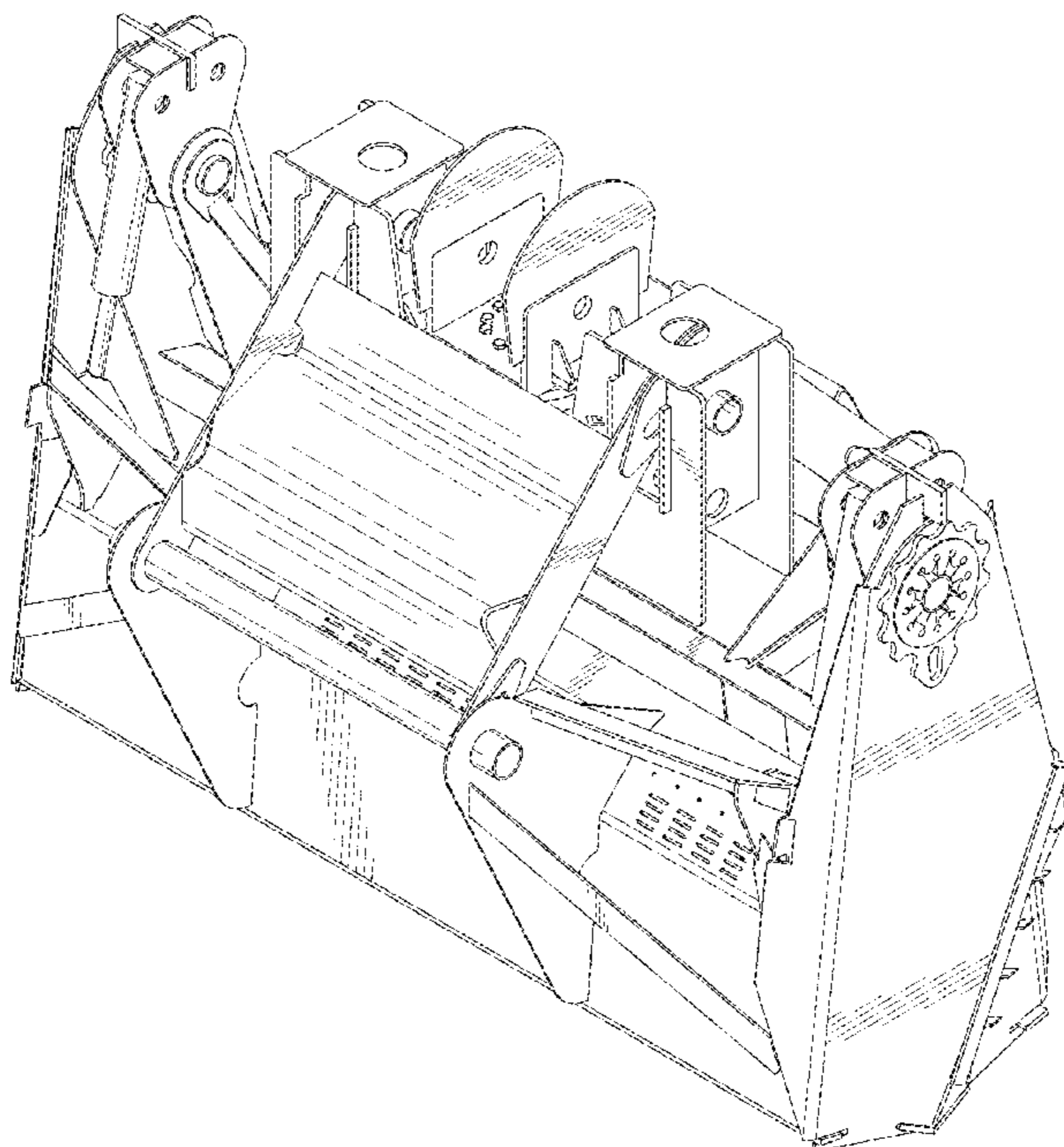
(57) **CLAIM**

The ornamental design for a clamshell dredging bucket, as shown and described.

DESCRIPTION

FIG. 1 is an upper perspective of a clamshell dredging bucket;
FIG. 2 is a lower perspective of the bucket of FIG. 1;
FIG. 3 is a front plan view of the bucket of FIG. 1;
FIG. 4 is a rotated rear plan view of the bucket of FIG. 1;
FIG. 5 is a right side plan view of the bucket of FIG. 1;
FIG. 6 is a left side plan view of the bucket of FIG. 1;
FIG. 7 is a bottom plan view of the bucket of FIG. 1; and,
FIG. 8 is a top plan view of the bucket of FIG. 1.

1 Claim, 8 Drawing Sheets



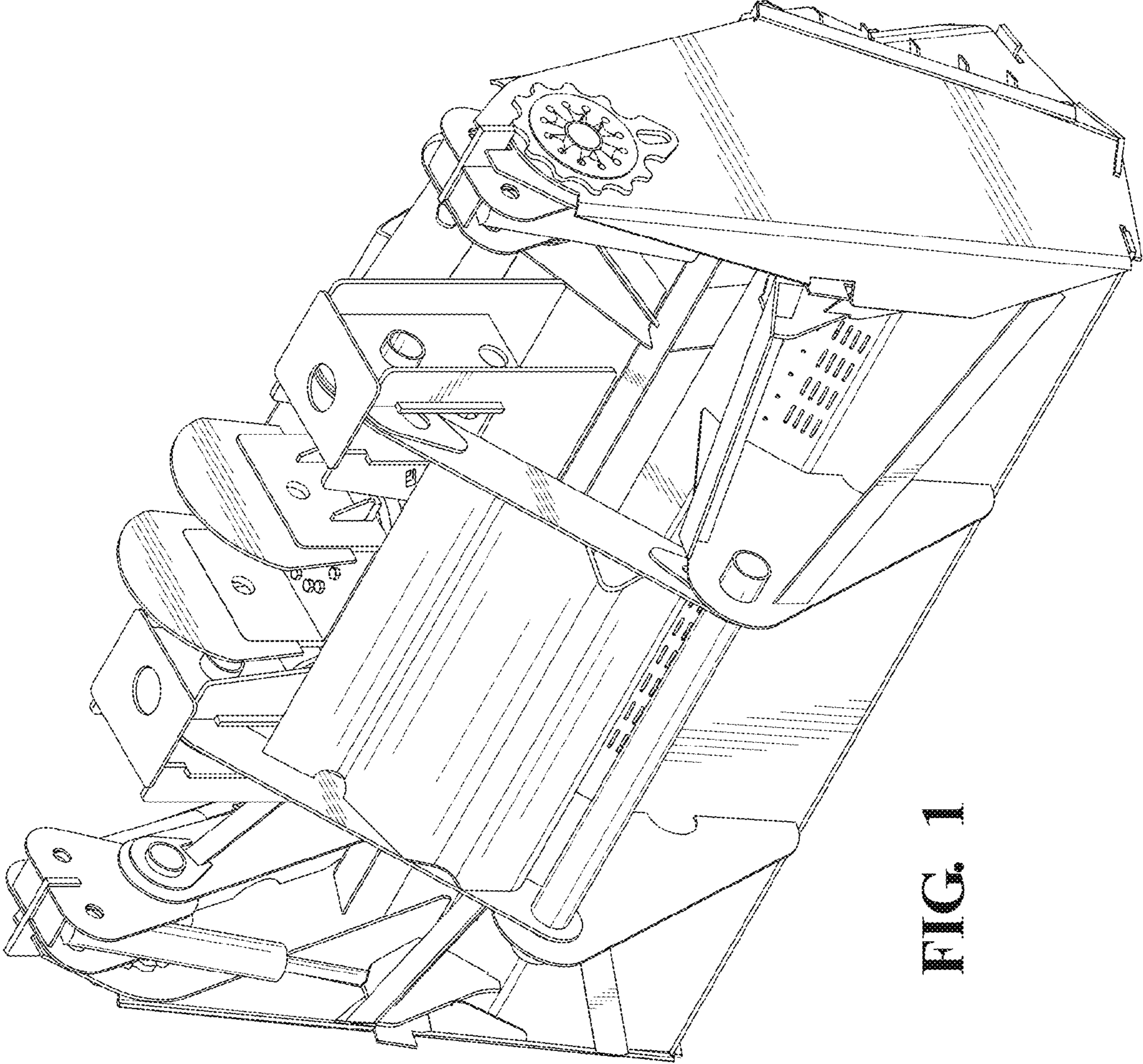


FIG. 1

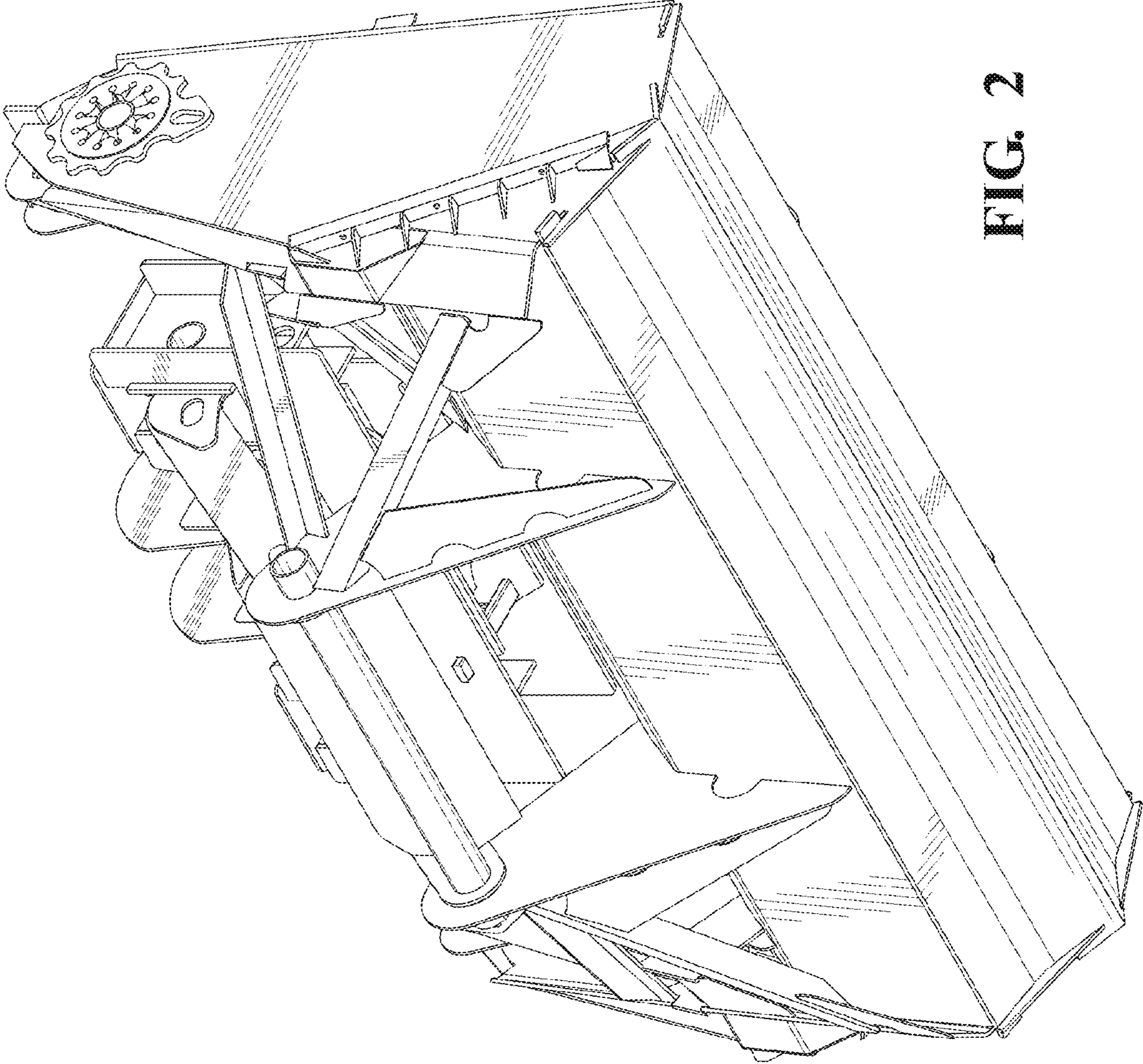


FIG. 2

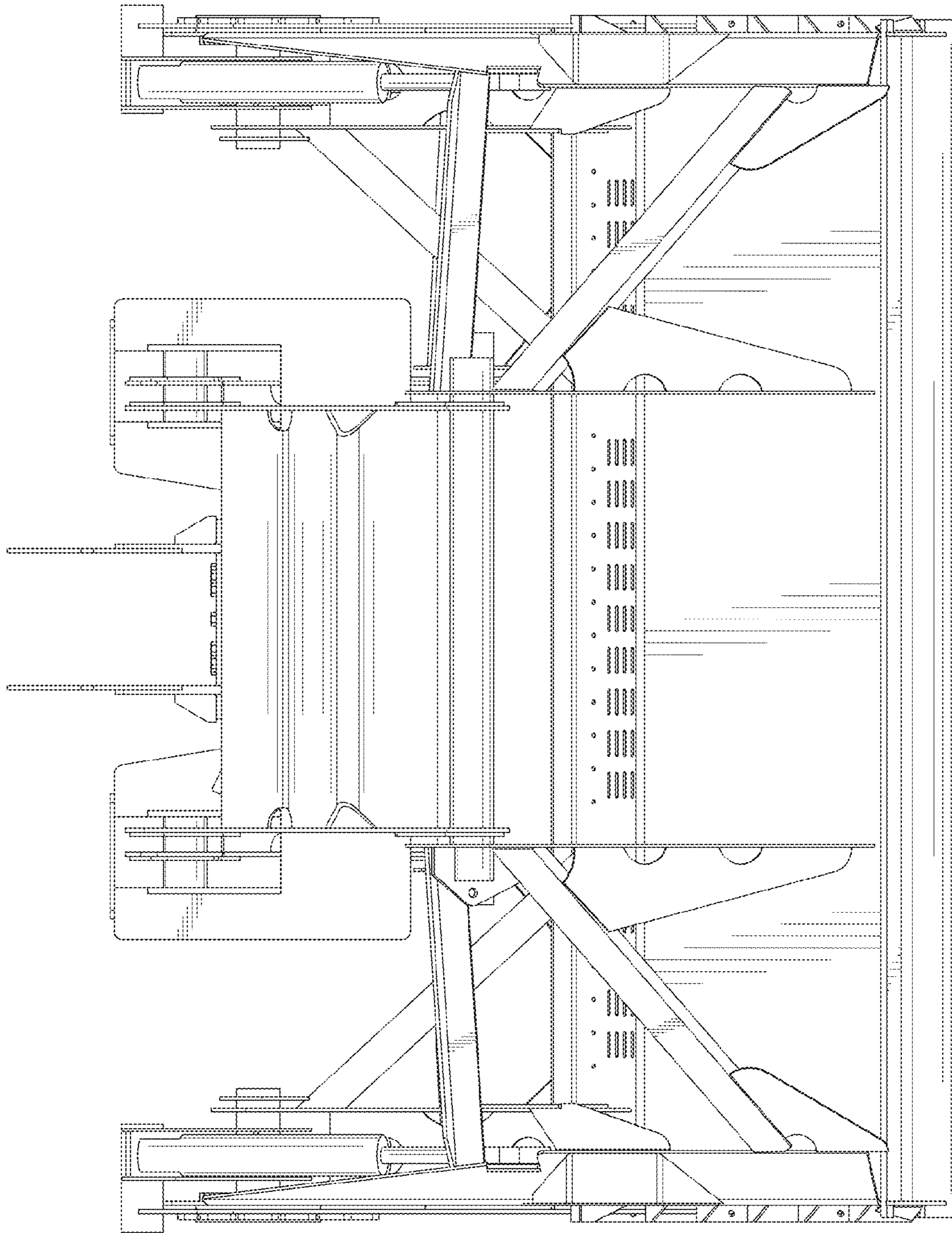


FIG. 3

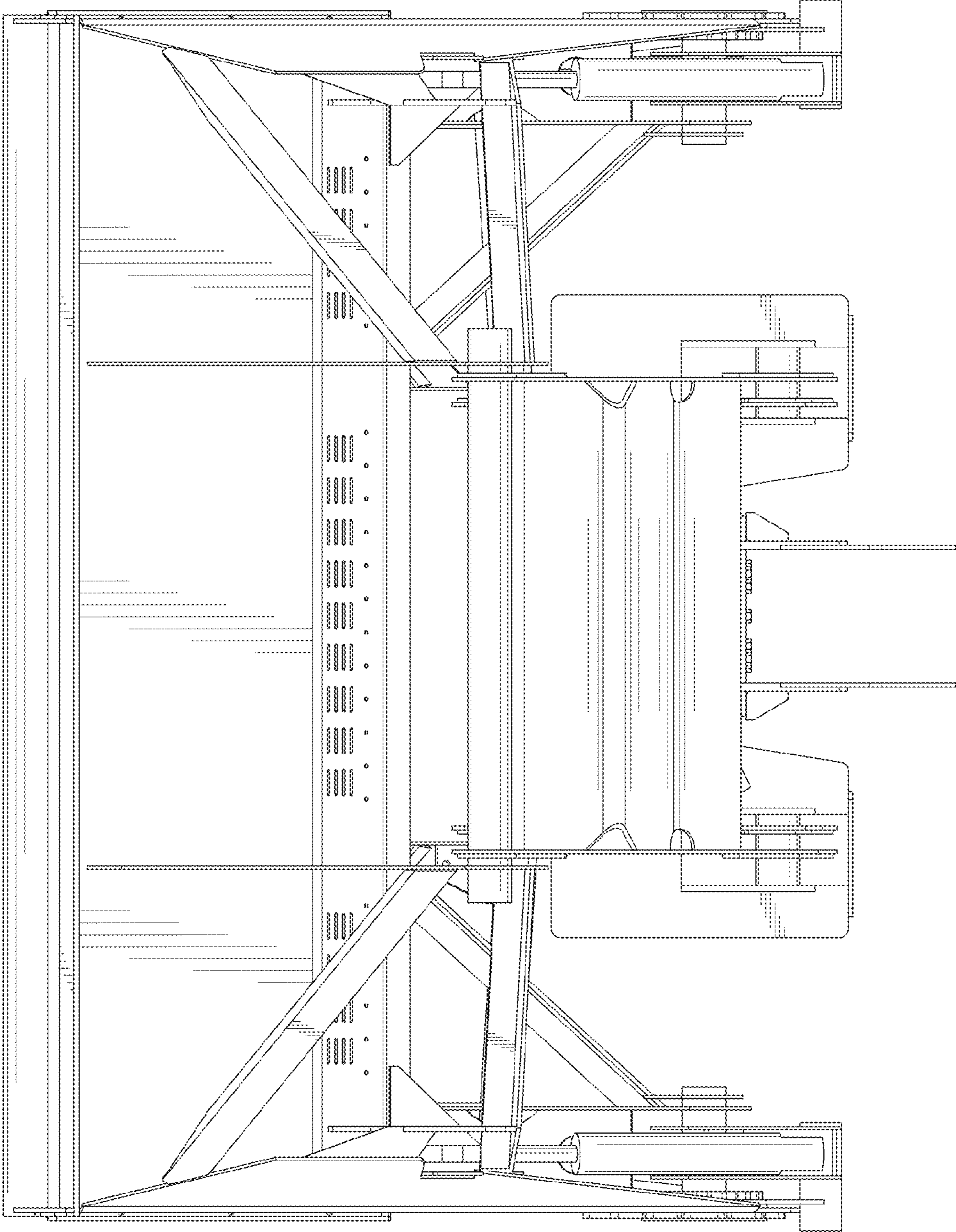


FIG. 4

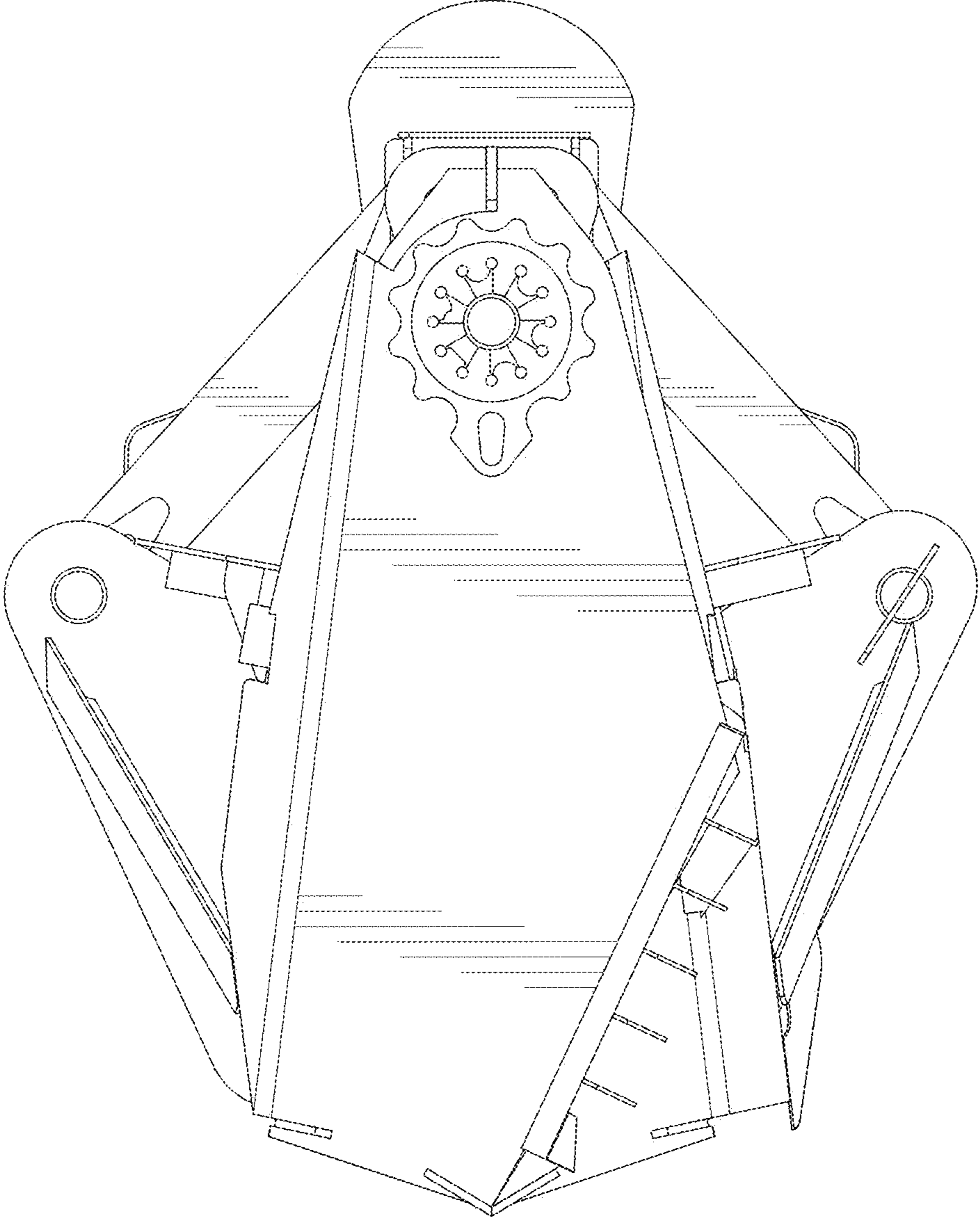


FIG. 5

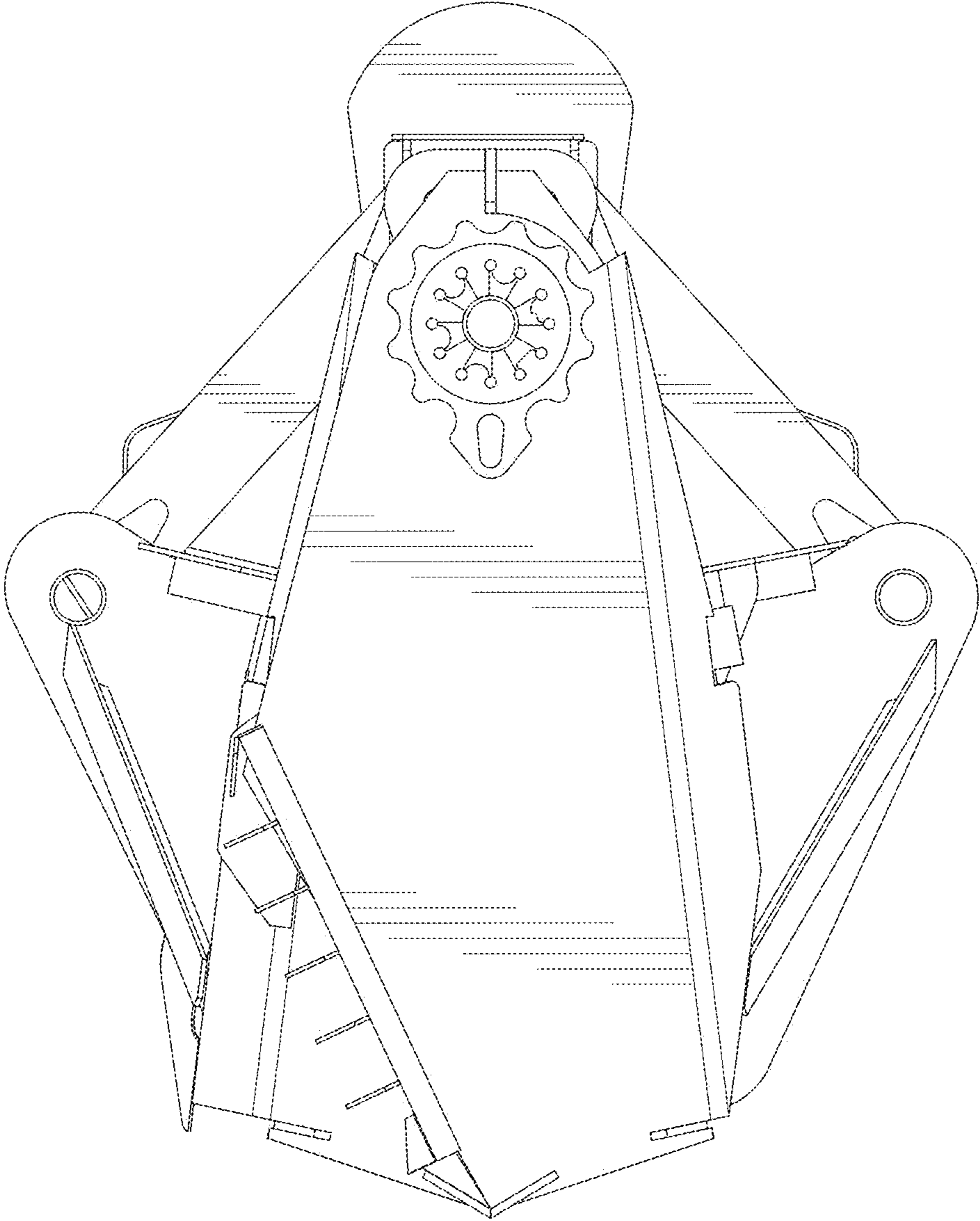


FIG. 6

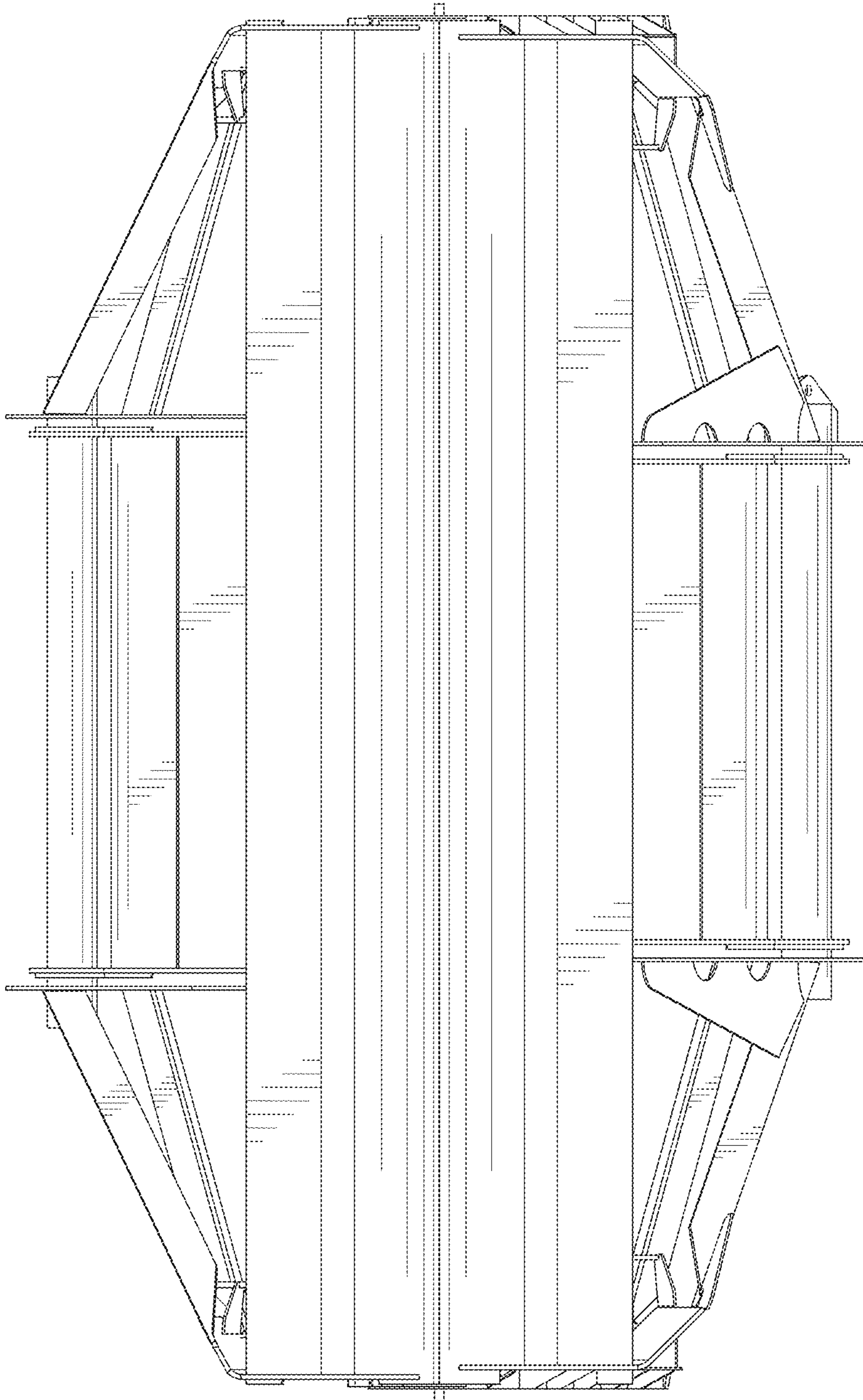


FIG. 7

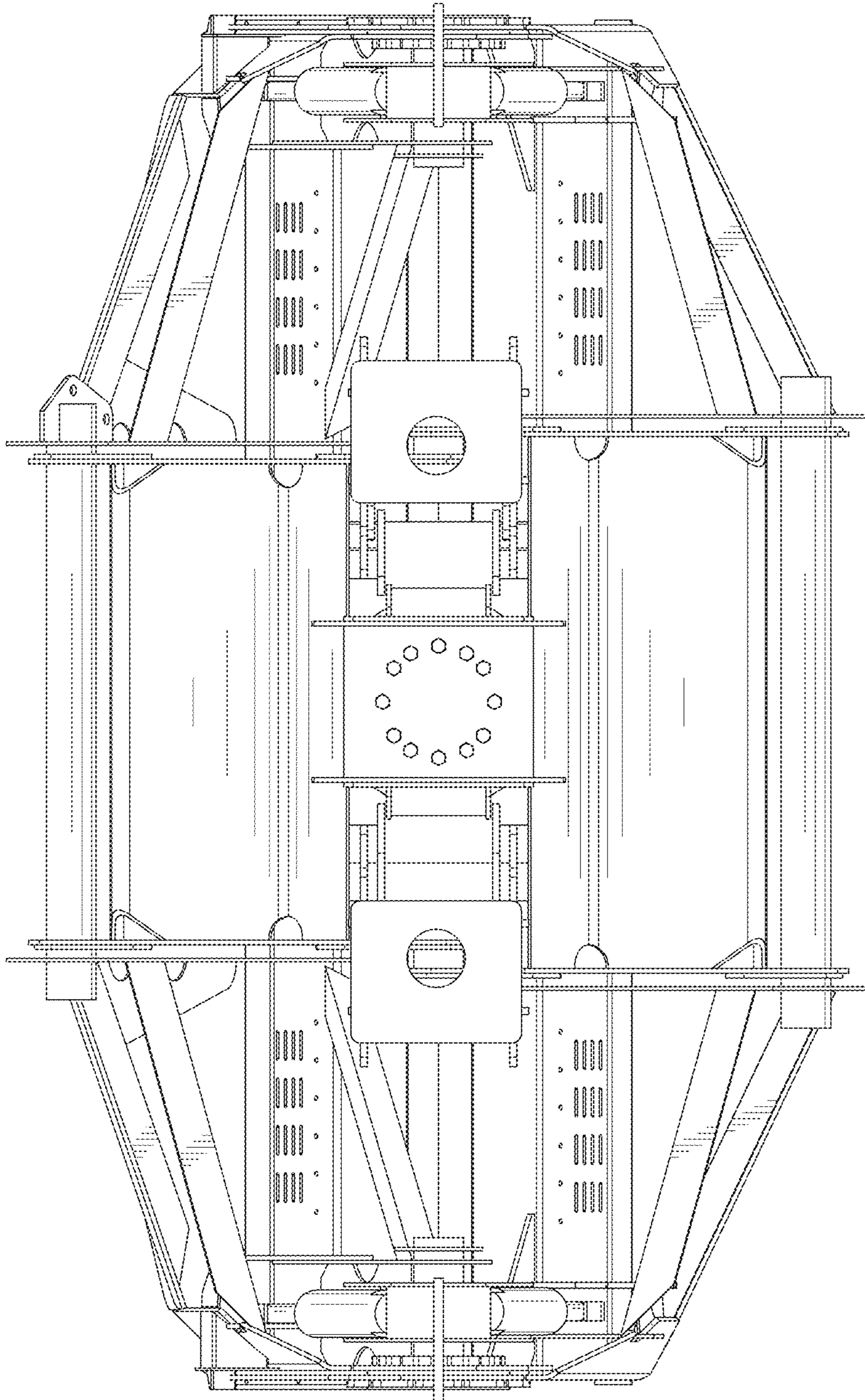


FIG. 8