

US00D969878S

(12) **United States Design Patent** (10) **Patent No.:** **US D969,878 S**
Masuda et al. (45) **Date of Patent:** **** Nov. 15, 2022**

(54) **BACKHOE LOADER**

9/2292; E02F 9/0086; E02F 9/18; F01N 13/001; F01N 2590/08

(71) Applicant: **KUBOTA CORPORATION**, Osaka (JP)

See application file for complete search history.

(72) Inventors: **Ryo Masuda**, Osaka (JP); **Yoshinori Torii**, Osaka (JP); **Yosuke Hayashi**, Osaka (JP)

(56) **References Cited**

U.S. PATENT DOCUMENTS

(73) Assignee: **Kubota Corporation**, Osaka (JP)

(**) Term: **15 Years**

(21) Appl. No.: **35/509,886**

(22) Filed: **Mar. 27, 2020**

(80) **Hague Agreement Data**

Int. Filing Date: **Mar. 27, 2020**

Int. Reg. No.: **DM/209285**

Int. Reg. Date: **Mar. 27, 2020**

Int. Reg. Pub. Date: **Jul. 24, 2020**

(30) **Foreign Application Priority Data**

Sep. 30, 2019 (JP) 2019-021986

Sep. 30, 2019 (JP) 2019-021987

(51) **LOC (13) Cl.** **15-03**

(52) **U.S. Cl.**

USPC **D15/25**

CPC **E02F 3/32 (2013.01)**

(58) **Field of Classification Search**

USPC D15/10, 22-26, 28, 30; 180/89.1, 89.12, 180/89.13, 900, 9.1, 9.2, 9.62; 37/379; 414/694, 699, 722-724, 660, 685, 698, 414/719, 743

CPC E02F 3/32; E02F 3/76; E02F 3/40; E02F 3/325; E02F 3/352; E02F 3/384; E02F 3/425; E02F 3/437; E02F 3/627; E02F 3/964; E02F 9/163; E02F 9/0858; E02F 9/0875; E02F 9/2045; E02F 9/006; E02F 9/0808; E02F 9/0833; E02F 9/2004; E02F 9/207; E02F 9/2091; E02F 9/2246; E02F

5,592,762	A *	1/1997	Hendron	E02F 3/30
					37/403
D538,304	S *	3/2007	Uemura	D15/25
D590,847	S *	4/2009	Yonekura	D15/25
D614,205	S	4/2010	Kuwae et al.		
D628,599	S *	12/2010	Major	D15/23
D629,017	S *	12/2010	Major	D15/23
D692,924	S *	11/2013	Hatanaka	D15/24
8,731,784	B2 *	5/2014	Hayashi	E02F 3/7618
					701/50
D707,261	S *	6/2014	Caboret	D15/24
D711,927	S *	8/2014	Yoshita	D15/24
D716,845	S *	11/2014	Hayami	D15/25
D756,420	S *	5/2016	Okuyama	D15/23
D773,537	S *	12/2016	Fiser	D15/30

(Continued)

Primary Examiner — Richard E Chilcot

(74) *Attorney, Agent, or Firm* — The Webb Law Firm

(57) **CLAIM**

The ornamental design for a backhoe loader, as shown and described.

DESCRIPTION

FIG. 1.1 is a front view of a backhoe loader, in accordance with the present design;

FIG. 1.2 is a back view of the backhoe loader, shown in FIG. 1.1;

FIG. 1.3 is a left side view of the backhoe loader, shown in FIG. 1.1;

FIG. 1.4 is a right side view of the backhoe loader, shown in FIG. 1.1;

FIG. 1.5 is a top view of the backhoe loader, shown in FIG. 1.1;

(Continued)

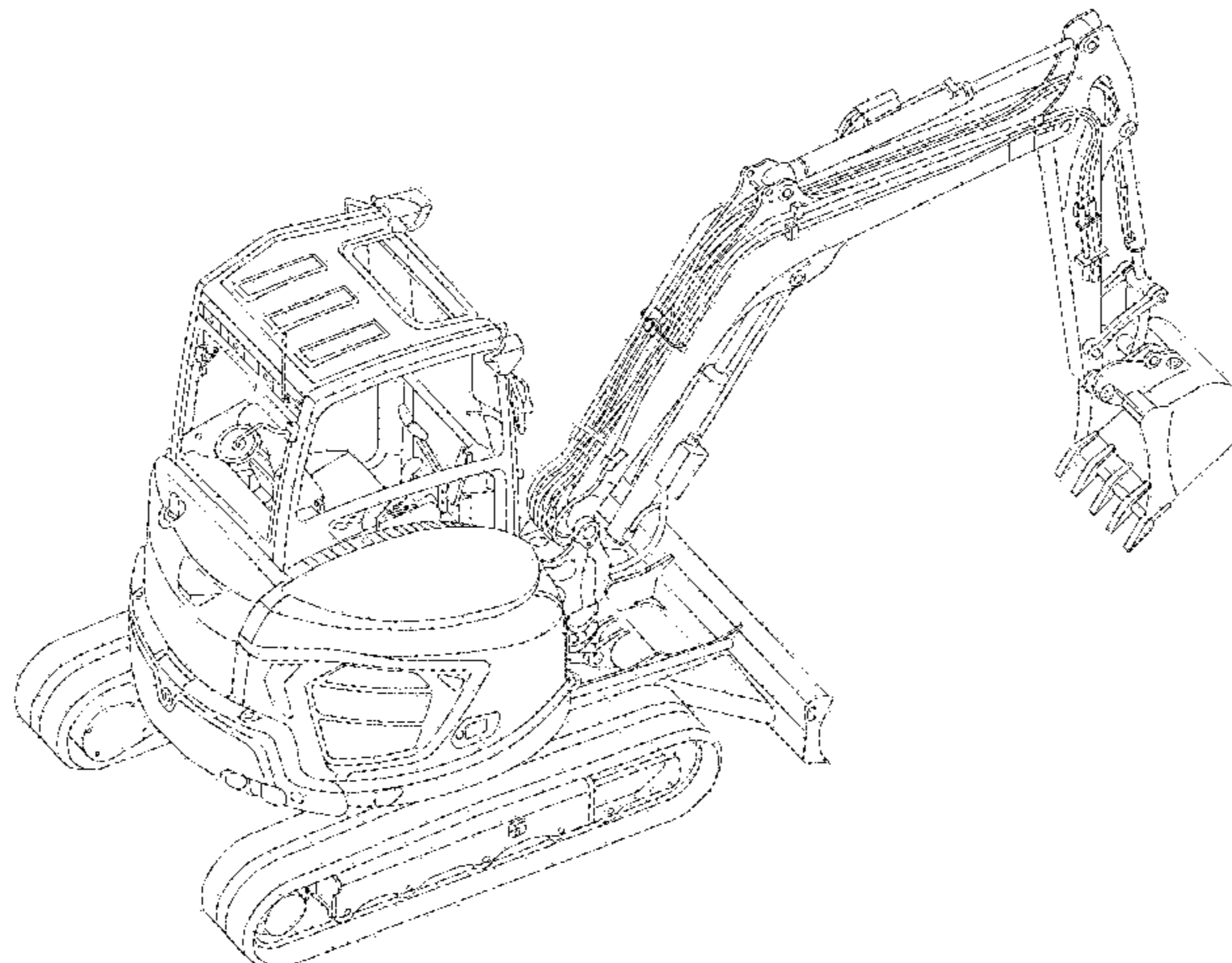


FIG. 1.6 is a perspective top view of the backhoe loader, shown in FIG. 1.1.

1 Claim, 6 Drawing Sheets

(56)

References Cited

U.S. PATENT DOCUMENTS

D774,112	S	*	12/2016	Fiser	D15/30
D785,051	S	*	4/2017	Okuyama	D15/23
D786,311	S	*	5/2017	Okuyama	D15/23
D830,421	S	*	10/2018	Colclough	D15/24
D830,422	S	*	10/2018	Colclough	D15/24
D830,426	S	*	10/2018	Colclough	D15/25
D842,344	S	*	3/2019	Okuyama	D15/23
D855,082	S	*	7/2019	Okuyama	D15/25
D855,660	S	*	8/2019	Jilbert	D15/25
10,550,546	B2	*	2/2020	Hirano	E02F 9/163
D901,553	S	*	11/2020	Major	D15/30
D908,739	S	*	1/2021	Zong	D15/25
D909,423	S	*	2/2021	Zhao	D15/25
D912,098	S	*	3/2021	Tanaka	D15/22
D912,099	S	*	3/2021	Manna	D15/22
D912,101	S	*	3/2021	Pastier	D15/25

D915,470	S	*	4/2021	Ninomiya	D15/25
D921,057	S	*	6/2021	Price	D15/25
D923,666	S	*	6/2021	Ishii	D15/22
D927,559	S	*	8/2021	Shinde	D15/24
2006/0225312	A1	*	10/2006	Striegel	E02F 9/2825 37/443
2009/0101370	A1	*	4/2009	Tasovski	E02F 3/8152 172/1
2011/0176899	A1	*	7/2011	Huissoon	E02F 9/08 414/687
2013/0322999	A1	*	12/2013	Kimura	B60J 5/0487 414/687
2014/0140799	A1	*	5/2014	Moriguchi	E02F 9/0875 414/695.5
2014/0161578	A1	*	6/2014	Kimura	E02F 9/2004 414/687
2015/0267378	A1	*	9/2015	Murtha	E02F 3/7631 37/410
2016/0145827	A1	*	5/2016	Kami	G05B 19/416 701/50
2016/0273190	A1	*	9/2016	Doi	E02F 9/18
2016/0281326	A1	*	9/2016	Ozaki	E02F 9/0866
2016/0281327	A1	*	9/2016	Hashimoto	E02F 9/0866
2017/0083760	A1	*	3/2017	Kiyota	E02F 3/32
2017/0175357	A1	*	6/2017	Doi	B60R 11/00

* cited by examiner

Fig. 1.1

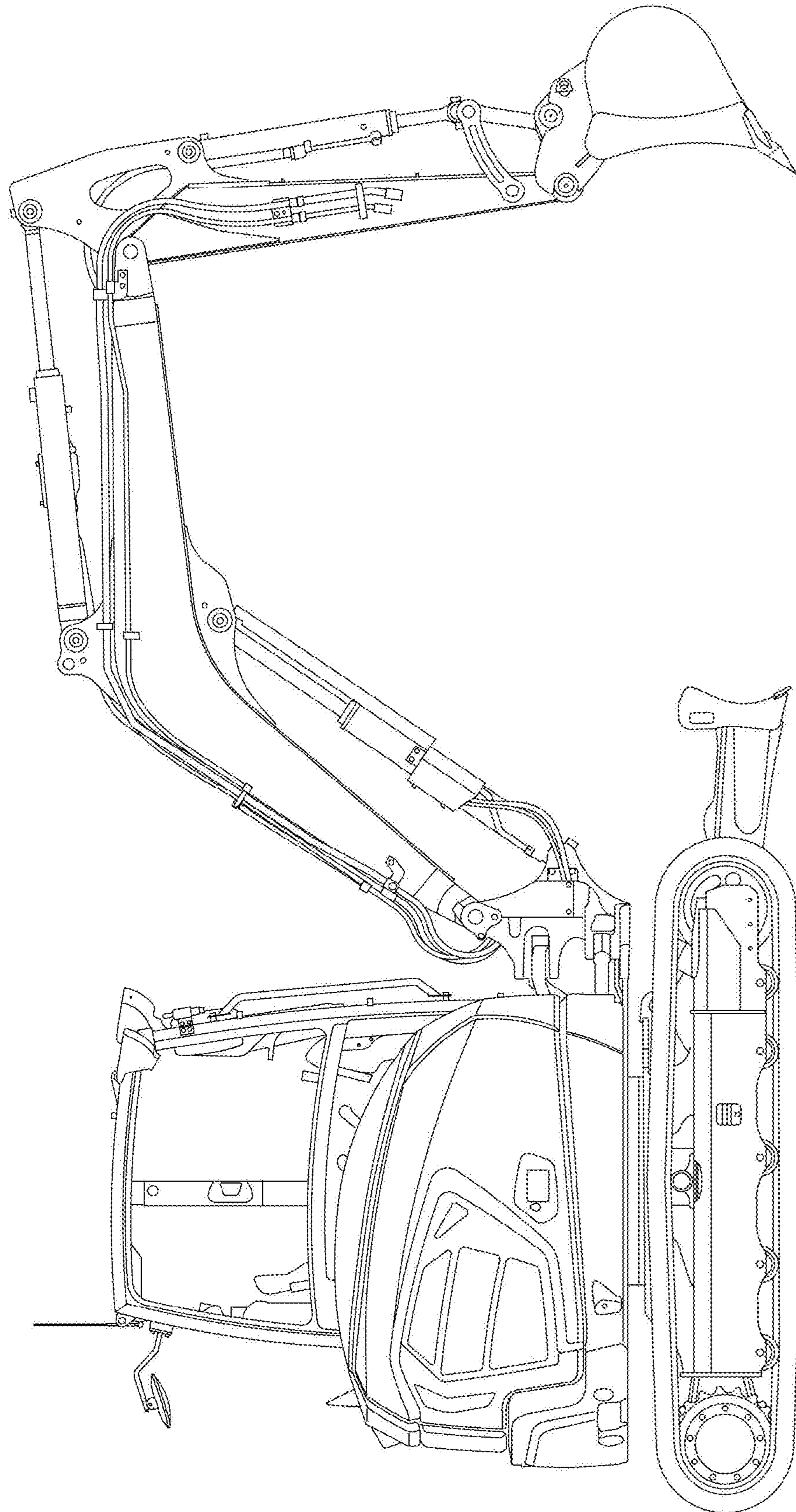


Fig. 1.2

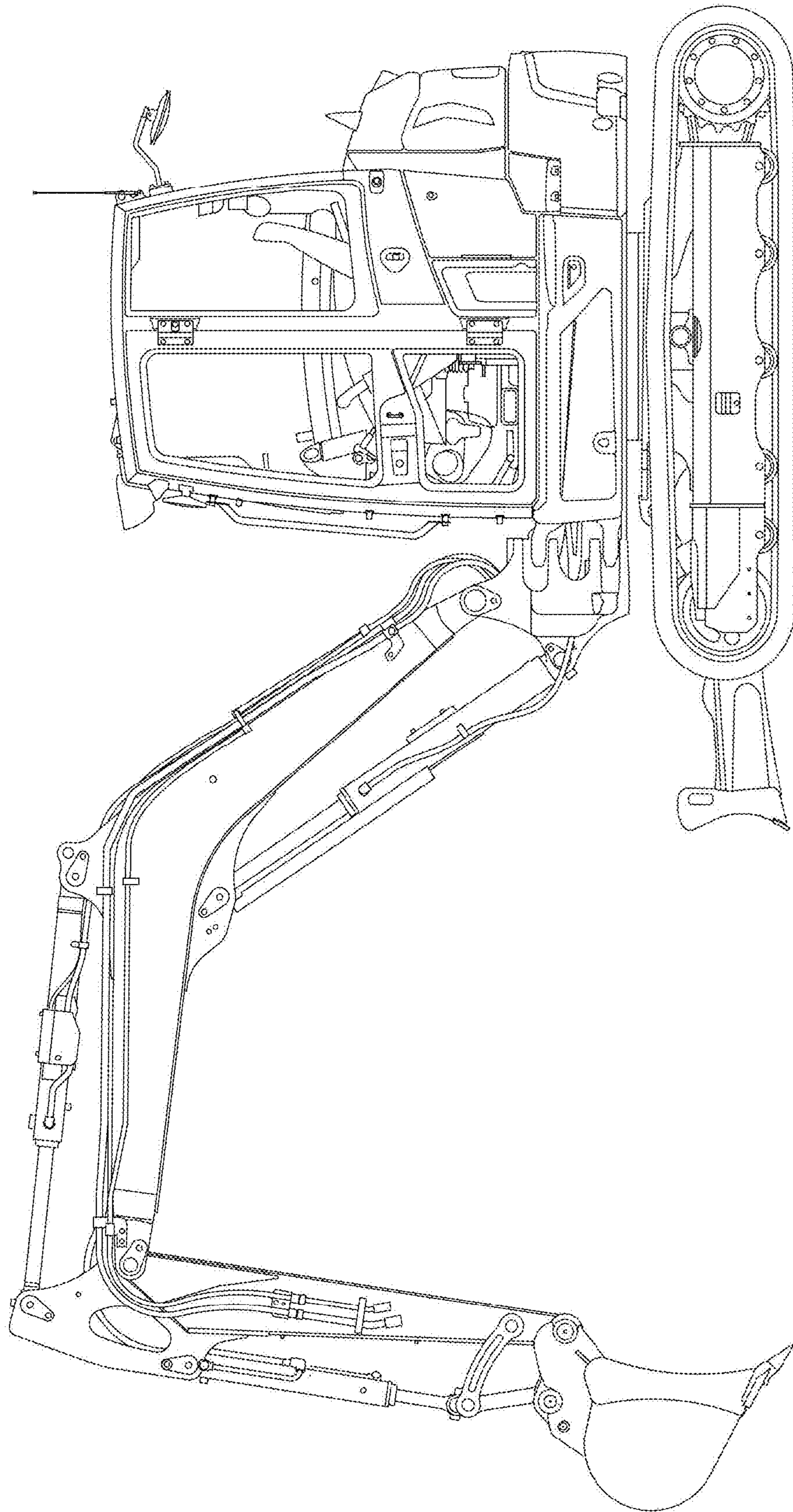


Fig. 1.3

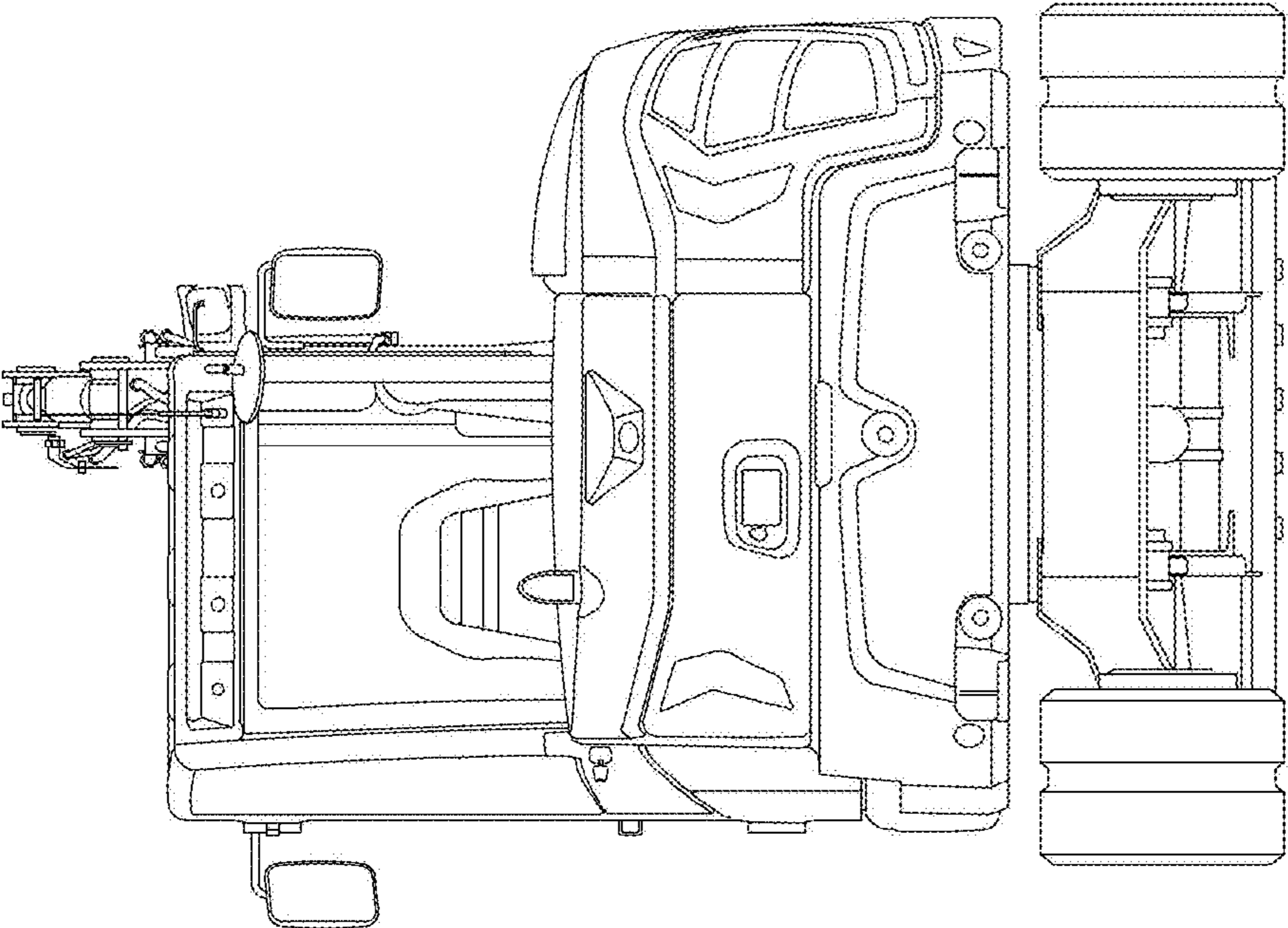


Fig. 1.4

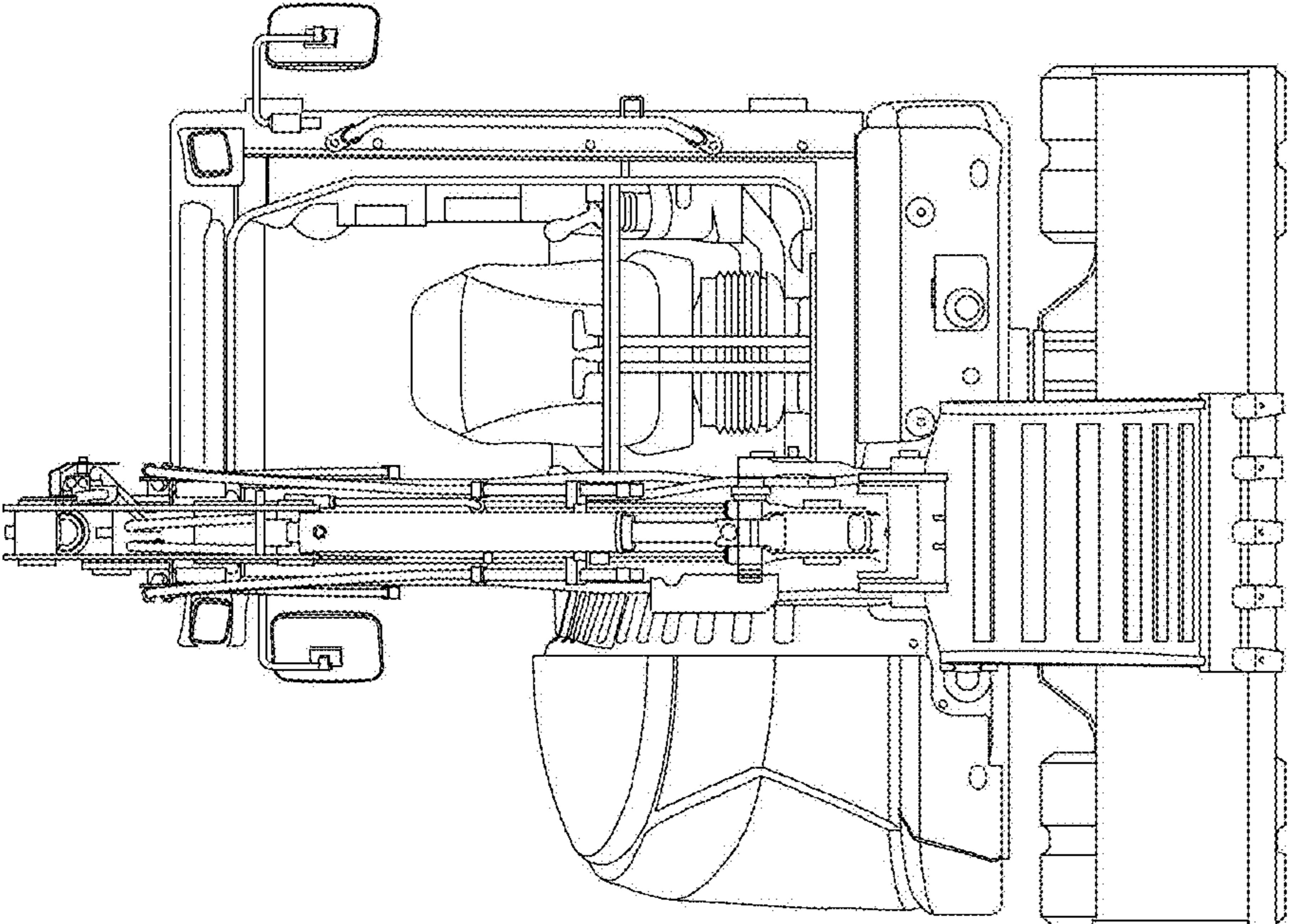


Fig. 1.5

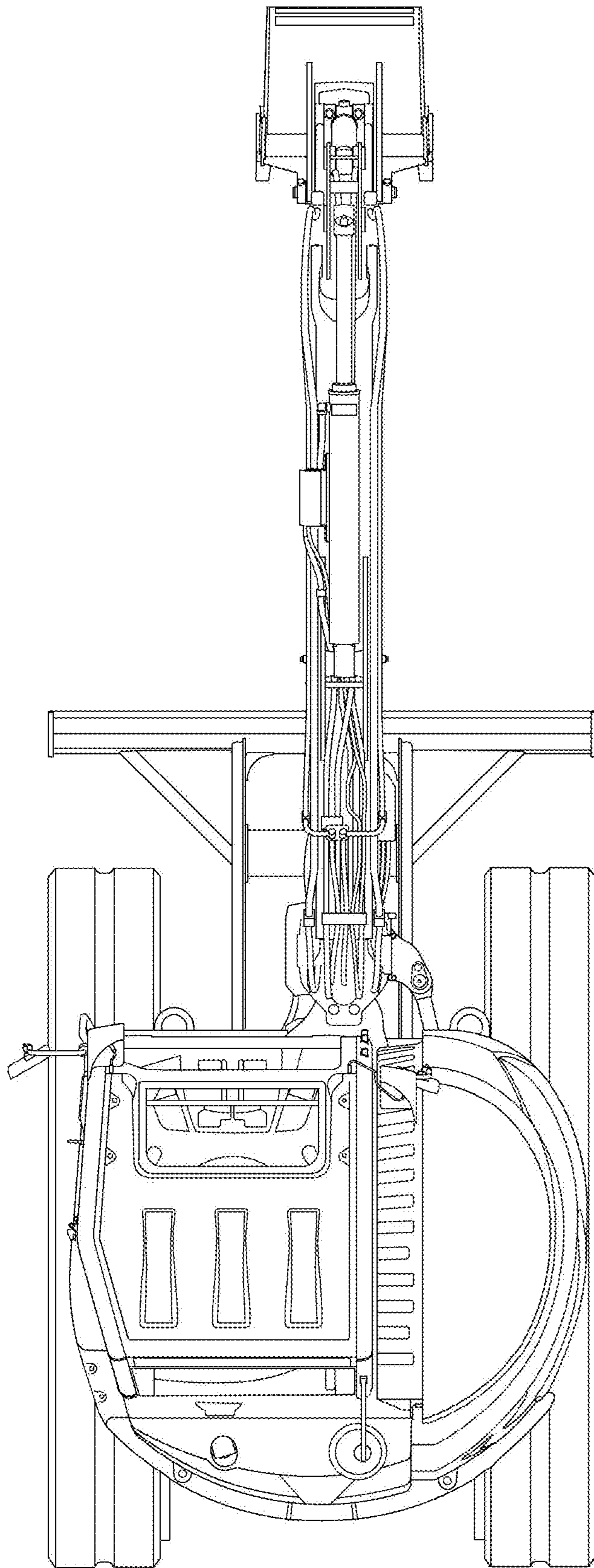


Fig. 1.6

