



US00D969877S

(12) **United States Design Patent**
Phillips

(10) **Patent No.:** **US D969,877 S**

(45) **Date of Patent:** **** Nov. 15, 2022**

(54) **NUBBIN HAVING A GUIDE FOR A GRIPPING TOOL**

(71) Applicant: **William Thomas Phillips, Inc.**, Tyler, TX (US)

(72) Inventor: **William Thomas Phillips**, Tyler, TX (US)

(73) Assignee: **William Thomas Phillips, Inc.**, Tyler, TX (US)

(**) Term: **15 Years**

(21) Appl. No.: **29/841,812**

(22) Filed: **Jun. 8, 2022**

Related U.S. Application Data

(63) Continuation of application No. 29/814,681, filed on Nov. 8, 2021, now Pat. No. Des. 956,107, which is a continuation of application No. 29/720,308, filed on Jan. 10, 2020, now Pat. No. Des. 935,491.

(51) **LOC (13) Cl.** **15-03**

(52) **U.S. Cl.**
USPC **D15/21**

(58) **Field of Classification Search**
USPC D15/21, 28; 294/86.1; 166/380
CPC E21B 19/24; E21B 17/00; B25J 15/0683
See application file for complete search history.

(56) **References Cited**

U.S. PATENT DOCUMENTS

- 3,475,038 A * 10/1969 Matherne F16L 15/001
285/27
- 4,361,353 A * 11/1982 Vinson E21B 17/1007
294/90
- D413,126 S * 8/1999 Warren D15/139
- D420,013 S * 2/2000 Warren D15/139
- 7,909,120 B2 * 3/2011 Slack E21B 19/07
175/423

- D657,807 S * 4/2012 Frazier D15/139
- D672,794 S * 12/2012 Frazier D15/139
- 8,348,320 B2 * 1/2013 Latiolais, Jr. E21B 19/12
294/119.2
- 8,454,066 B2 * 6/2013 Slack E21B 19/07
294/93
- D687,862 S * 8/2013 Drenth D15/21
- D694,281 S * 11/2013 Frazier D15/21
- D694,282 S * 11/2013 Frazier E21B 33/134
D15/21
- D698,370 S * 1/2014 Frazier D15/21
- D703,698 S * 4/2014 Frazier D15/21

(Continued)

Primary Examiner — Mark A Goodwin

(74) *Attorney, Agent, or Firm* — Vincent J. Allen;
Carstens, Allen & Gourley, LLP

(57) **CLAIM**

The ornamental design for a nubbin having a guide for a gripping tool, as shown and described.

DESCRIPTION

FIG. 1 is a perspective view taken from the front, the bottom and the left of the nubbin having a guide for a gripping tool showing our new design;

FIG. 2 is a perspective view taken from the rear, the bottom and the right thereof;

FIG. 3 is a perspective view taken from the front, the top, and the right thereof;

FIG. 4 is a front view thereof;

FIG. 5 is a rear view thereof;

FIG. 6 is a right side view thereof;

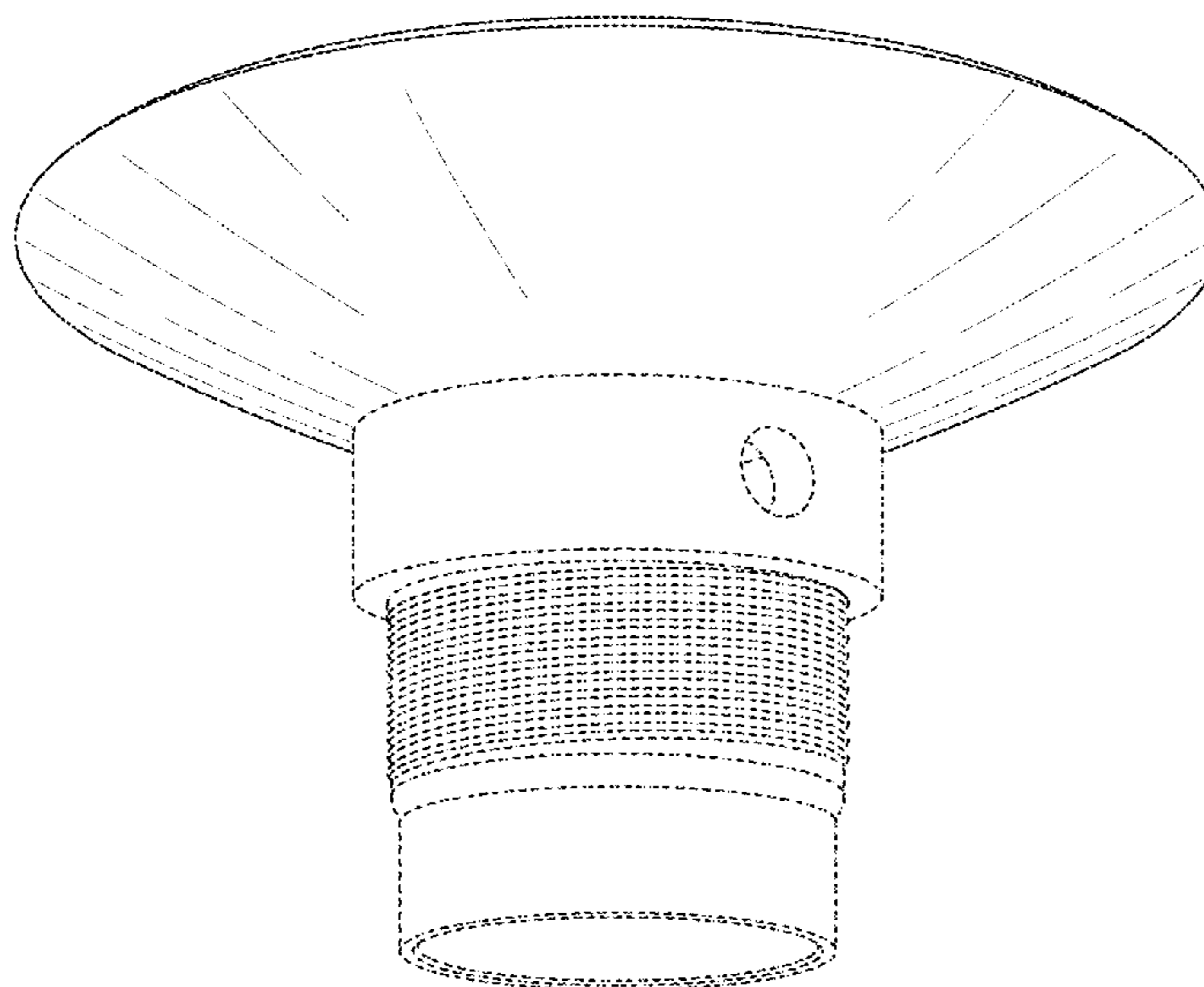
FIG. 7 is a left side view thereof;

FIG. 8 is a top view thereof; and,

FIG. 9 is a bottom view thereof.

In the Figures, broken lines depict portions of the nubbin having a guide for a gripping tool that form no part of the claimed design.

1 Claim, 7 Drawing Sheets



(56)

References Cited

U.S. PATENT DOCUMENTS

D783,133	S *	4/2017	Fitzhugh	D15/21
D806,136	S *	12/2017	Saulou	D15/21
D827,000	S *	8/2018	VanLue	E21B 23/01
				D15/138
D882,641	S *	4/2020	Moja	D15/21
D883,344	S *	5/2020	Bleeker	D15/21
D935,491	S *	11/2021	Phillips	D15/21
2009/0242192	A1 *	10/2009	Jensen	E21B 19/24
				166/380
2012/0006532	A1 *	1/2012	Frazier	E21B 33/129
				166/196
2014/0083676	A1 *	3/2014	Miner	E21B 19/24
				166/85.5
2015/0354297	A1 *	12/2015	Arp	E21B 19/24
				166/77.51
2016/0153251	A1 *	6/2016	Frith	E21B 19/16
				166/380
2017/0058647	A1 *	3/2017	Langlais	E21B 43/045
2019/0366559	A1 *	12/2019	Zanella	B25J 15/0061
2019/0368281	A1 *	12/2019	Haggart	E21B 19/02
2021/0129353	A1 *	5/2021	Chae	B25B 11/007
2021/0213625	A1 *	7/2021	Phillips	B25J 15/0683

* cited by examiner

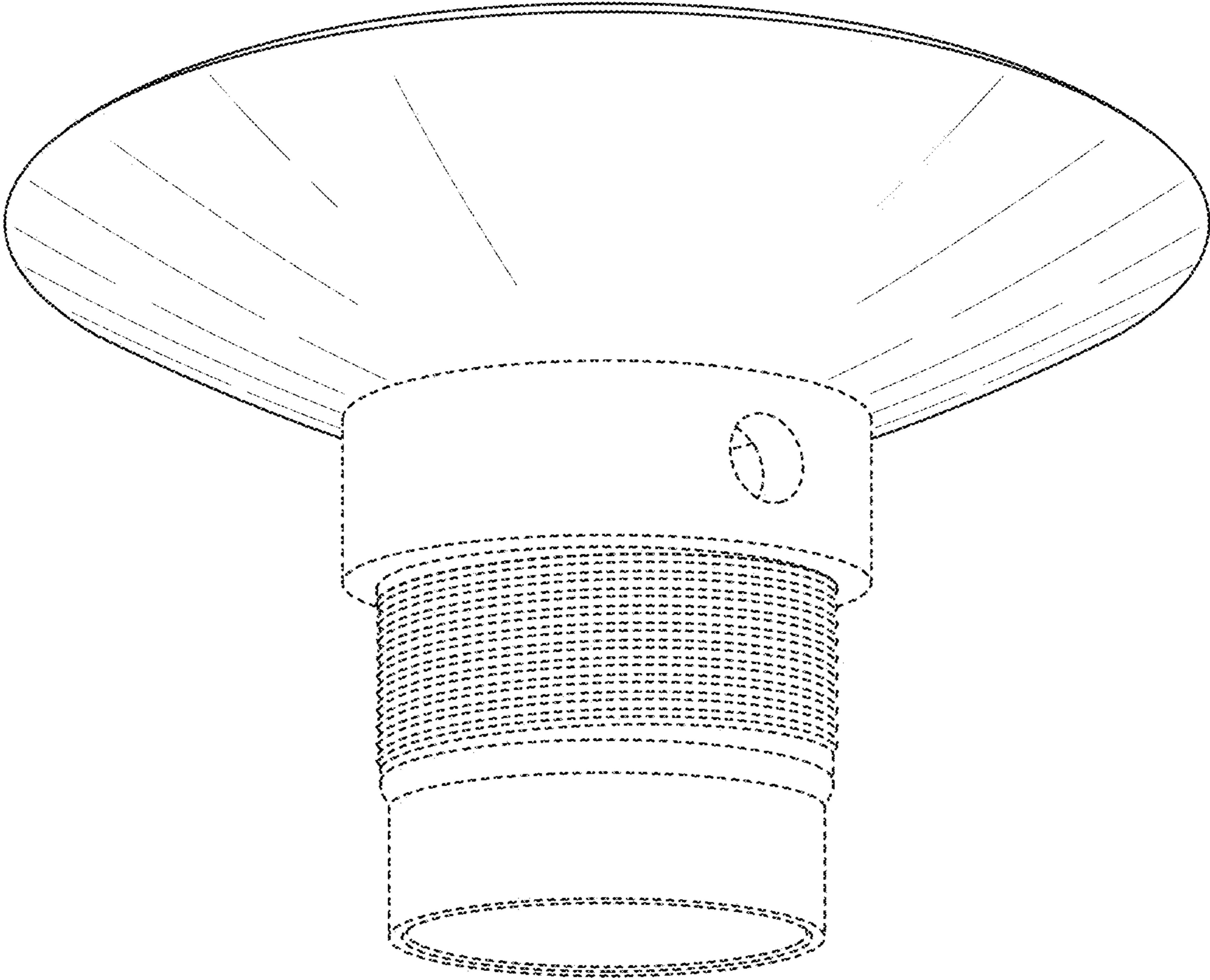


FIG. 1

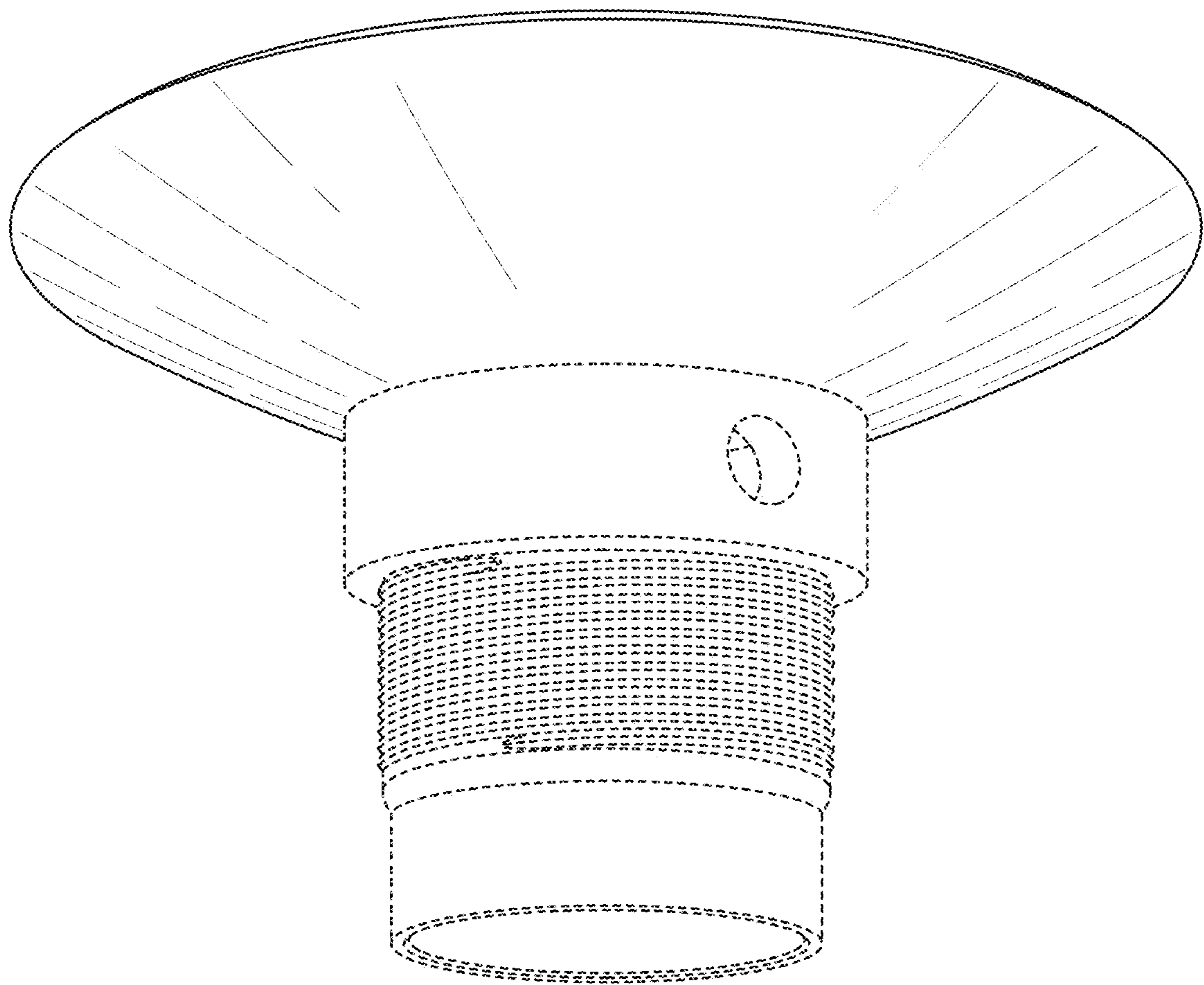


FIG. 2

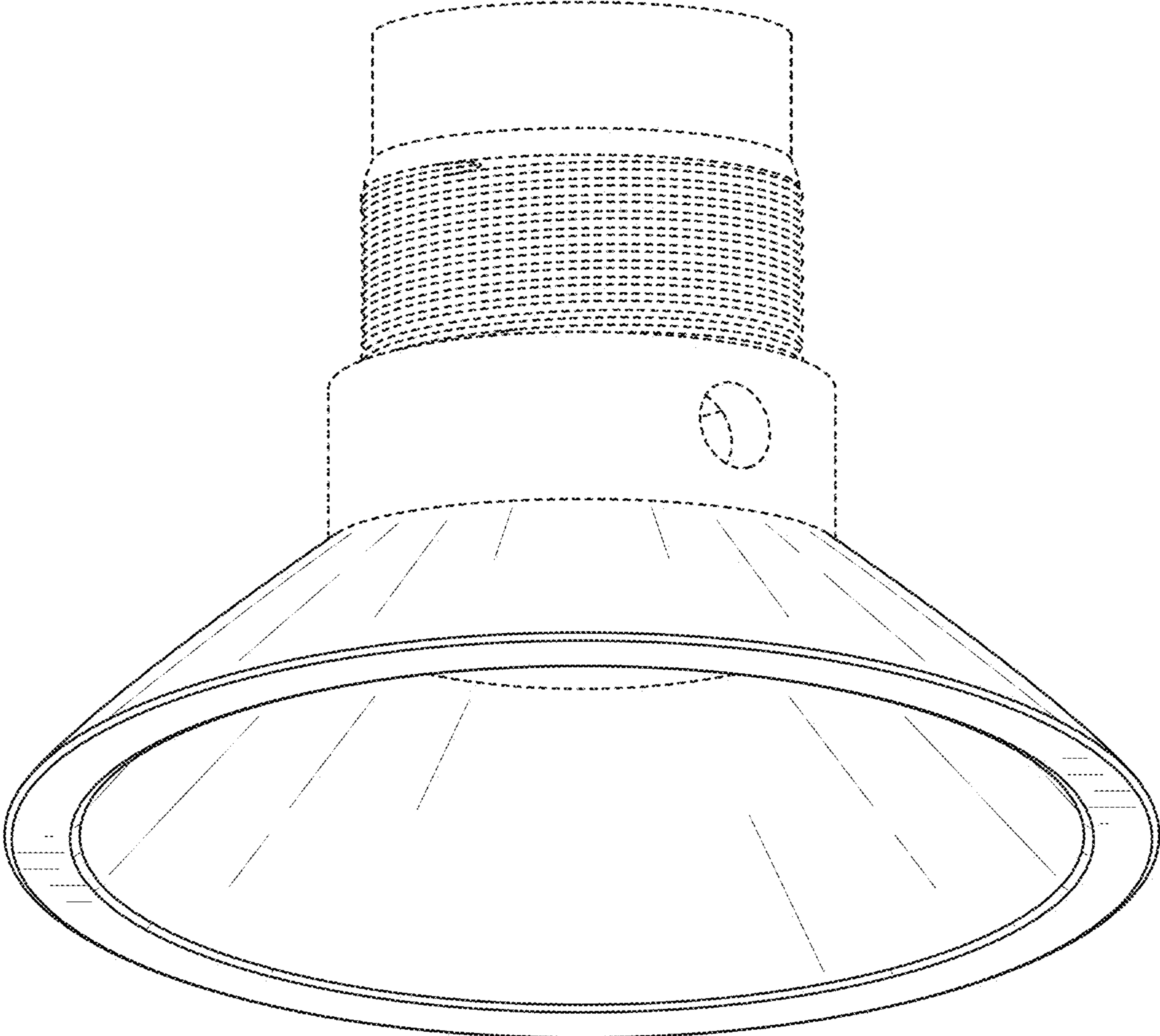


FIG. 3

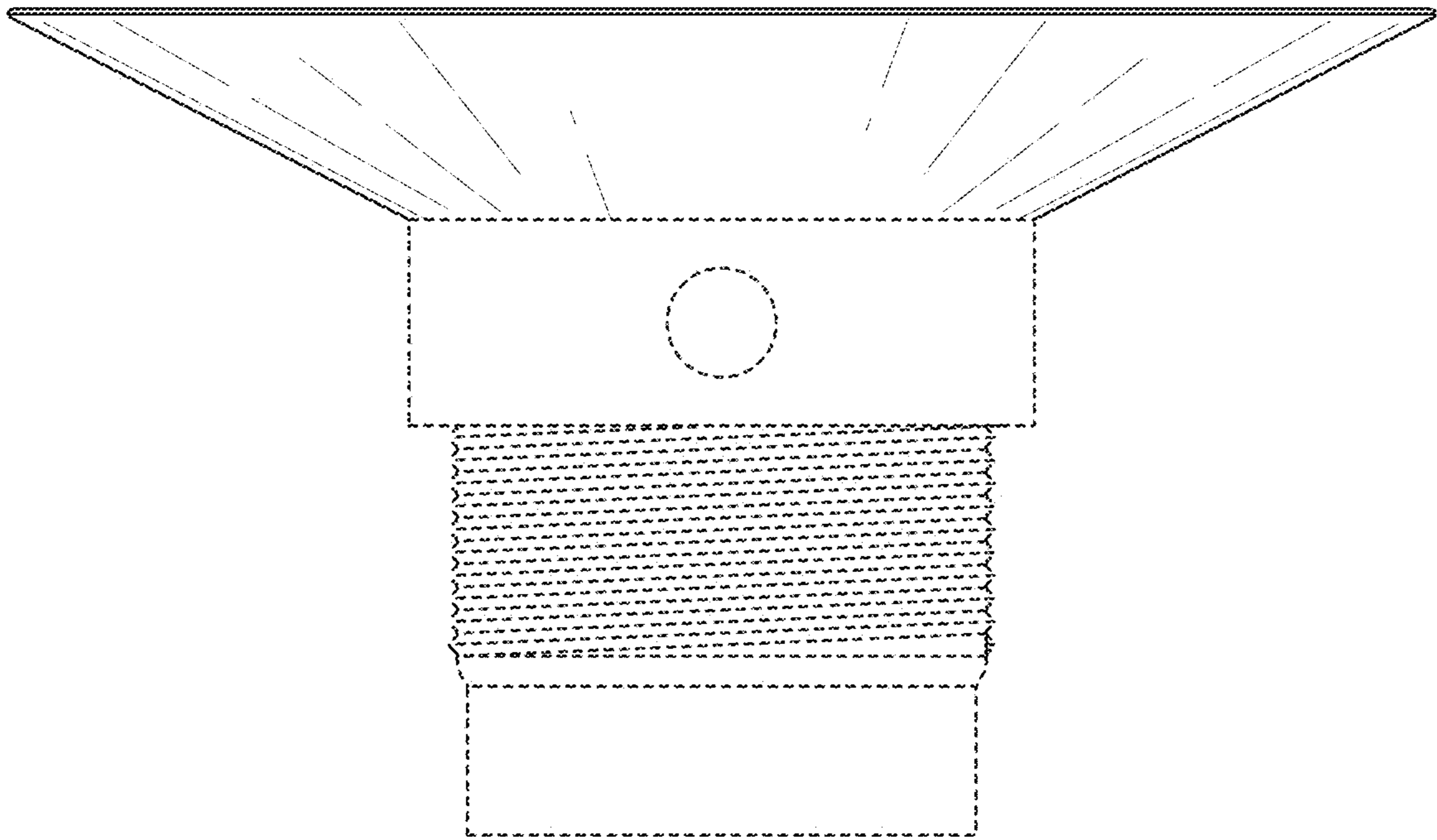


FIG. 4

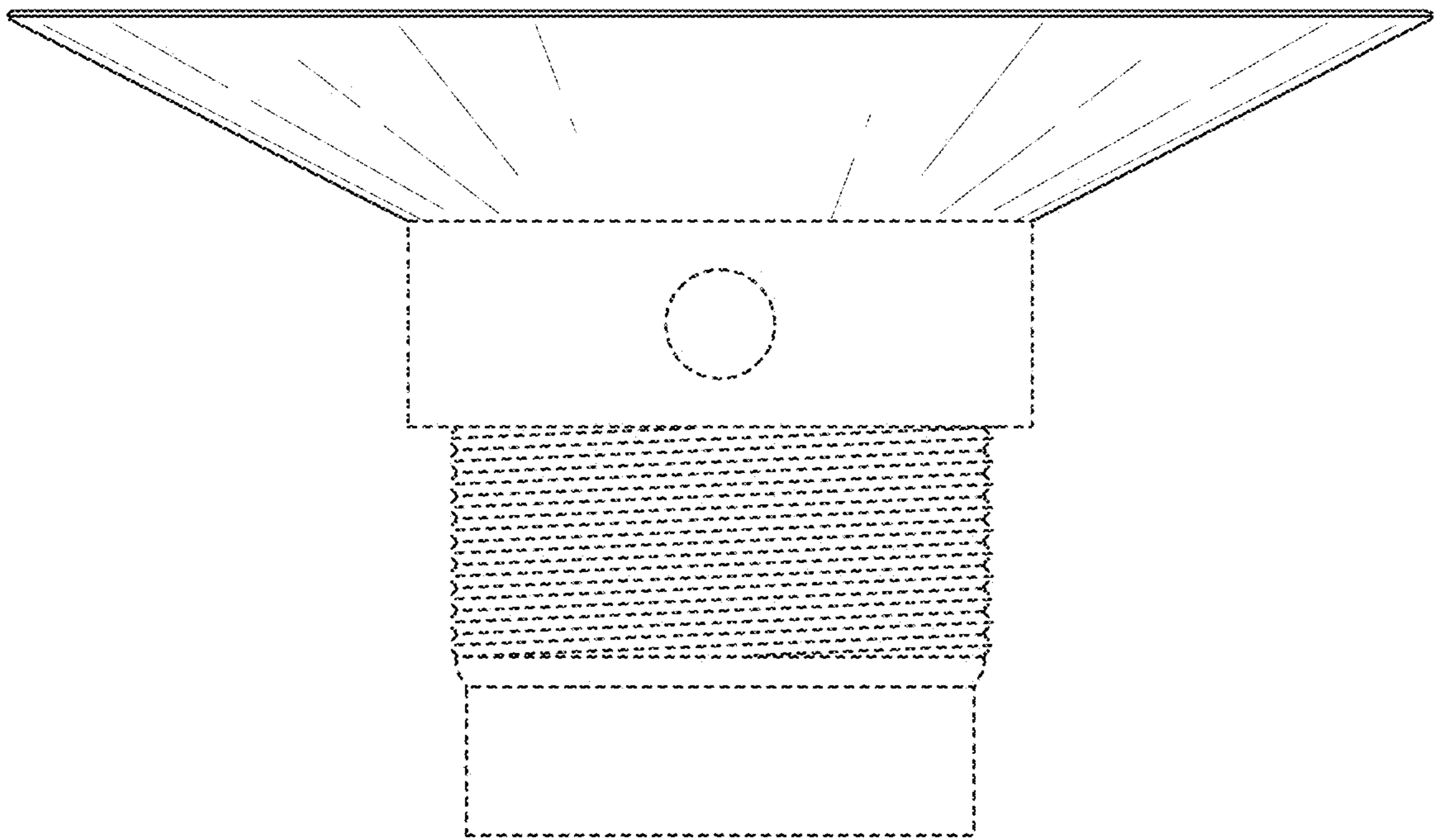


FIG. 5

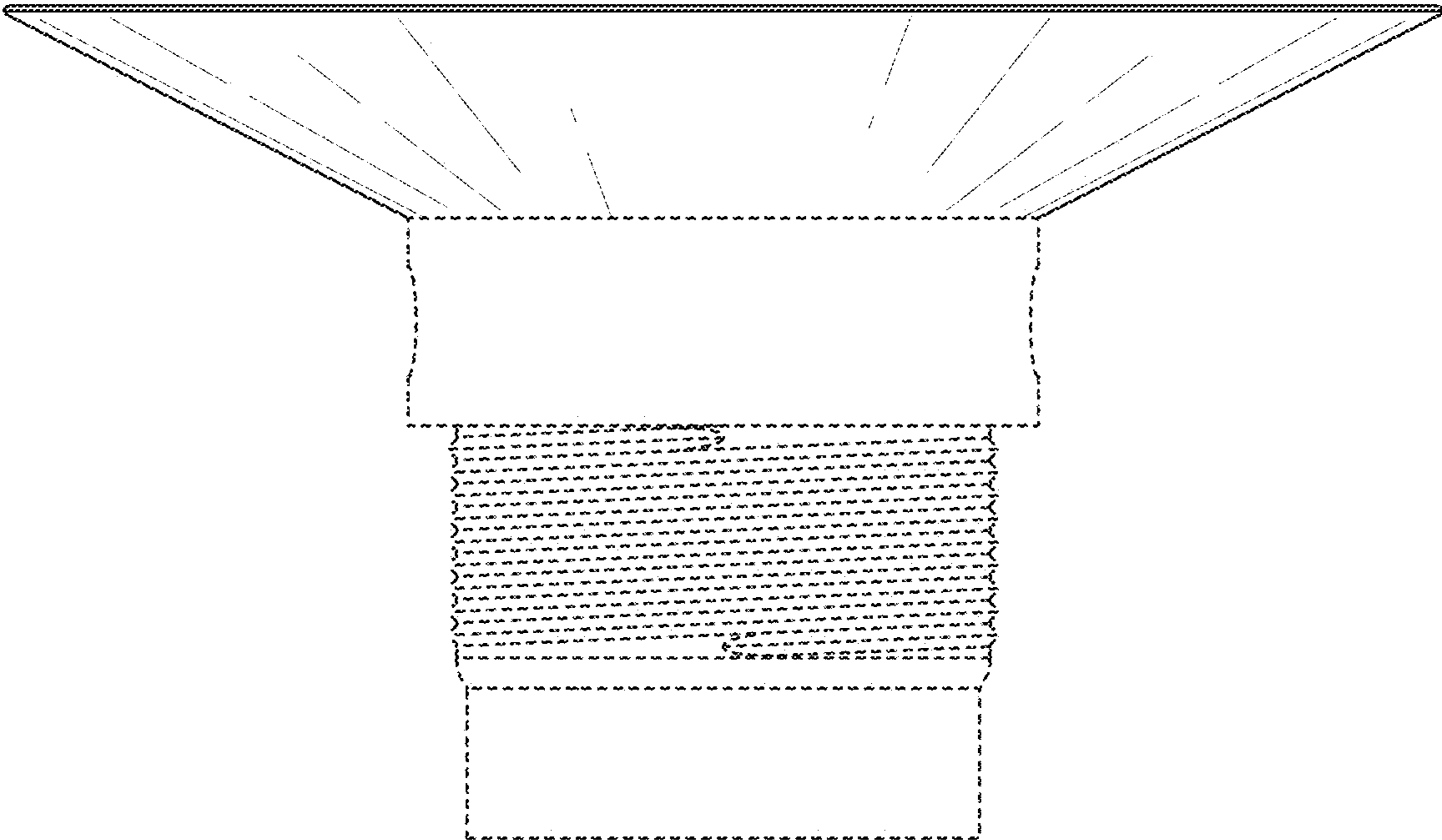


FIG. 6

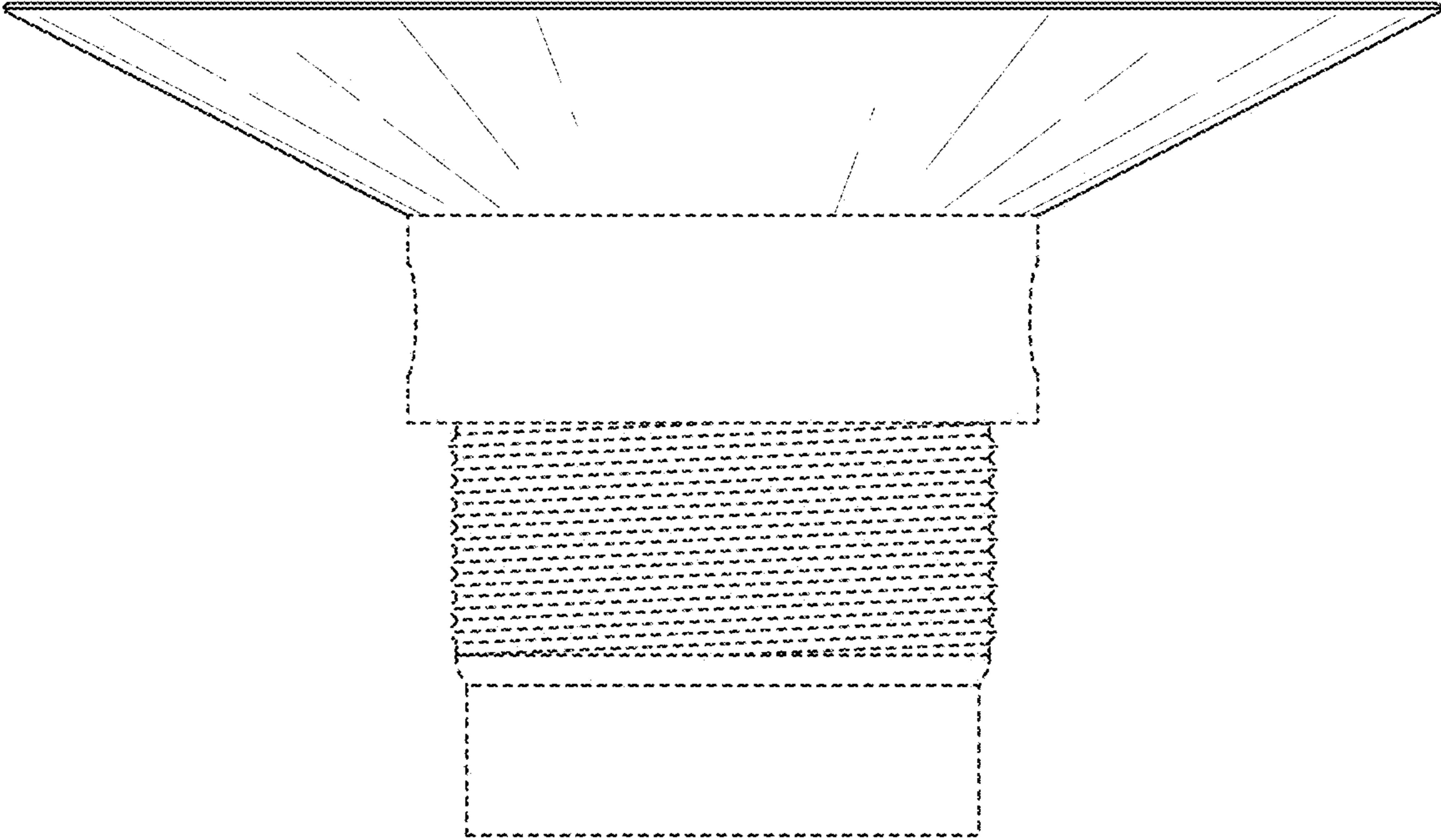


FIG. 7

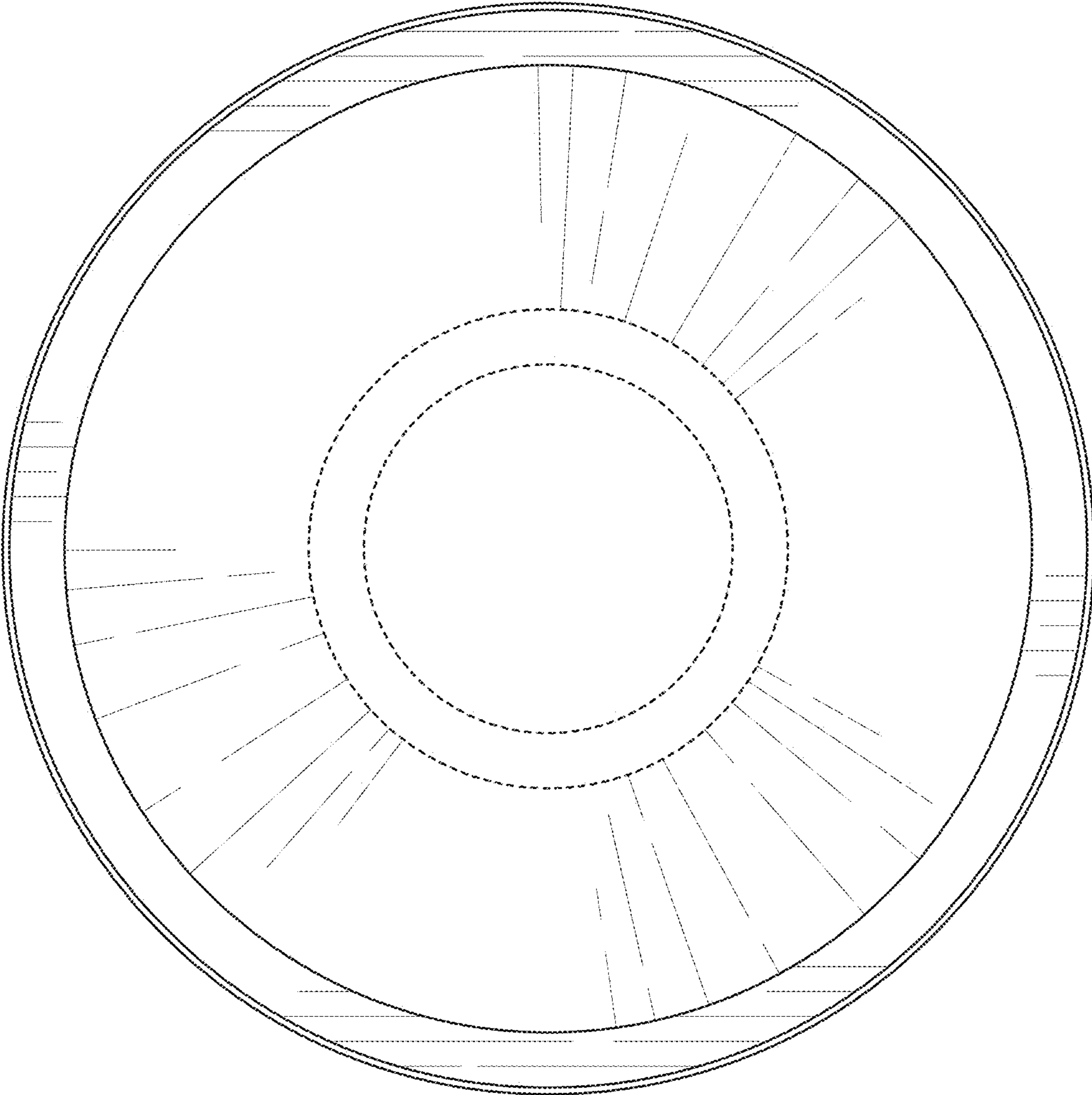


FIG. 8

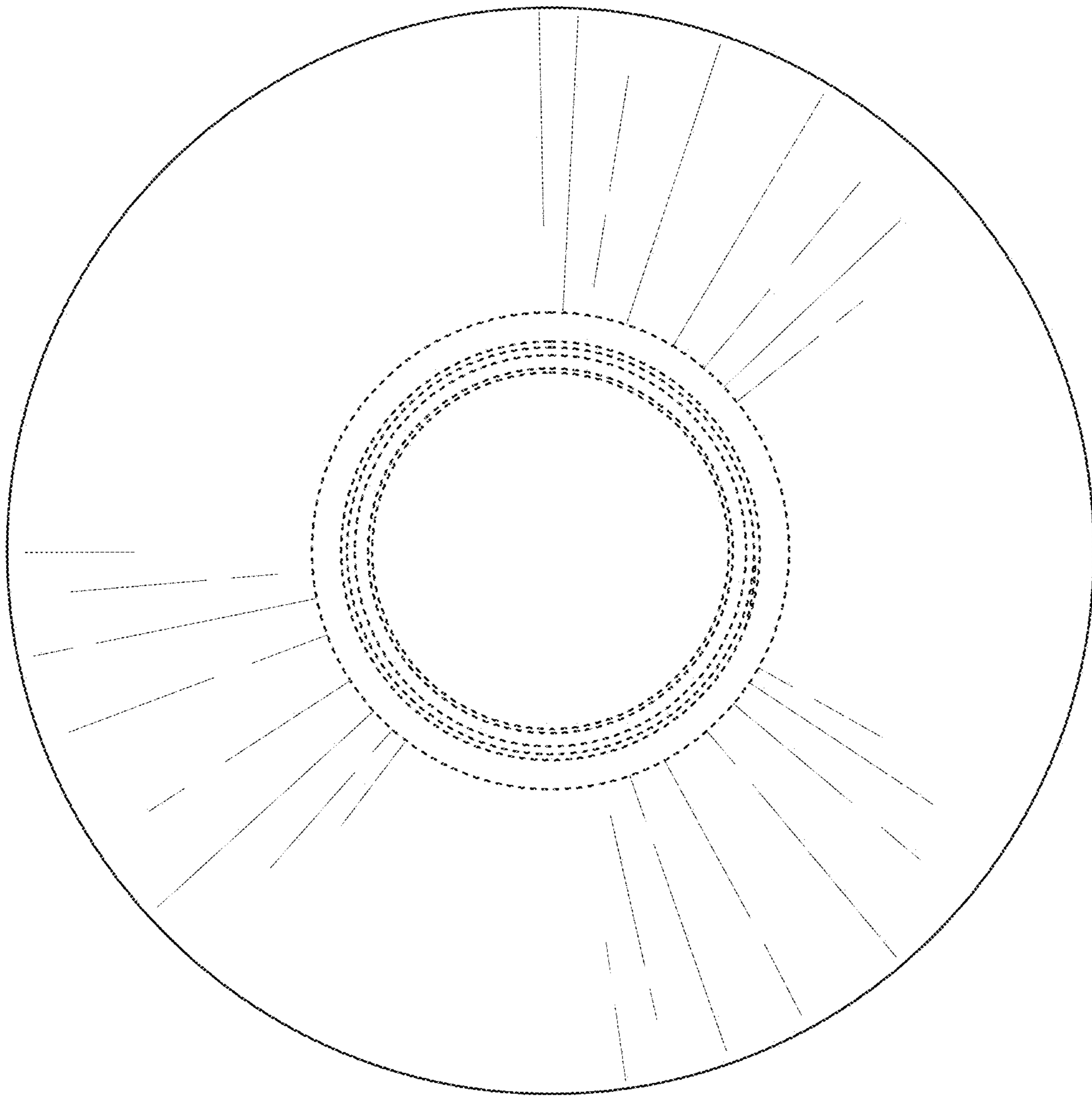


FIG. 9