



US00D969870S

(12) **United States Design Patent** (10) **Patent No.:** **US D969,870 S**
Kim (45) **Date of Patent:** **** Nov. 15, 2022**

(54) **DISPLAY SCREEN OR PORTION THEREOF WITH GRAPHICAL USER INTERFACE**

(71) Applicant: **Smart Diagnosis, Inc.**, Seoul (KR)

(72) Inventor: **Hwan Jin Kim**, Seoul (KR)

(73) Assignee: **Smart Diagnosis, Inc.**

(**) Term: **15 Years**

(21) Appl. No.: **29/737,040**

(22) Filed: **Jun. 4, 2020**

(30) **Foreign Application Priority Data**

Jan. 2, 2020 (KR) 30-2020-0000148

(51) **LOC (13) Cl.** **14-04**

(52) **U.S. Cl.**
USPC **D14/490; D14/492**

(58) **Field of Classification Search**
USPC D14/485-95
CPC G06F 3/048; G06F 3/0481; G06F 3/04812;
G06F 3/04815; G06F 3/04817; G06F
3/0482; G06F 3/0483; G06F 3/0484;
G06F 3/04842; G06F 3/04845; G06F
3/04847; G06F 3/0485; G06F 3/0486;
G06F 3/0487; G06F 3/0488; G06F
3/04883; G06F 3/04886; G06F 3/0489;
G06F 3/04892; G06F 3/04895; G06F
3/04897

See application file for complete search history.

(56) **References Cited**

U.S. PATENT DOCUMENTS

D404,388 S * 1/1999 Mullin D14/490
D556,773 S * 12/2007 Mestre D14/490
D601,162 S * 9/2009 Arnell D9/434
D627,792 S * 11/2010 Hainsworth D9/667
D708,226 S * 7/2014 Takata D14/490

D711,421 S * 8/2014 Bautista D14/490
D711,917 S * 8/2014 Jang D14/490
D719,974 S * 12/2014 Knutson D14/490
D759,119 S * 6/2016 Wolf D14/491
D770,527 S * 11/2016 Jitkoff D14/490
D784,409 S * 4/2017 Kim D14/490
D814,513 S * 4/2018 Bendert D14/492
D852,844 S * 7/2019 Jitkoff D14/490
D898,768 S * 10/2020 Straub D14/490
D929,450 S * 8/2021 Dautova D14/490
2009/0150807 A1 * 6/2009 George G06F 3/0482
715/763

OTHER PUBLICATIONS

Trademark application serial No. 75676988 (Year: 1999).*
Trademark application serial No. 86165576 (Year: 2014).*
Trademark application serial No. 86611562 (Year: 2015).*
Trademark application serial No. 87039850 (Year: 2016).*
Trademark application serial No. 87167909 (Year: 2016).*
Trademark application serial No. 78825337 (Year: 1989).*
Trademark application serial No. 77594047 (Year: 2008).*

(Continued)

Primary Examiner — Melanie H Tung
(74) *Attorney, Agent, or Firm* — Klarquist Sparkman, LLP

(57) **CLAIM**

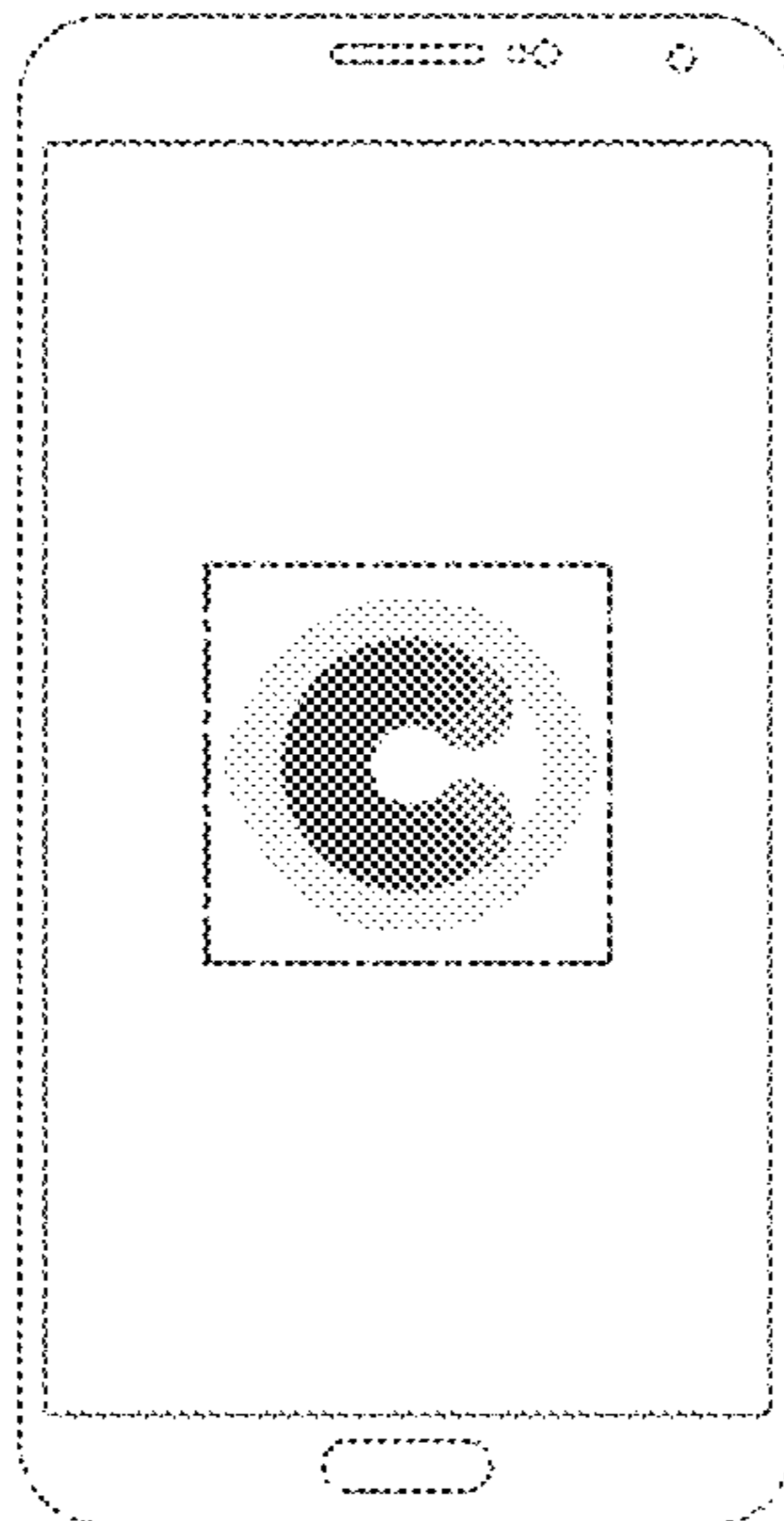
The ornamental design for a display screen or portion thereof with a graphical user interface, as shown and described.

DESCRIPTION

The single FIGURE is a front view of a display screen or portion thereof with a graphical user interface showing my new design.

The broken line showing of the display screen or portion thereof forms no part of the claimed design. The dash-dot broken line shows a boundary between the claimed design and portions that are not claimed.

1 Claim, 1 Drawing Sheet



(56)

References Cited

OTHER PUBLICATIONS

Trademark application serial No. 85736389 (Year: 2012).*

Trademark application serial No. 87242165 (Year: 2016).*

Trademark application serial No. 88903419 (Year: 2020).*

Trademark application serial No. 90616310 (Year: 2021).*

https://www.iconfinder.com/icons/4505211/drug_eye_hospital_medical_outline_vitamin_c_icon (Year: 2019).*

<https://www.istockphoto.com/vector/eye-care-solutions-letter-c-gm657320208-119941835> (Year: 2017).*

* cited by examiner

