

US00D969843S

(12) **United States Design Patent** (10) **Patent No.:** **US D969,843 S**
Bradberry (45) **Date of Patent:** **** Nov. 15, 2022**

- (54) **DISPLAY PANEL PORTION WITH AN ANIMATED COMPUTER ICON**
- (71) Applicant: **Sanofi**, Paris (FR)
- (72) Inventor: **Pippa Bradberry**, Boston, MA (US)
- (73) Assignee: **Rightpoint Consulting, LLC**, Chicago, IL (US)
- (**) Term: **15 Years**
- (21) Appl. No.: **29/771,914**
- (22) Filed: **Feb. 25, 2021**
- (51) **LOC (13) Cl.** **14-04**
- (52) **U.S. Cl.**
USPC **D14/486**
- (58) **Field of Classification Search**
USPC D14/485–495
CPC A61M 2005/3126; A61M 2205/502
See application file for complete search history.

- (56) **References Cited**
- U.S. PATENT DOCUMENTS
- | | | | | |
|-------------------|---------|--------------|-------|------------------------|
| D473,240 S * | 4/2003 | Cockerill | | D14/489 |
| D766,927 S * | 9/2016 | Li | | D14/485 |
| D770,517 S * | 11/2016 | Peng | | D14/488 |
| D772,257 S * | 11/2016 | Furutani | | D14/486 |
| D796,527 S * | 9/2017 | Lee | | D14/485 |
| D918,952 S * | 5/2021 | Pei | | D14/486 |
| D935,478 S * | 11/2021 | Shaviv | | D14/486 |
| D947,889 S * | 4/2022 | Lynch | | D14/488 |
| D949,195 S * | 4/2022 | Lynch | | D14/488 |
| D951,290 S * | 5/2022 | Hart | | D14/488 |
| 2013/0338603 A1 * | 12/2013 | Roedle | | A61J 1/1412 604/199 |
| 2021/0272687 A1 * | 9/2021 | Klopfenstein | | G06F 21/602 |

OTHER PUBLICATIONS

Entwurfreich Team, Cactus Insulin Management, Sep. 7, 2012, behance.net, retrieved May 17, 2022, available at <https://www.behance.net/gallery/5075829/CACTUS-Insulin-Management> (Year: 2012).*

Zelenko, Dmitry, Pharmacy online concept, May 6, 2019, dribbble.com, retrieved May 17, 2022, available at <https://dribbble.com/shots/6443919-Pharmacy-Online-Concept-App> (Year: 2019).*

behance.net/gallery/5075829/CACTUS-Insulin-Management (Year: 2012).*

Zelenko, Dmitry, Pharmacy online concept, May 6, 2019, dribbble.com, retrieved May 17, 2022, available at <https://dribbble.com/shots/6443919-Pharmacy-Online-Concept-App> (Year: 2019).*

* cited by examiner

Primary Examiner — Katherine A Holbrow

(74) *Attorney, Agent, or Firm* — Fish & Richardson P.C.

(57) **CLAIM**

The ornamental design for a display panel portion with an animated computer icon, substantially as shown and described.

DESCRIPTION

FIG. 1 is a first image in a sequence for the display panel portion with an animated computer icon.

FIG. 2 is second image in the sequence thereof.

FIG. 3 is a third image in the sequence thereof.

FIG. 4 is a fourth image in the sequence thereof.

FIG. 5 is a fifth image in the sequence thereof.

FIG. 6 is a sixth image in the sequence thereof.

FIG. 7 is a seventh image in the sequence thereof.

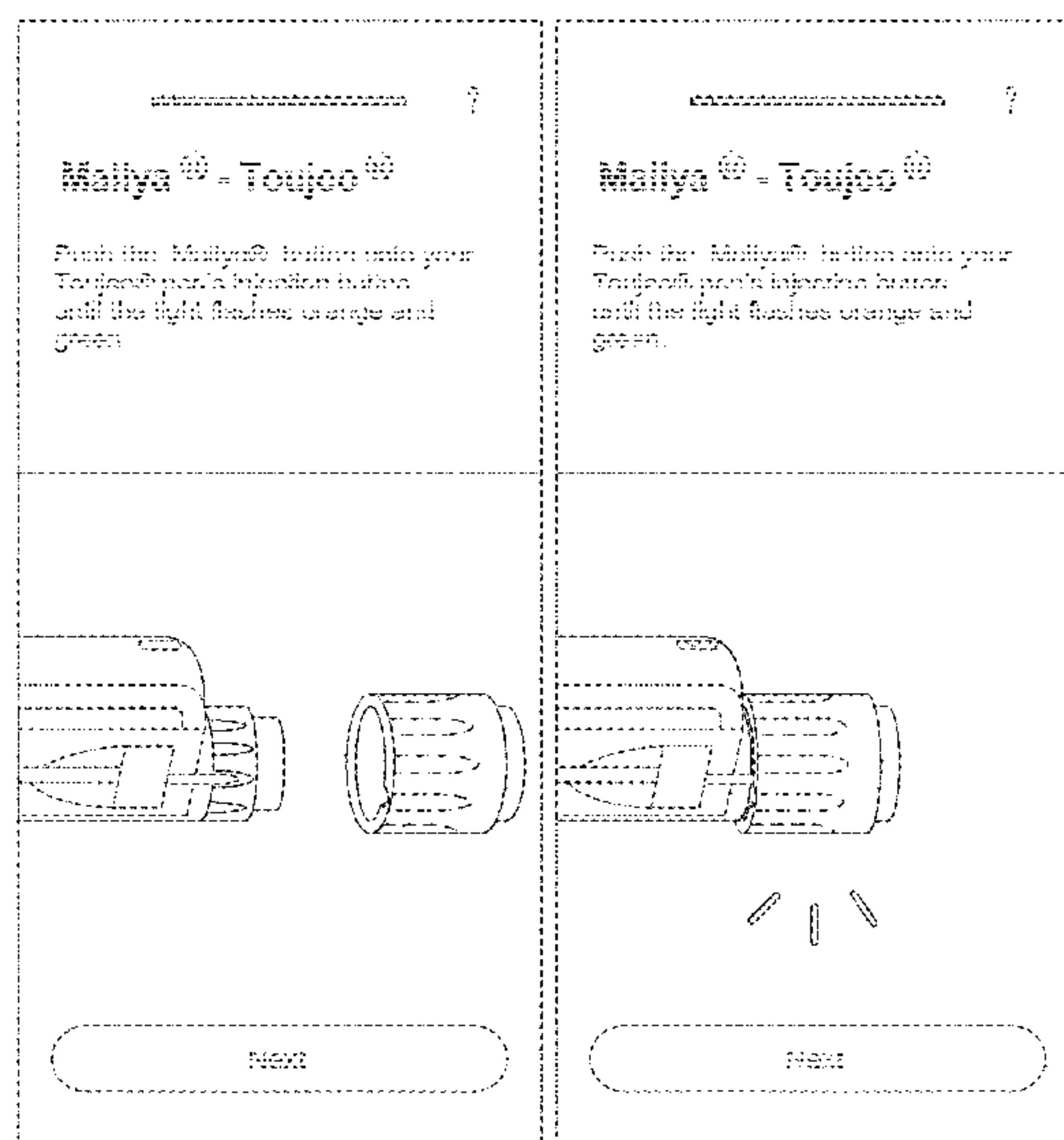
FIG. 8 is an eighth image in the sequence thereof; and,

FIG. 9 is a ninth image in the sequence thereof.

The appearance of the transitional image sequentially transitions between the images shown in FIGS. 1-9. The process or period in which one image transitions to another image forms no part of the claimed design.

The broken lines showing a portion of a display panel and portions of the animated computer icon in FIGS. 1-9 form no part of the claimed design.

1 Claim, 9 Drawing Sheets



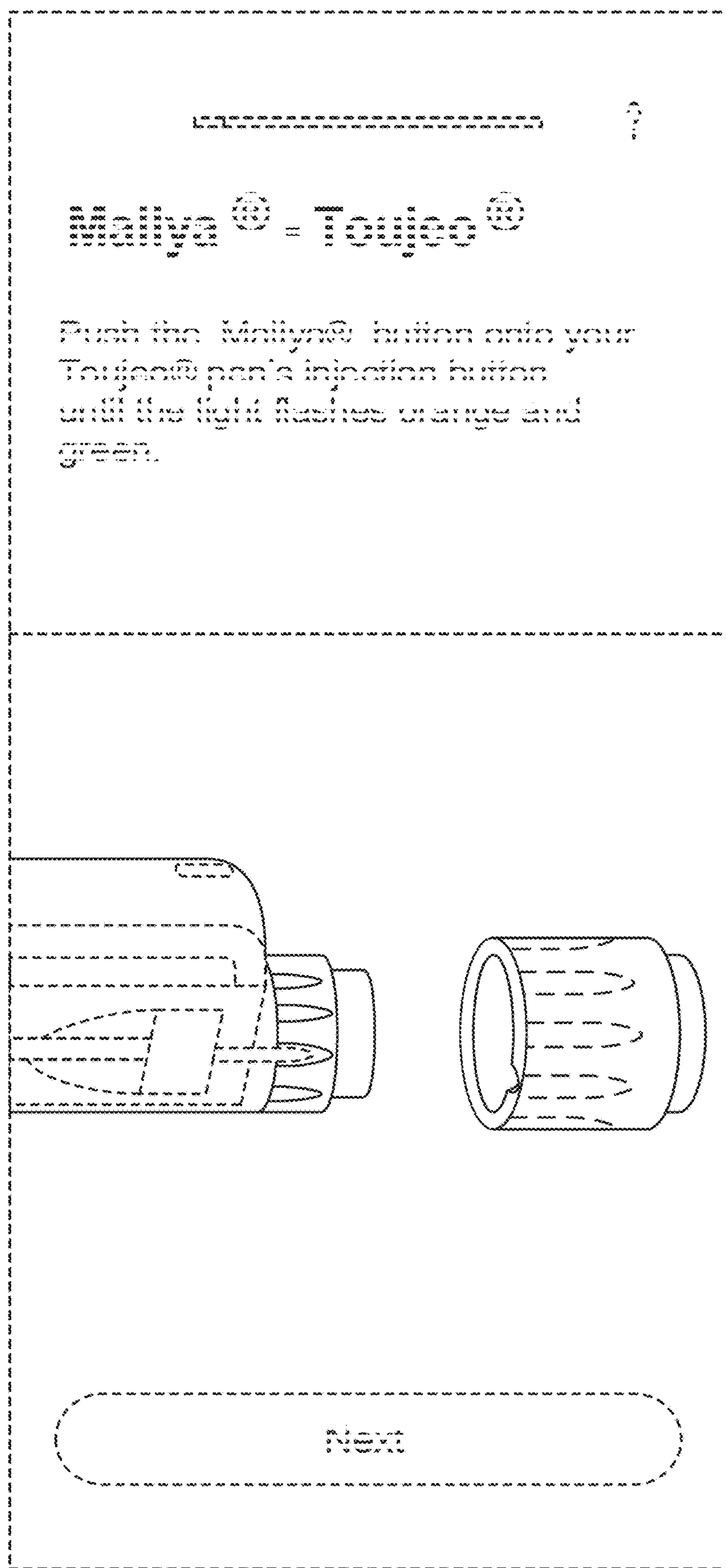


FIG. 1

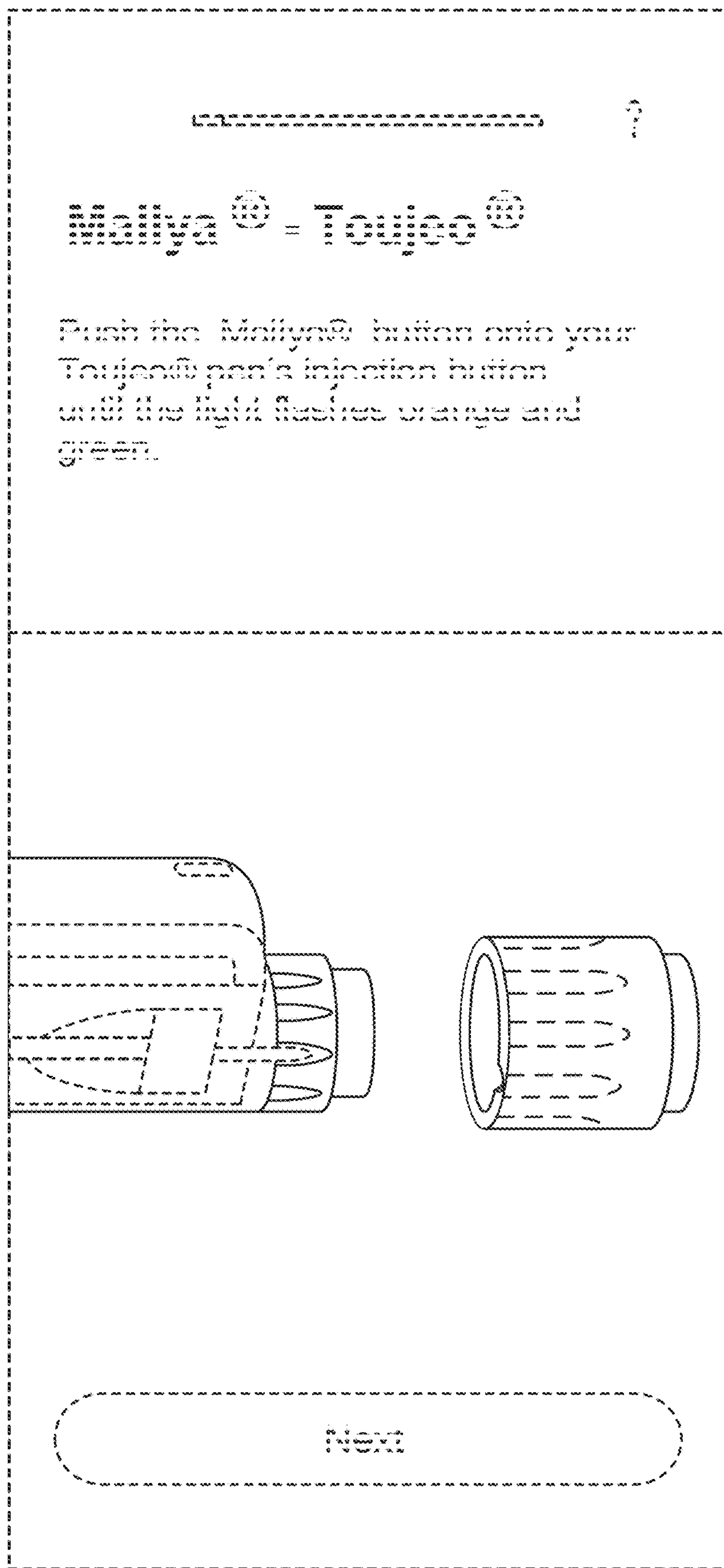


FIG. 2

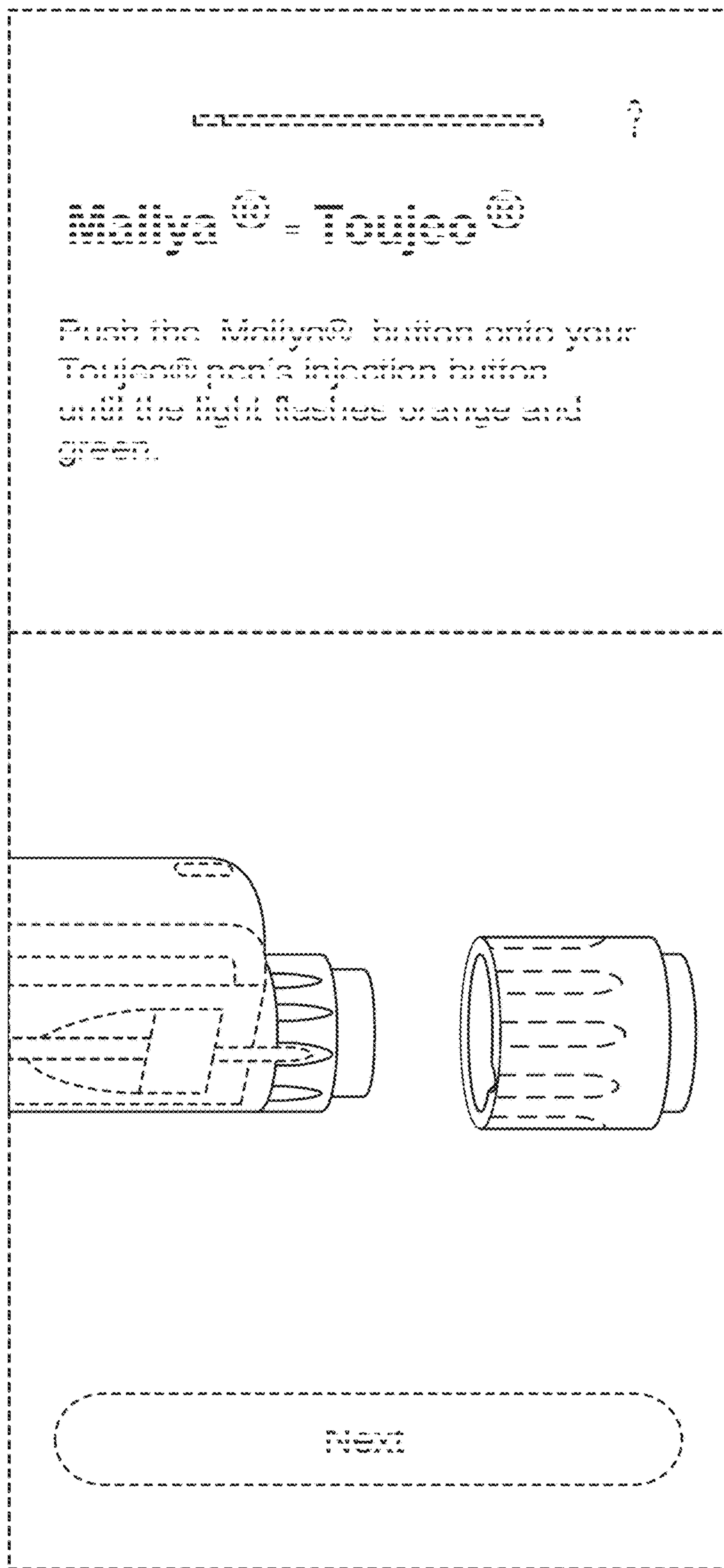


FIG. 3

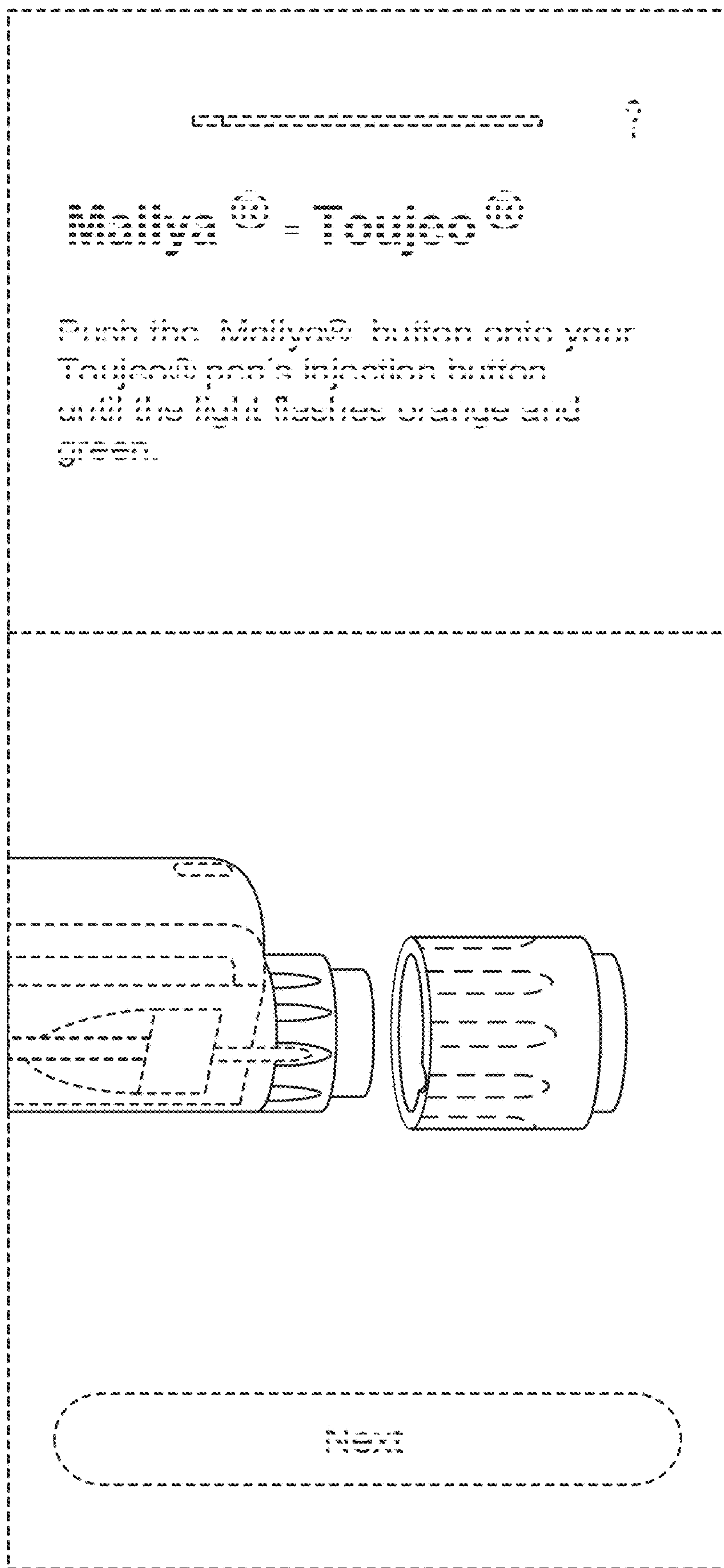


FIG. 4

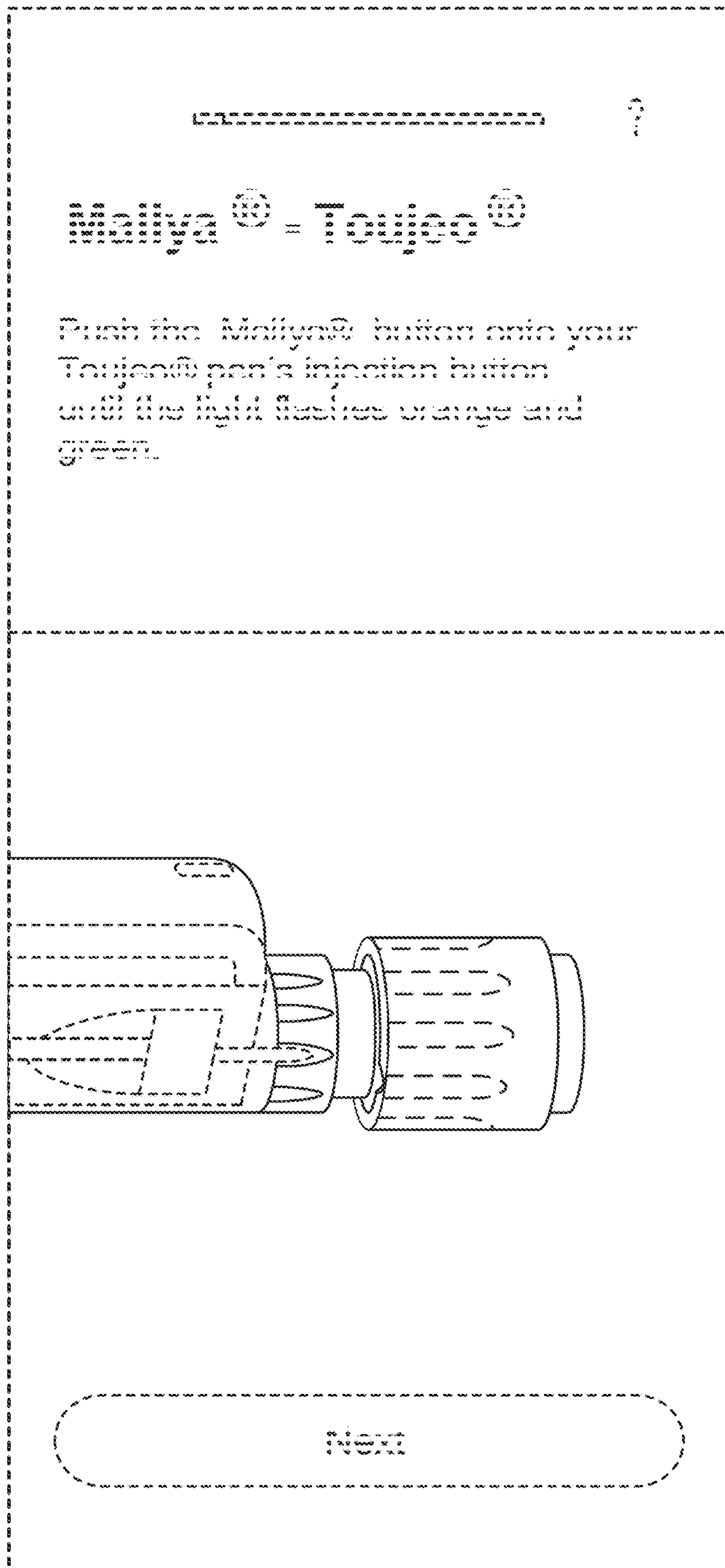


FIG. 5

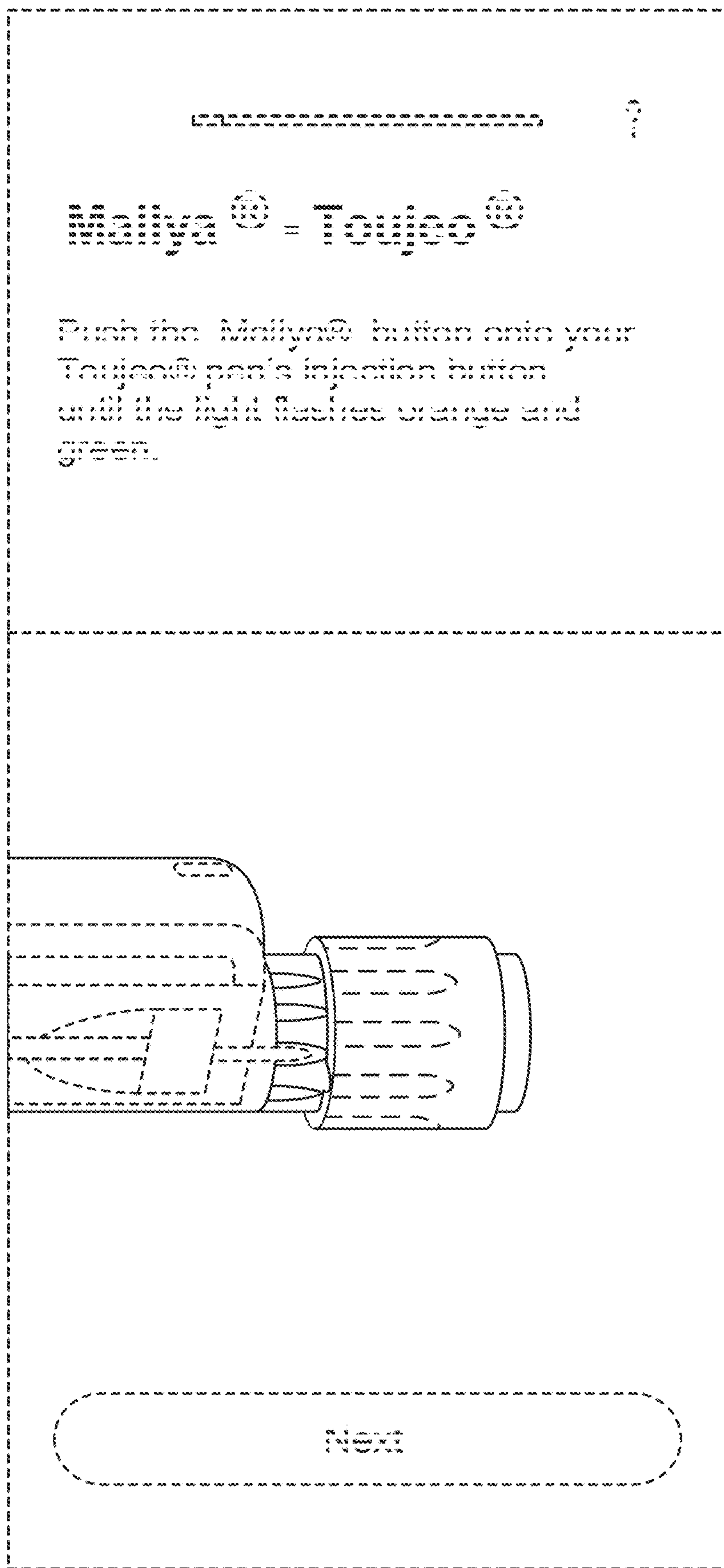


FIG. 6

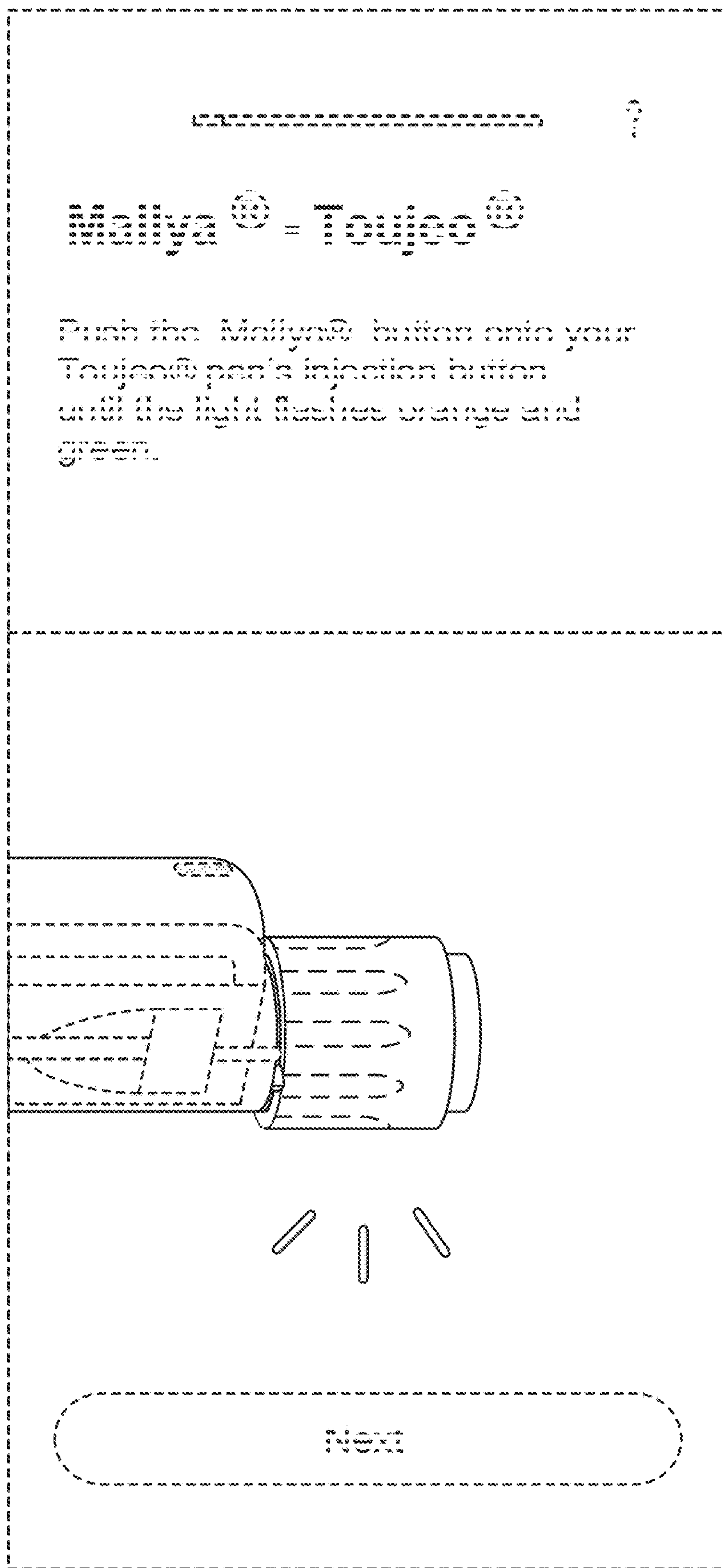


FIG. 7

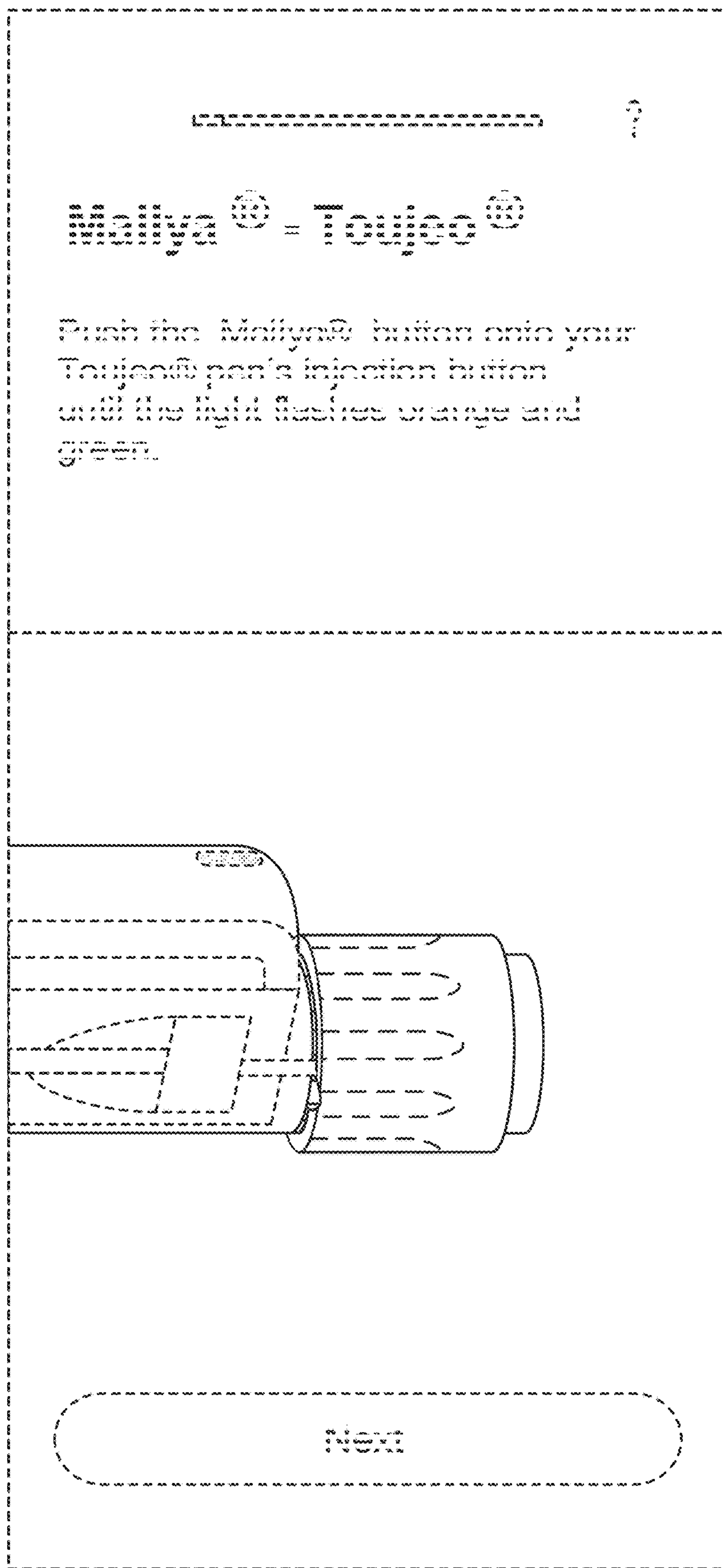


FIG. 8

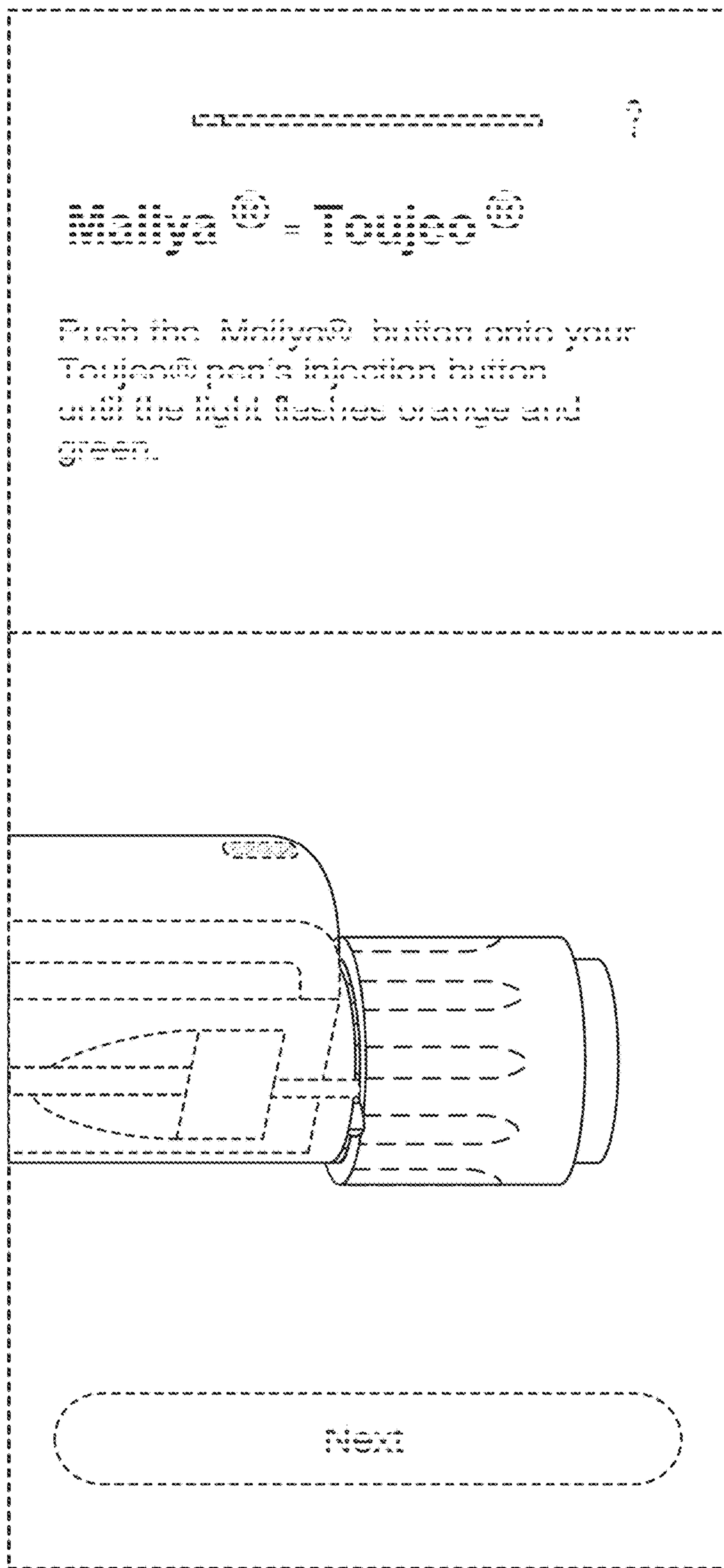


FIG. 9