

US00D969823S

(12) **United States Design Patent**
Yang

(10) **Patent No.:** **US D969,823 S**

(45) **Date of Patent:** **** Nov. 15, 2022**

(54) **DISPLAY SCREEN OR PORTION THEREOF WITH GRAPHICAL USER INTERFACE FOR A STERILIZER**

(71) Applicant: **SHENZHEN ANTOP TECHNOLOGY CO., LTD**, Shenzhen (CN)

(72) Inventor: **Ruidian Yang**, Shenzhen (CN)

(73) Assignee: **SHENZHEN ANTOP TECHNOLOGY CO., LTD**, Shenzhen (CN)

(**) Term: **15 Years**

(21) Appl. No.: **29/763,583**

(22) Filed: **Dec. 23, 2020**

(30) **Foreign Application Priority Data**

Sep. 25, 2020 (CN) 202030578178.0

(51) **LOC (13) Cl.** **14-04**

(52) **U.S. Cl.**
USPC **D14/485**

(58) **Field of Classification Search**
USPC D14/485–495
CPC G06F 3/048; G06F 3/0481; G06F 3/04817; G06F 3/0482; G06F 3/0483; G06F 3/04842; G06F 3/0485; G06F 3/04855; G06F 3/0486; G06F 3/0488; G06F 3/04886; G06F 9/451; G06F 40/103; G06F 40/106; G06F 40/189; G06F 40/191

See application file for complete search history.

(56) **References Cited**

U.S. PATENT DOCUMENTS

D880,519 S * 4/2020 Wilde D14/488
D903,706 S * 12/2020 Lisseman D14/487
D904,438 S * 12/2020 Zhang D14/486

(Continued)

OTHER PUBLICATIONS

Look at our newest product—UV Towel Dryer, Twitter [online], published Nov. 8, 2021, [retrieved on Apr. 4, 2022]. Retrieved from the Internet, URL: <https://mobile.twitter.com/Antop52614365/status/1457649312788144130>.*

(Continued)

Primary Examiner — Nicole C Shiflet

(74) *Attorney, Agent, or Firm* — Avek IP, LLC; Kent R. Erickson

(57) **CLAIM**

The ornamental design for a display screen or portion thereof with graphical user interface for a sterilizer, as shown and described.

DESCRIPTION

FIG. 1 is a front view of a first image of the display screen or portion thereof with graphical user interface for a sterilizer showing my new design;

FIG. 2 is a front view of the second image thereof;

FIG. 3 is a front view of the third image thereof;

FIG. 4 is a front view of the fourth image thereof;

FIG. 5 is a front view of the fifth image thereof;

FIG. 6 is a front view of the sixth image thereof;

FIG. 7 is a front view of the seventh image thereof;

FIG. 8 is a front view of the eighth image thereof;

FIG. 9 is a front view of the ninth image thereof;

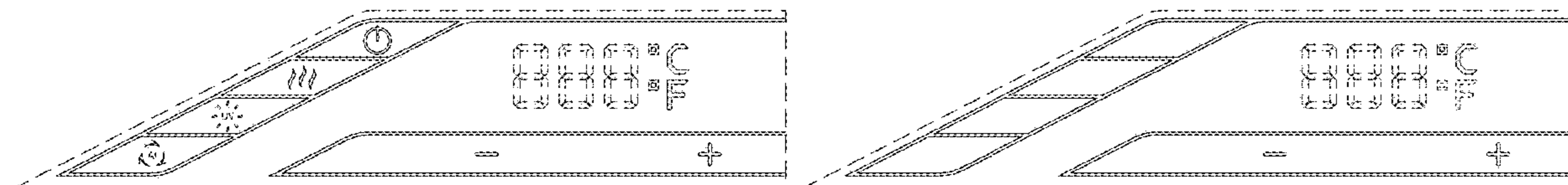
FIG. 10 is a front view of the tenth image thereof; and,

FIG. 11 is a front view of the eleventh image thereof.

The outermost broken lines show a display screen or portion thereof and form no part of the claimed design. The remaining broken lines show portions of the graphical user interface and form no part of the claimed design.

The subject matter in this patent includes a process or period in which an image changes into another image. This process or period forms no part of the claimed design.

1 Claim, 11 Drawing Sheets



(56)

References Cited

U.S. PATENT DOCUMENTS

D910,670	S	*	2/2021	Klimes	D14/485
D916,783	S	*	4/2021	Brown	D14/486
D916,829	S	*	4/2021	Daie	D14/486
D916,830	S	*	4/2021	Daie	D14/486
D918,224	S	*	5/2021	Velamuri	D14/485
D927,505	S	*	8/2021	Qiu	D14/485
D937,311	S	*	11/2021	Ding	D14/487
D938,472	S	*	12/2021	Dobkowitz	D14/486
D940,791	S	*	1/2022	Howell	D14/486
2016/0349823	A1	*	12/2016	Killo	G09G 3/2003

OTHER PUBLICATIONS

Antop UV Towel Dryer, YouTube [online], published Aug. 31, 2021, [retrieved on Apr. 4, 2022]. Retrieved from the Internet, URL: https://www.youtube.com/watch?v=A9Slpi_N2y4.*

* cited by examiner

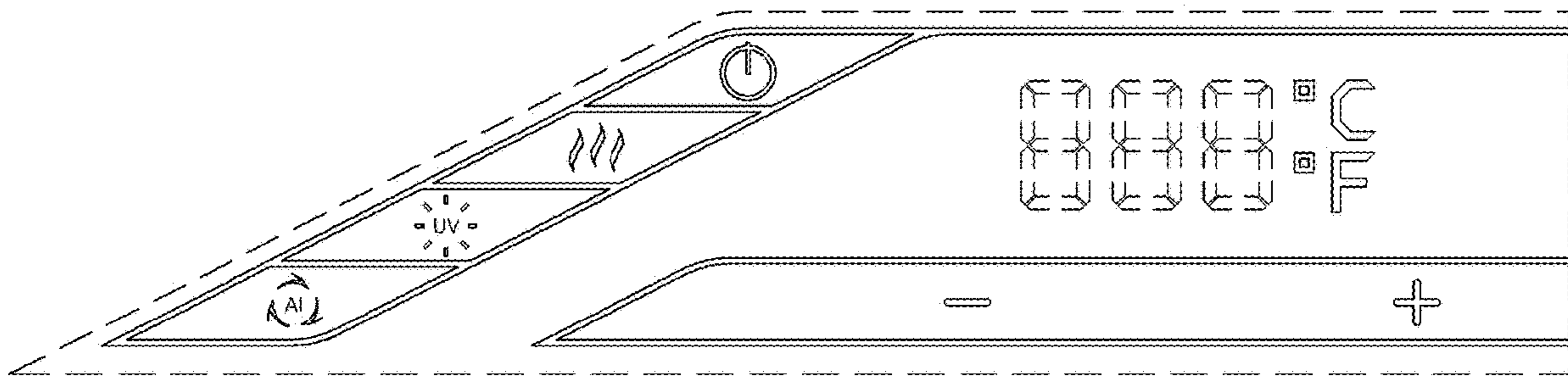


FIG. 1

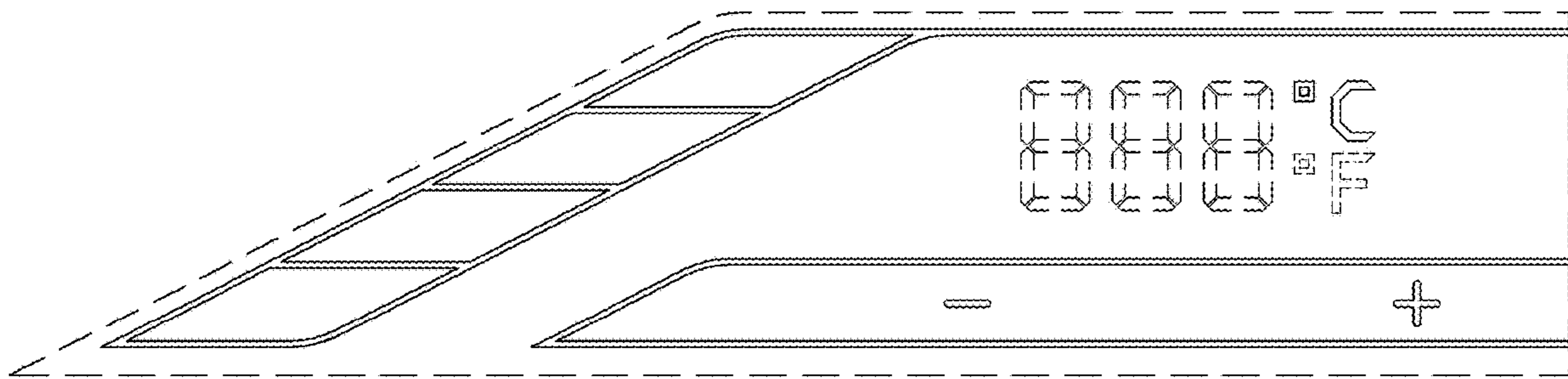


FIG. 2

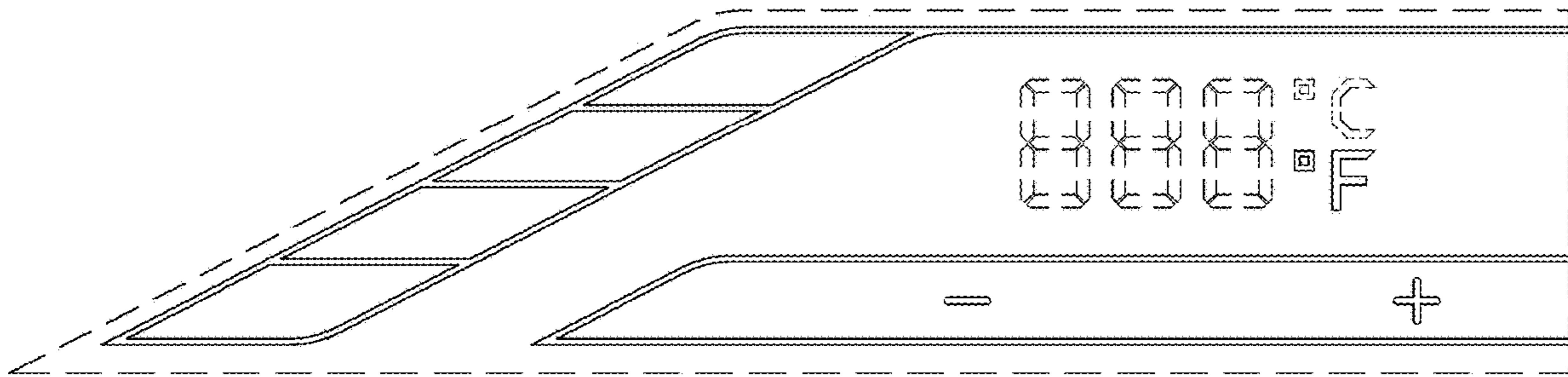


FIG. 3

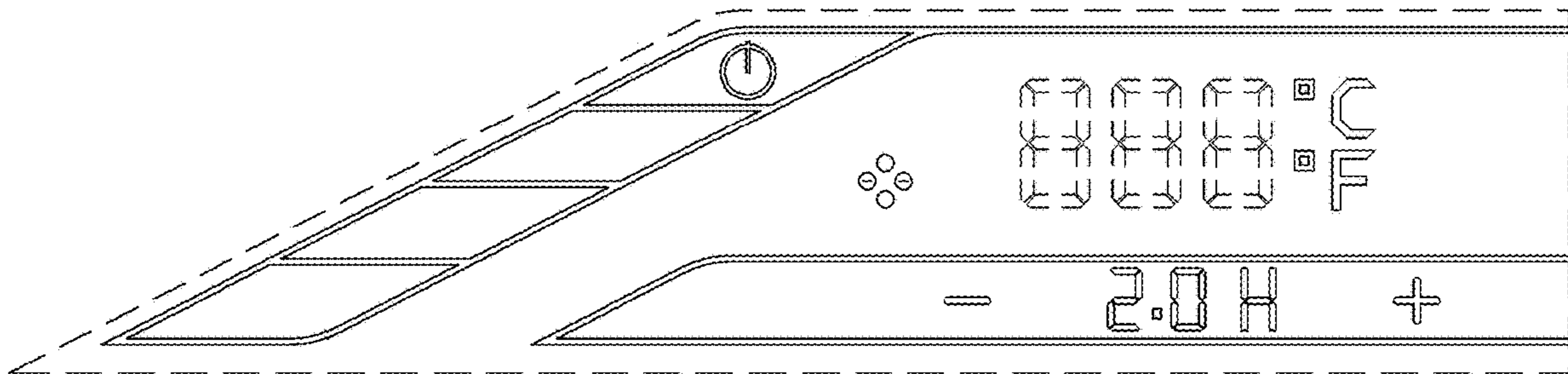


FIG. 4

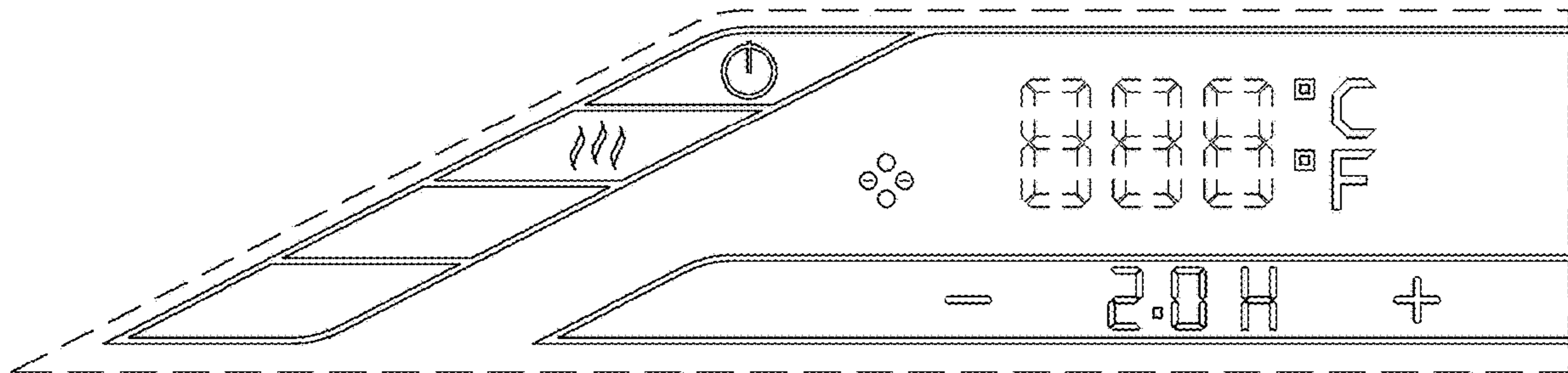


FIG. 5

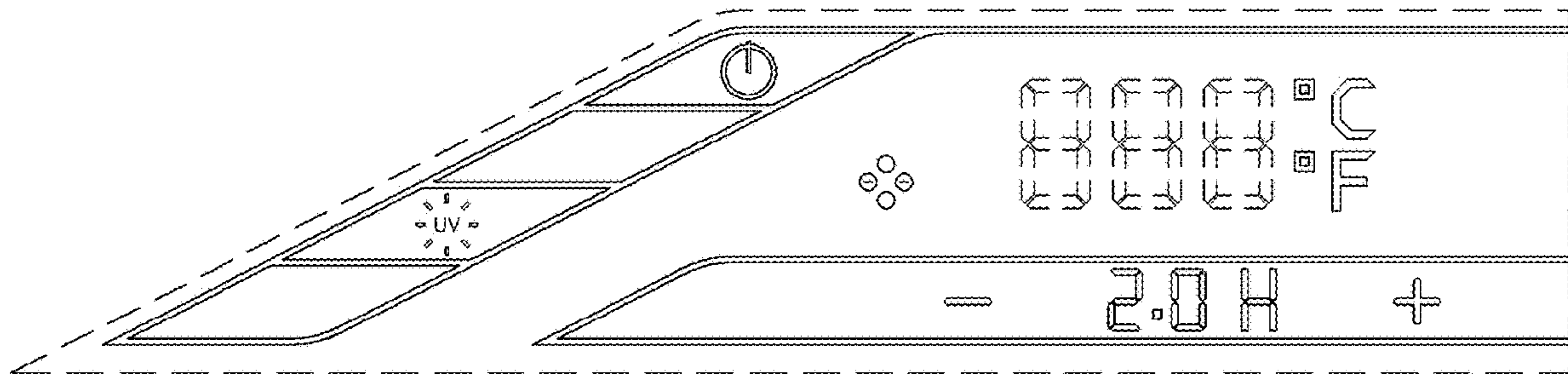


FIG. 6

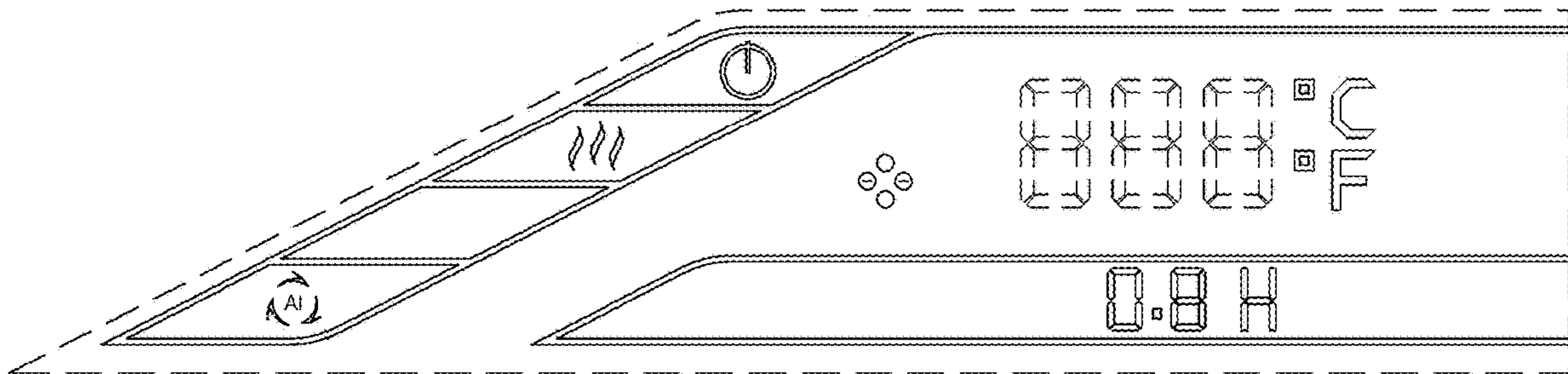


FIG. 7

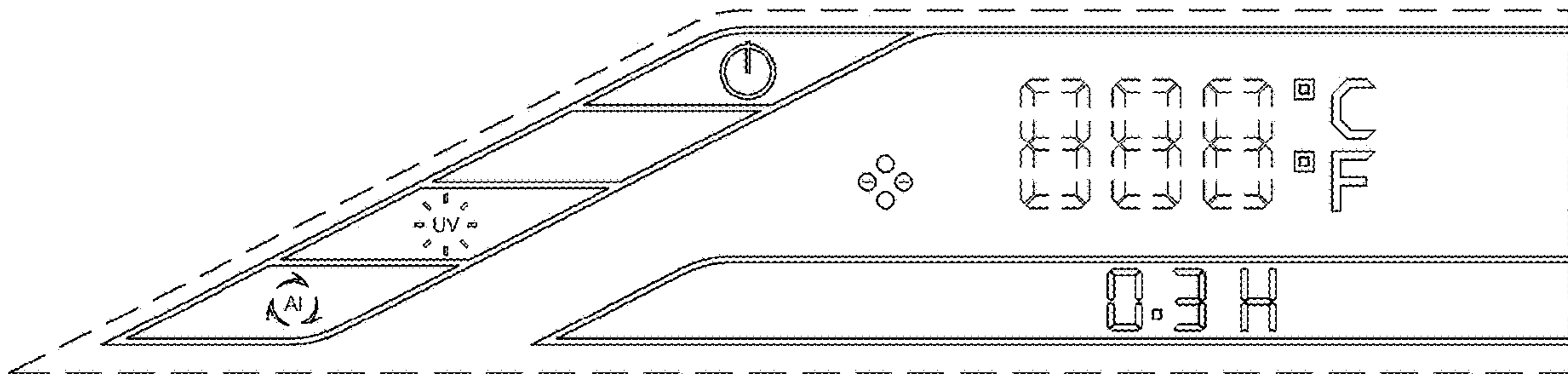


FIG. 8

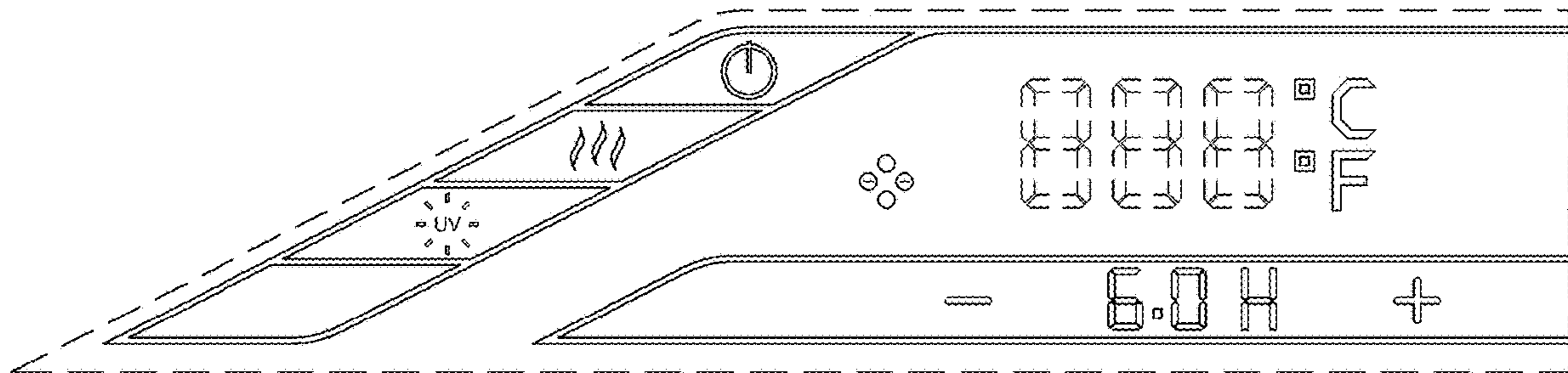


FIG. 9

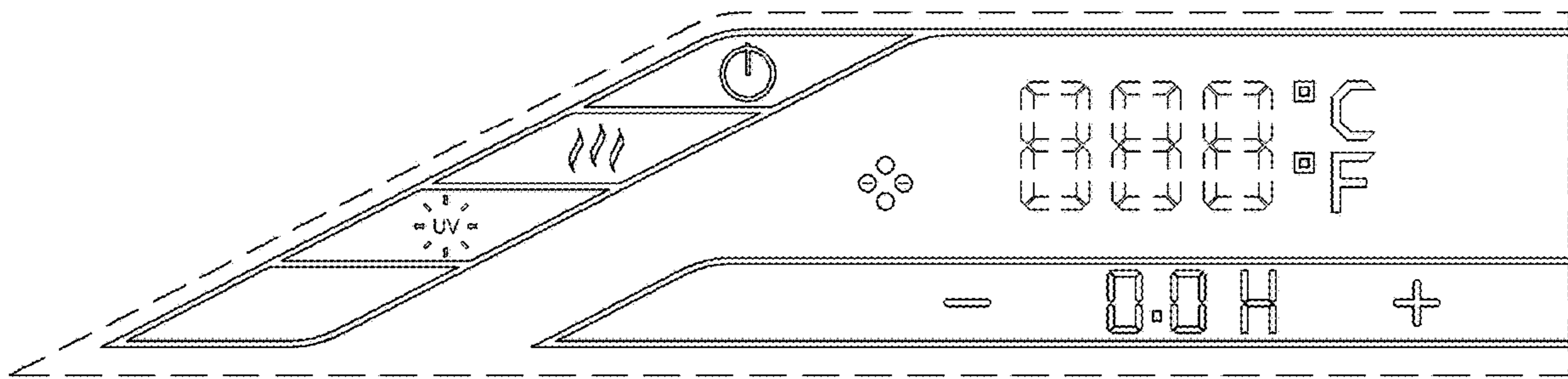


FIG. 10

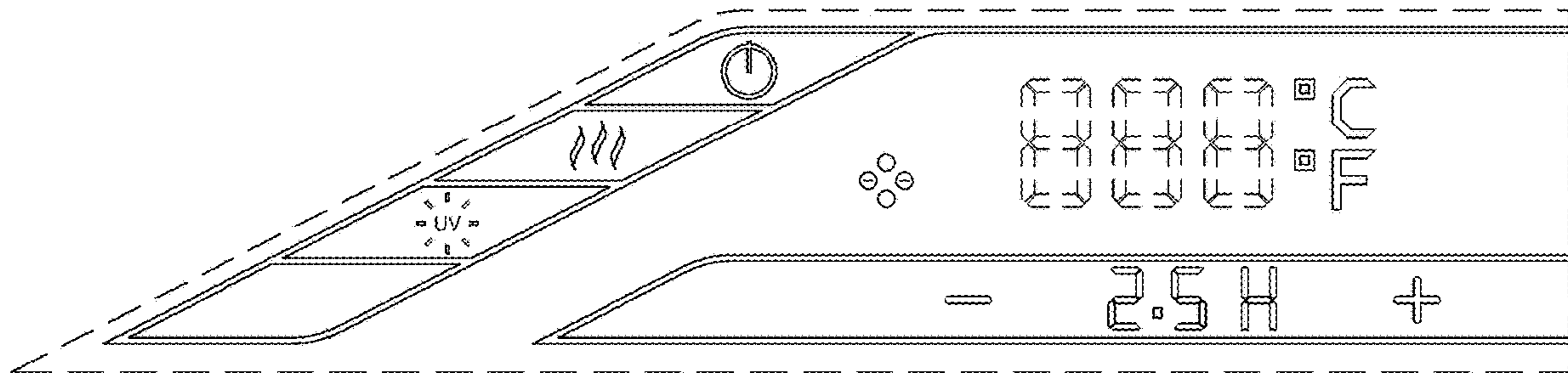


FIG. 11