



US00D969815S

(12) **United States Design Patent**  
**Wright et al.**

(10) **Patent No.:** **US D969,815 S**

(45) **Date of Patent:** **\*\* Nov. 15, 2022**

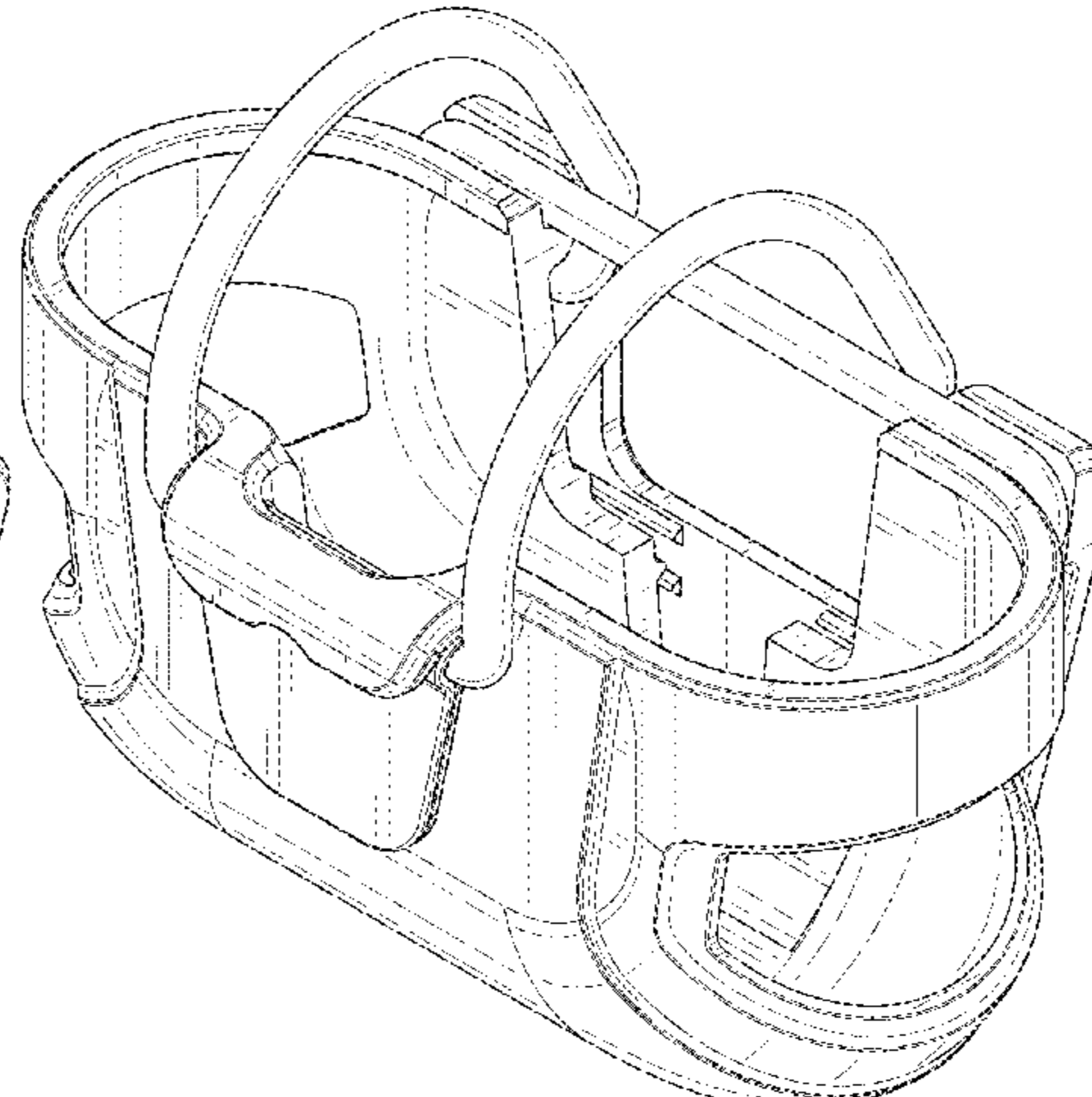
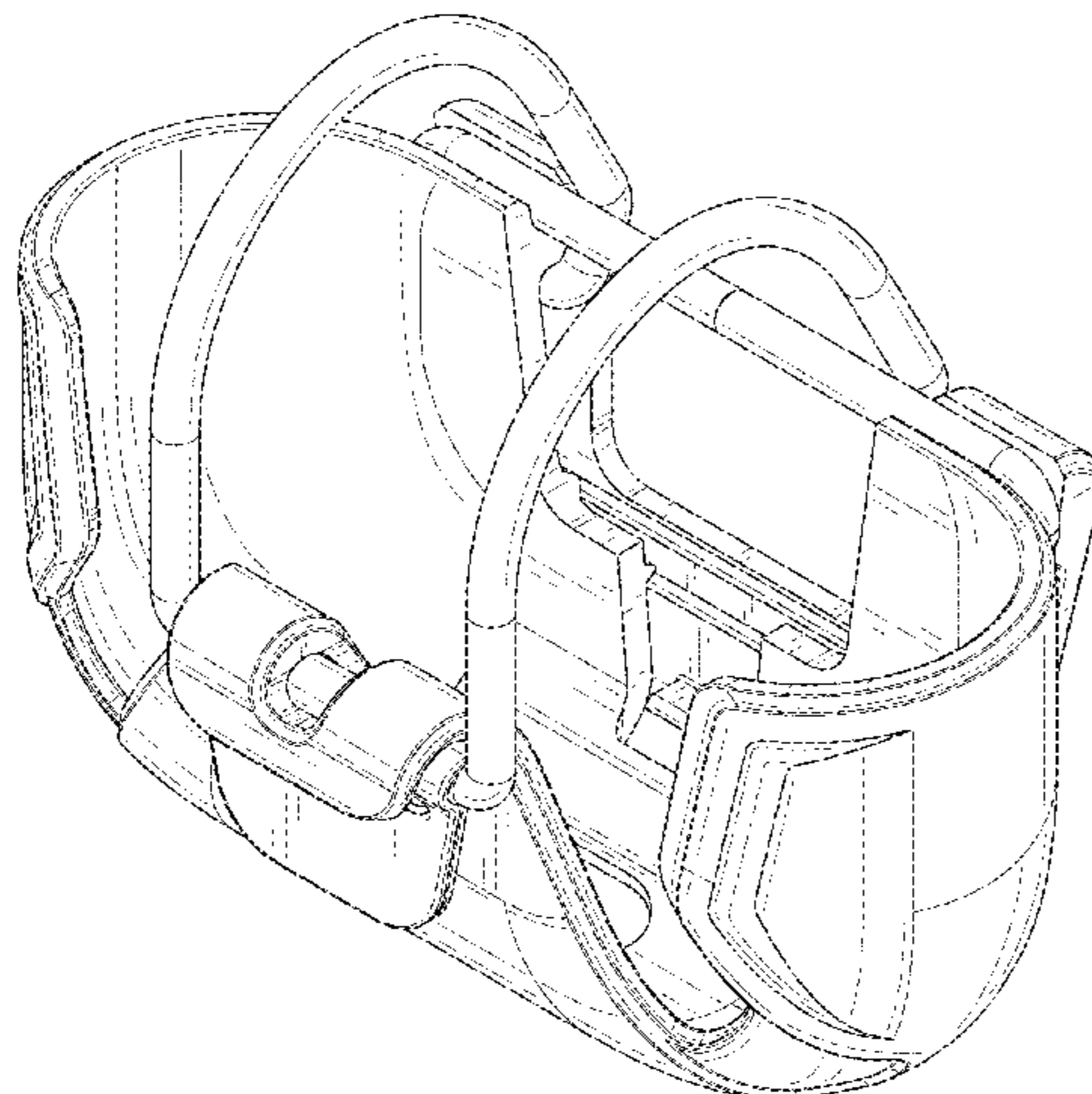
- (54) **CASE FOR ELECTRONIC DEVICE**
- (71) Applicant: **Catalyst Lifestyle Limited**, North Point (HK)
- (72) Inventors: **Joshua Wright**, Hong Kong (CN); **June Lai**, Hong Kong (CN)
- (73) Assignee: **CATALYST LIFESTYLE LIMITED**, North Point (HK)
- (\*\*) Term: **15 Years**
- (21) Appl. No.: **29/775,629**
- (22) Filed: **Mar. 24, 2021**
- (51) **LOC (13) Cl.** ..... **14-02**
- (52) **U.S. Cl.**  
USPC ..... **D14/440**
- (58) **Field of Classification Search**  
USPC ..... D14/440, 250, 447; 206/45.2, 45.23, 206/320; 361/679.55; 294/25; 224/218  
CPC ... G06F 1/1628; G06F 1/1626; A47B 23/044; H04B 1/3888  
See application file for complete search history.

D467,799 S	12/2002	Persson	
D475,282 S	6/2003	Snaith et al.	
D475,696 S	6/2003	Hussaini et al.	
D493,257 S	7/2004	McCorkindale	
D493,576 S	7/2004	Ward	
6,817,470 B1	11/2004	Goldberg	
D520,001 S	5/2006	Katayama	
D527,227 S *	8/2006	Bertulis .....	D7/629
D528,012 S	9/2006	Snyder	
D531,618 S	11/2006	Kenemer et al.	
D542,664 S	5/2007	Mayers	
D548,970 S	8/2007	Huang	
D553,077 S	10/2007	Kim et al.	
D554,364 S *	11/2007	Rugg .....	D3/217
D556,571 S	12/2007	Jalet	
7,347,325 B2	3/2008	O'Neill et al.	
D566,484 S	4/2008	George	
D586,557 S	2/2009	Jalet	
D592,400 S	5/2009	Nelson	
D594,659 S	6/2009	Lown et al.	
D595,952 S	7/2009	Nussberger	
D596,393 S	7/2009	Leung et al.	
D599,546 S	9/2009	Lown et al.	
D600,913 S	9/2009	Kalbach	
7,584,841 B2	9/2009	Chan et al.	
D601,366 S	10/2009	Barabas et al.	
D604,501 S	11/2009	Lee	
D606,307 S	12/2009	Gauss	
D614,400 S *	4/2010	Simonian .....	D3/217
7,855,529 B2	12/2010	Liu	
D634,115 S	3/2011	Long, Jr. et al.	
D637,647 S	5/2011	Allison et al.	
D642,159 S	7/2011	Joseph	
D648,980 S	11/2011	Forti et al.	
D666,821 S	9/2012	Phillips et al.	
D666,824 S	9/2012	Phillips et al.	
D666,826 S	9/2012	Phillips et al.	
D670,497 S	11/2012	Phillips et al.	
D672,642 S	12/2012	Supranowicz	
D674,688 S	1/2013	Loftin et al.	
D677,888 S	3/2013	Sogabe	
8,399,764 B2	3/2013	Klosky	
D681,613 S	5/2013	Magness et al.	
D692,664 S	11/2013	Rashid	
D708,784 S	7/2014	Kim	
D718,741 S	12/2014	Lui et al.	
D718,750 S	12/2014	Young et al.	
D720,096 S	12/2014	McDougall	
8,961,015 B1	2/2015	Bihn	
D723,461 S	3/2015	Chen	
9,125,478 B2 *	9/2015	Li .....	A45F 3/047
D748,606 S	2/2016	Abayomi et al.	
D757,685 S	5/2016	Park et al.	

(56) **References Cited**

**U.S. PATENT DOCUMENTS**

D228,598 S	10/1973	Mattheis	
D232,869 S *	9/1974	Yoshimura .....	D3/217
D239,160 S	3/1976	Giberstein	
D287,336 S	12/1986	Roehrig	
4,907,694 A	3/1990	Miller et al.	
D310,480 S	9/1990	Geiger	
D317,407 S	6/1991	Gray et al.	
D322,752 S	12/1991	Zintzmeyer	
D323,292 S	1/1992	Jones	
D338,102 S	8/1993	Mcguire et al.	
D362,542 S	9/1995	Richards et al.	
D375,197 S	11/1996	Laherty	
5,740,624 A	4/1998	Baseley	
D399,604 S	10/1998	Wolff	
D405,256 S	2/1999	Chacon et al.	
D426,950 S	6/2000	Conway	
D427,424 S	7/2000	Conway	
6,305,538 B1	10/2001	Jackson	





U.S. Office Action dated Feb. 2, 2022 pertaining to U.S. Appl. No. 29/726,011, filed Feb. 28, 2020, 15 pages.

U.S. Office Action dated Feb. 2, 2022 pertaining to U.S. Appl. No. 29/712,868, filed Nov. 12, 2019, 112 pages.

This AirPods Accessory is strangely awesome—Catalist AirPods Case, publication date Apr. 7, 2017, [online][site visited Sep. 9, 2019] URL: <https://www.cnet.com/news/coming-soon-a-waterproof-case-for-your-airpods-case/> (Year: 2017).

This glow-in-the-dark, waterproof AirPods case—Catalist AirPods Case, publication date Apr. 14, 2017, [online][site visited Sep. 9, 2019] URL: <https://www.theverge.com/circuitbreaker/2017/4/14/15306100/catalyst-case-airpods-sale-glow-in-the-dark> (Year: 2017).

Kim1991tae. “AirPod Case Catalyst.” Naver, Aug. 9, 2017. Web. <http://blog.naver.com/kim1991tae/221070237784>.

\* cited by examiner

*Primary Examiner* — Katie Jane Stofko

(74) *Attorney, Agent, or Firm* — Dinsmore & Shohl LLP

(57)

**CLAIM**

The ornamental design for a case for electronic device, as shown and described.

**DESCRIPTION**

FIG. 1 is a front, top and right side perspective view of a first embodiment of a case for electronic device;

FIG. 2 is a front elevation view thereof;

FIG. 3 is a rear elevation view thereof;

FIG. 4 is a left side elevation view thereof;

FIG. 5 is a right side elevation view thereof;

FIG. 6 is a top plan view thereof;

FIG. 7 is a bottom plan view thereof;

FIG. 8 is a front, top and right side perspective view of a second embodiment of a case for electronic device;

FIG. 9 is a front elevation view thereof;

FIG. 10 is a rear elevation view thereof;

FIG. 11 is a left side elevation view thereof;

FIG. 12 is a right side elevation view thereof;

FIG. 13 is a top plan view thereof;

FIG. 14 is a bottom plan view thereof;

FIG. 15 is a front, top and right side perspective view of a third embodiment of a case for electronic device;

FIG. 16 is a front elevation view thereof;

FIG. 17 is a rear elevation view thereof;

FIG. 18 is a left side elevation view thereof;

FIG. 19 is a right side elevation view thereof;

FIG. 20 is a top plan view thereof;

FIG. 21 is a bottom plan view thereof;

FIG. 22 is a front, top and right side perspective view of a fourth embodiment of a case for electronic device;

FIG. 23 is a front elevation view thereof;

FIG. 24 is a rear elevation view thereof;

FIG. 25 is a left side elevation view thereof;

FIG. 26 is a right side elevation view thereof;

FIG. 27 is a top plan view thereof; and,

FIG. 28 is a bottom plan view thereof.

The dashed broken lines throughout the drawing figures depict portions of the case for electronic device and environmental subject matter that form no part of the claimed design.

**1 Claim, 28 Drawing Sheets**

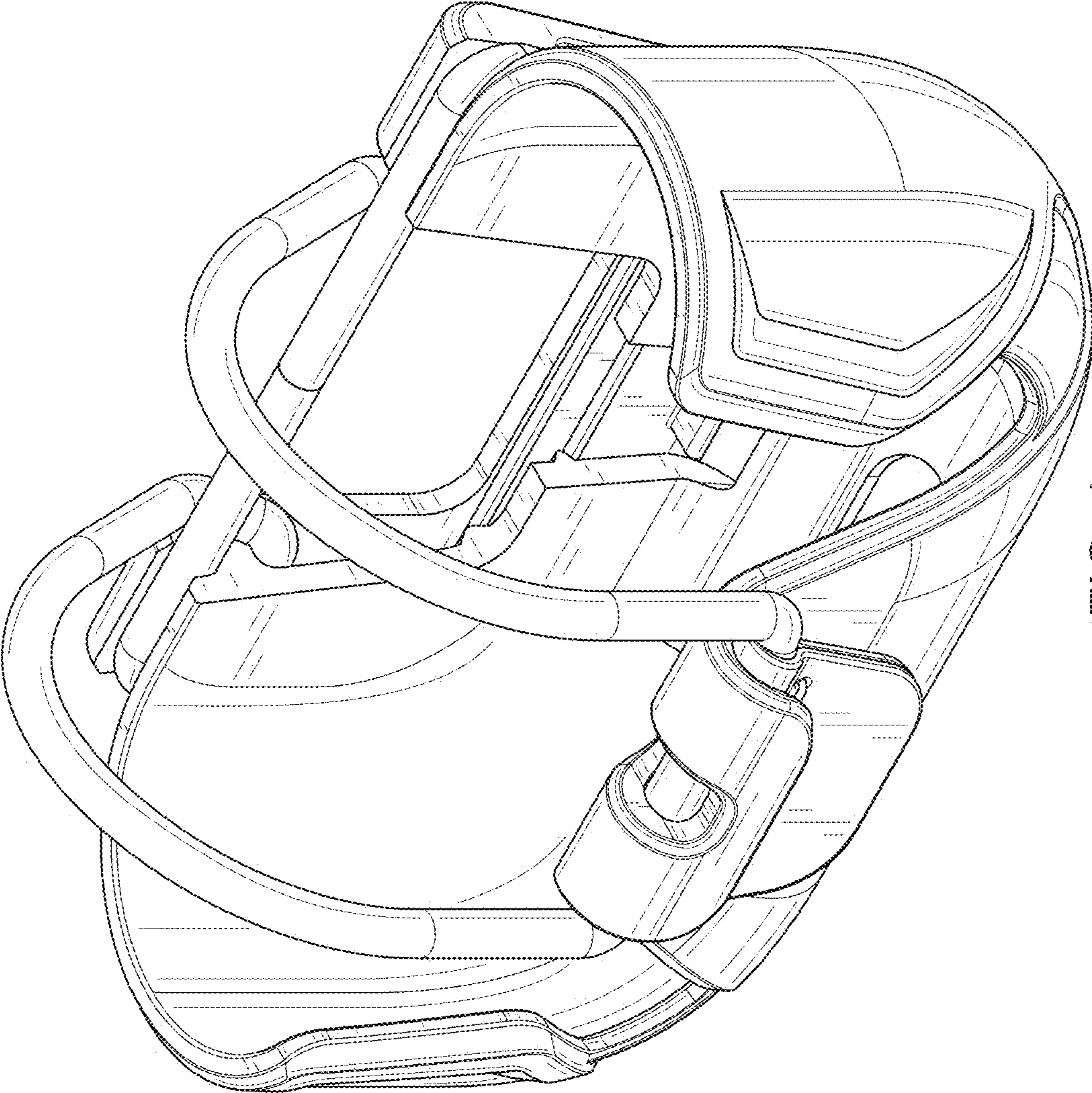


FIG. 1

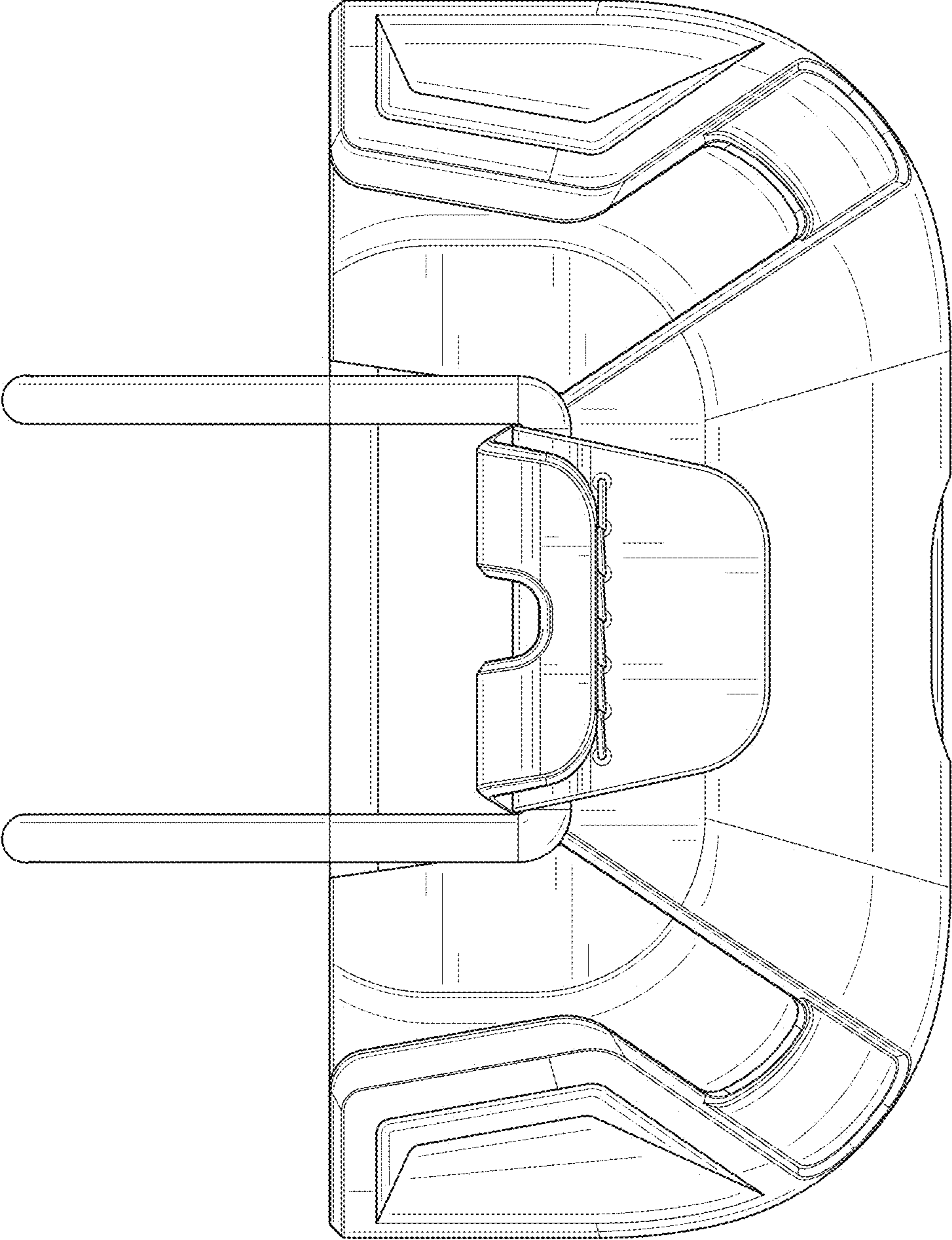


FIG. 2

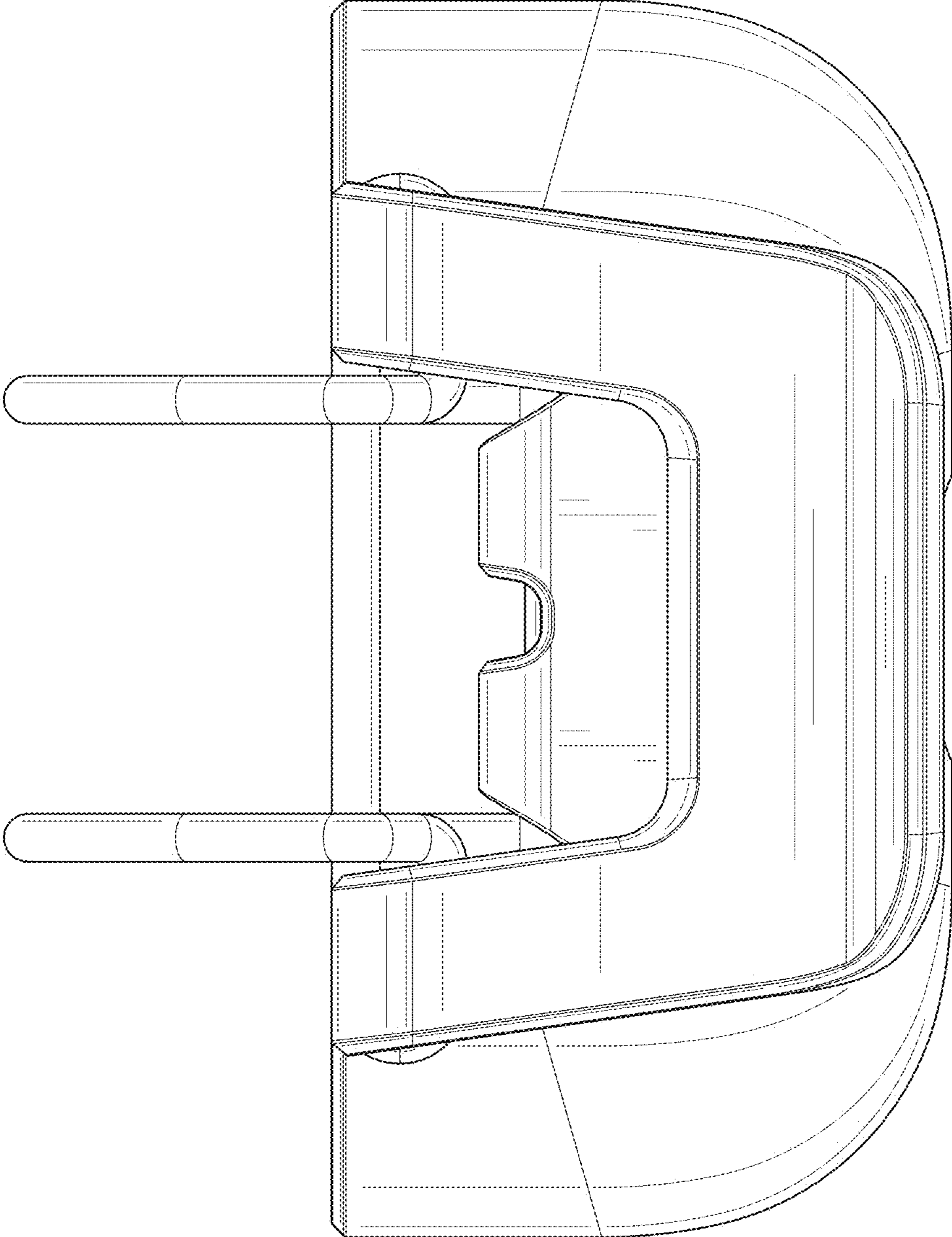


FIG. 3

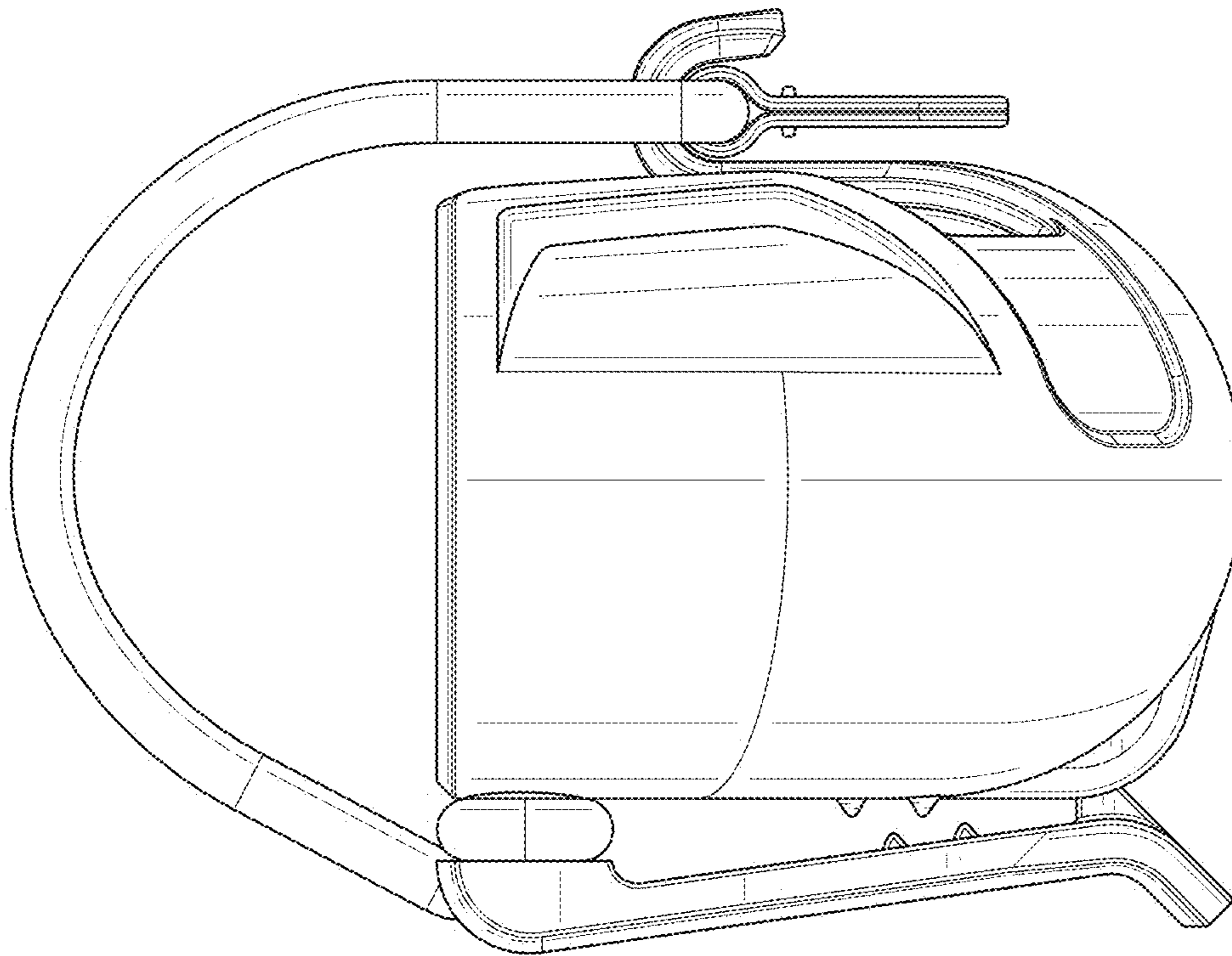


FIG. 4

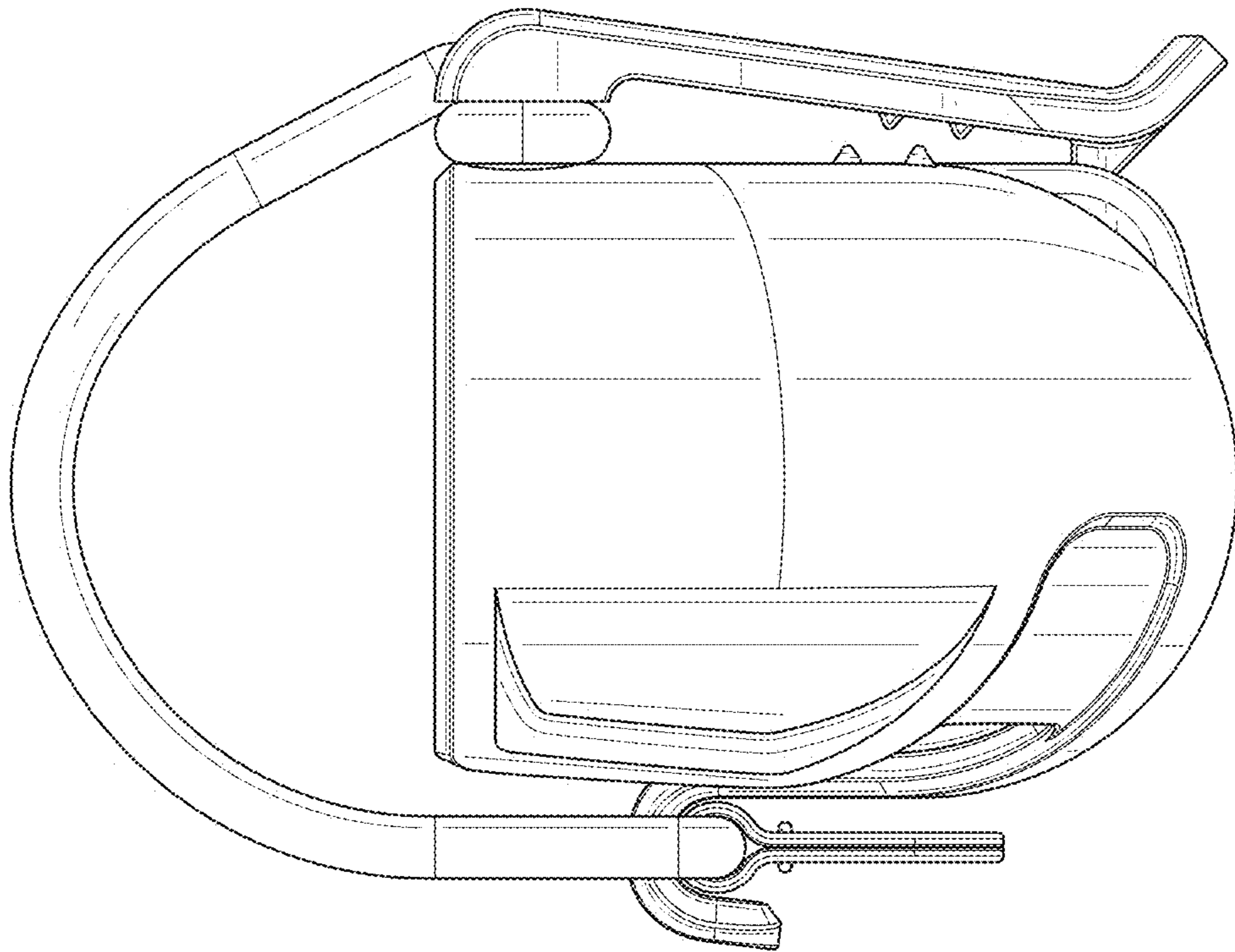


FIG. 5



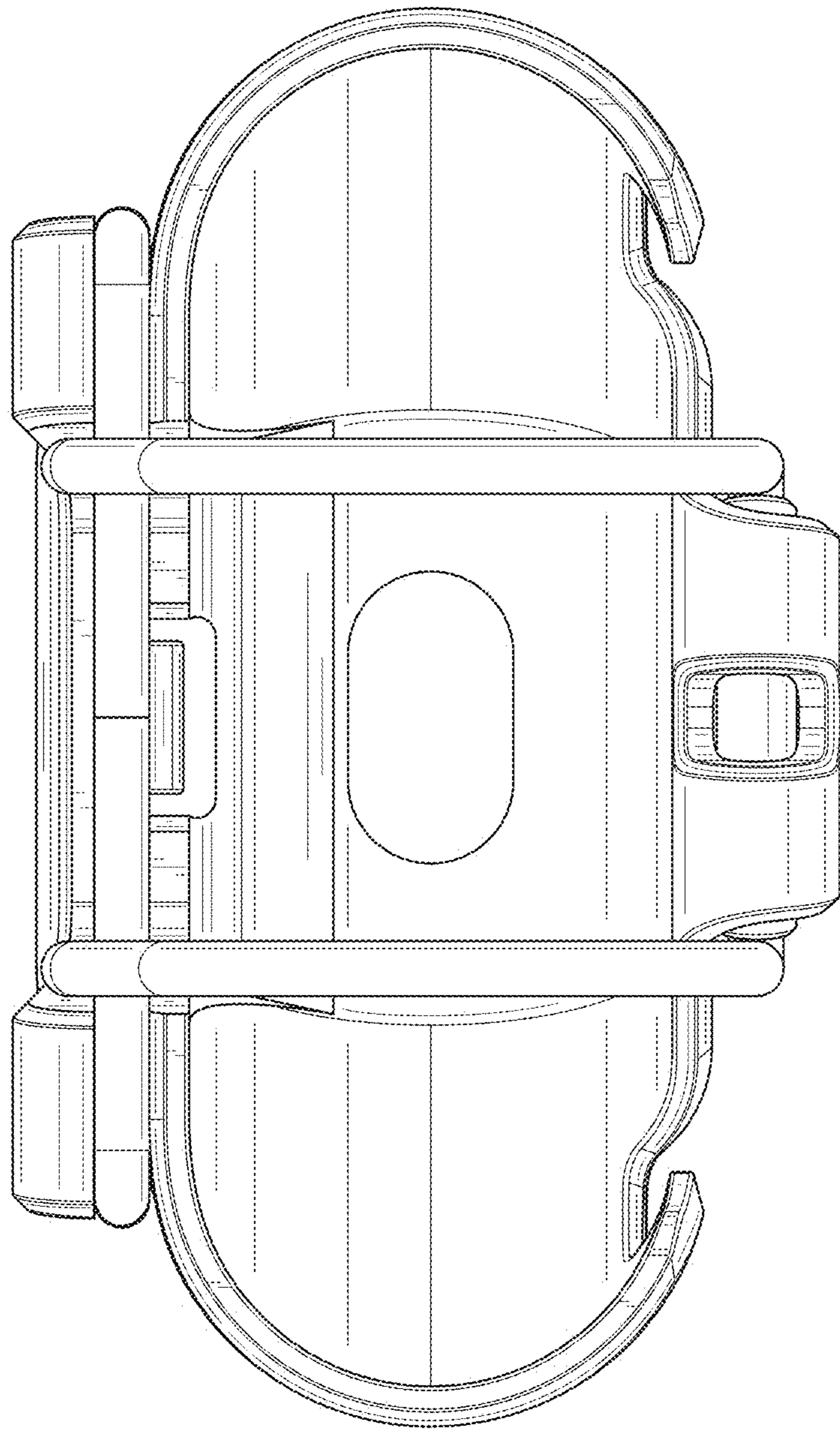


FIG. 6

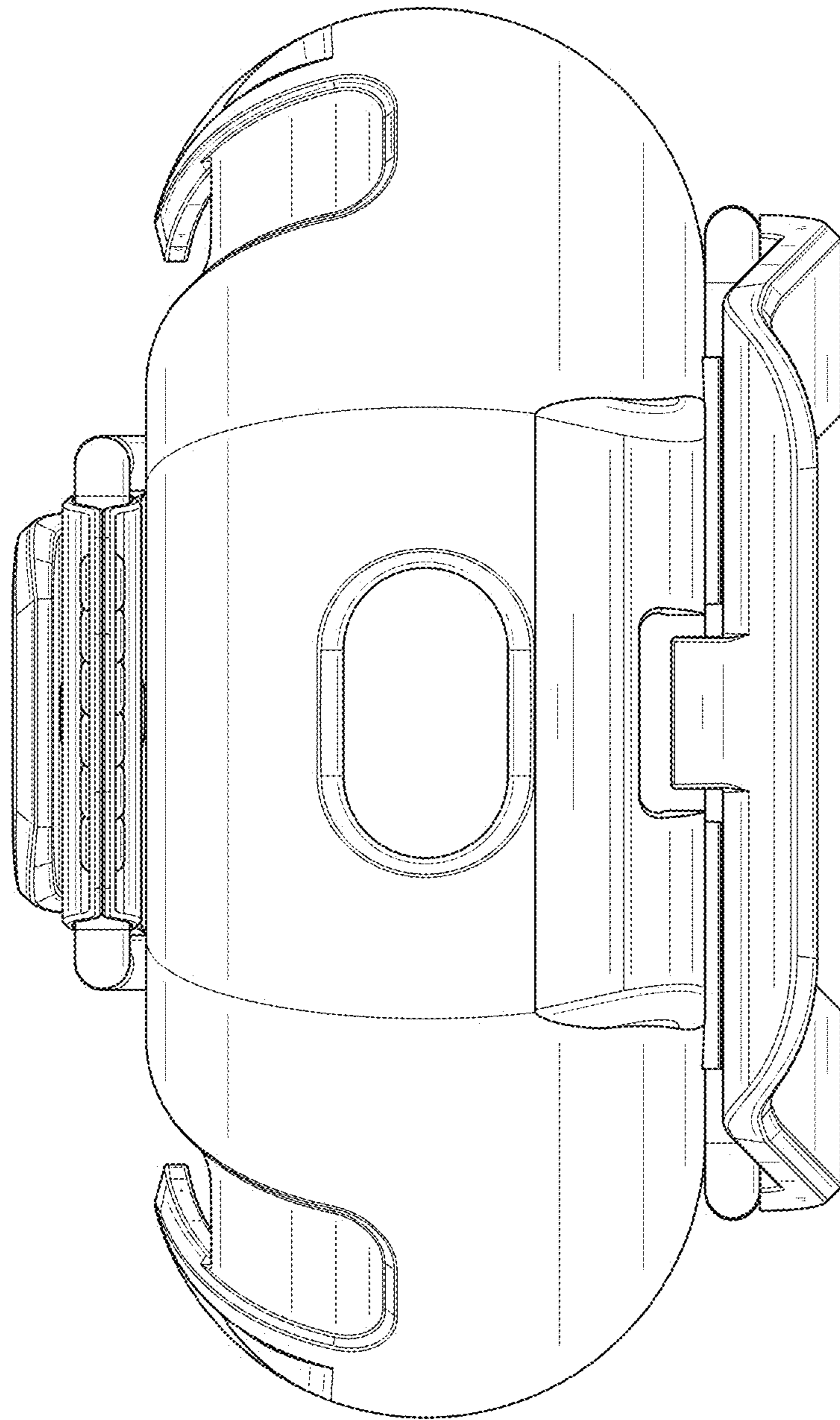


FIG. 7

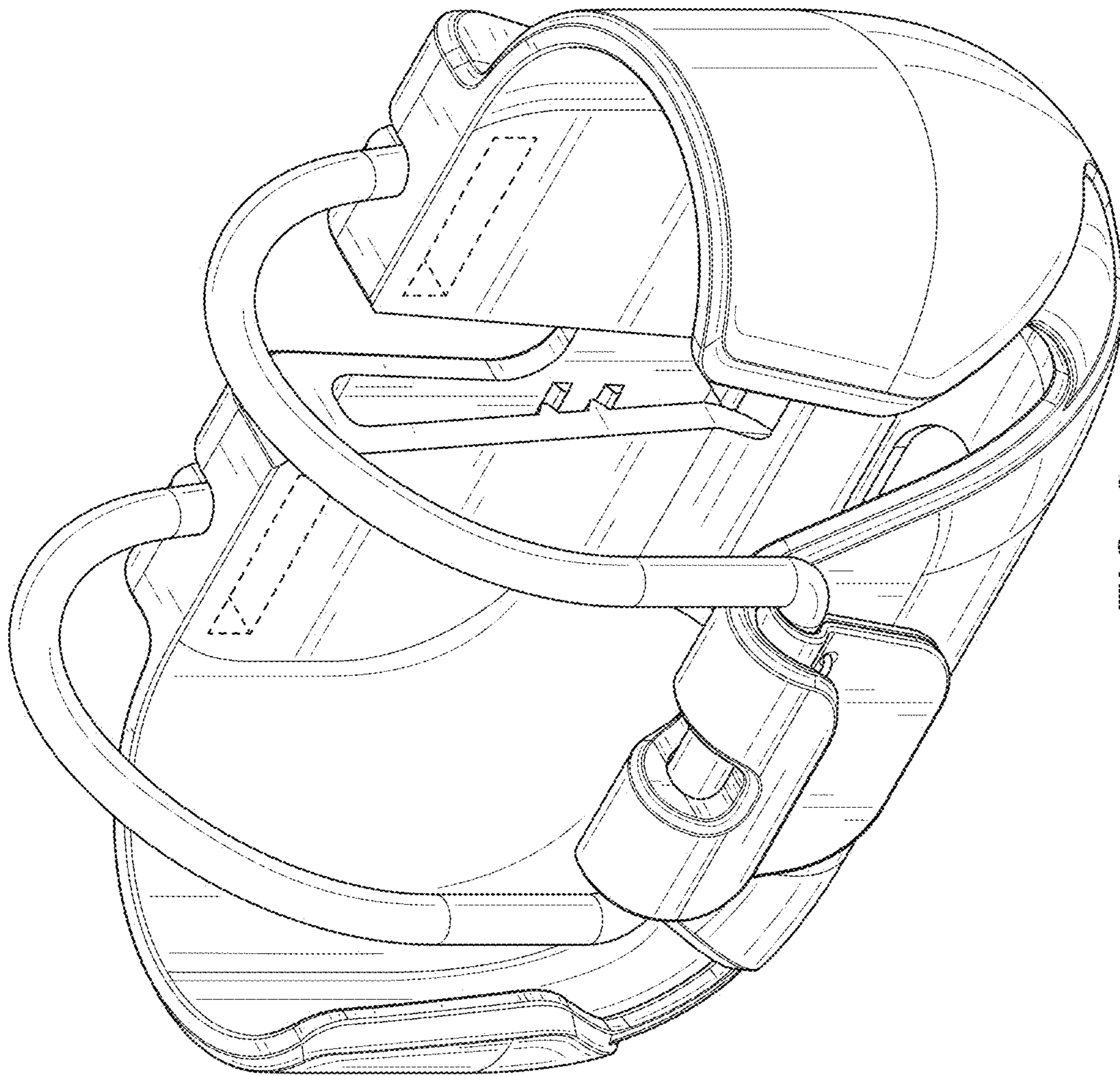


FIG. 8

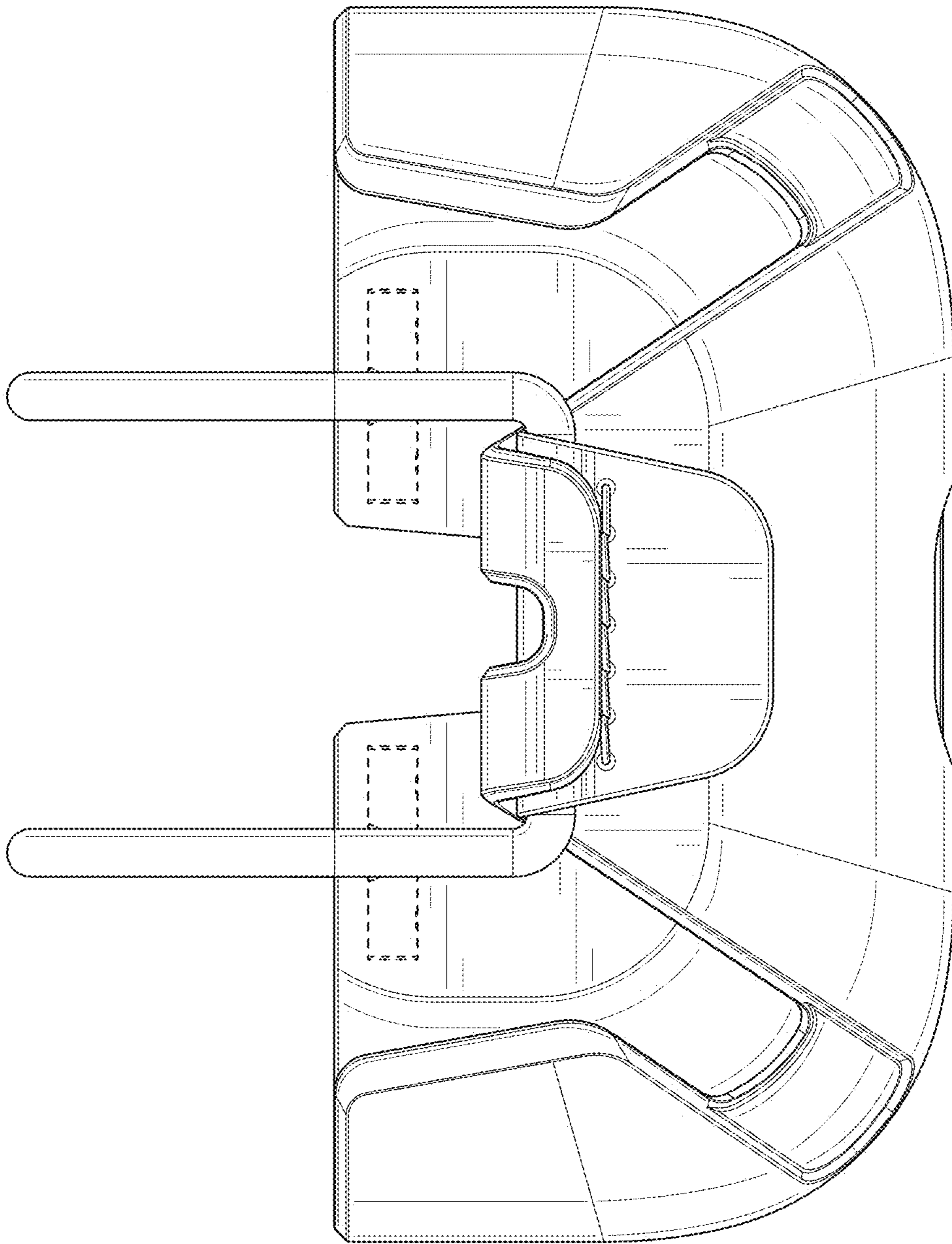


FIG. 9

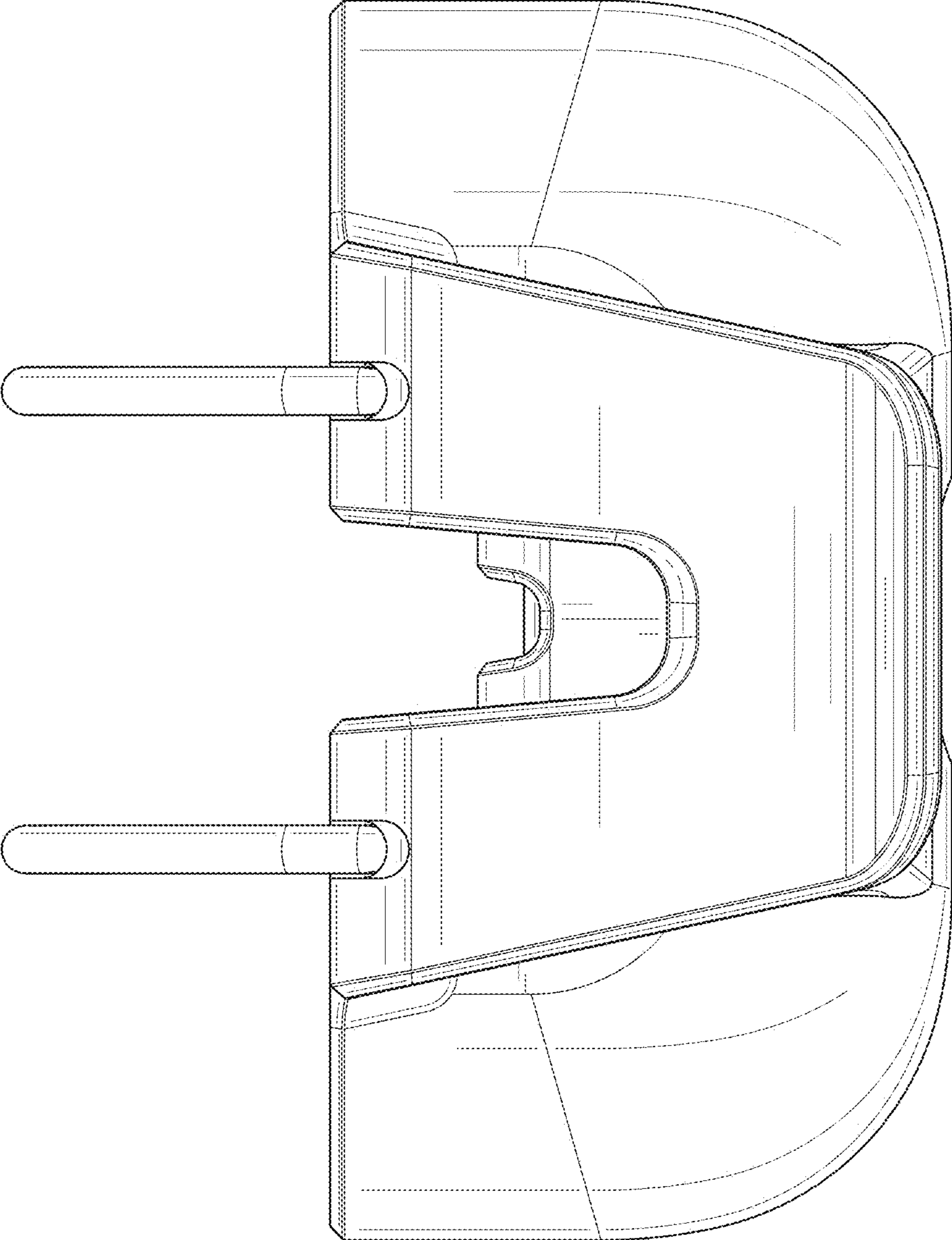


FIG. 10

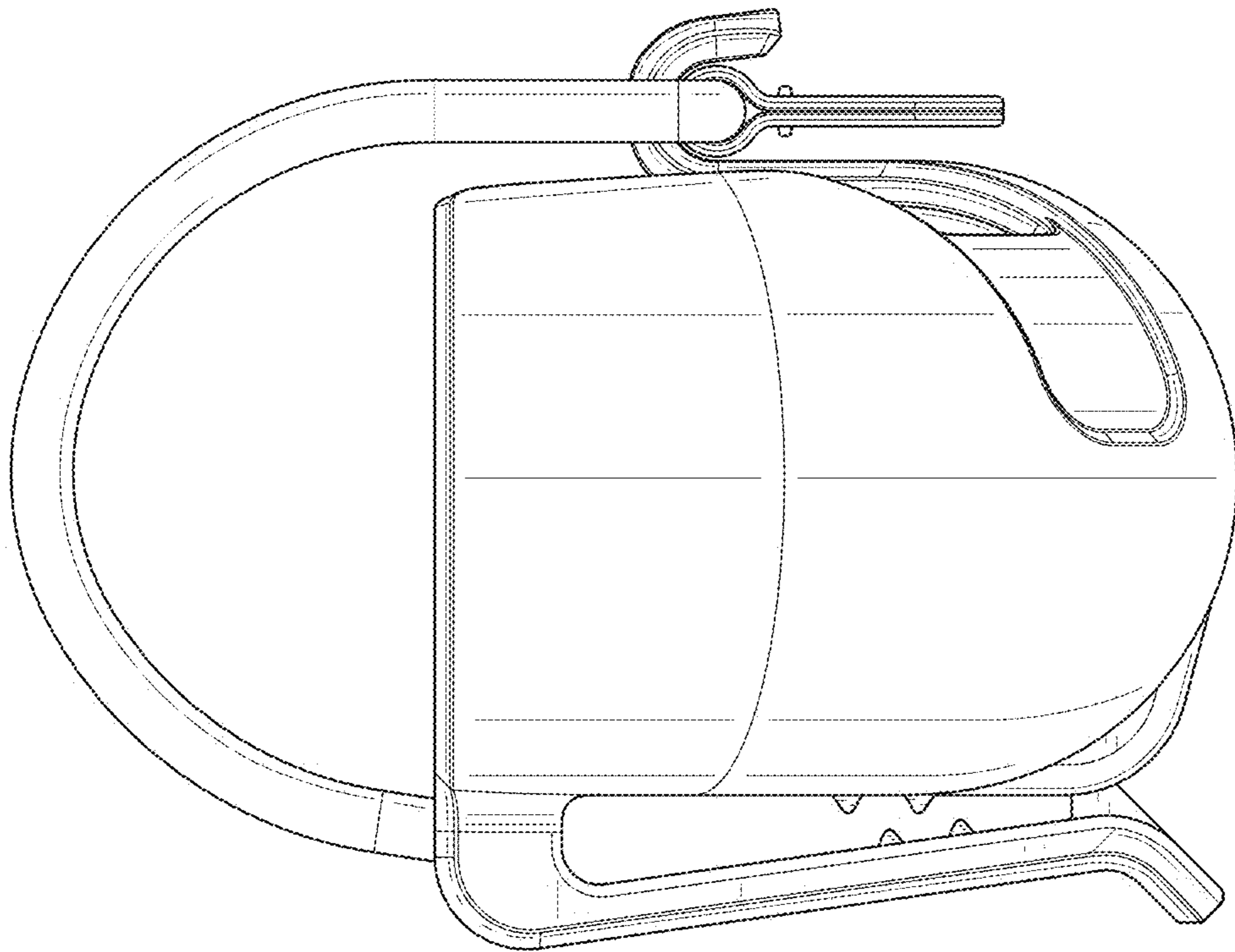


FIG. 11

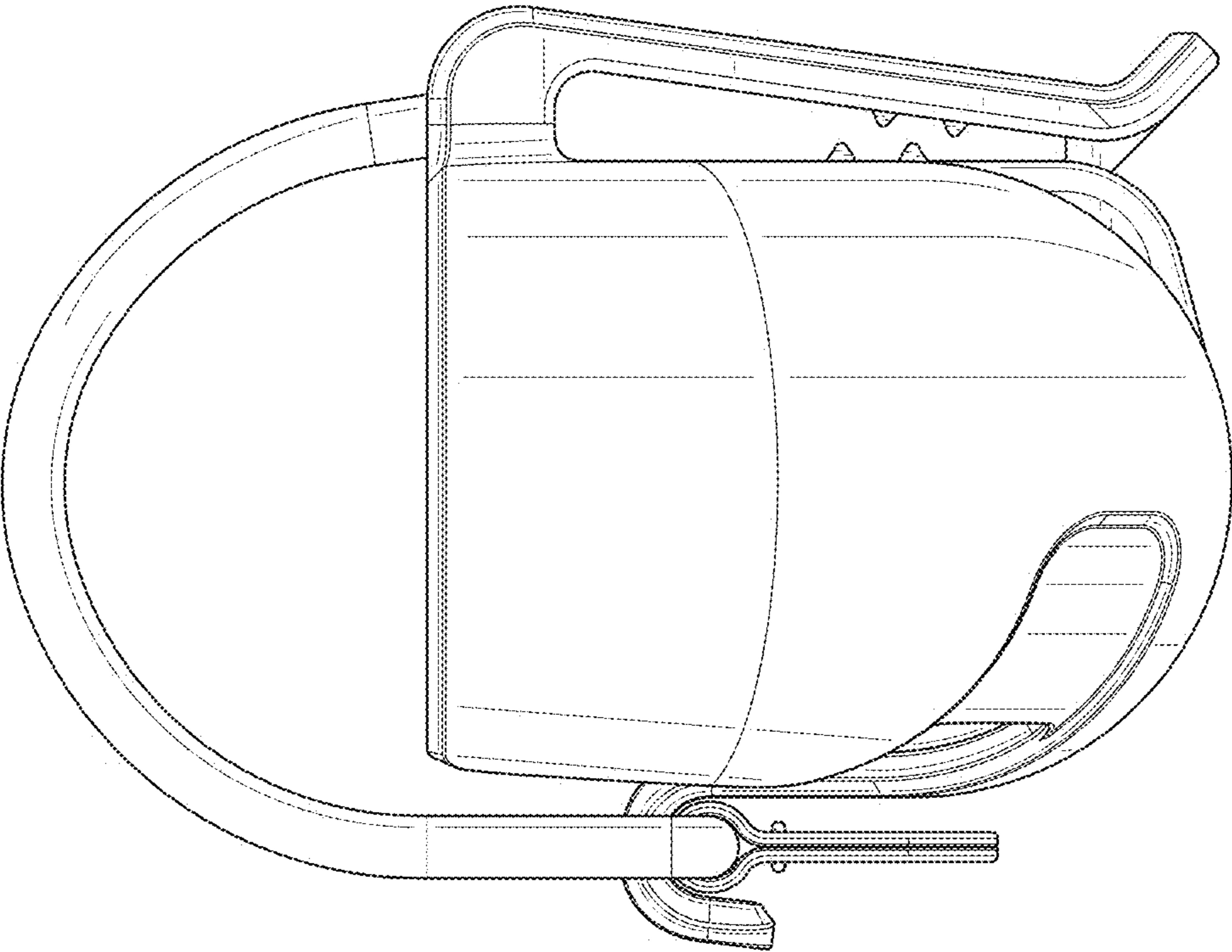


FIG. 12

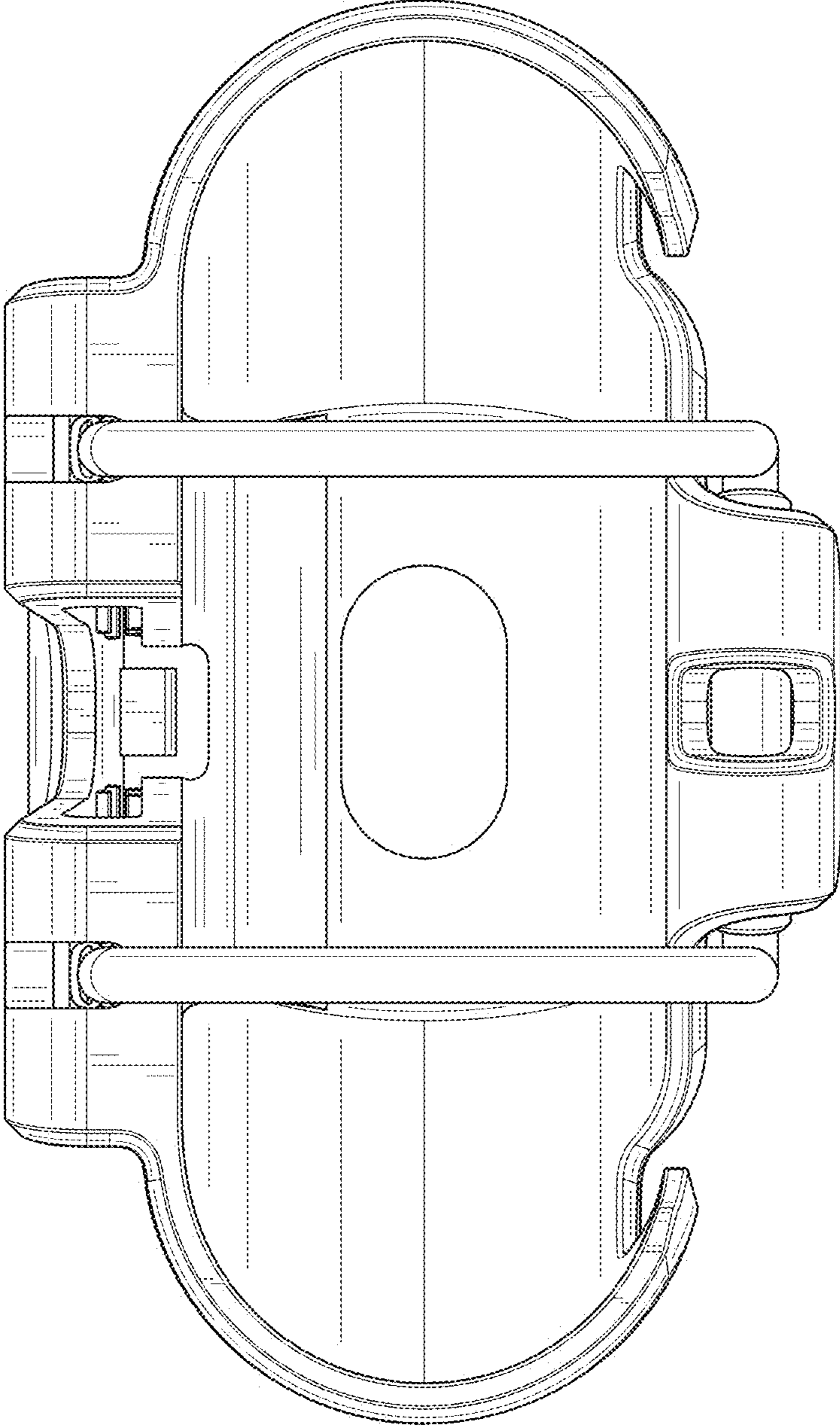


FIG. 13



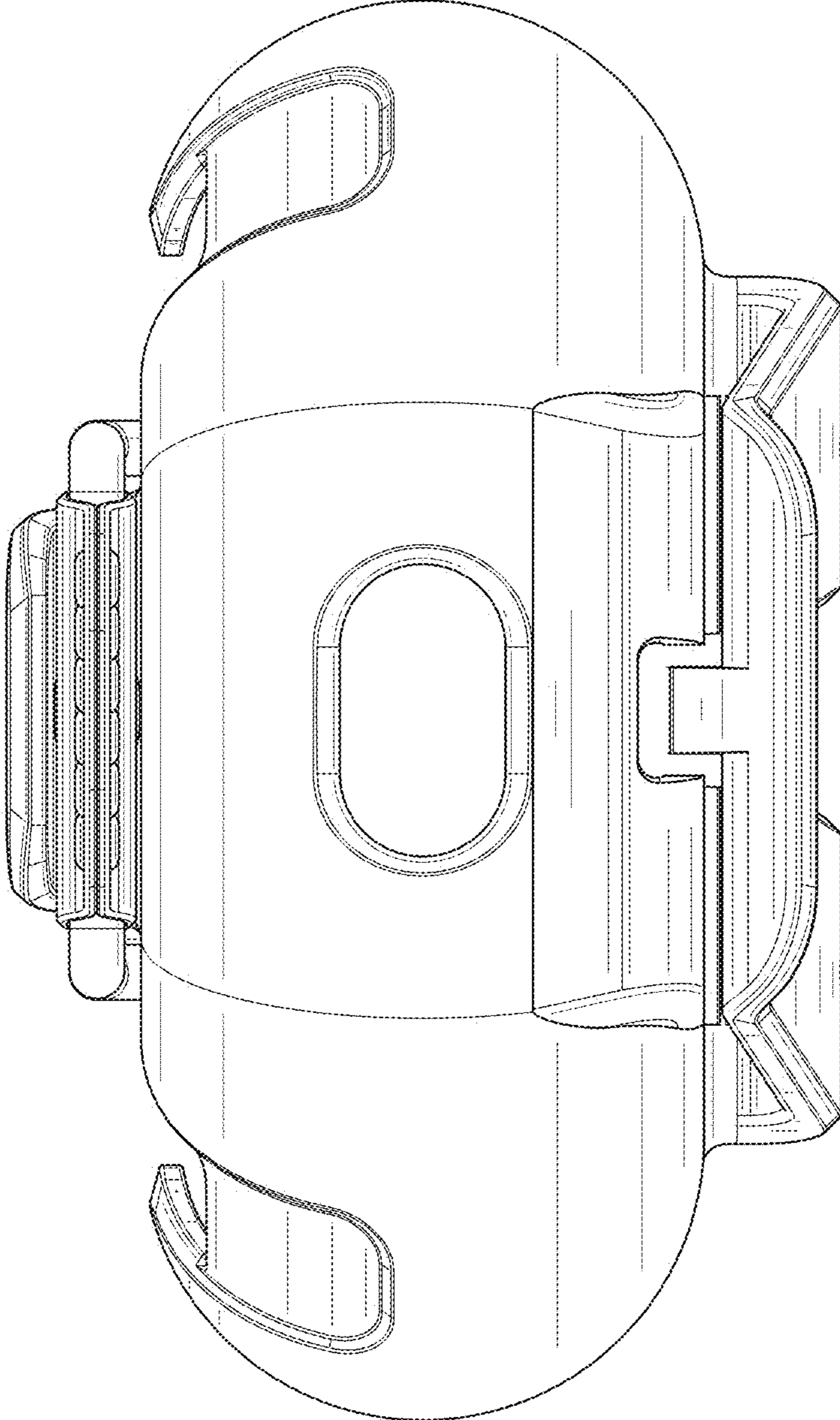


FIG. 14

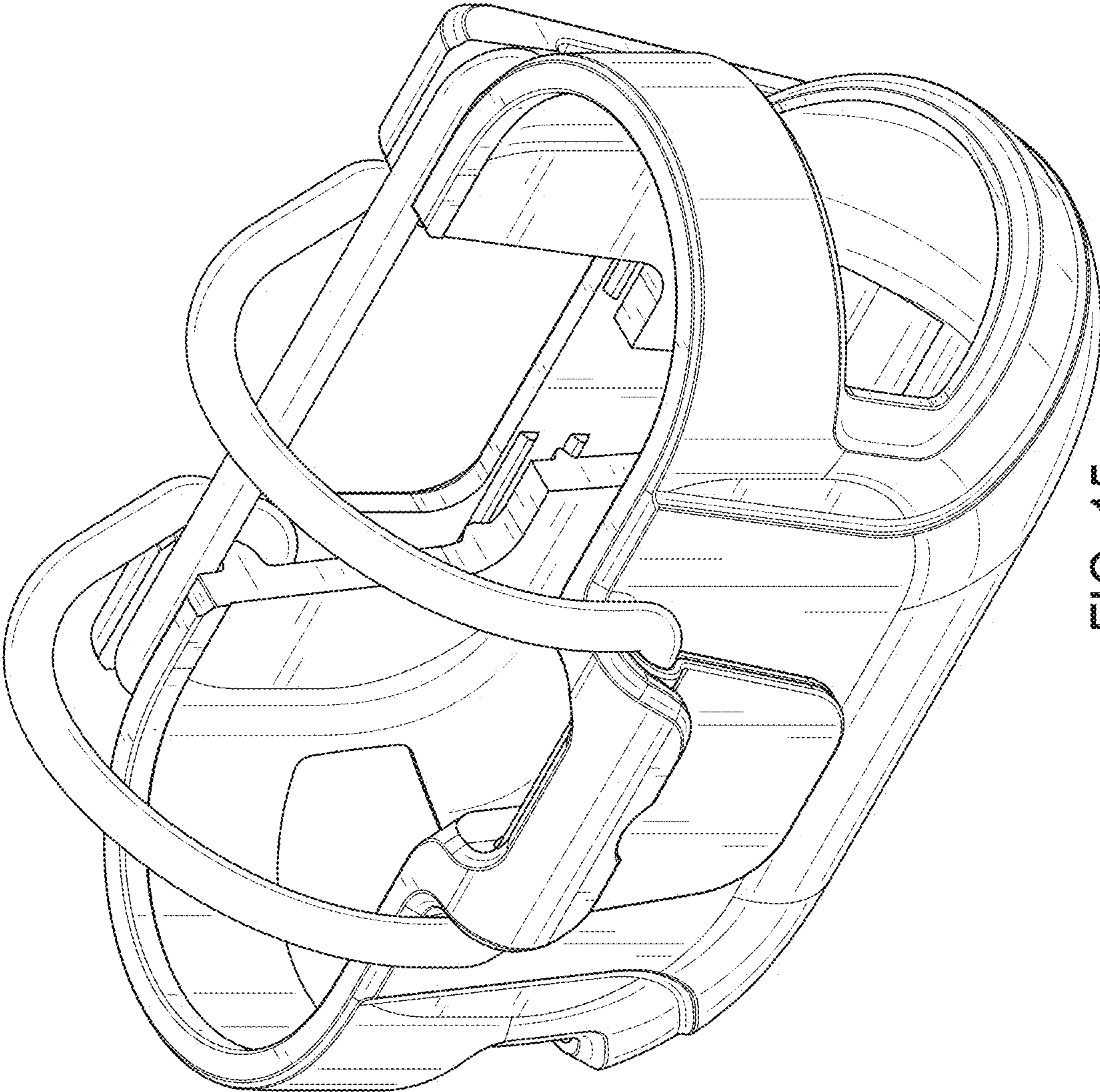


FIG. 15

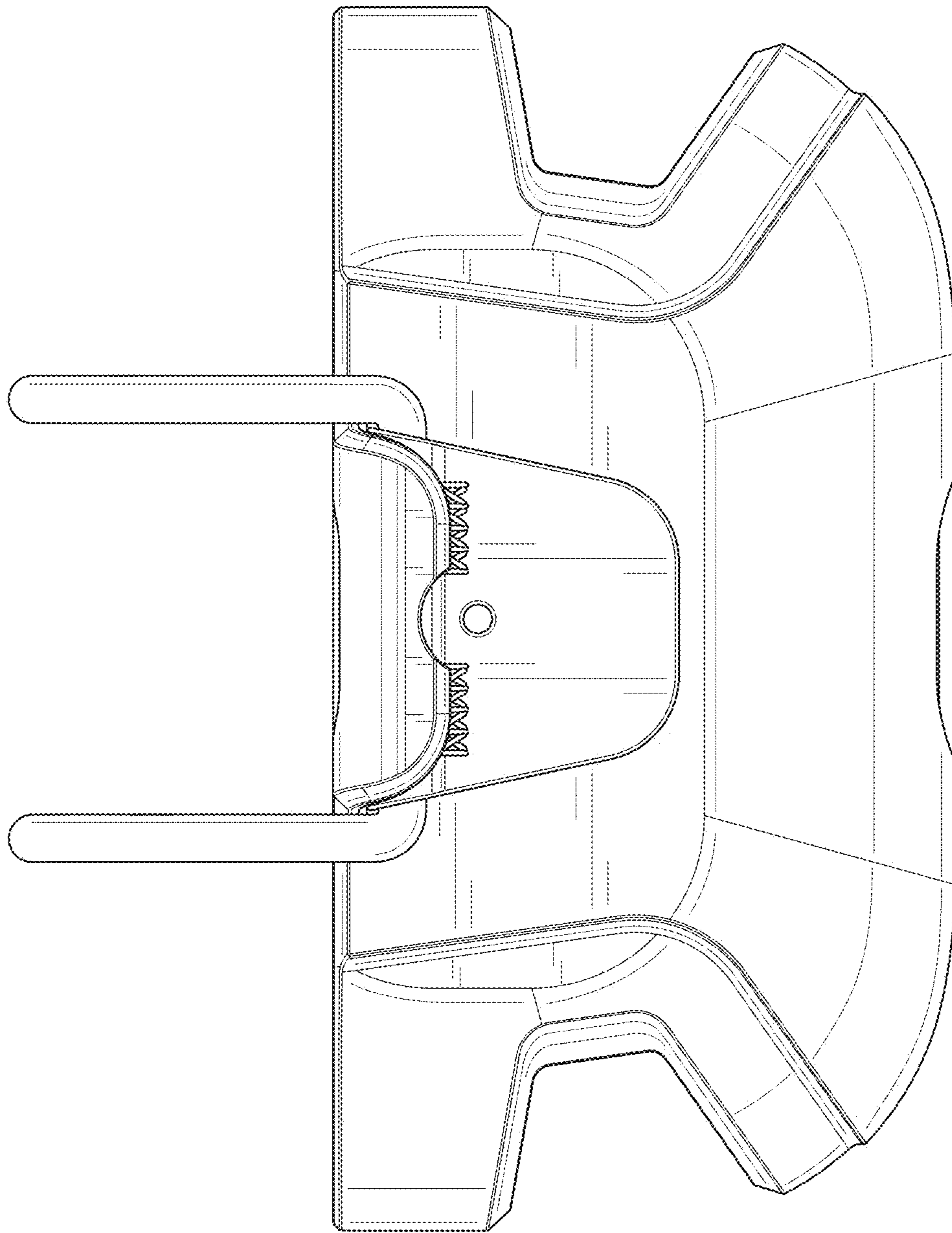


FIG. 16

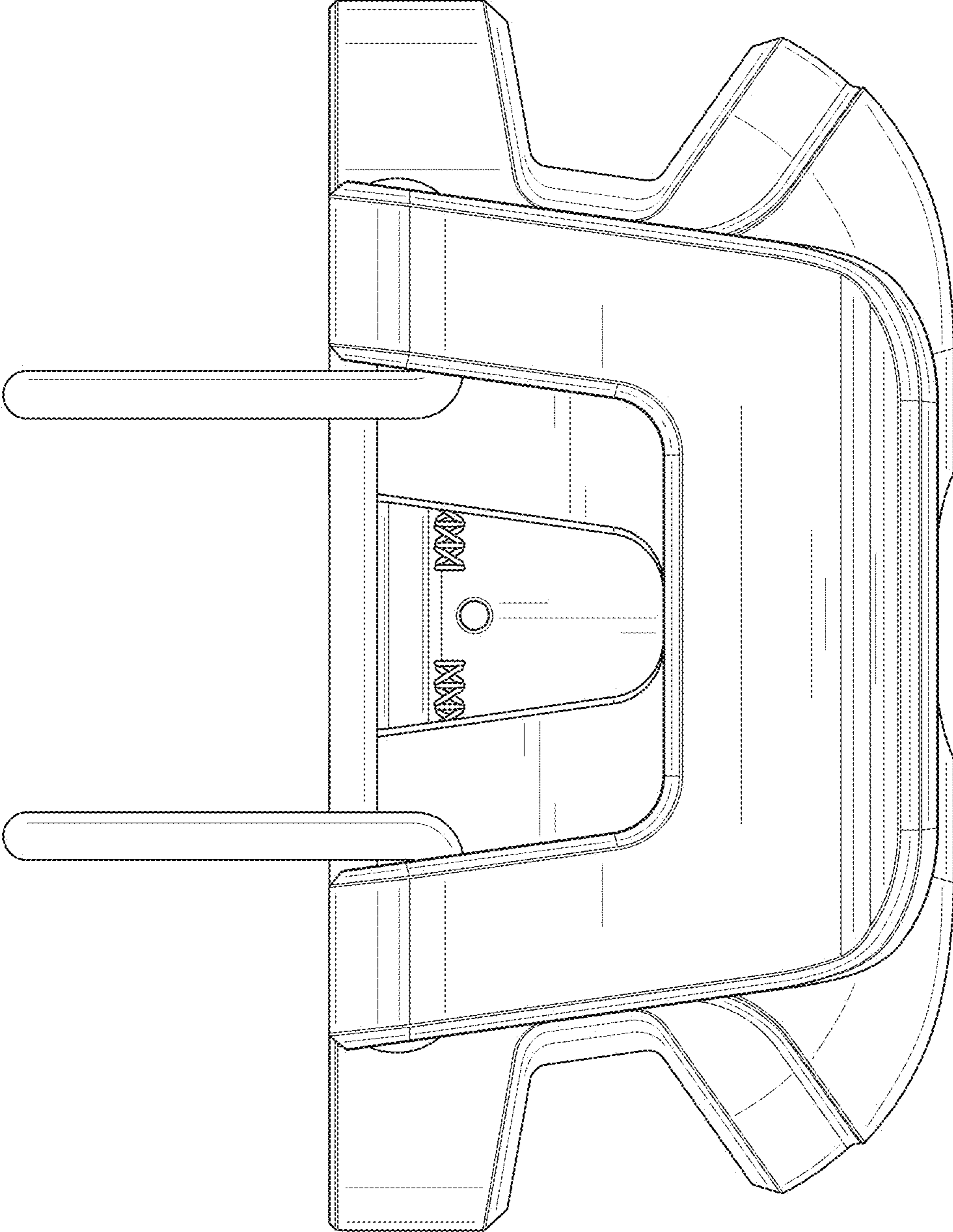


FIG. 17

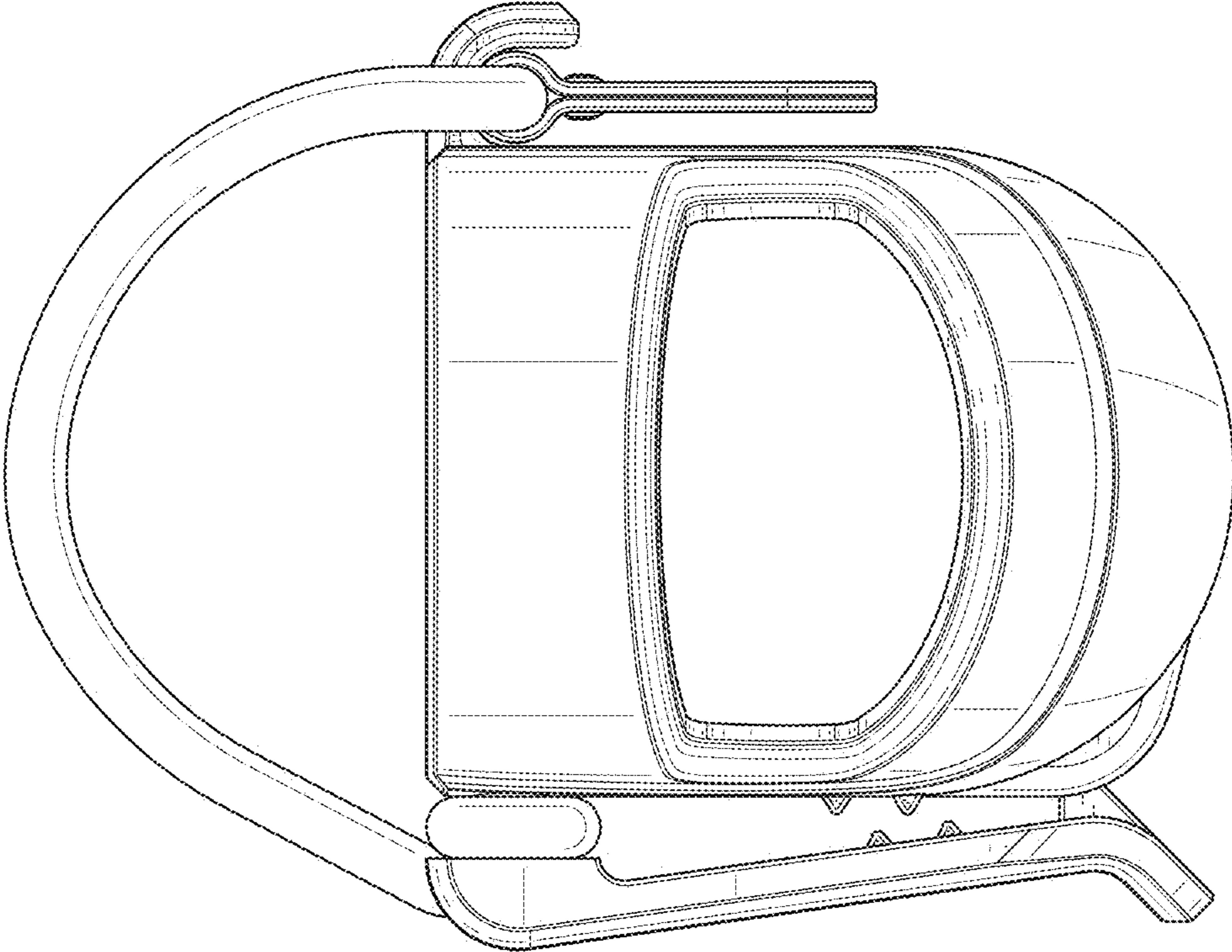


FIG. 18

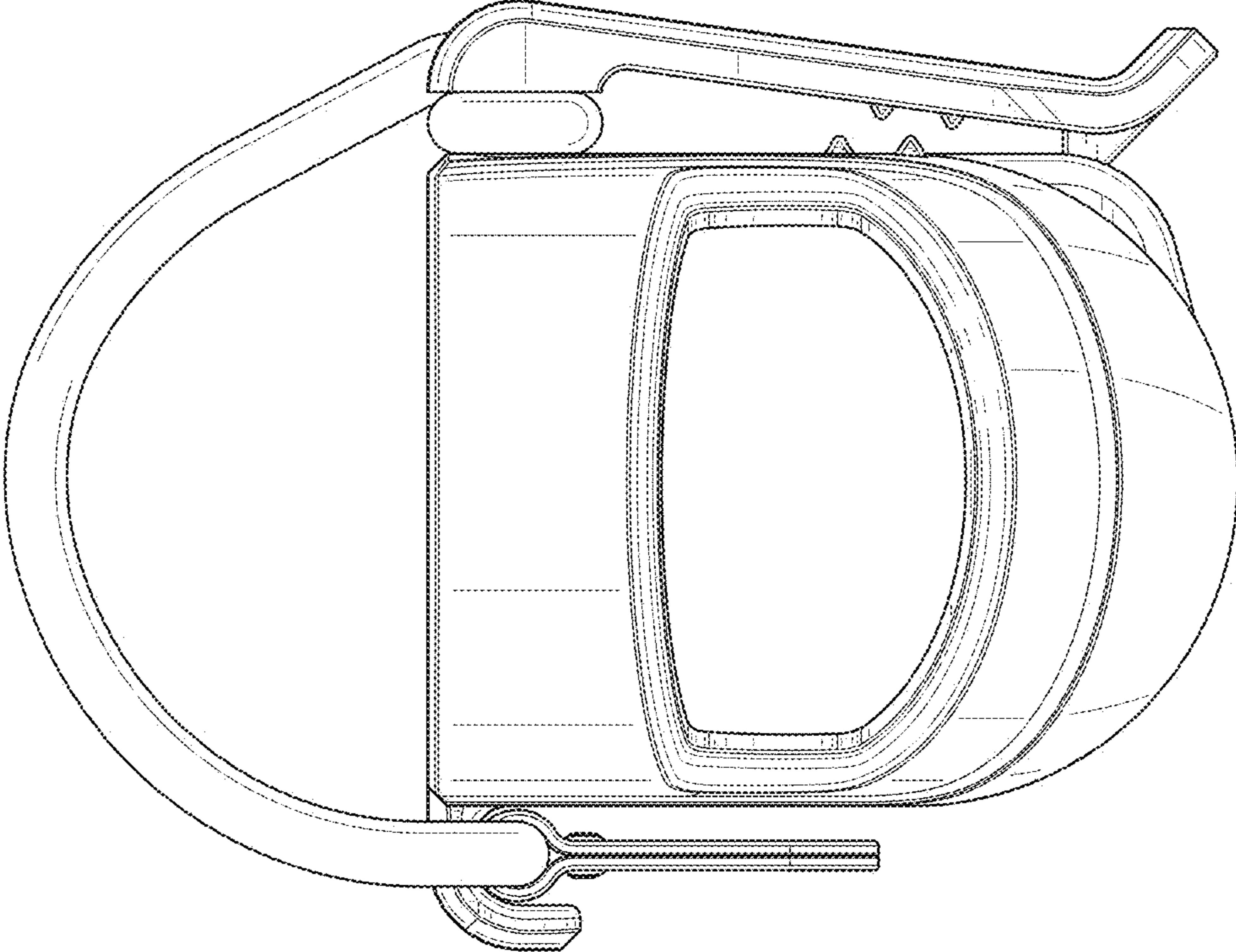


FIG. 19

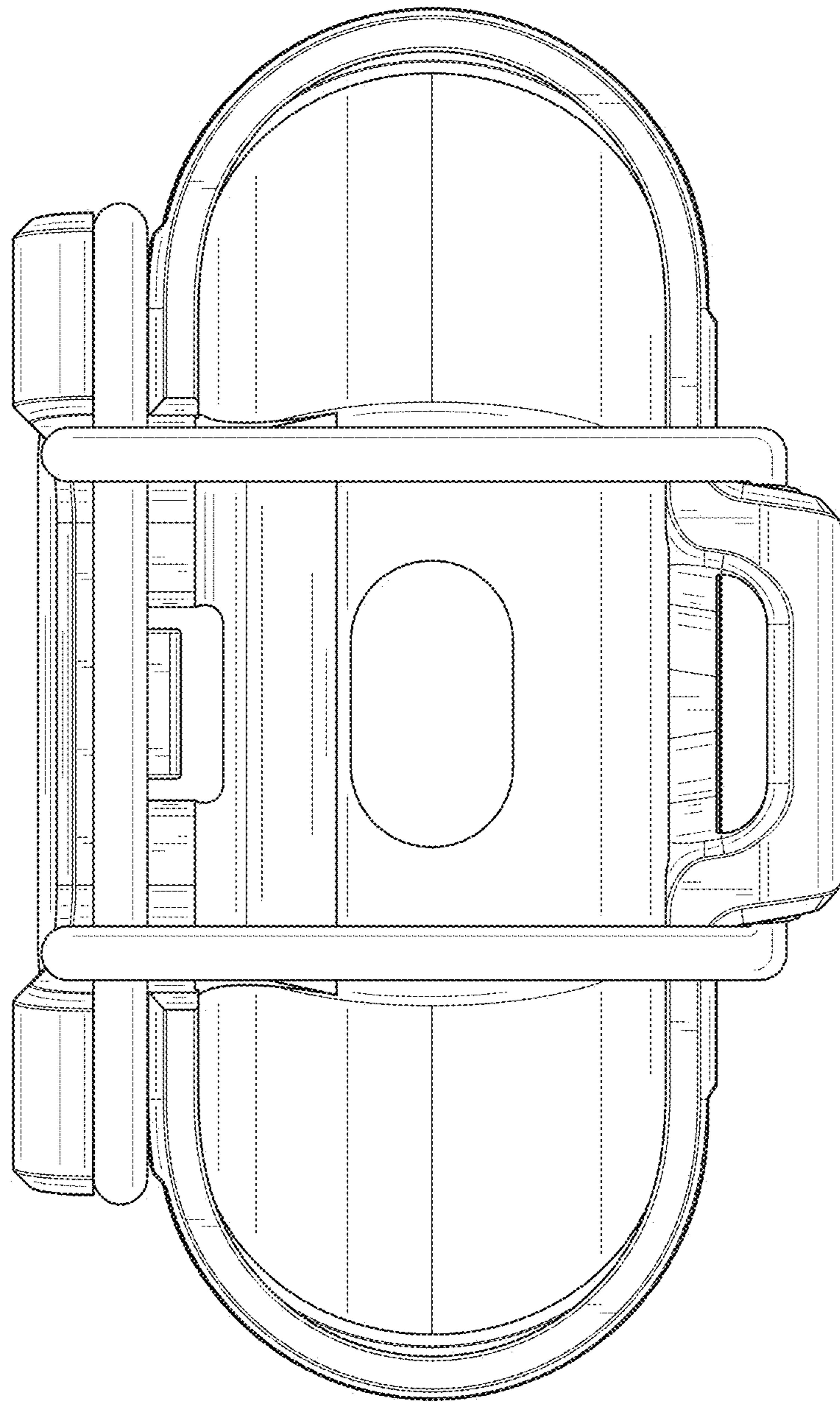


FIG. 20

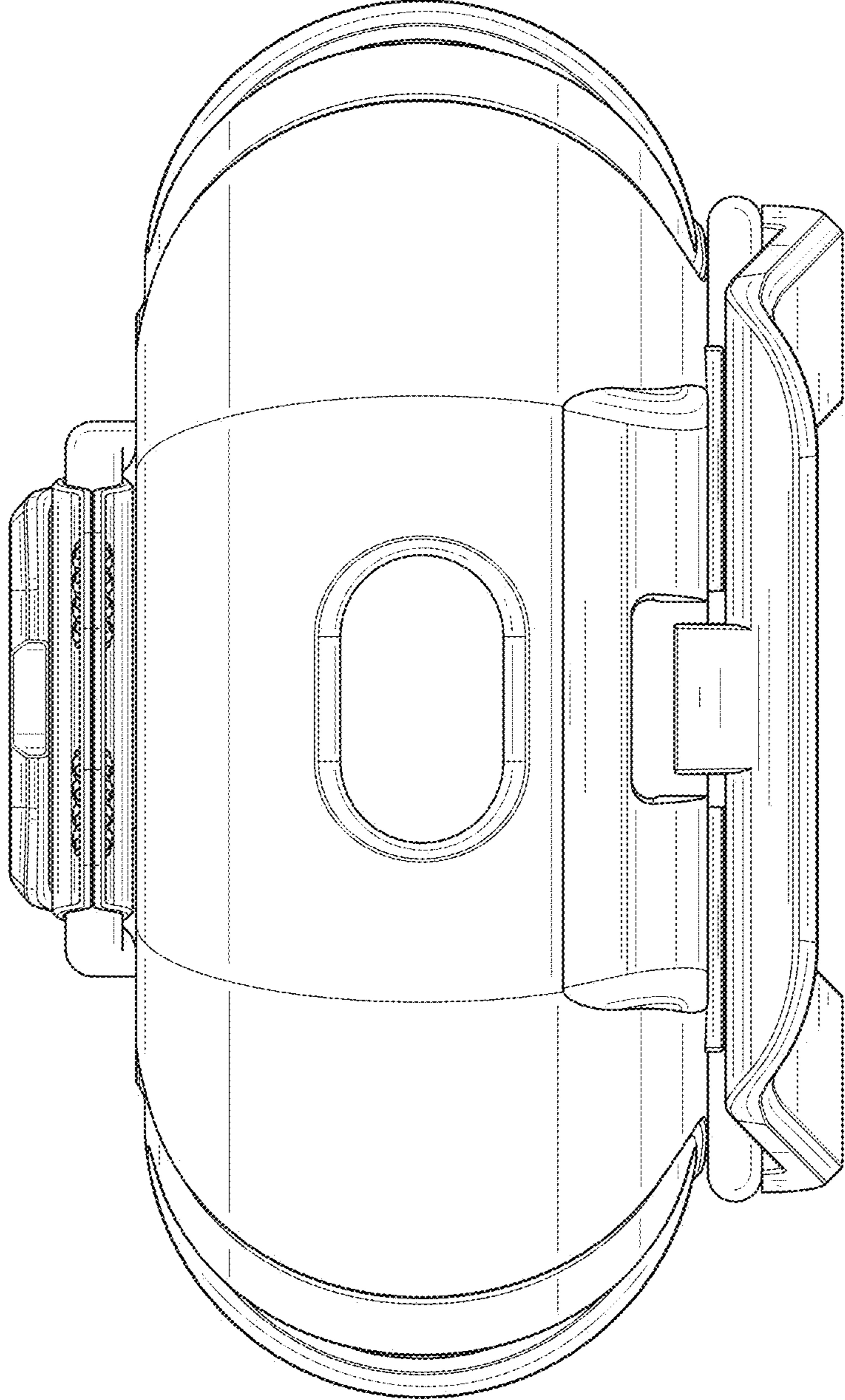


FIG. 21



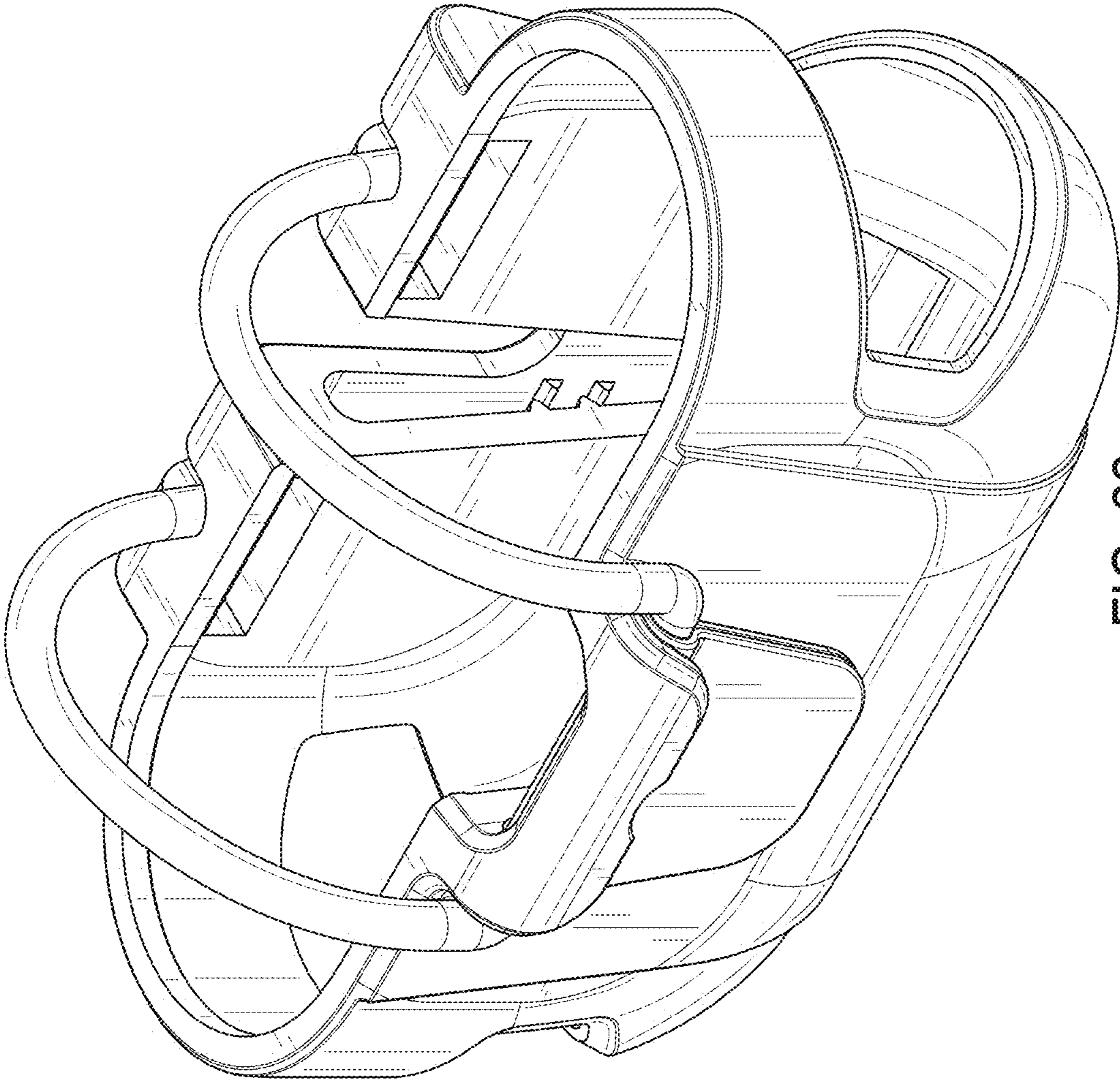


FIG. 22

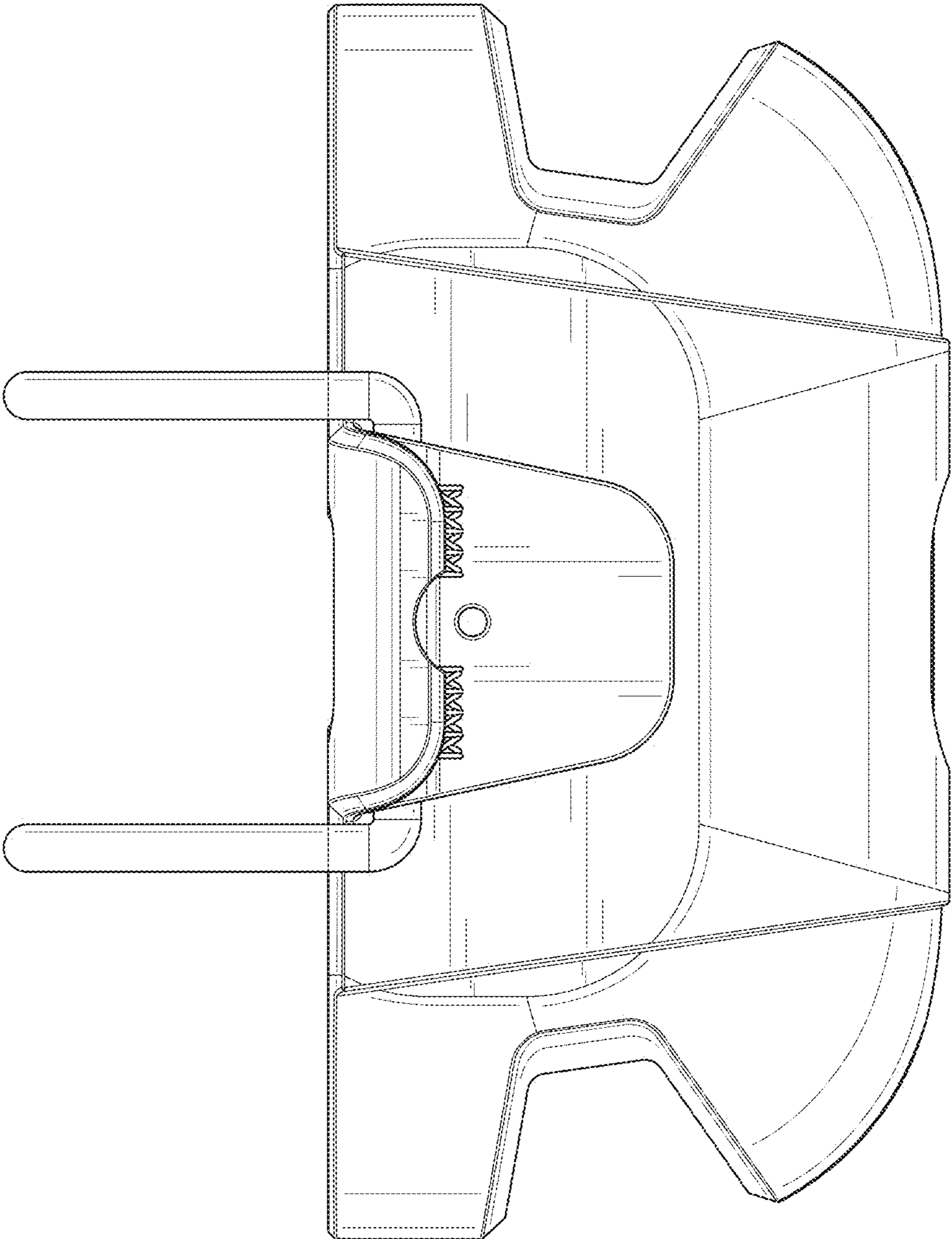


FIG. 23

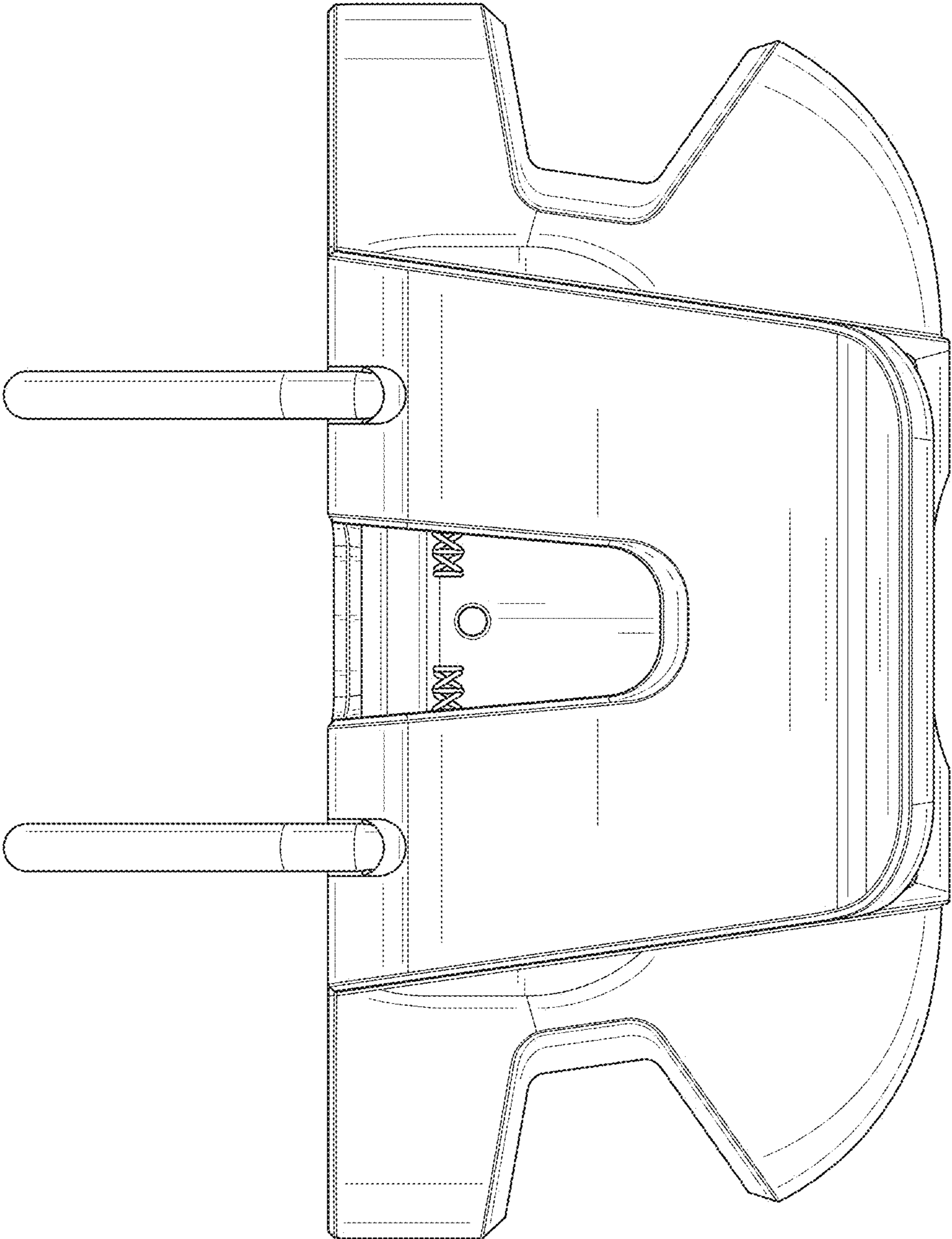


FIG. 24

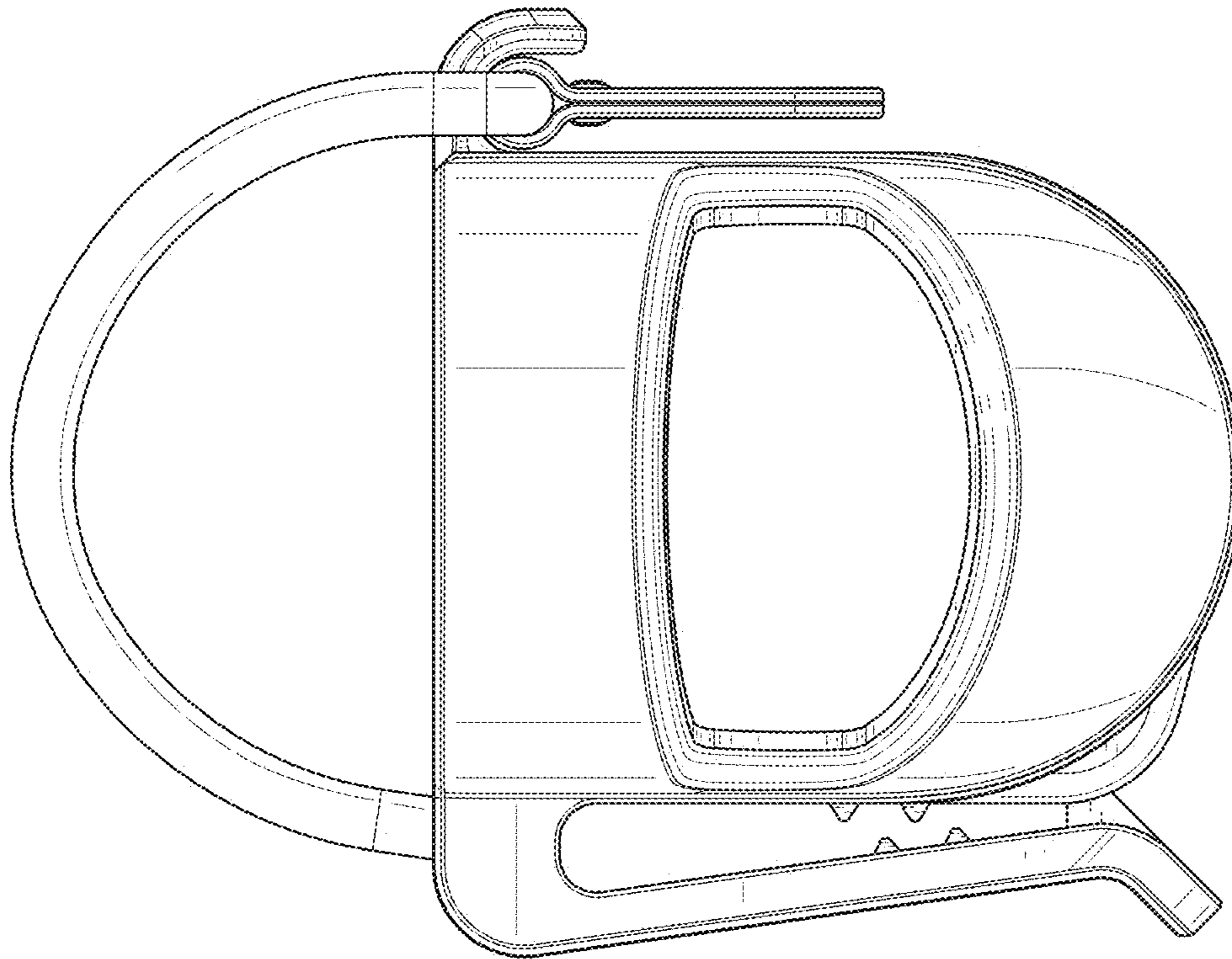


FIG. 25

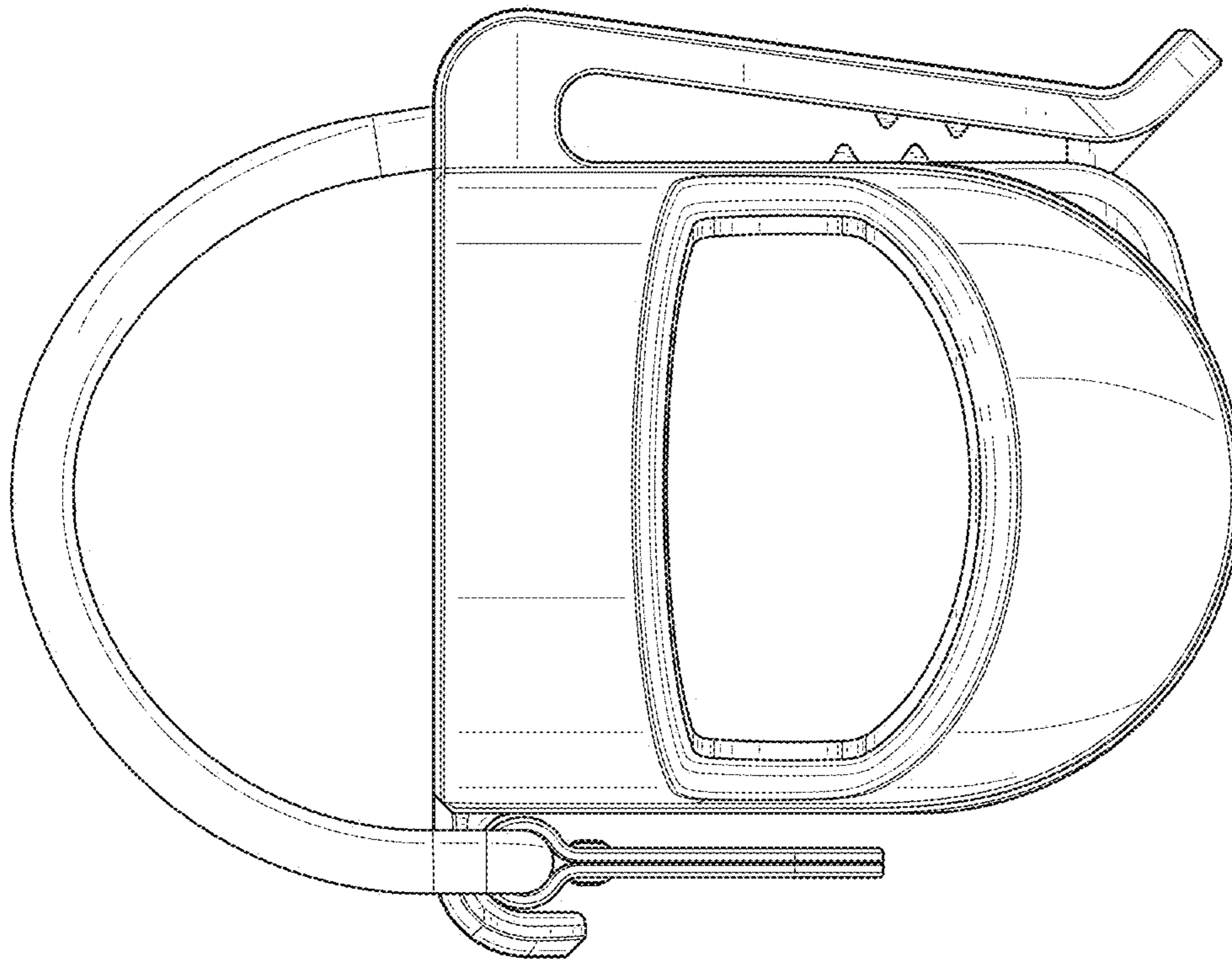


FIG. 26

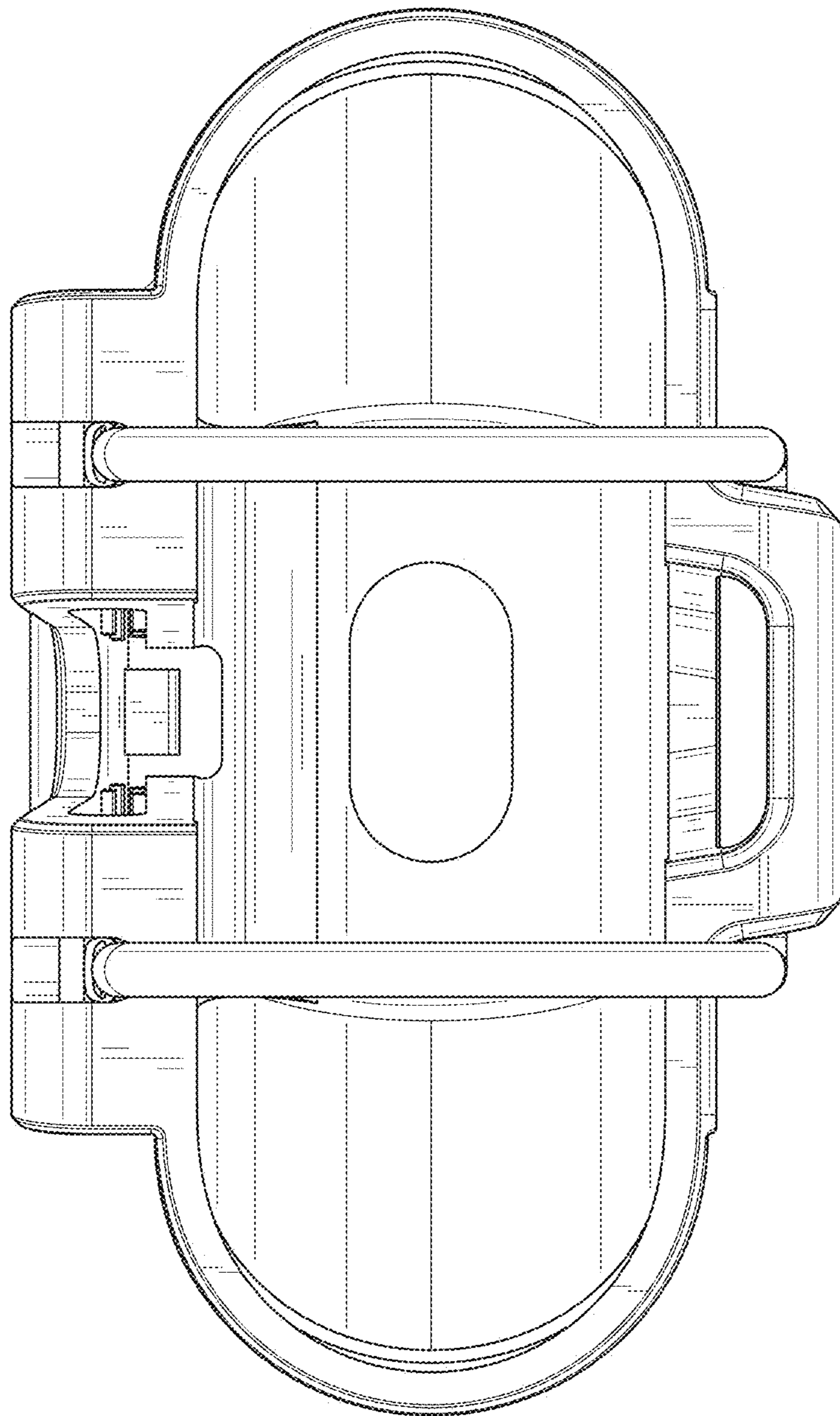


FIG. 27

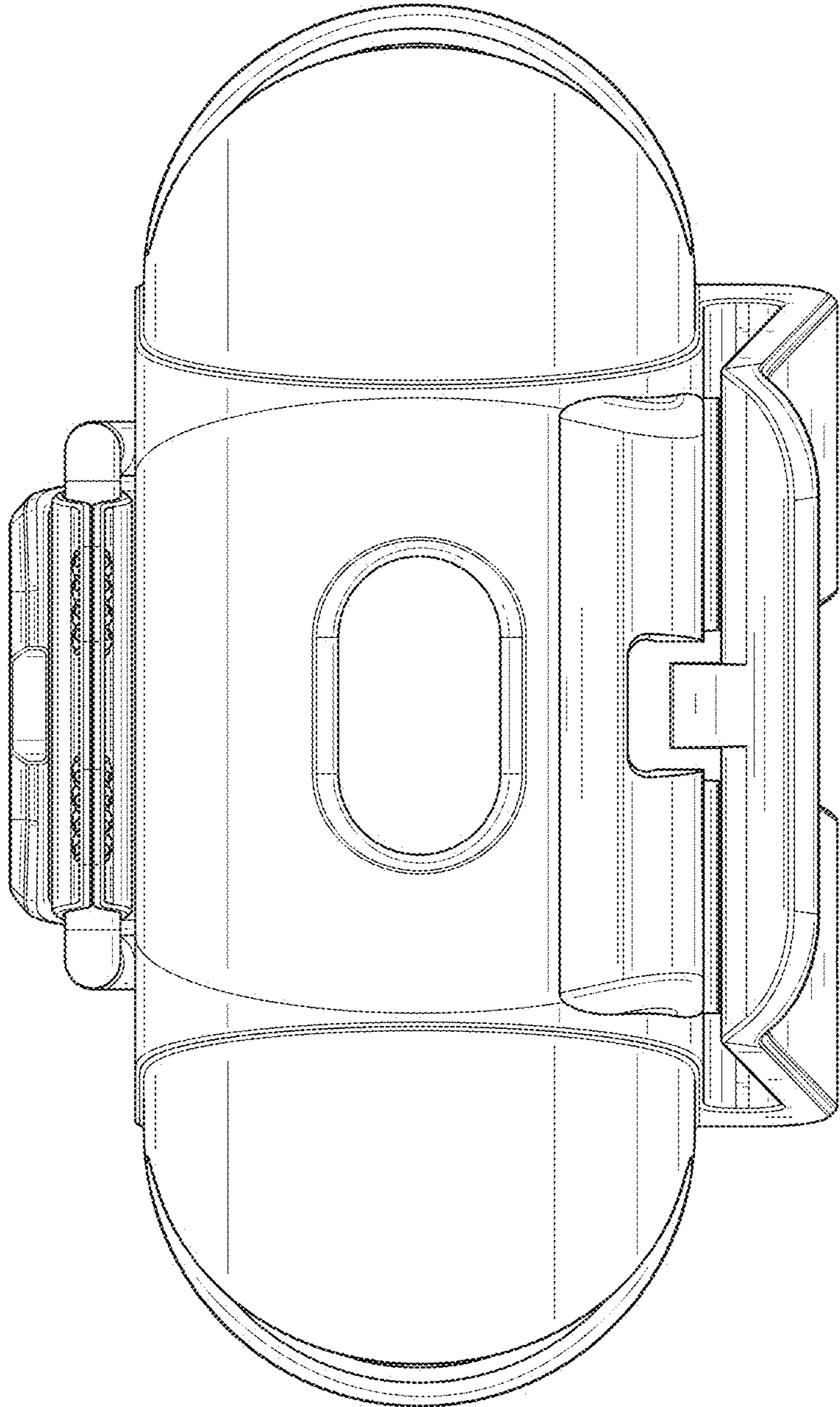


FIG. 28