



US00D969810S

(12) **United States Design Patent**  
**Cho et al.**

(10) **Patent No.:** **US D969,810 S**

(45) **Date of Patent:** **\*\* Nov. 15, 2022**

(54) **ELECTRONIC BOARD**

- (71) Applicant: **SAMSUNG ELECTRONICS CO., LTD.**, Suwon-si (KR)
- (72) Inventors: **Juwon Cho**, Suwon-si (KR); **Sungjin Ann**, Suwon-si (KR); **Youngsoo Hong**, Suwon-si (KR); **Wonchul Hwang**, Suwon-si (KR)
- (73) Assignee: **SAMSUNG ELECTRONICS CO., LTD.**, Gyeonggi-Do (KR)

(\*\*) Term: **15 Years**

(21) Appl. No.: **29/712,854**

(22) Filed: **Nov. 12, 2019**

(30) **Foreign Application Priority Data**

May 17, 2019 (KR) ..... 30-2019-0023356

(51) **LOC (13) Cl.** ..... **14-02**

(52) **U.S. Cl.**  
USPC ..... **D14/374**

(58) **Field of Classification Search**  
USPC ..... D14/126, 183, 138 R, 138 AA, 138 C, D14/138 G, 140.11, 203.1, 203.3, 203.7,  
(Continued)

(56) **References Cited**

**U.S. PATENT DOCUMENTS**

- D394,959 S \* 6/1998 Kwan ..... D6/300
  - D518,966 S \* 4/2006 Sakaguchi ..... D6/302
- (Continued)

**FOREIGN PATENT DOCUMENTS**

- CN 304806246 \* 9/2018
  - EM 004086312-0001 7/2017
- (Continued)

**OTHER PUBLICATIONS**

Whiteboard UB-5838C, Panasonic, clarybusinessmachines.com, author unlisted, published on Dec. 7, 2011 per wayback machine © Clary Business Machine, online, site visited Jun. 24, 2021. Available at URL: <https://www.clarybusinessmachines.com/panasonic-color-electronic-whiteboard-ub-5838c.html> (Year: 2011).\*

(Continued)

*Primary Examiner* — Holly E Thurman

*Assistant Examiner* — Altaira J Swangin

(74) *Attorney, Agent, or Firm* — Cantor Colburn LLP

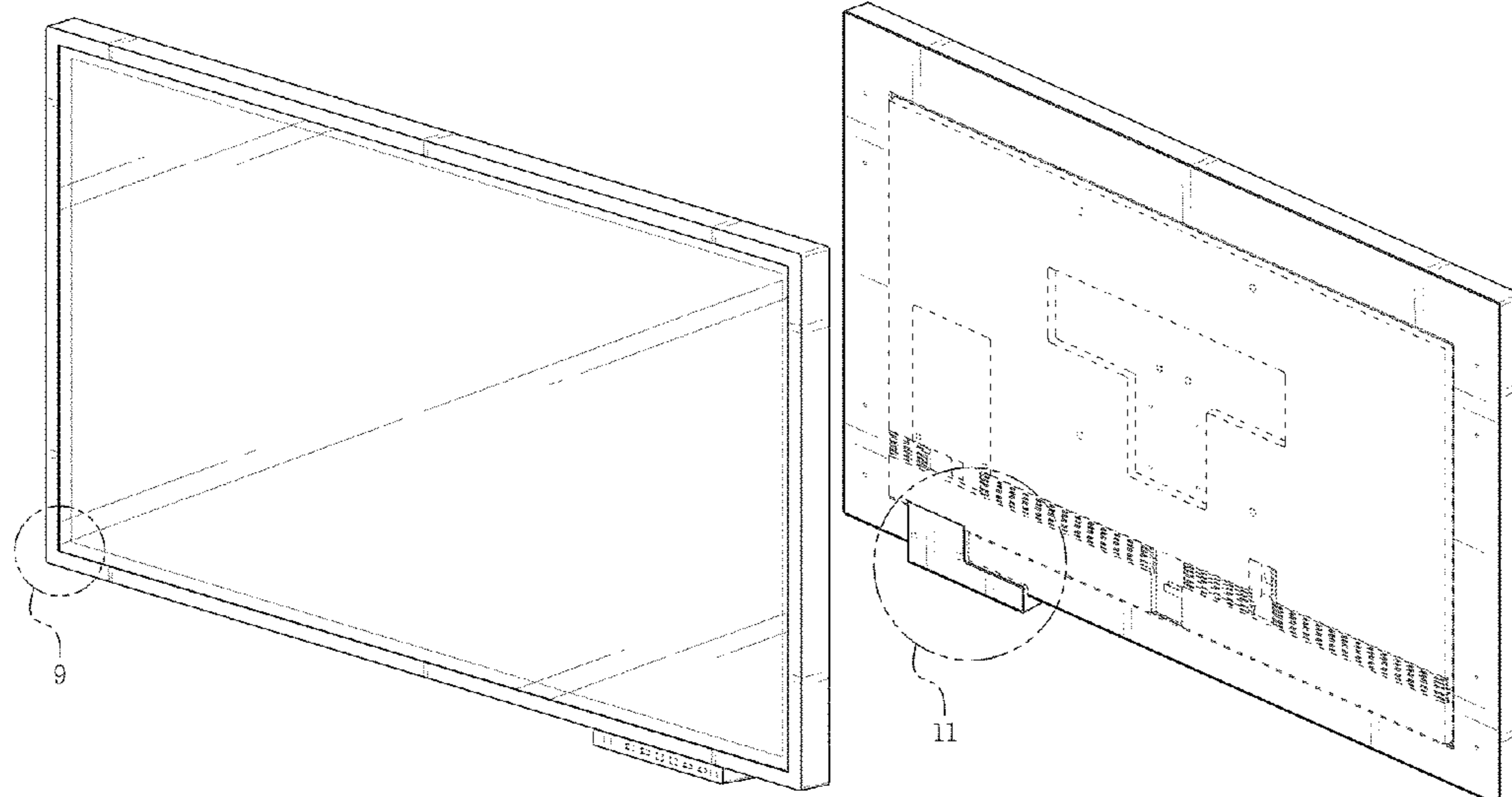
(57) **CLAIM**

The ornamental design for an electronic board, as shown and described.

**DESCRIPTION**

FIG. 1 is a front perspective view of an electronic board, showing our new design;  
 FIG. 2 is a front view thereof;  
 FIG. 3 is a rear view thereof;  
 FIG. 4 is a left-side view thereof;  
 FIG. 5 is a right-side view thereof;  
 FIG. 6 is a top view thereof;  
 FIG. 7 is a bottom view thereof;  
 FIG. 8 is a rear perspective view thereof;  
 FIG. 9 is an enlarged view of the portion, '9' in FIG. 1;  
 FIG. 10 is an enlarged view of the portion, '10' in FIG. 5;  
 FIG. 11 is an enlarged view of the portion, '11' in FIG. 8;  
 FIG. 12 is another front perspective thereof of the electronic board of FIGS. 1-11, shown in an alternate configuration in which the terminal tray is removed;  
 FIG. 13 is a rear perspective view of FIG. 12; and,  
 FIG. 14 is an enlarged view of the portion, '14' in FIG. 13.  
 The even dash broken lines represent portions of the electronic board and form no part of the claimed design. The dot-dot-dash broken lines, encircling enlarged portions of the design, represent the bounds of the detail views and form no part thereof.

**1 Claim, 12 Drawing Sheets**



(58) **Field of Classification Search**

USPC ..... D14/217, 250, 289, 305, 307, 335–336,  
 D14/340, 371, 424, 432, 448–450, 464,  
 D14/510, 372, 374–379, 451, 140, 471,  
 D14/483, 511; D20/10, 17–18, 27,  
 D20/38–39, 42, 44; D24/186; D19/113;  
 D6/300–302, 308, 310, 312–314  
 CPC ..... G09F 13/00; G09F 19/22; G09F 15/0006  
 See application file for complete search history.

(56) **References Cited**

U.S. PATENT DOCUMENTS

D642,385 S \* 8/2011 Lee ..... D6/308  
 D680,087 S \* 4/2013 Fujii ..... D14/126  
 D692,403 S \* 10/2013 Takami ..... D14/126  
 D693,343 S \* 11/2013 Haller ..... D14/374  
 D695,700 S \* 12/2013 Seong ..... D14/126  
 D709,045 S \* 7/2014 Itou ..... D14/126  
 D709,844 S \* 7/2014 Kim ..... D14/126  
 D718,731 S \* 12/2014 Lee ..... D14/126  
 D725,060 S \* 3/2015 Lam ..... D14/126  
 D725,615 S \* 3/2015 Go ..... D14/126  
 D732,492 S \* 6/2015 Lee ..... D14/126  
 D753,080 S \* 4/2016 Dai ..... D14/126  
 D766,898 S \* 9/2016 Lim ..... D14/374  
 D766,899 S \* 9/2016 Kim ..... D14/374  
 D769,837 S \* 10/2016 Kim ..... D14/126  
 D782,473 S \* 3/2017 Hong ..... D14/341  
 D794,630 S \* 8/2017 Pendse ..... D14/341  
 D797,464 S \* 9/2017 Vitale ..... D6/300  
 D804,194 S \* 12/2017 Thams ..... D6/300  
 D805,047 S \* 12/2017 Dry ..... D14/126  
 D805,488 S \* 12/2017 Dry ..... D14/126  
 D805,489 S \* 12/2017 Dry ..... D14/126  
 D805,491 S \* 12/2017 Lim ..... D14/126

D807,842 S \* 1/2018 Sugita ..... D14/126  
 D824,353 S \* 7/2018 Won ..... D14/126  
 D837,205 S \* 1/2019 Hu ..... D14/341  
 D852,272 S \* 6/2019 Lim ..... D19/113  
 D861,177 S \* 9/2019 Kim ..... D24/186  
 D864,296 S \* 10/2019 Park ..... D19/113  
 D888,579 S \* 6/2020 Huang ..... D10/3  
 D889,457 S \* 7/2020 Li ..... D14/341  
 D891,124 S \* 7/2020 Zhou ..... D6/310  
 D894,139 S \* 8/2020 Bell ..... D14/126  
 D915,415 S \* 4/2021 Lee ..... D14/450  
 D917,182 S \* 4/2021 Katz ..... D6/300  
 D922,972 S \* 6/2021 Park ..... D14/126  
 D922,973 S \* 6/2021 Park ..... D14/126  
 2020/0278768 A1 \* 9/2020 Kim ..... G06F 3/0416  
 2021/0068284 A1 \* 3/2021 Ju ..... H04M 1/0249

FOREIGN PATENT DOCUMENTS

JP D1539805 S 11/2015  
 KR 300922829 S 3/2018  
 KR 300947373.0000 \* 3/2018  
 KR 300961130.0000 \* 6/2018  
 KR 300961130 S 6/2018  
 KR 300917684 S 12/2018  
 KR 300976953.0000 \* 4/2019  
 KR 300976955.0000 \* 4/2019

OTHER PUBLICATIONS

64" 4K UHD Digital Flip Chart, Samsung, samsung.com, author and date unlisted © 1995-2021 Samsung Electronics America, online, site visited Jun. 24, 2021. Available at URL: <https://www.samsung.com/us/business/displays/interactive/wm-series/flip-2-65-lh65wmrwbgcxza/> (Year: 2021).\*

\* cited by examiner

FIG. 1

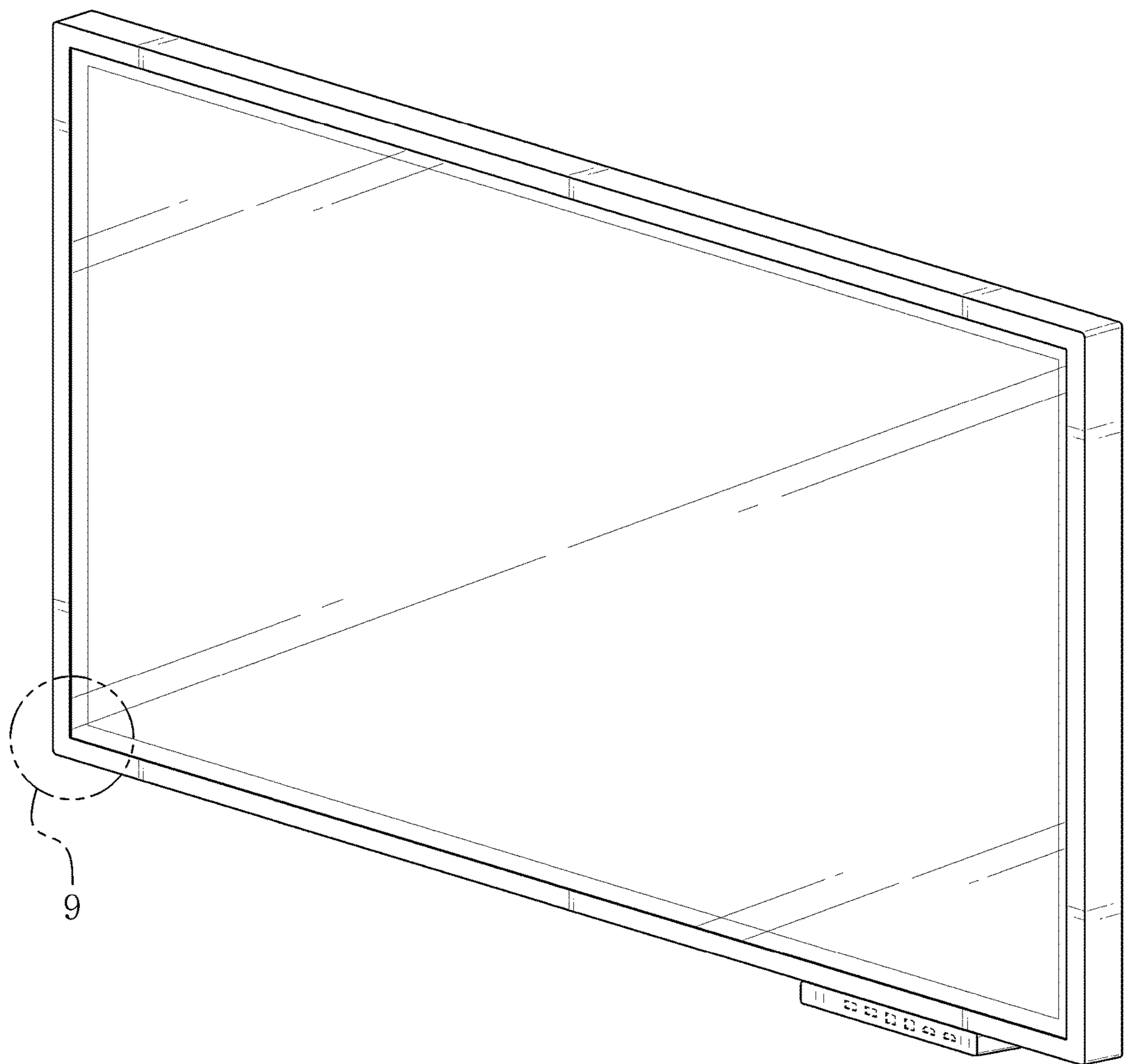


FIG. 2

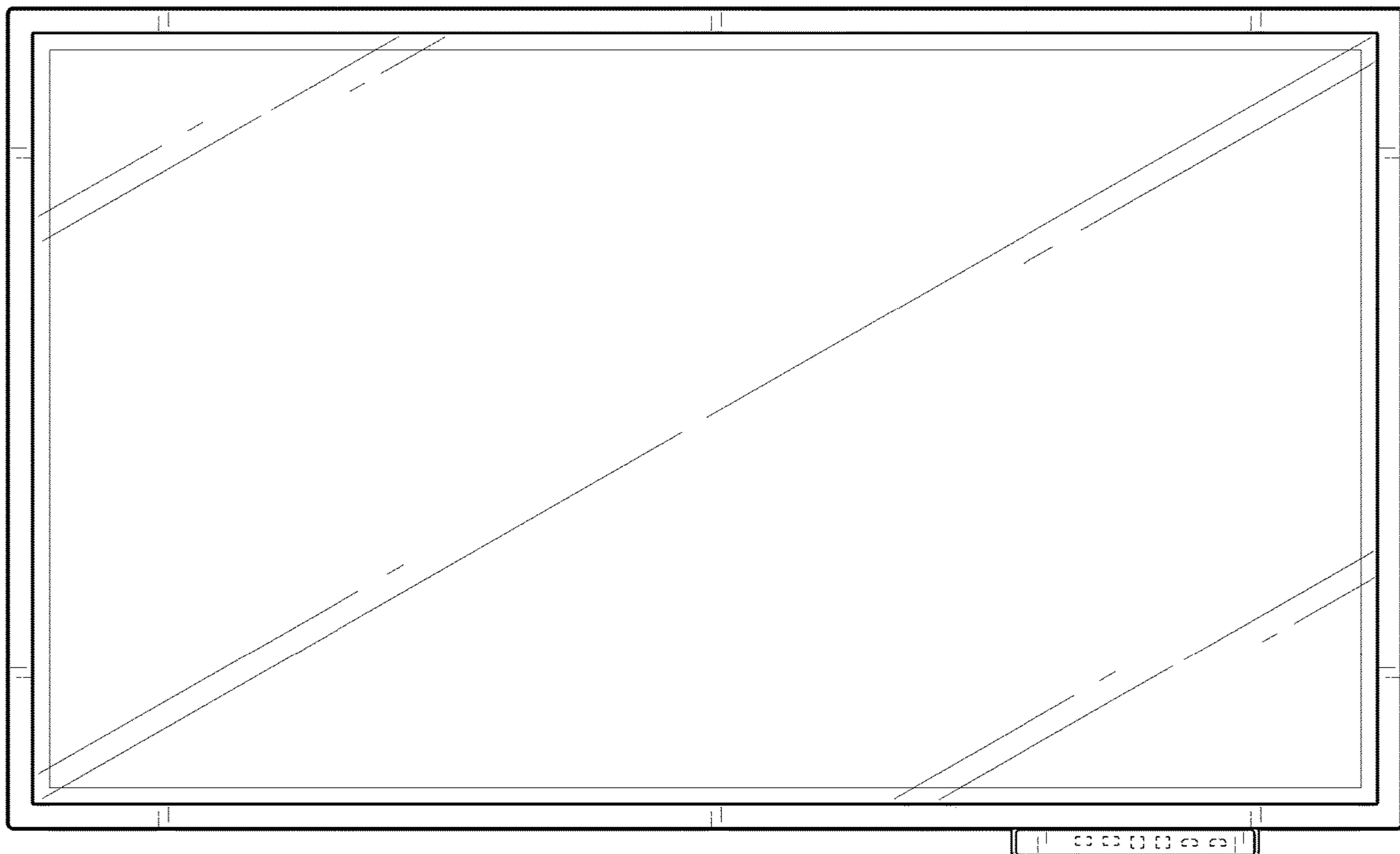


FIG. 3

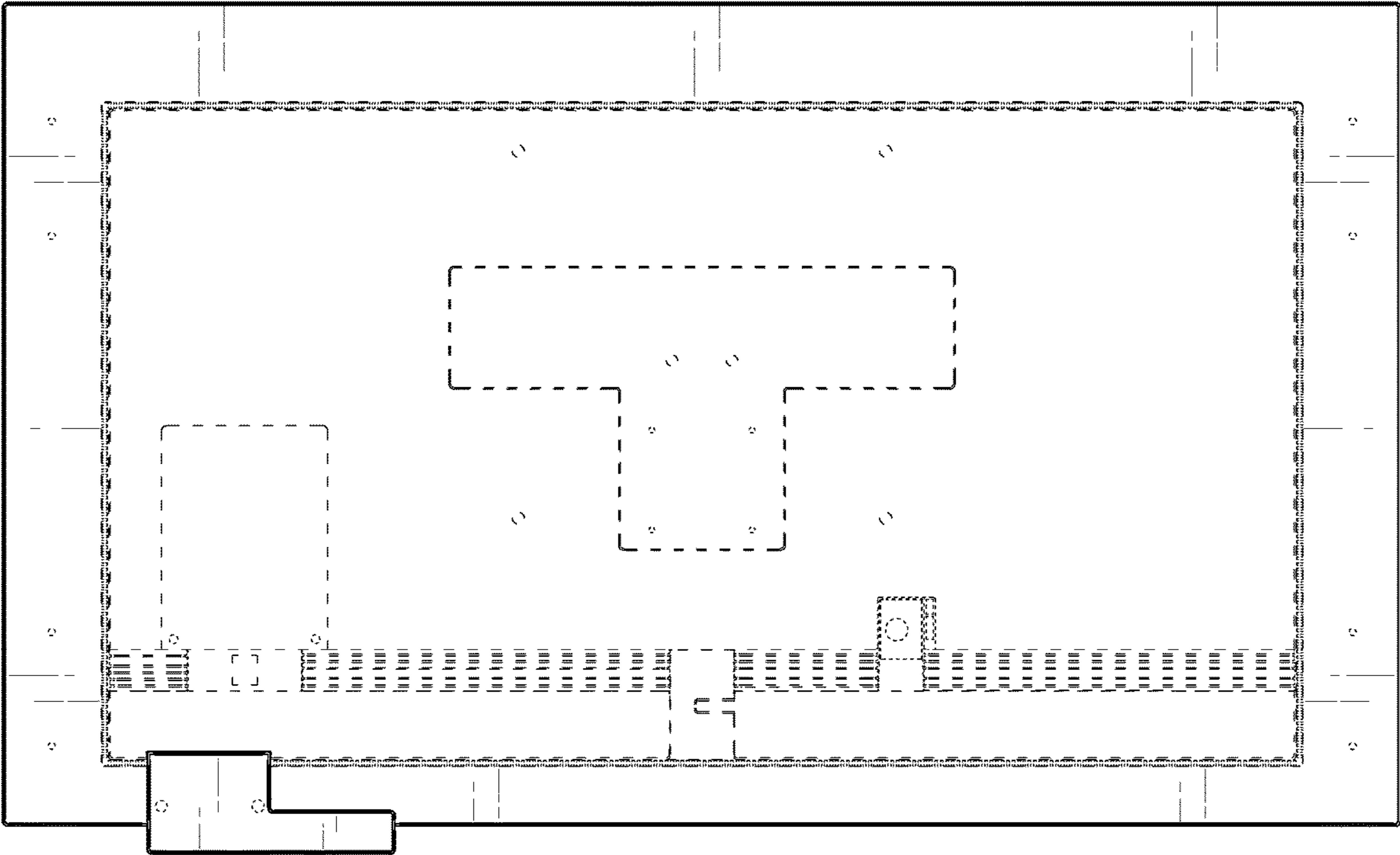


FIG. 4

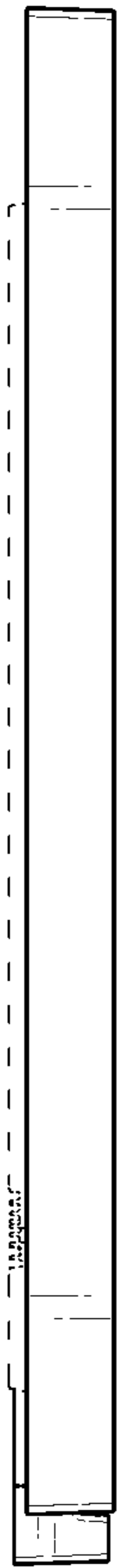


FIG. 5

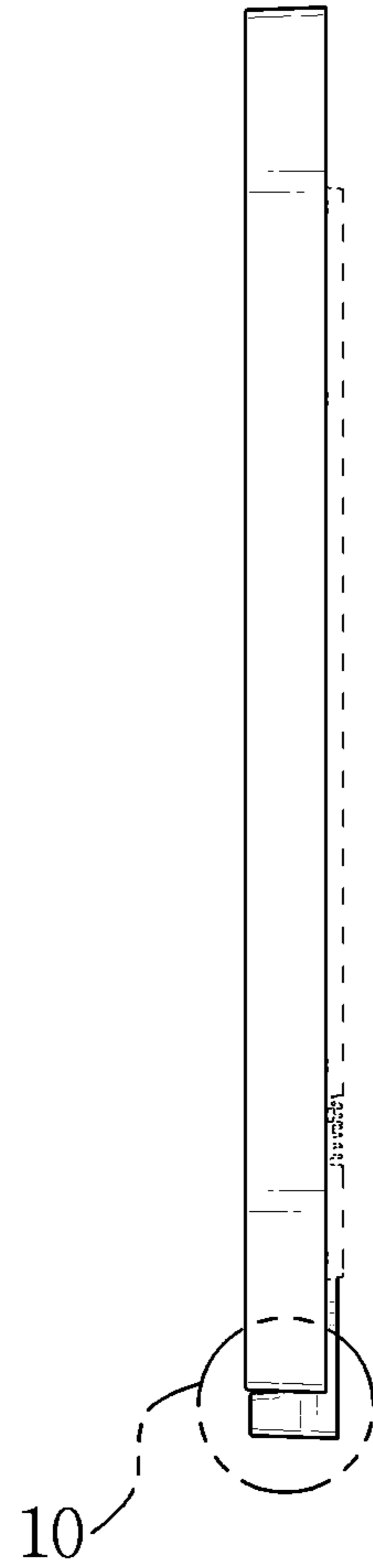


FIG. 6

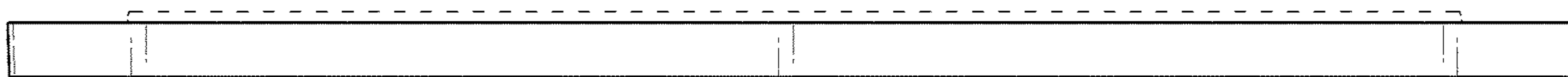


FIG. 7



FIG. 8

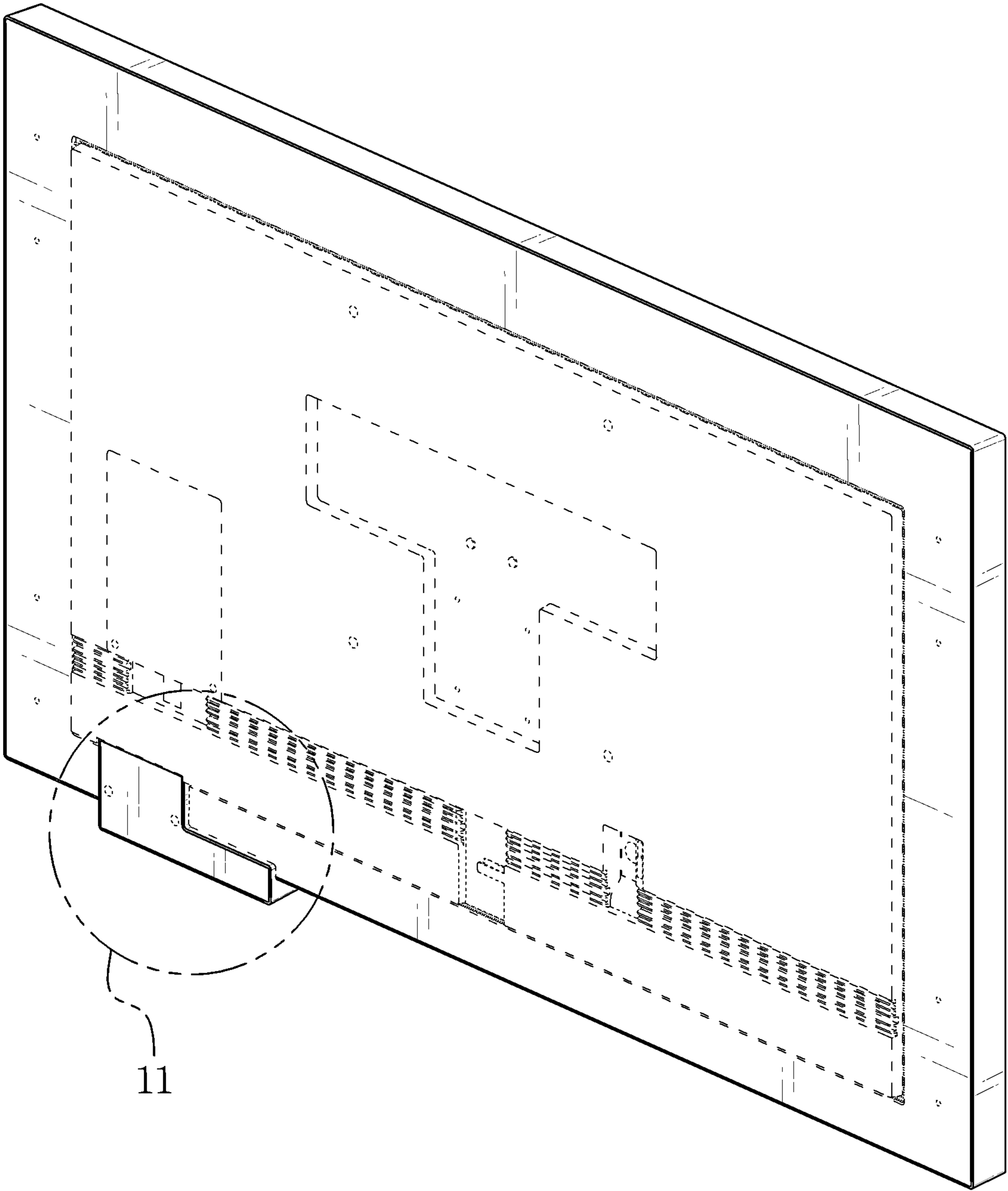




FIG. 9

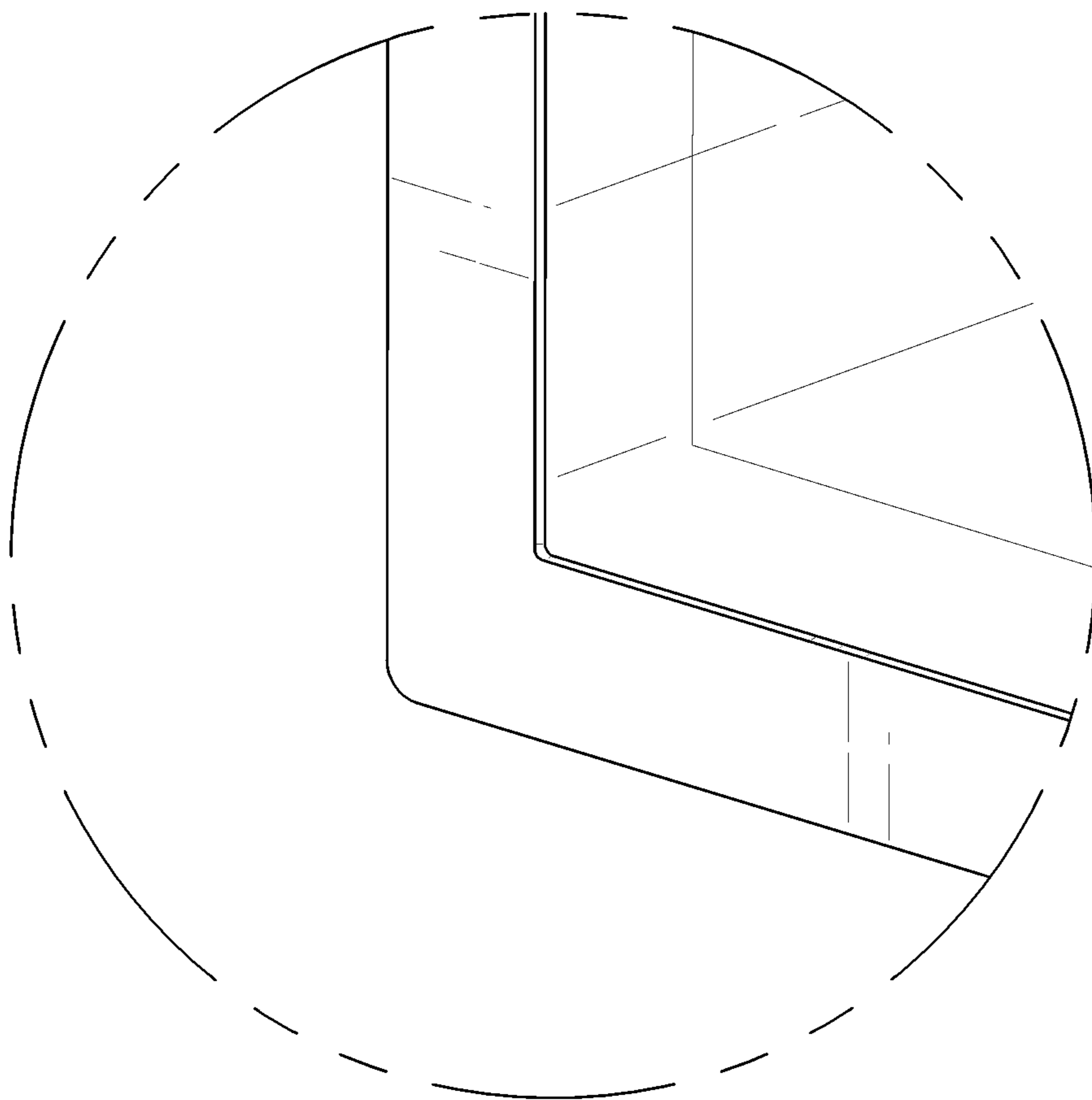


FIG. 10

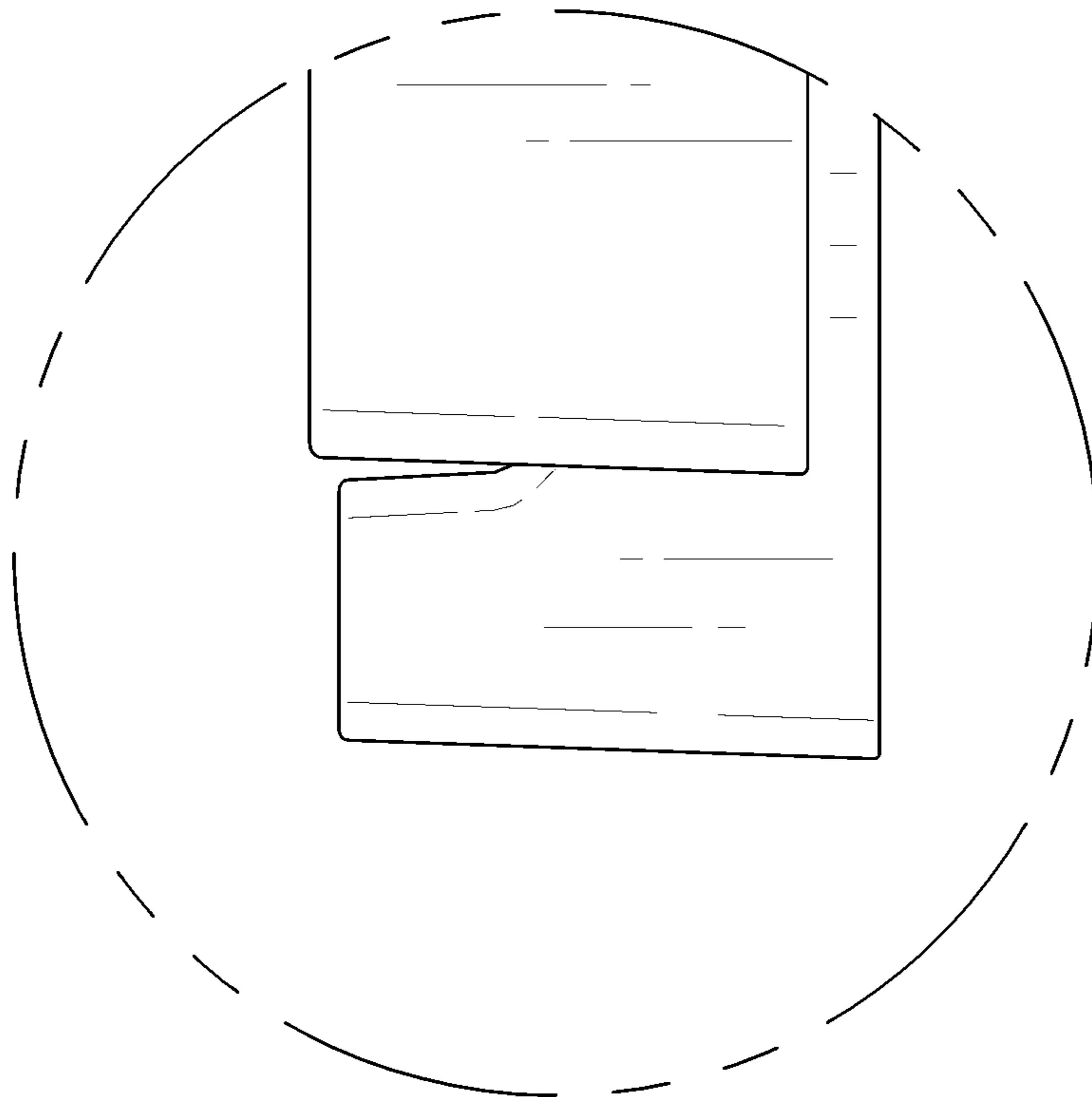


FIG. 11

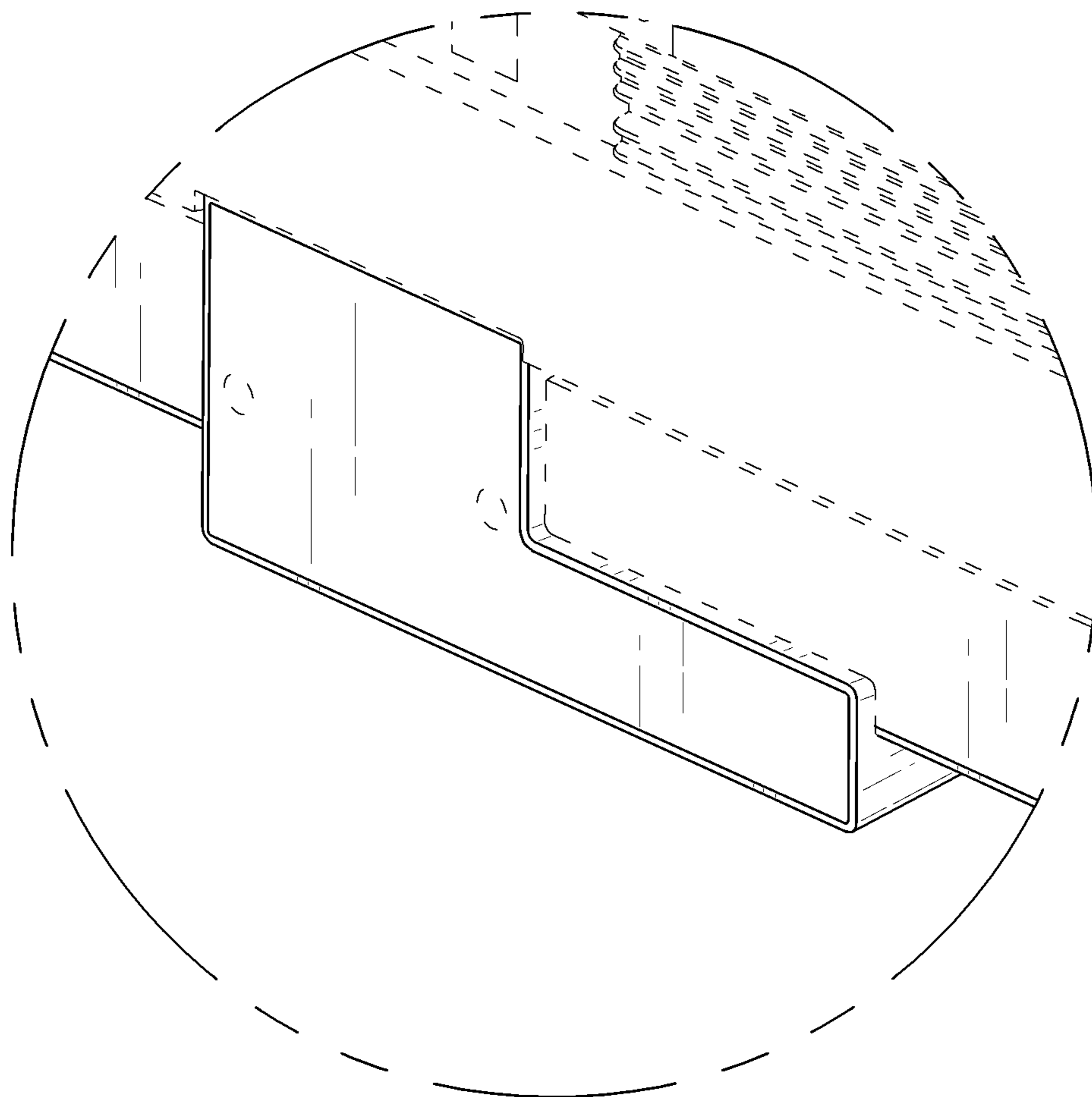


FIG. 12

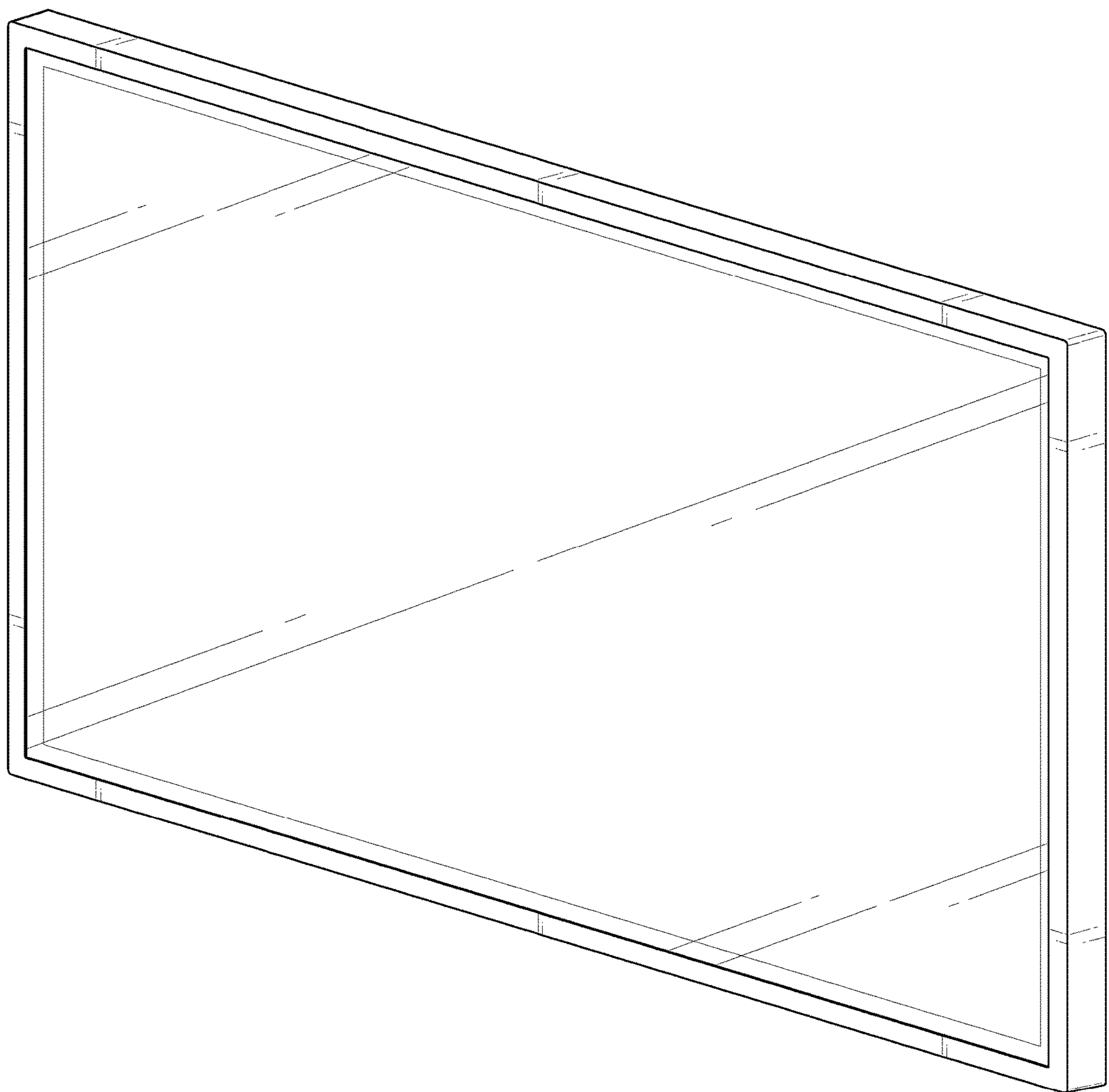


FIG. 13

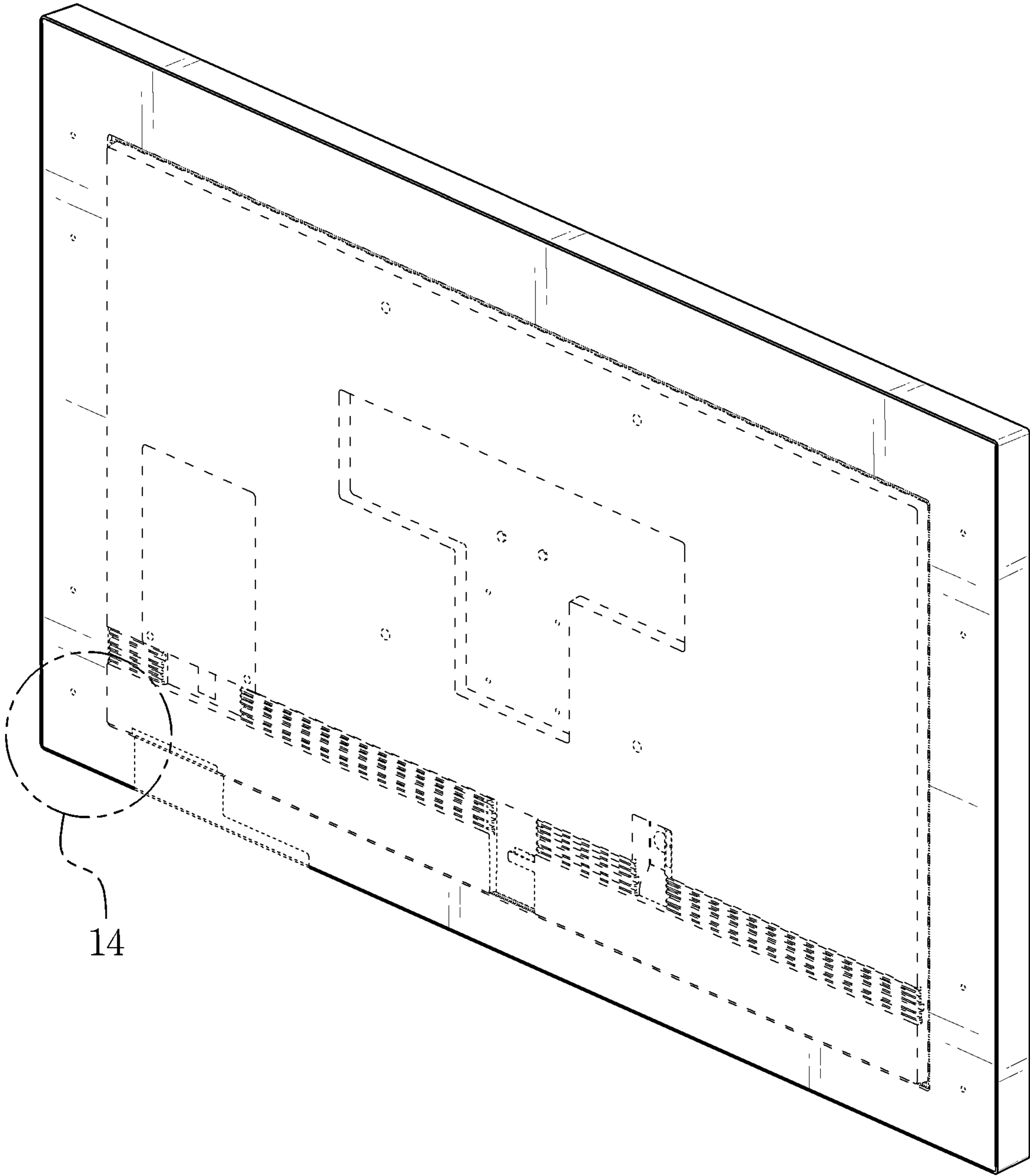


FIG. 14

