



US00D969809S

(12) **United States Design Patent**
Wei et al.

(10) **Patent No.:** **US D969,809 S**
(45) **Date of Patent:** **** Nov. 15, 2022**

(54) **DISPLAY DEVICE**

(71) Applicant: **HTC Corporation**, Taoyuan (TW)

(72) Inventors: **Chang-Hua Wei**, Taoyuan (TW);
Pei-Pin Huang, Taoyuan (TW)

(73) Assignee: **HTC CORPORATION**, Taoyuan (TW)

(**) Term: **15 Years**

(21) Appl. No.: **29/832,048**

(22) Filed: **Mar. 24, 2022**

Related U.S. Application Data

(62) Division of application No. 29/757,230, filed on Nov. 4, 2020, now Pat. No. Des. 951,250.

(51) **LOC (13) Cl.** **14-02**

(52) **U.S. Cl.**
USPC **D14/372**

(58) **Field of Classification Search**
USPC D14/372, 496, 432, 371, 126, 129, 129,
D14/299; D16/300-342; 351/158, 153,
351/144; 345/7-9, 905; 455/344;
348/115, 53, 121, 739
CPC G02B 27/017; G02B 27/0158; G02B
27/0161; G02B 27/0181; G02B 27/0185;
G02B 27/0189

See application file for complete search history.

(56) **References Cited**

U.S. PATENT DOCUMENTS

D761,258 S *	7/2016	Zellweger	D14/372
D763,256 S *	8/2016	Zellweger	D14/372
D810,742 S *	2/2018	Robertson	D14/372
D822,661 S *	7/2018	Robertson	D14/372
D834,018 S *	11/2018	Wei	D14/372
D839,871 S *	2/2019	Wei	D14/372
D839,872 S *	2/2019	Wei	D14/372

D856,330 S *	8/2019	Wei	D14/372
D875,094 S	2/2020	Miller et al.		
10,571,073 B1 *	2/2020	Lin	H05K 5/0017
10,663,737 B1	5/2020	MaGrath et al.		
D890,171 S	7/2020	Wei et al.		
D890,173 S	7/2020	Wei et al.		
D892,792 S	8/2020	Miller et al.		
D893,478 S	8/2020	Watanabe et al.		
D894,897 S	9/2020	Wei et al.		
D896,222 S *	9/2020	Amijo	D14/372

(Continued)

FOREIGN PATENT DOCUMENTS

CN	305337097 S	9/2019
TW	D188026 S	1/2018

(Continued)

Primary Examiner — Austin Murphy

(74) *Attorney, Agent, or Firm* — Birch, Stewart, Kolasch & Birch, LLP

(57) **CLAIM**

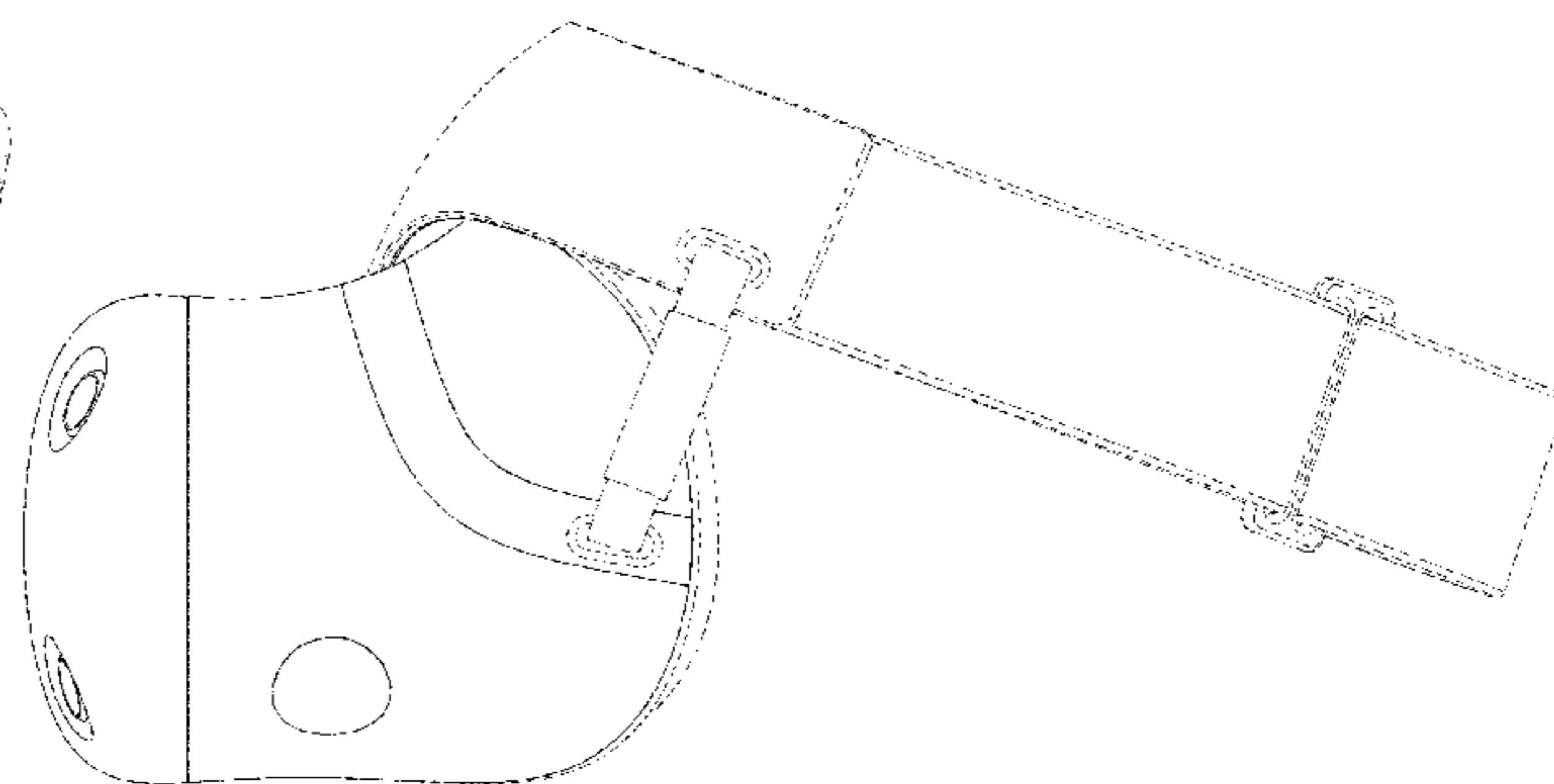
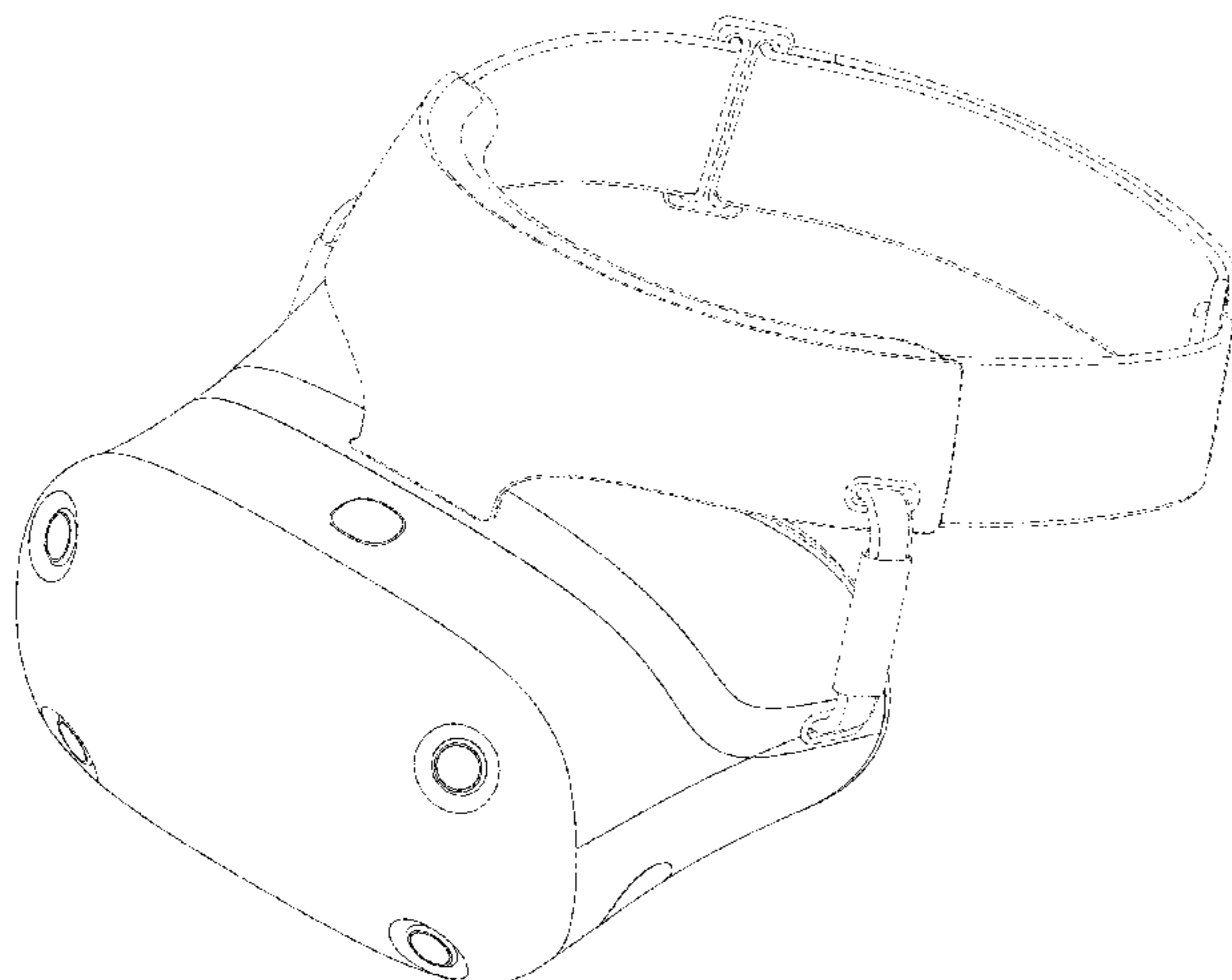
The ornamental design for a display device, as shown and described.

DESCRIPTION

FIG. 1 is a top perspective view of a display device in accordance with our new design;
FIG. 2 is a front view thereof;
FIG. 3 is a rear view thereof;
FIG. 4 is a left view thereof;
FIG. 5 is a right view thereof;
FIG. 6 is a top plan view thereof; and,
FIG. 7 is a bottom plan view thereof.

The broken lines immediately adjacent the claimed areas represent the bounds of the claimed design while all other broken lines are directed to environment and are for illustrative purposes only. The broken lines form no part of the claimed design.

1 Claim, 7 Drawing Sheets



(56)

References Cited

U.S. PATENT DOCUMENTS

D896,223 S * 9/2020 Amijo D14/372
D900,095 S 10/2020 Wang et al.
D900,099 S 10/2020 Park
D905,056 S * 12/2020 Amijo D14/372
D910,013 S * 2/2021 Amijo D14/372
D910,014 S * 2/2021 Amijo D14/372
D910,015 S 2/2021 Amijo et al.
D910,016 S * 2/2021 Amijo D14/372
D910,017 S * 2/2021 Amijo D14/372
D910,018 S * 2/2021 Amijo D14/372
10,905,186 B2 * 2/2021 Chang A42B 3/14
D914,020 S 3/2021 Wei et al.
D917,474 S * 4/2021 Chiang D14/372
D925,528 S 7/2021 Bristol et al.
D929,401 S * 8/2021 Chiang D14/372
D938,421 S 12/2021 Bhat et al.

FOREIGN PATENT DOCUMENTS

TW D201359 S 12/2019
TW D205548 S 7/2020

* cited by examiner

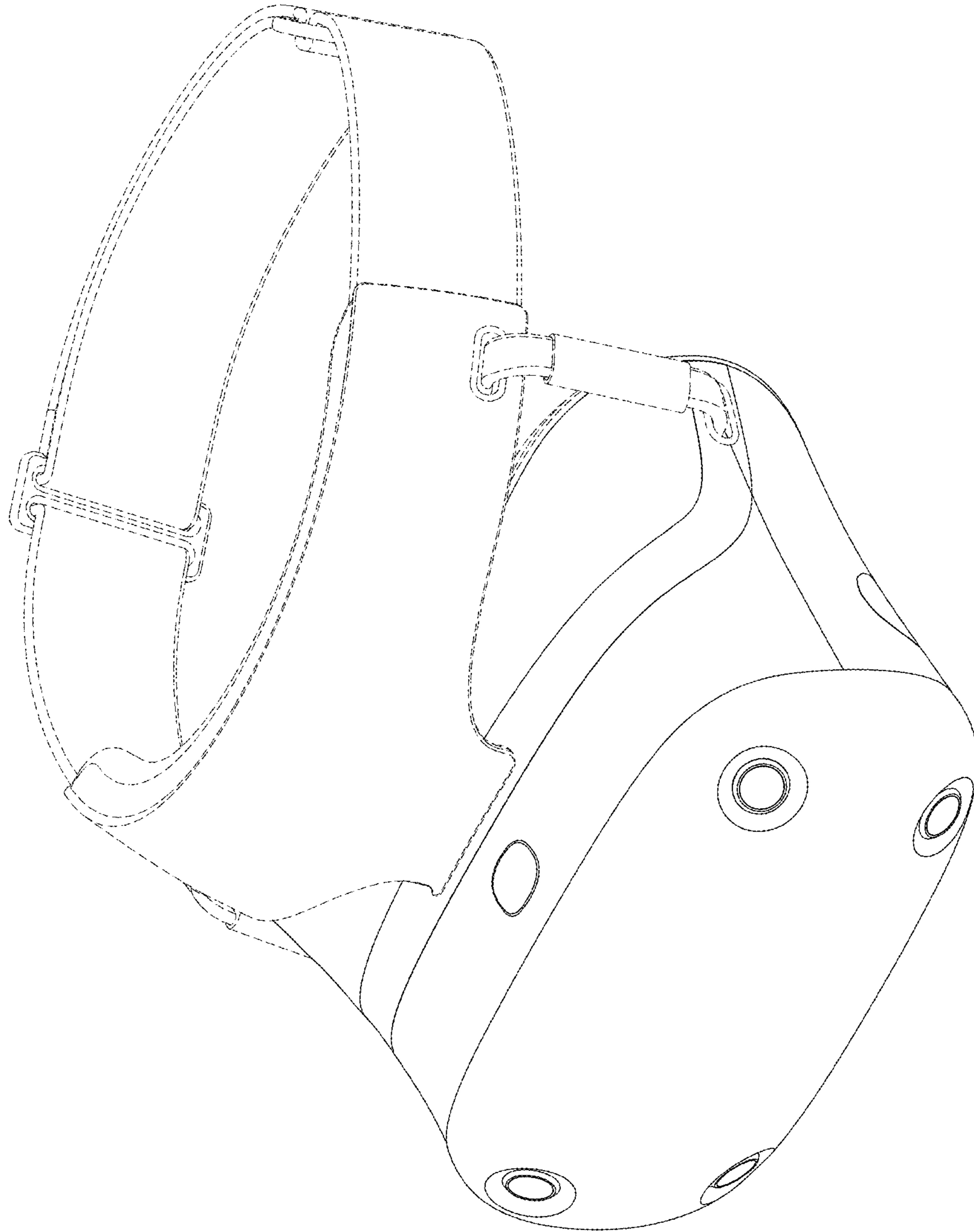


FIG. 1

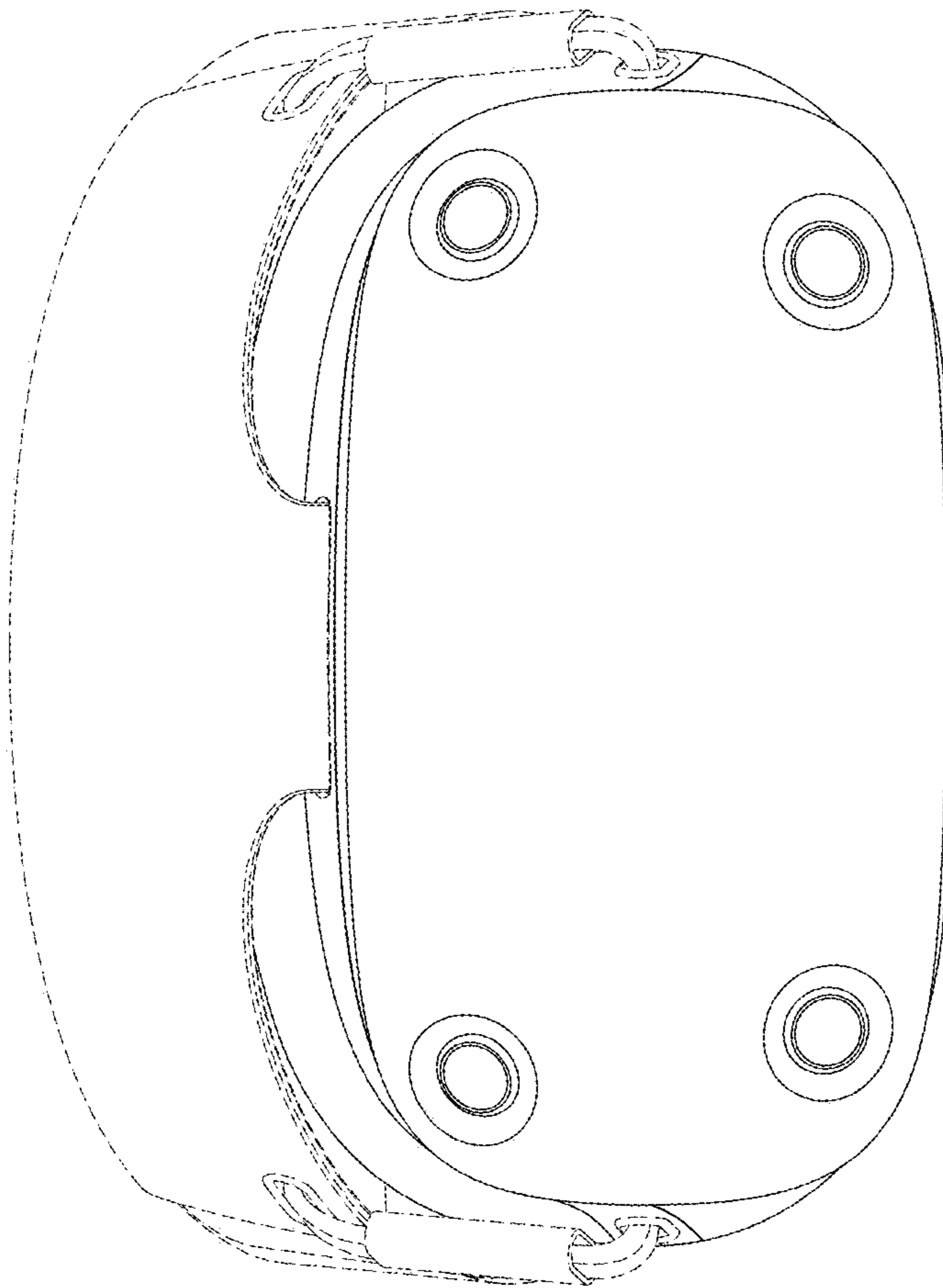


FIG. 2

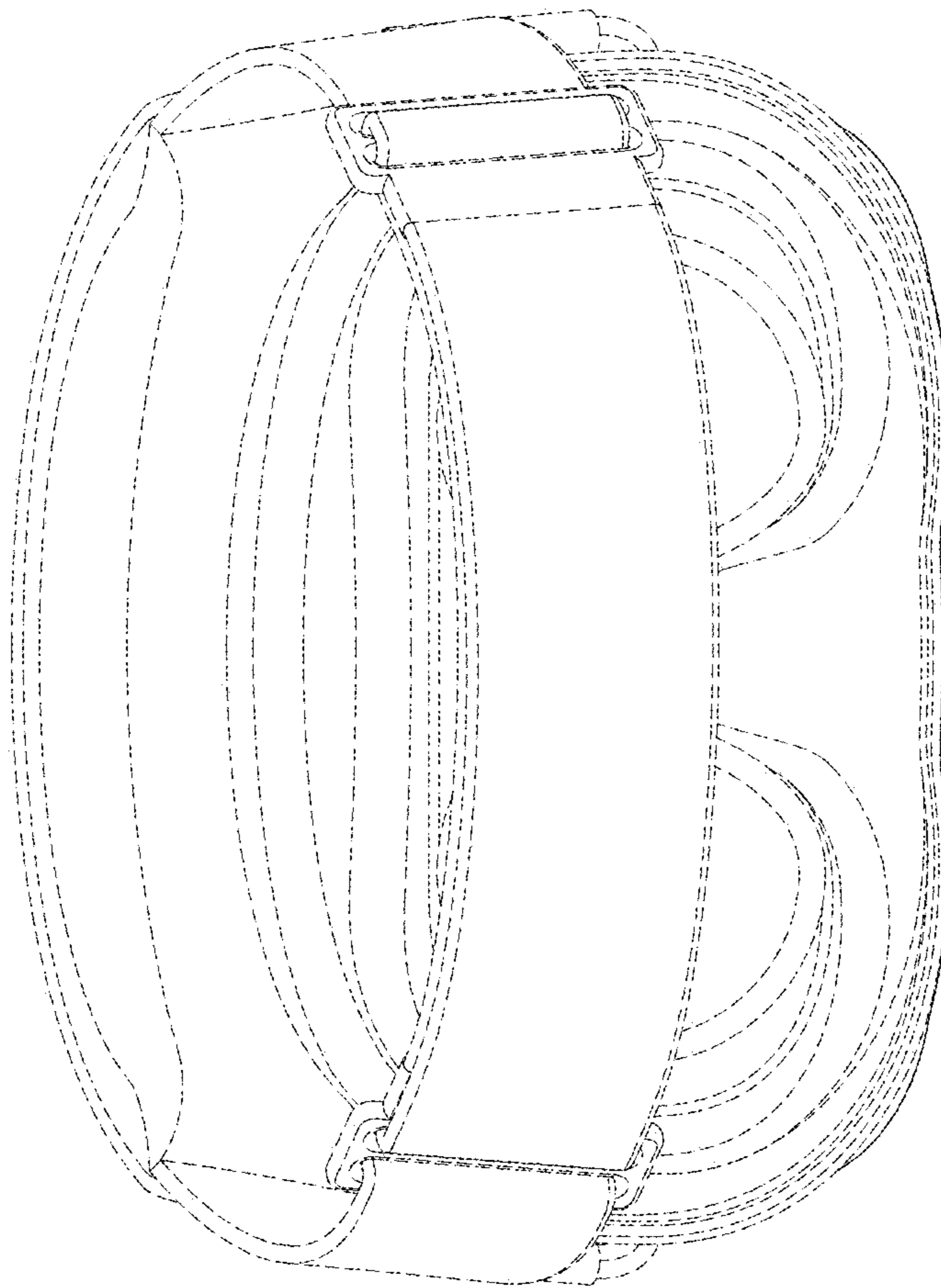


FIG. 3

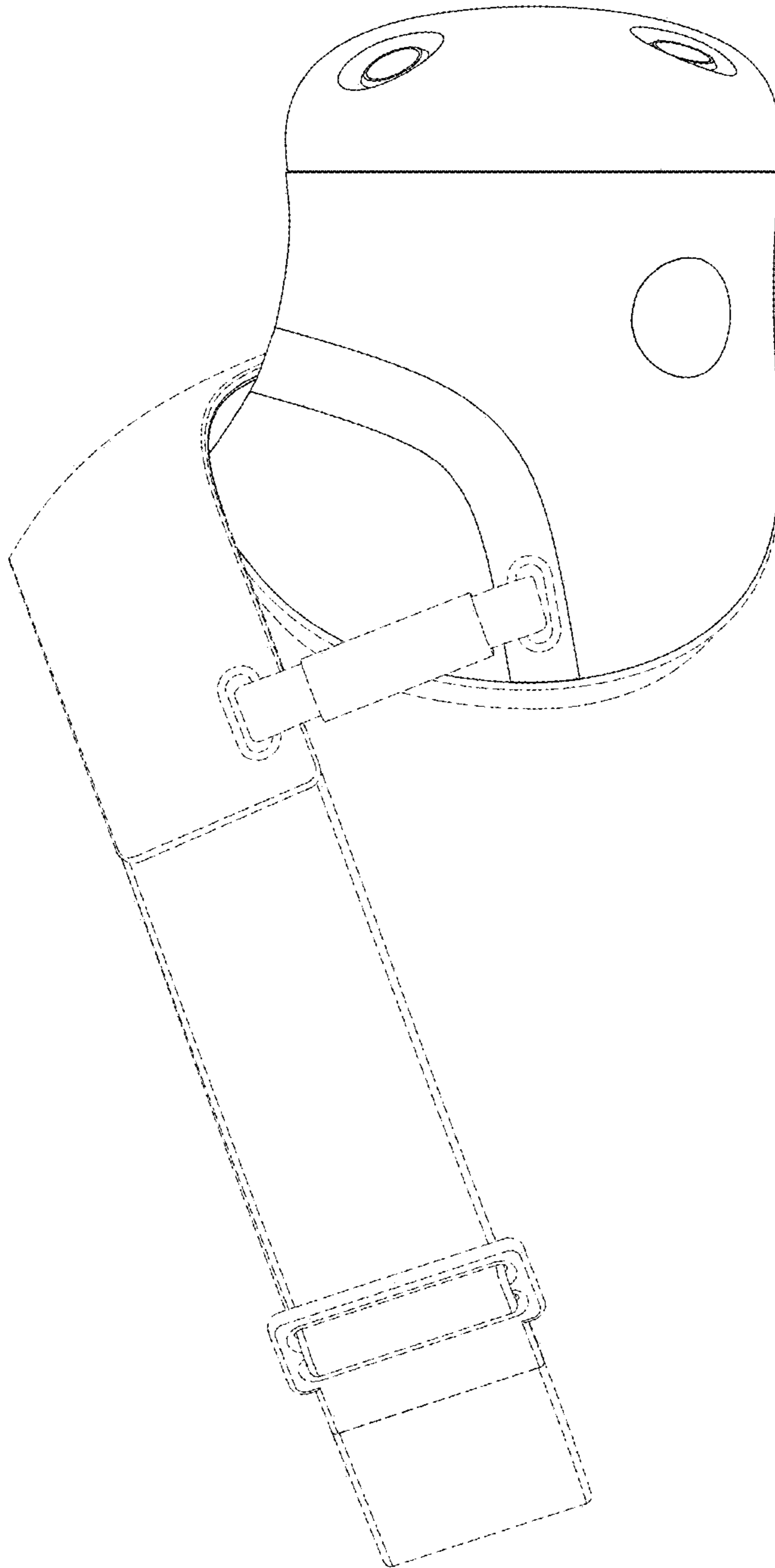


FIG. 4

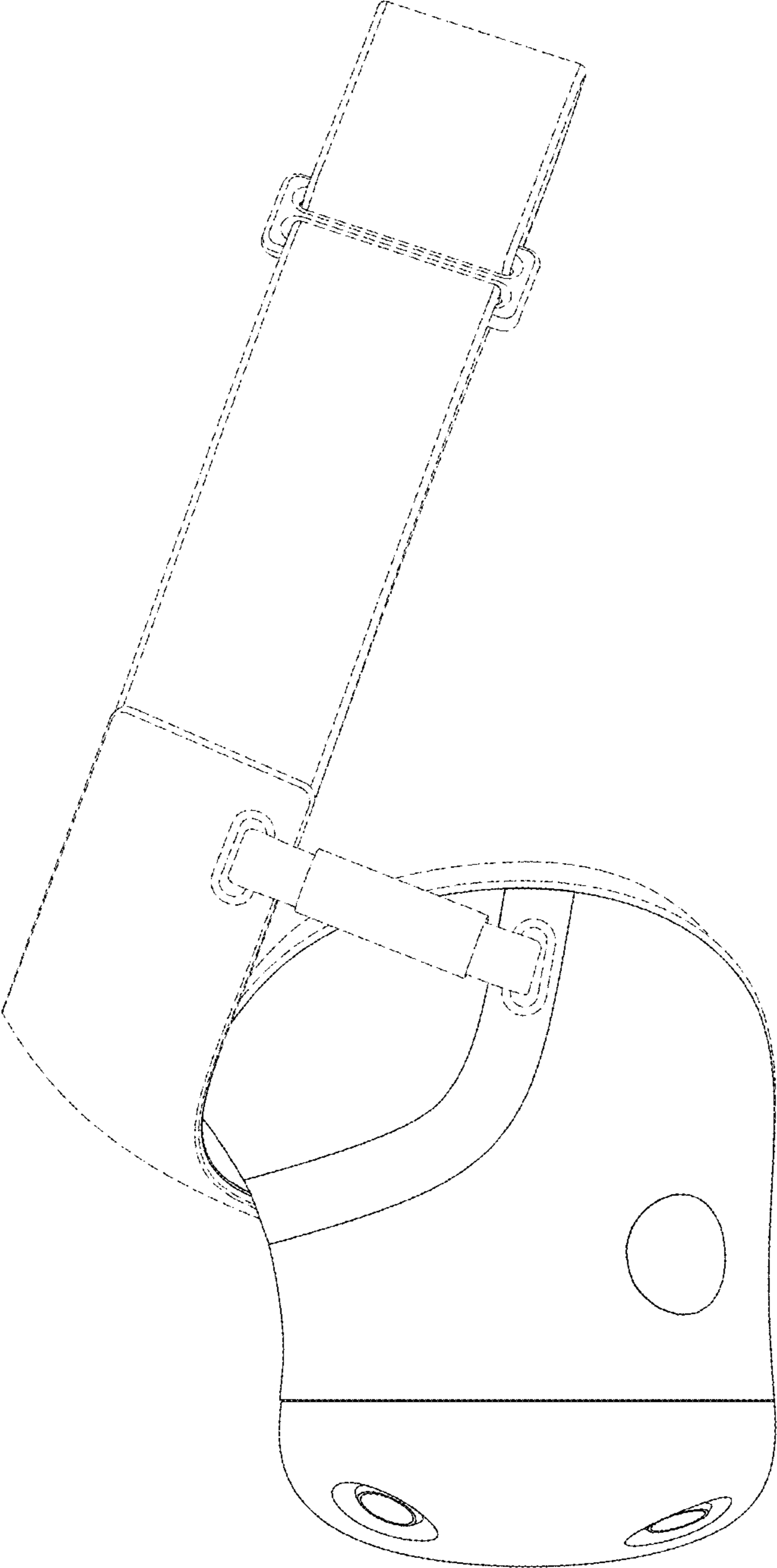


FIG. 5

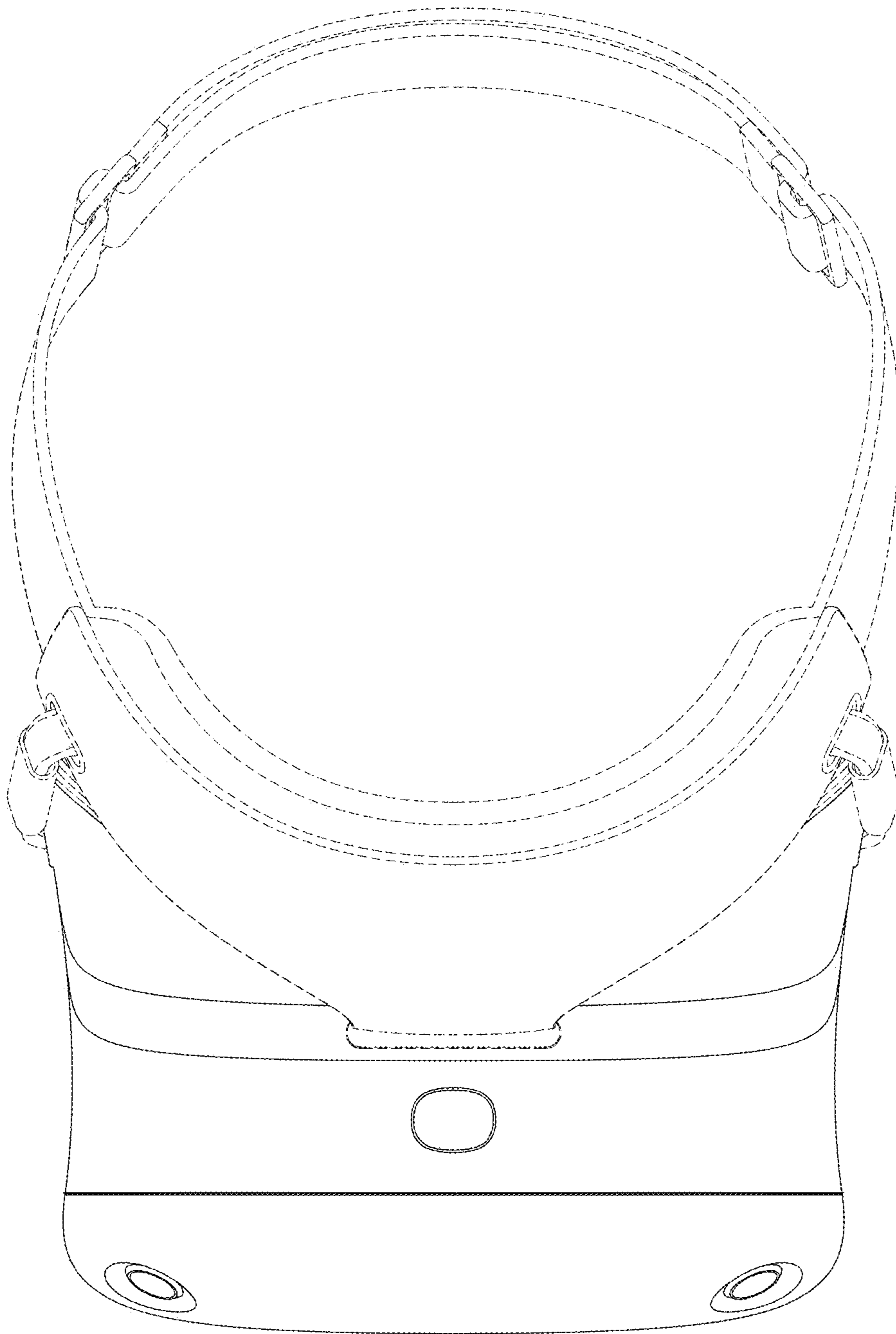


FIG. 6



FIG. 7