



US00D969807S

(12) **United States Design Patent** (10) **Patent No.:** **US D969,807 S**  
**Liu et al.** (45) **Date of Patent:** **\*\* Nov. 15, 2022**

(54) **MONITOR**  
(71) Applicant: **Top Victory Investments Limited**,  
Kowloon (HK)  
(72) Inventors: **Bin Liu**, Fujian Province (CN); **Doc Ho**, New Taipei (TW); **Roger Tsai**,  
New Taipei (TW)  
(73) Assignee: **Top Victory Investments Limited**,  
Kowloon (HK)

D717,754 S \* 11/2014 Kim ..... D14/126  
D723,173 S \* 2/2015 Kim ..... D14/371  
D726,717 S \* 4/2015 Lee ..... D14/371  
D782,230 S \* 3/2017 Wong ..... D6/696.1  
D786,262 S \* 5/2017 Kim ..... D14/451  
D826,229 S \* 8/2018 Teo ..... D14/374  
D831,647 S \* 10/2018 Woo ..... D14/374  
D834,015 S \* 11/2018 Case ..... D14/371

(Continued)

(\*\*) Term: **15 Years**

**FOREIGN PATENT DOCUMENTS**

KR 301177522.0000 \* 8/2022  
WO D221729-004 \* 7/2022  
WO D221729-005 \* 7/2022

(21) Appl. No.: **29/769,335**

**OTHER PUBLICATIONS**

(22) Filed: **Feb. 4, 2021**

Samsung, "Odyssey G7 LS28AG700NNXZA . . ." available at  
microsoft.com, oldest date available Oct. 6, 2021, site visited Sep.  
7, 2021, available at URL: <https://bit.ly/3BjkOvm> (Year: 2021).\*

(51) **LOC (13) Cl.** ..... **14-02**

(52) **U.S. Cl.**  
USPC ..... **D14/371**; D14/126; D14/374; D14/376

(Continued)

(58) **Field of Classification Search**

USPC ..... D14/371, 388, 307, 314, 334-337, 339,  
D14/340, 373-382, 448, 450, 125, 126,  
D14/127, 132, 133, 217; D6/300-301,  
D6/308; D21/324, 329; D24/386

*Primary Examiner* — Daniel J Domino  
*Assistant Examiner* — Samina Vieth

CPC ..... G06F 1/16; G06F 1/1601; G06F 1/1603;  
G06F 1/1605; G06F 1/1607; G06F  
1/1611; G06F 1/1616; G06F 1/1618;  
G06F 1/1622; G06F 1/1626; G06F  
1/1641; G06F 1/1643; G06F 1/1647;  
G06F 1/1649; G06F 1/1654; G06F  
1/1656; G06F 1/181; G06F 1/1684; G06F  
1/1686; G06F 1/1692; H05K 5/02; H05K  
5/03; H05K 5/0217; H05K 5/0239; H05K  
5/0243; H05K 5/0286; H04N 5/64

(57) **CLAIM**

The ornamental design for a monitor, as shown and  
described.

See application file for complete search history.

**DESCRIPTION**

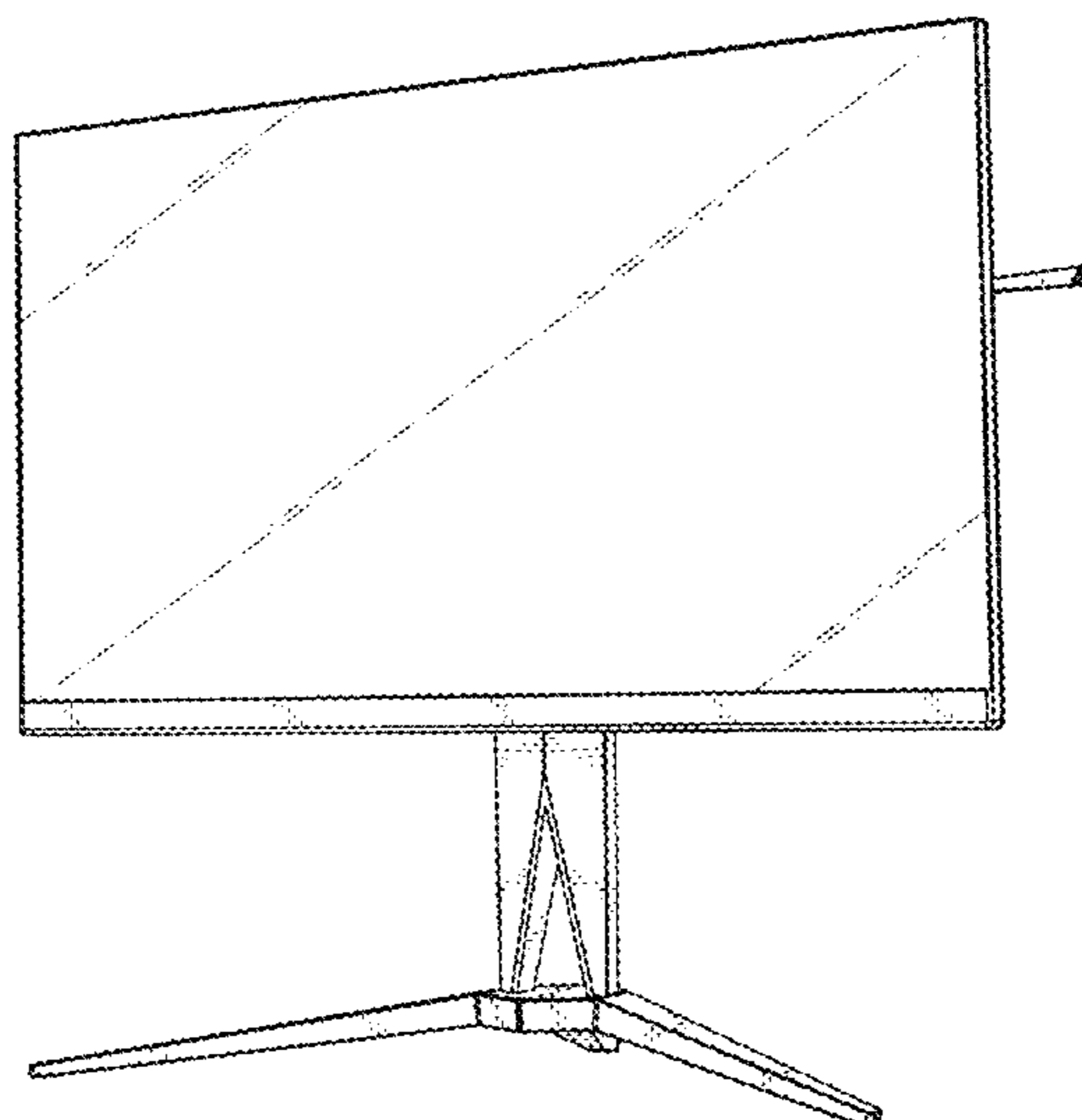
FIG. 1 is a perspective view of a monitor showing our new  
design;  
FIG. 2 is a front elevational view thereof;  
FIG. 3 is a rear elevational view thereof;  
FIG. 4 is a left side elevational view thereof;  
FIG. 5 is a right side elevational view thereof;  
FIG. 6 is a top plan view thereof;  
FIG. 7 is a bottom plan view thereof;  
FIG. 8 is another perspective view thereof; and,  
FIG. 9 is yet another perspective view thereof.

(56) **References Cited**

**U.S. PATENT DOCUMENTS**

D398,915 S \* 9/1998 Shaffer ..... D14/450  
D441,224 S \* 5/2001 Scheper ..... D6/692.3  
D634,323 S \* 3/2011 Park ..... D14/374

**1 Claim, 9 Drawing Sheets**



(56)

**References Cited**

## U.S. PATENT DOCUMENTS

D867,371 S \* 11/2019 Chen ..... D14/451  
D876,444 S \* 2/2020 Ann ..... D14/451  
D903,615 S \* 12/2020 Goh ..... D14/126  
D924,859 S \* 7/2021 Kim ..... D14/239  
D943,578 S \* 2/2022 Kang ..... D14/375  
2012/0081351 A1\* 4/2012 Yokota ..... G02F 1/133608  
361/679.01  
2014/0340827 A1\* 11/2014 Truong ..... G06F 1/16  
248/122.1  
2016/0084428 A1\* 3/2016 Cayer ..... F16M 11/045  
361/679.21

## OTHER PUBLICATIONS

Arstechnica, "The 7 most exciting PC Monitors from CES 2022" available at arstechnica.com, date published Jan. 8, 2022, site visited Sep. 7, 2022, available at URL: <https://arstechnica.com/gadgets/2022/01/the-7-most-exciting-pc-monitors-from-ces-2022/> (Year: 2022).\*

Z-Edge, "U27P4K27-Inch 4K Monitor 3840×2160 IPS LED . . .", available at walmart.com, oldest date available Nov. 5, 2021, site visited Sep. 7, 2022, available at URL: <https://bit.ly/3BmaAu8> (Year: 2021).\*

Gawfolk, "Curved 27 inch Gaming Monitor . . .", available at amazon.com, date first available Aug. 27, 2022, site visited Sep. 7, 2022, available at URL: <https://a.co/d/hlddNap> (Year: 2022).\*

Crua, "24" Monitor, IPS FHD . . ." available at amazon.com, date first available Jun. 9, 2022, site visited Sep. 7, 2022, available at URL: <https://a.co/d/dS7017x> (Year: 2022).\*

\* cited by examiner

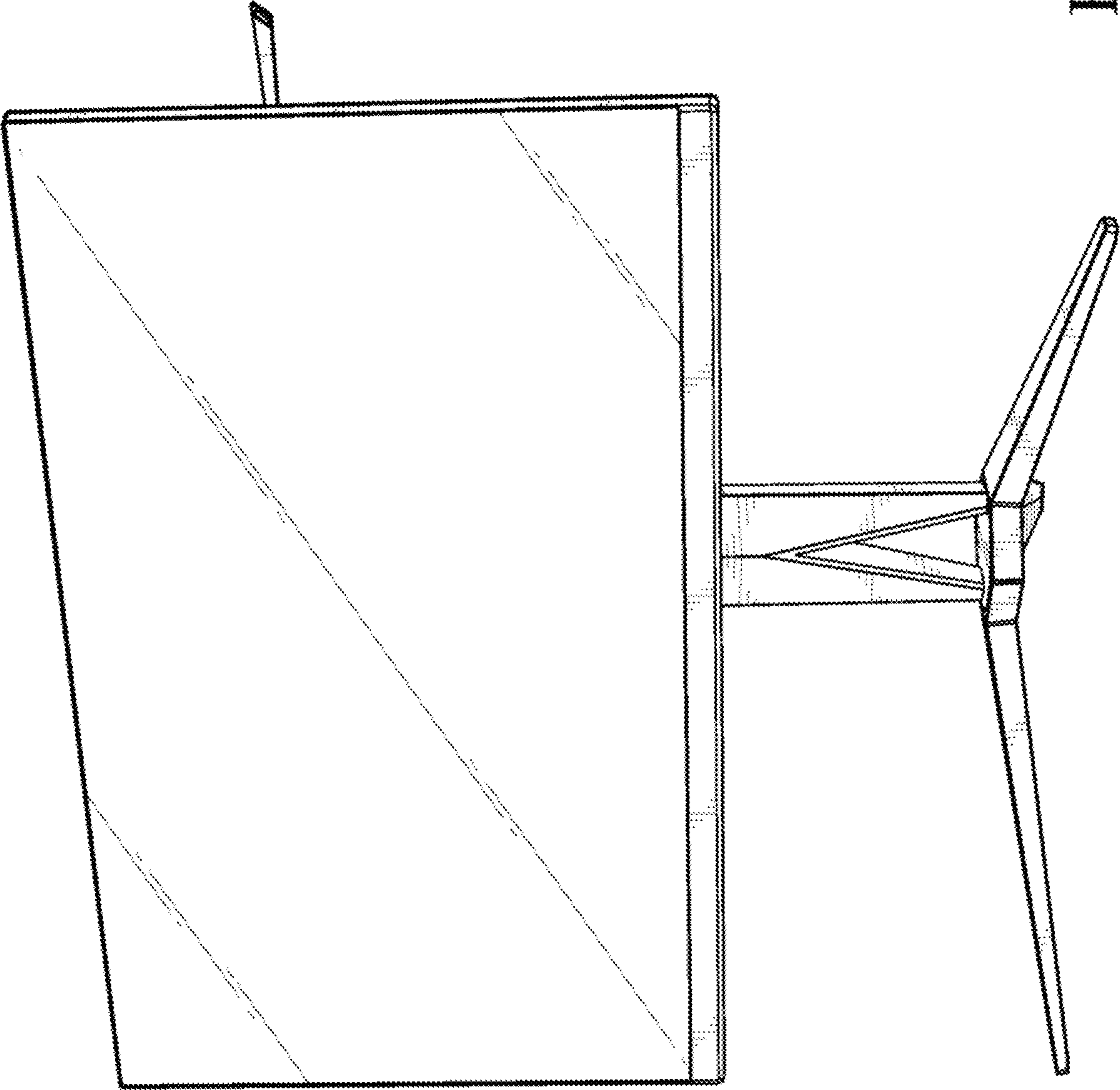


FIG.1

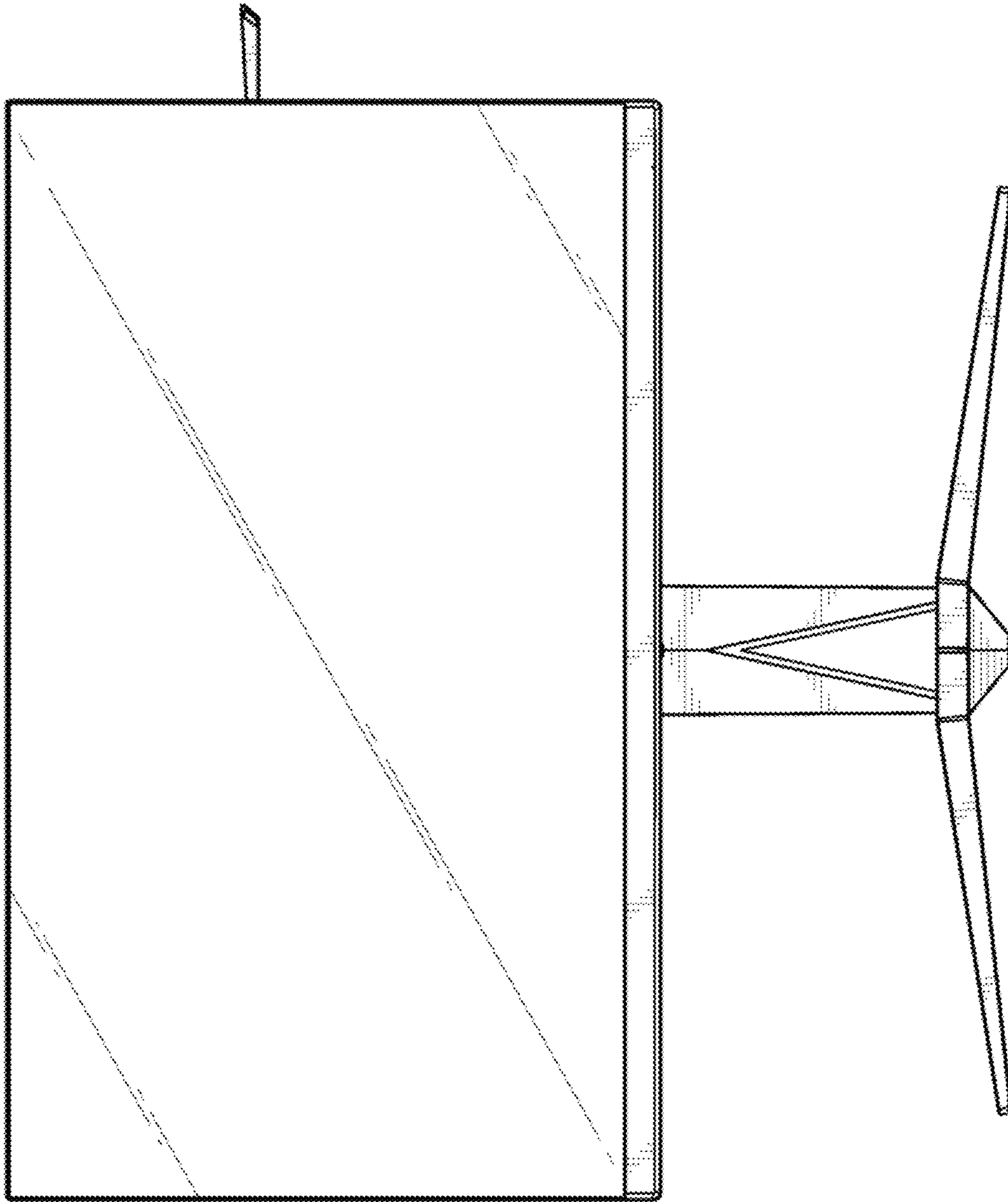


FIG.2



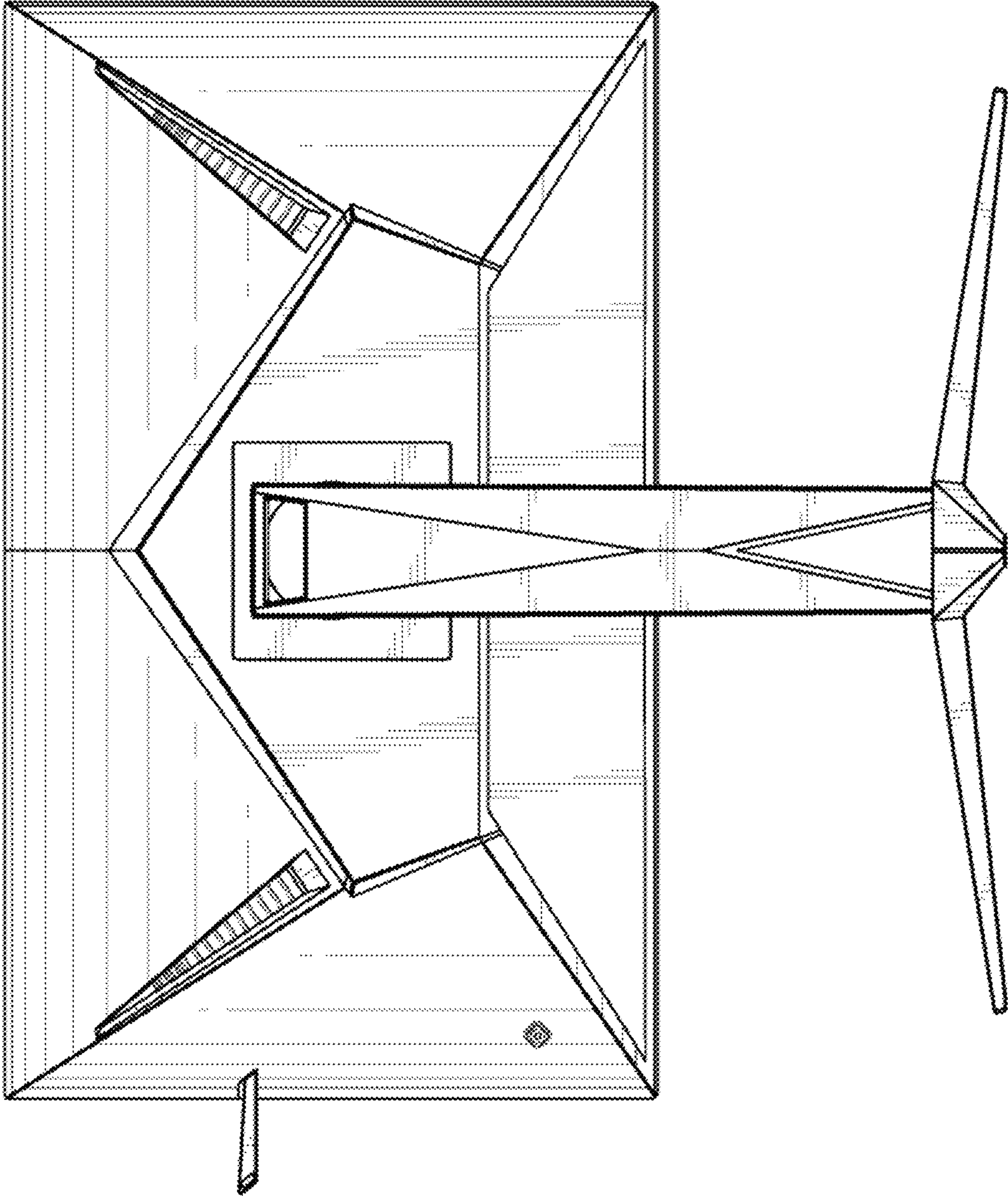


FIG. 3

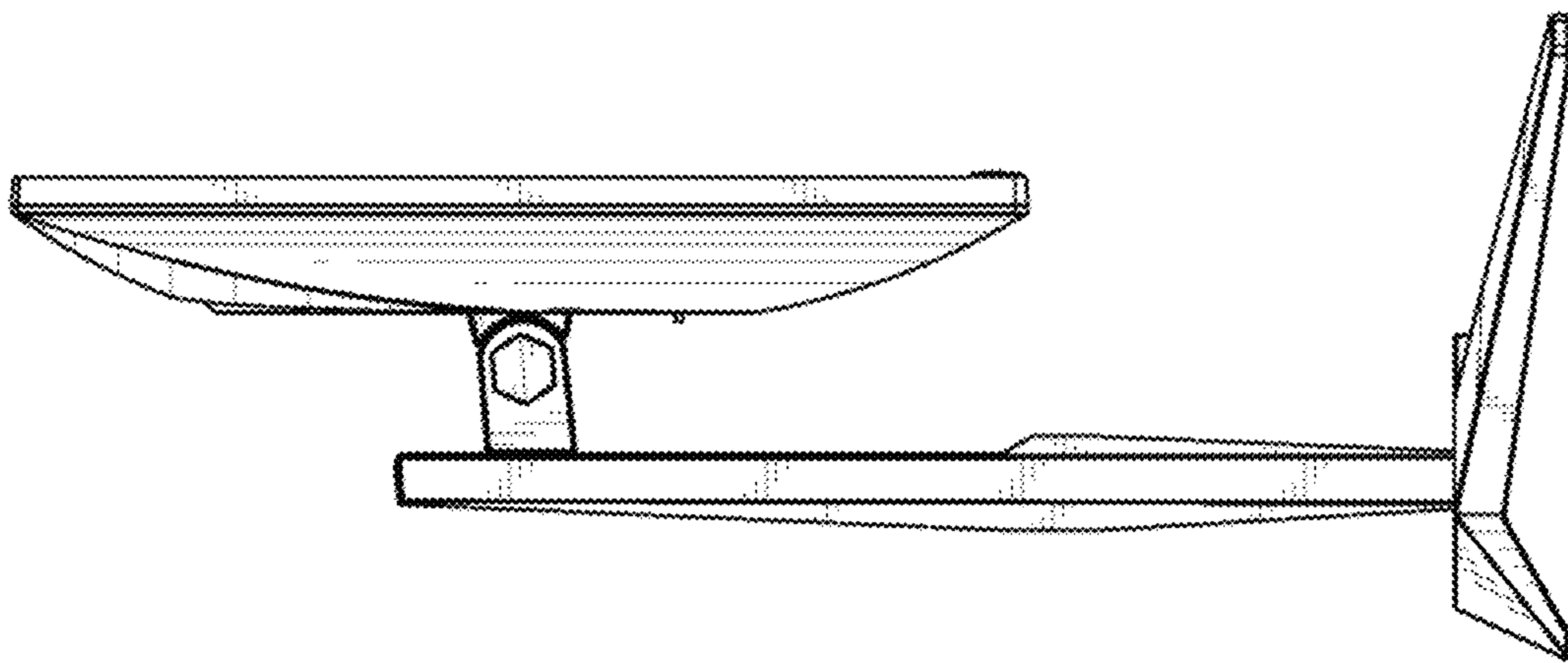


FIG.4

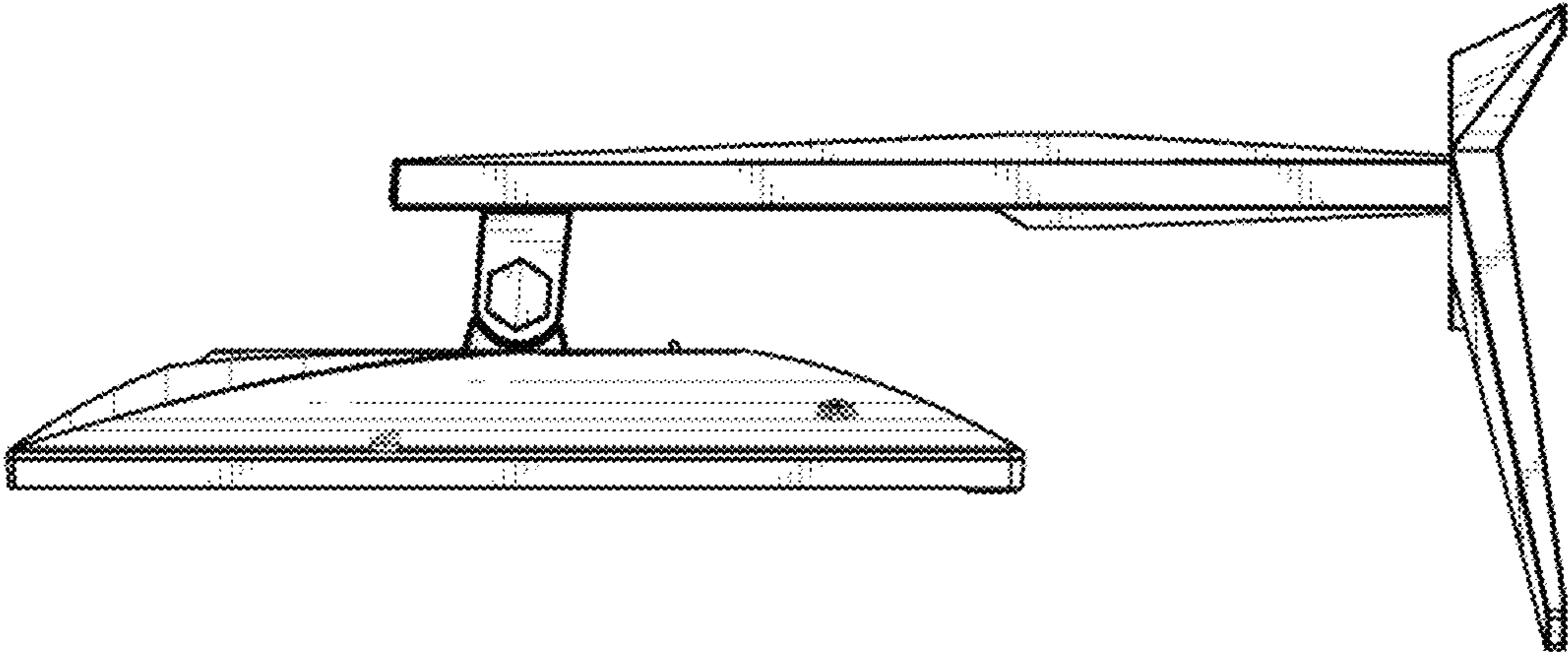


FIG.5

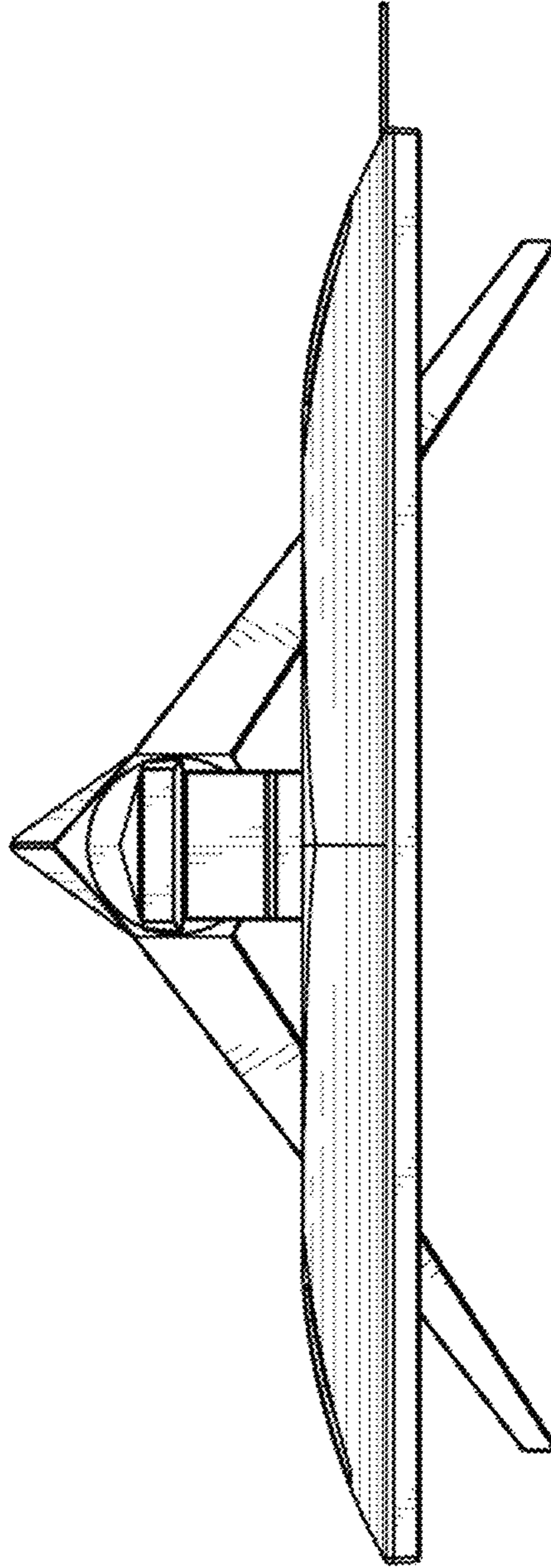


FIG.6



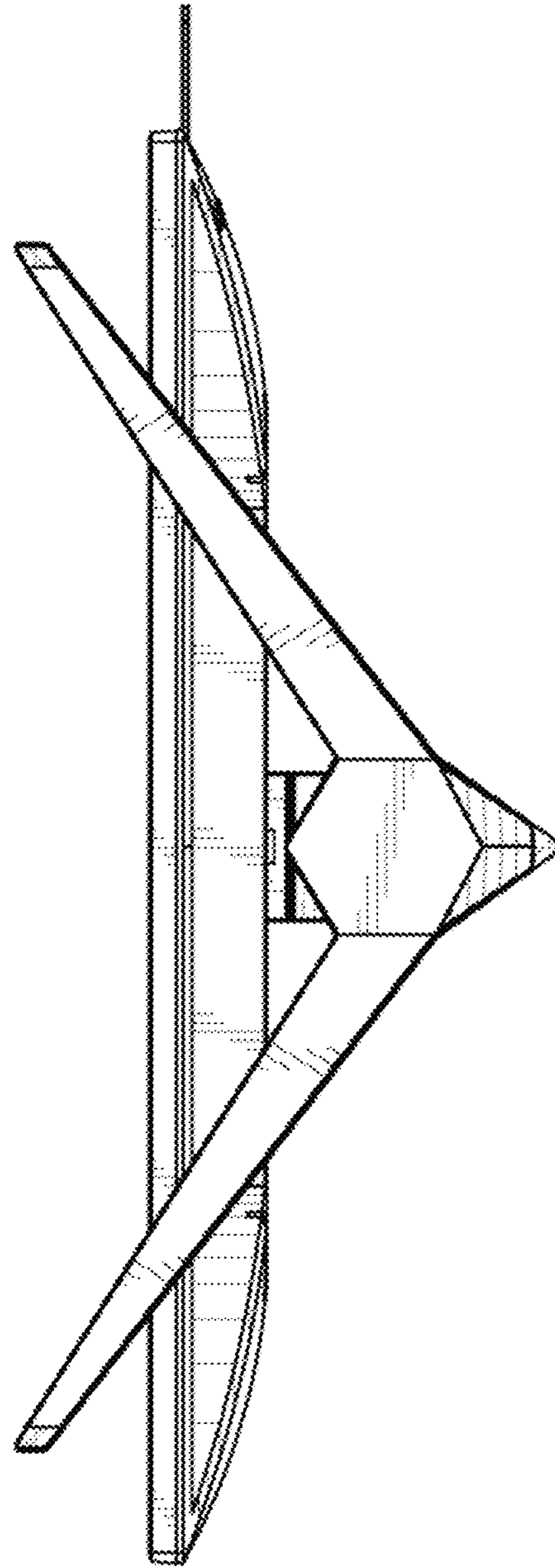


FIG.7

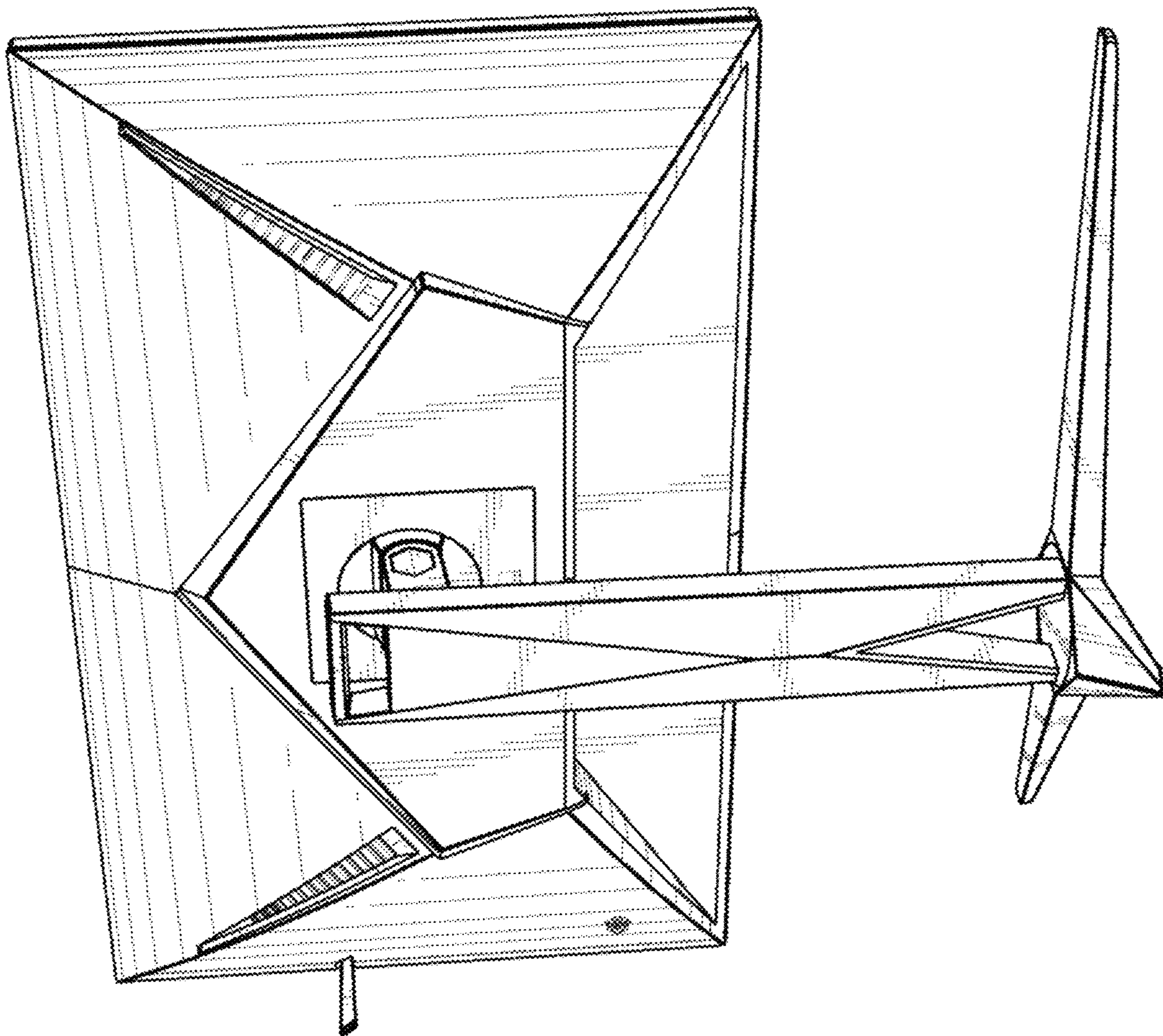


FIG. 8

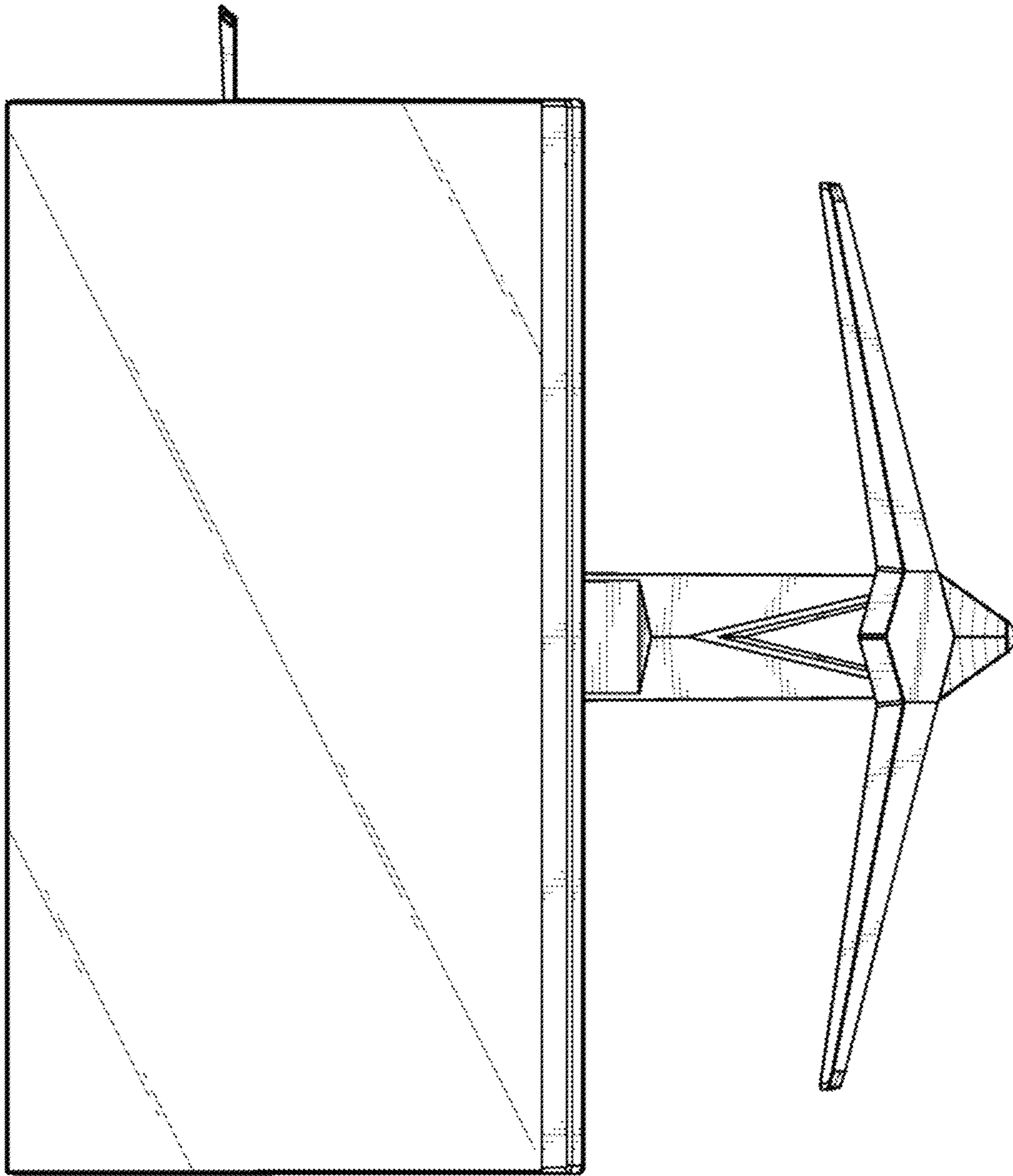


FIG.9