



US00D969806S

(12) **United States Design Patent** (10) **Patent No.:** **US D969,806 S**
Tsai et al. (45) **Date of Patent:** **** Nov. 15, 2022**

(54) **MONITOR**
(71) Applicant: **Top Victory Investments Limited,**
Kowloon (HK)
(72) Inventors: **Roger Tsai,** New Taipei (TW); **Doc Ho,**
New Taipei (TW)

D723,173 S * 2/2015 Kim D14/371
D726,717 S * 4/2015 Lee D14/371
D782,230 S * 3/2017 Wong D6/696.1
D786,262 S * 5/2017 Kim D14/451
D831,647 S * 10/2018 Woo D14/374
D834,015 S * 11/2018 Case D14/371

(Continued)

(73) Assignee: **Top Victory Investments Limited,**
Kowloon (HK)

FOREIGN PATENT DOCUMENTS

(**) Term: **15 Years**

KR 301177522.0000 * 8/2022
WO D221729-004 * 7/2022
WO D221729-005 * 7/2022

(21) Appl. No.: **29/768,936**

OTHER PUBLICATIONS

(22) Filed: **Feb. 2, 2021**

Samsung, "Odyssey G7 LS28AG700NNXZA . . ." available at
microsoft.com, oldest date available Oct. 6, 2021, site visited Sep.
7, 2021, available at URL: <https://bit.ly/3BjkOvm> (Year: 2021).*

(51) **LOC (13) Cl.** **14-02**
(52) **U.S. Cl.**
USPC **D14/371**; D14/126; D14/374; D14/376

(Continued)

(58) **Field of Classification Search**
USPC D14/371, 388, 307, 314, 334-337, 339,
D14/340, 373-382, 448, 450, 125, 126,
D14/127, 132, 133, 217; D6/300-301,
D6/308; D21/324, 329; D24/386
CPC G06F 1/16; G06F 1/1601; G06F 1/1603;
G06F 1/1605; G06F 1/1607; G06F
1/1611; G06F 1/1616; G06F 1/1618;
G06F 1/1622; G06F 1/1626; G06F
1/1641; G06F 1/1643; G06F 1/1647;
G06F 1/1649; G06F 1/1654; G06F
1/1656; G06F 1/181; G06F 1/1684; G06F
1/1686; G06F 1/1692; H05K 5/02; H05K
5/03; H05K 5/0217; H05K 5/0239; H05K
5/0243; H05K 5/0286; H04N 5/64

Primary Examiner — Daniel J Domino
Assistant Examiner — Samina Vieth

See application file for complete search history.

(57) **CLAIM**

The ornamental design for a monitor, as shown and
described.

DESCRIPTION

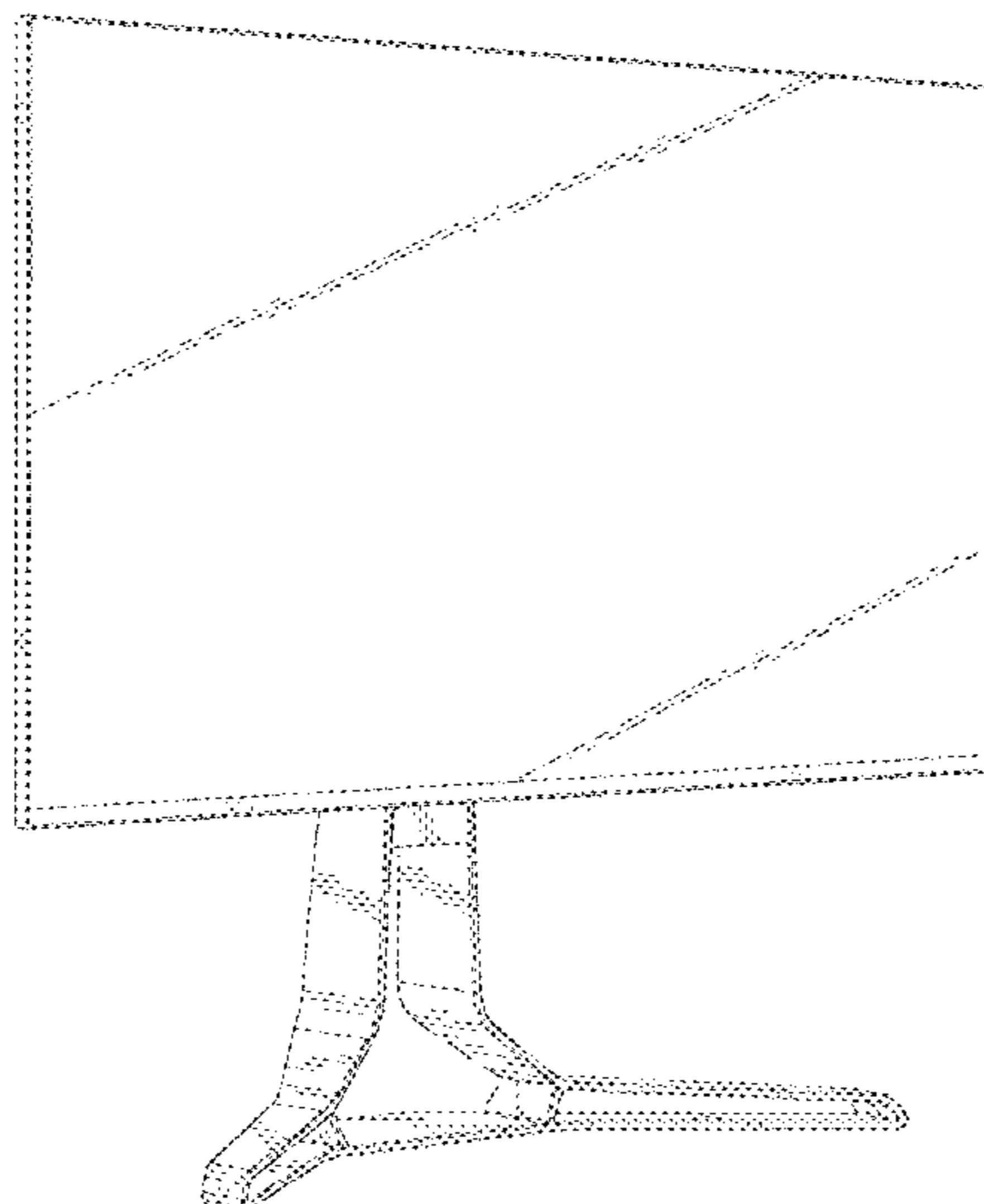
FIG. 1 is a perspective view of a monitor showing our new
design;
FIG. 2 is a front elevational view thereof;
FIG. 3 is a rear elevational view thereof;
FIG. 4 is a left side elevational view thereof;
FIG. 5 is a right side elevational view thereof;
FIG. 6 is a top plan view thereof;
FIG. 7 is a bottom plan view thereof; and,
FIG. 8 is another perspective view thereof.
The dashed broken lines depict portions of the monitor in
which the design is embodied that form no part of the
claimed design.

(56) **References Cited**

U.S. PATENT DOCUMENTS

D398,915 S * 9/1998 Shaffer D14/450
D441,224 S * 5/2001 Scheper D6/692.3
D634,323 S * 3/2011 Park D14/374
D717,754 S * 11/2014 Kim D14/126

1 Claim, 7 Drawing Sheets



(56)

References Cited

U.S. PATENT DOCUMENTS

D867,371	S	*	11/2019	Chen	D14/451
D876,444	S	*	2/2020	Ann	D14/451
D903,615	S	*	12/2020	Goh	D14/126
D924,859	S	*	7/2021	Kim	D14/239
D943,578	S	*	2/2022	Kang	D14/375
2012/0081351	A1	*	4/2012	Yokota	G02F 1/133608 361/679.01
2014/0340827	A1	*	11/2014	Truong	G06F 1/16 248/122.1
2016/0084428	A1	*	3/2016	Cayer	F16M 11/045 361/679.21

OTHER PUBLICATIONS

Arstechnica, "The 7 most exciting PC Monitors from CES 2022" available at arstechnica.com, date published Jan. 8, 2022, site visited Sep. 7, 2022, available at URL: <https://arstechnica.com/gadgets/2022/01/the-7-most-exciting-pc-monitors-from-ces-2022/> (Year: 2022).*

Z-Edge, "U27P4K 27-Inch 4K Monitor 3840x2160 IPS LED . . .", available at walmart.com, oldest date available Nov. 5, 2021, site visited Sep. 7, 2022, available at URL: <https://bit.ly/3BmaAu8> (Year: 2021).*

Gawfolk, "Curved 27 inch Gaming Monitor . . .", available at amazon.com, date first available Aug. 27, 2022, site visited Sep. 7, 2022, available at URL: <https://a.co/d/hlddNap> (Year: 2022).*

CRUA, "24" Monitor, IPS FHD . . ." available at amazon.com, date first available Jun. 9, 2022, site visited Sep. 7, 2022, available at URL: <https://a.co/d/dS7017x> (Year: 2022).*

* cited by examiner

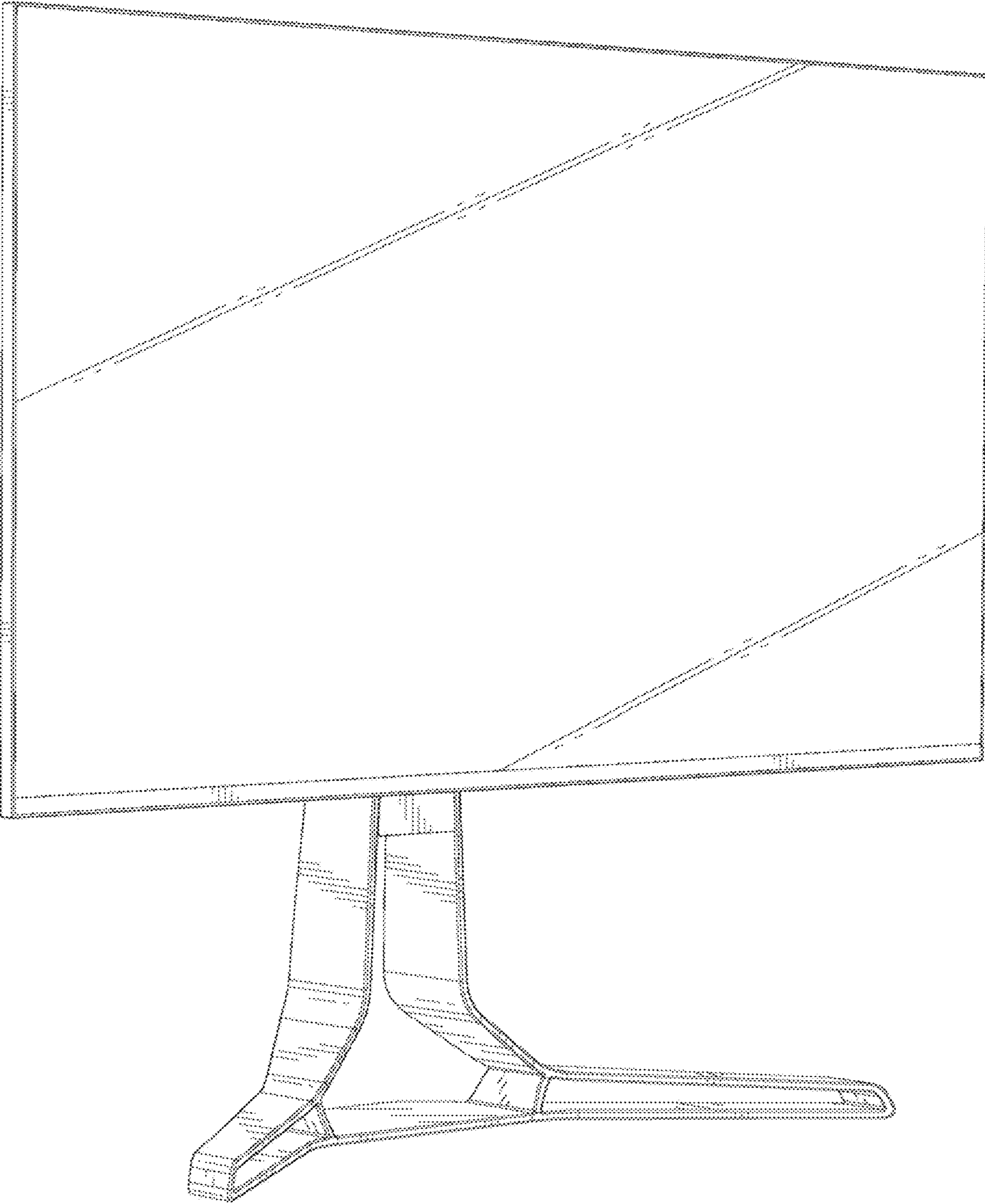


FIG. 1

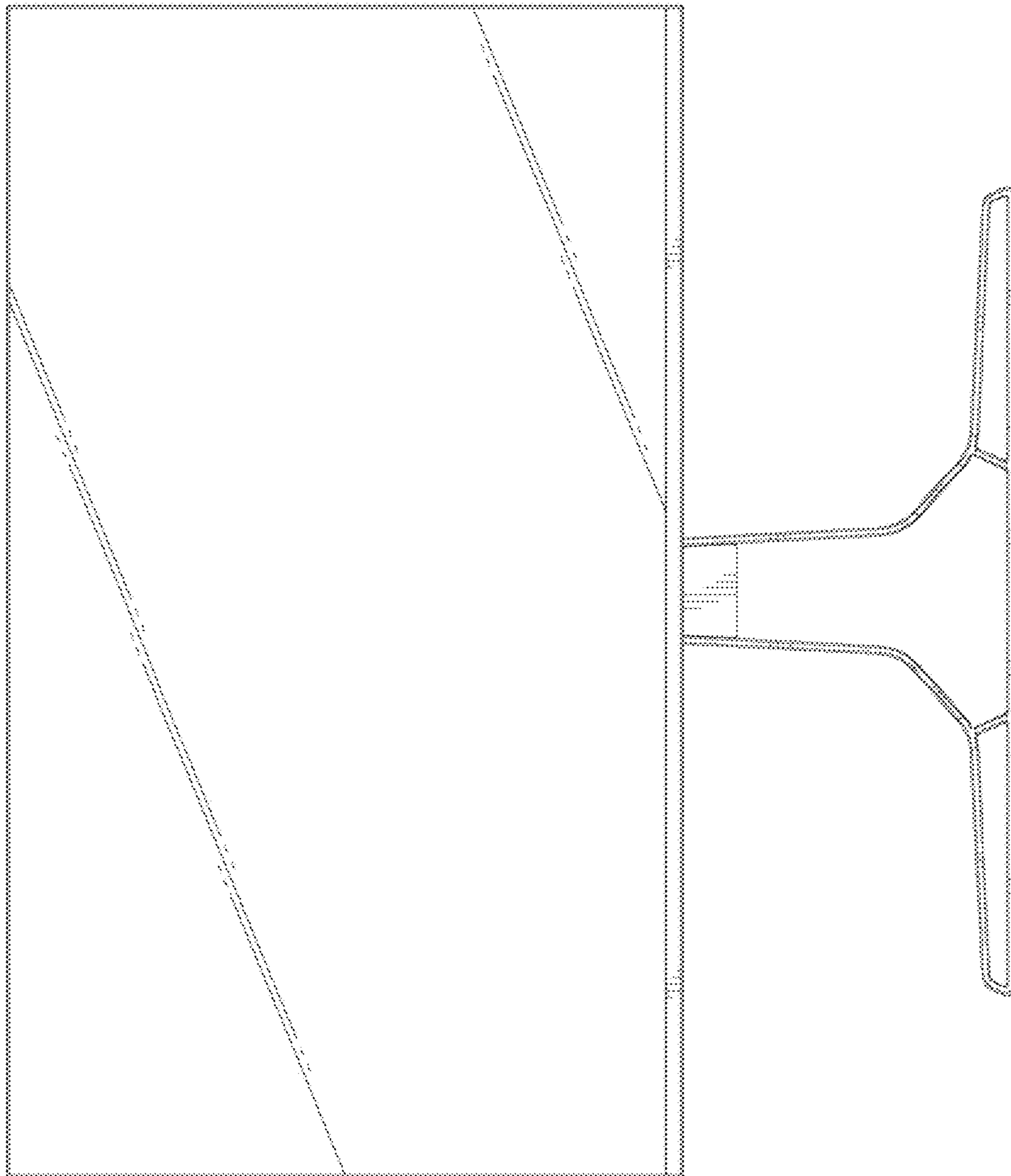


FIG. 2

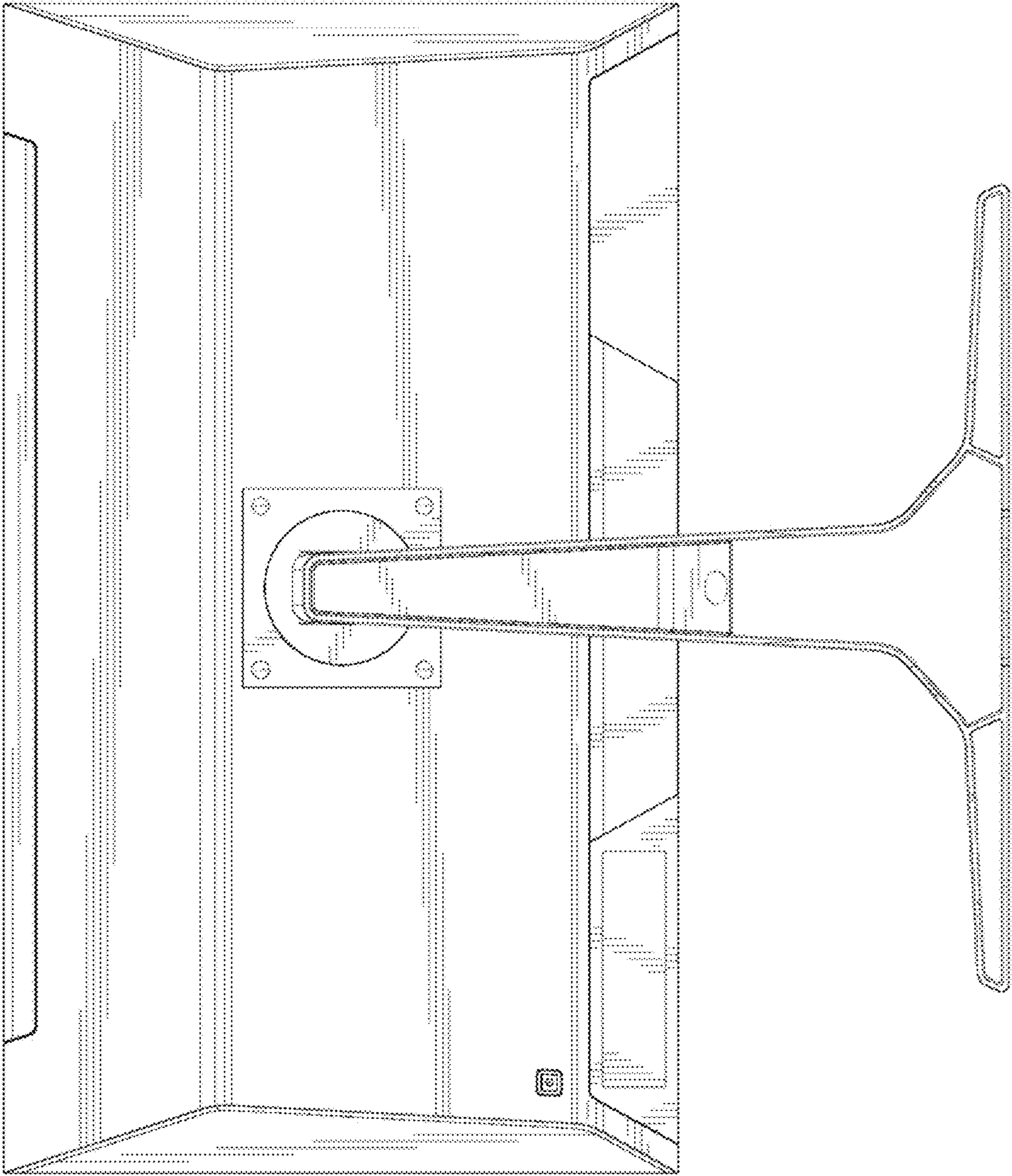


FIG. 3

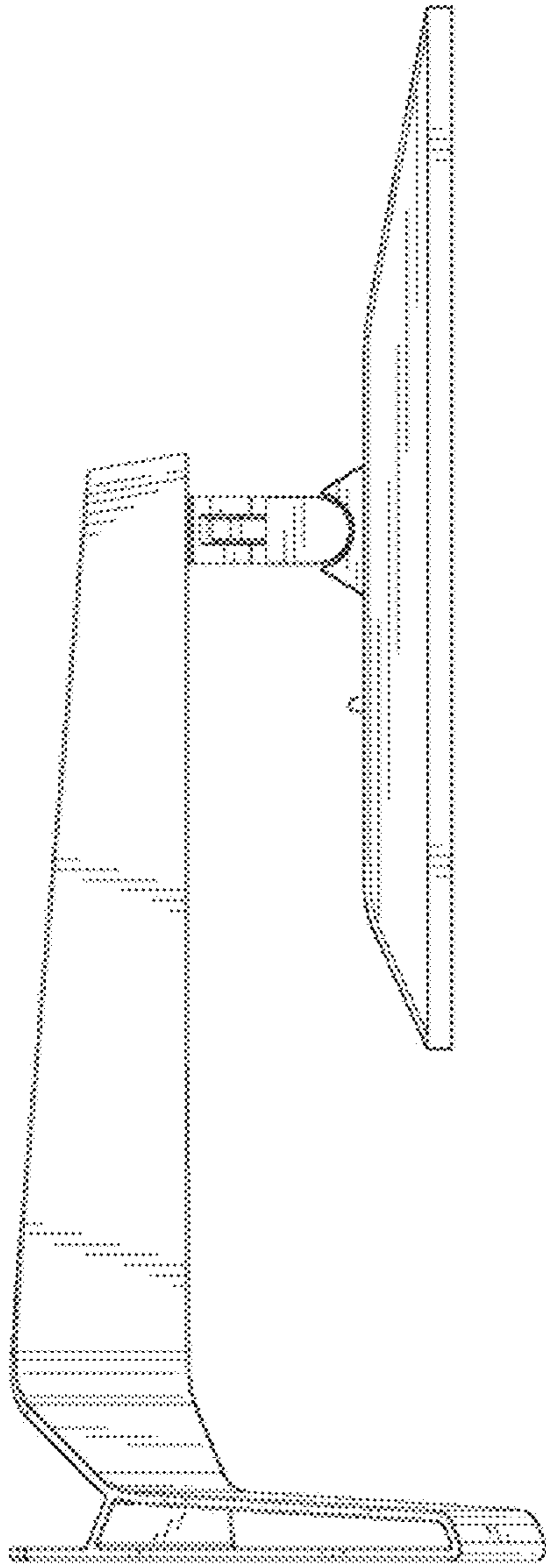


FIG. 4

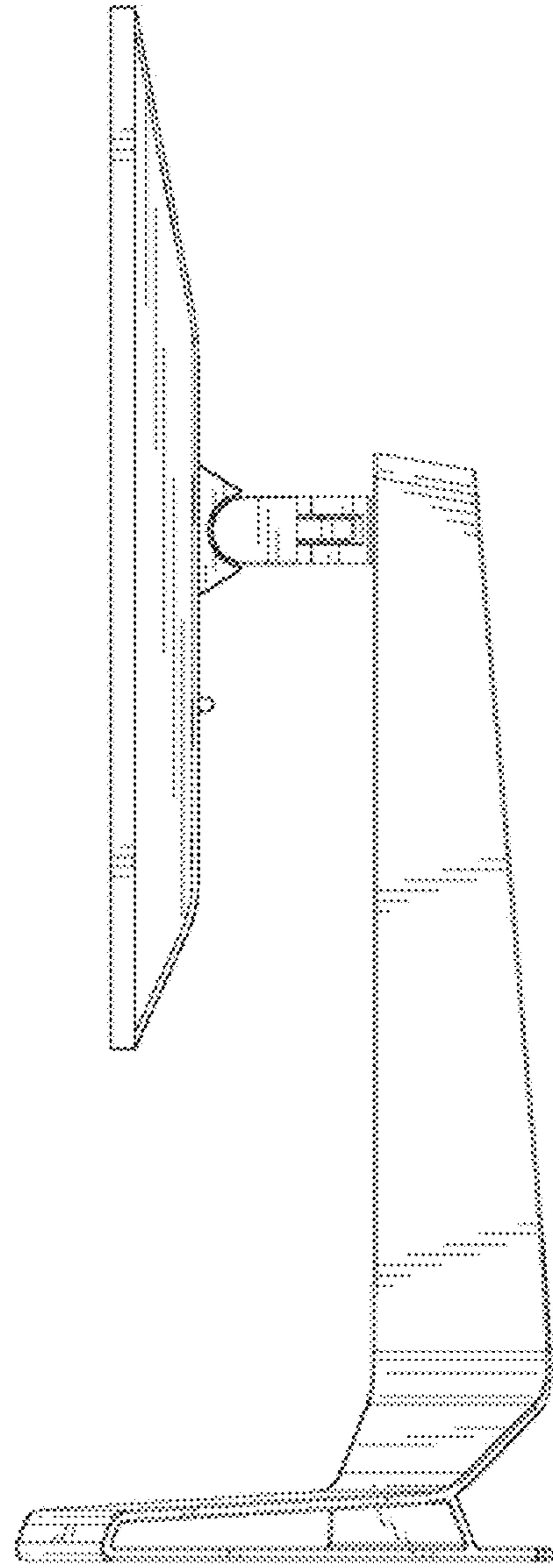


FIG. 5

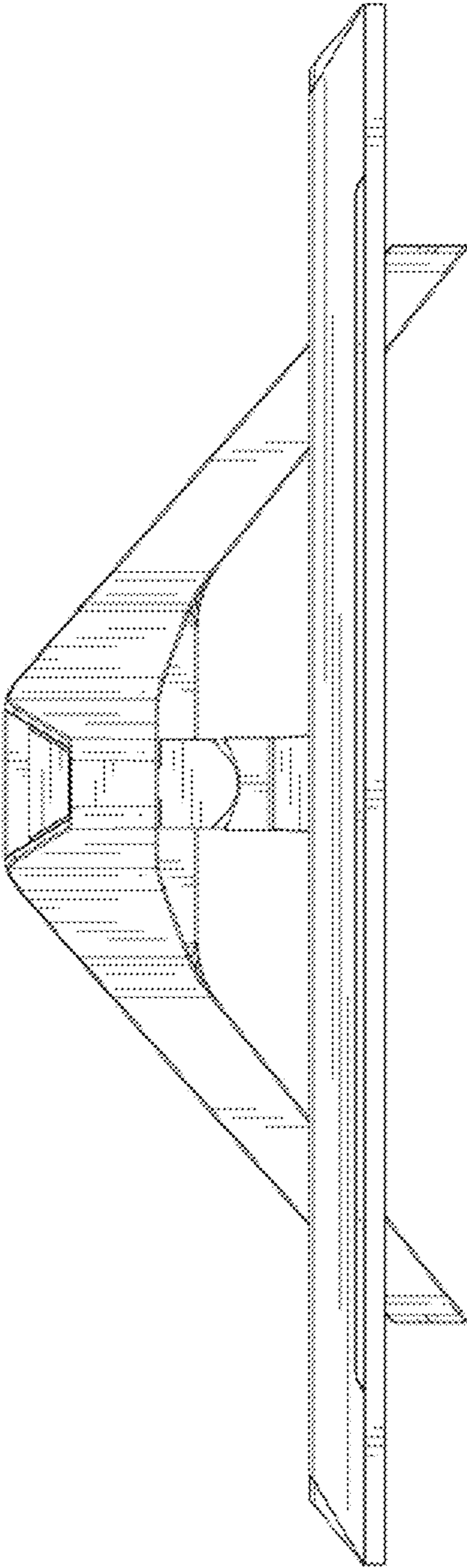


FIG. 6

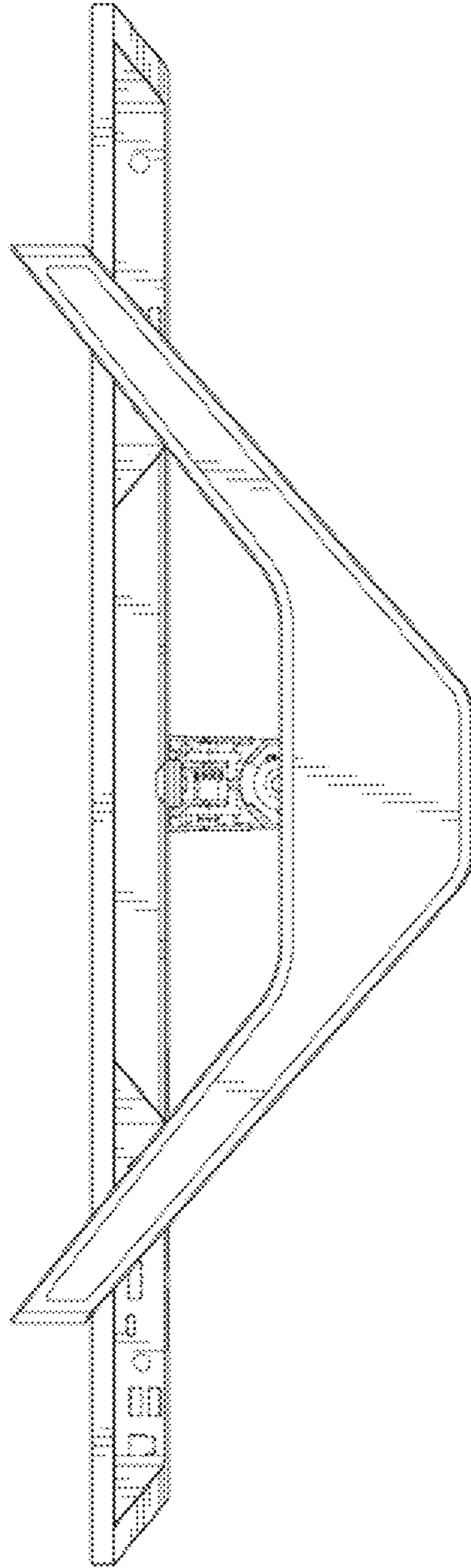


FIG. 7

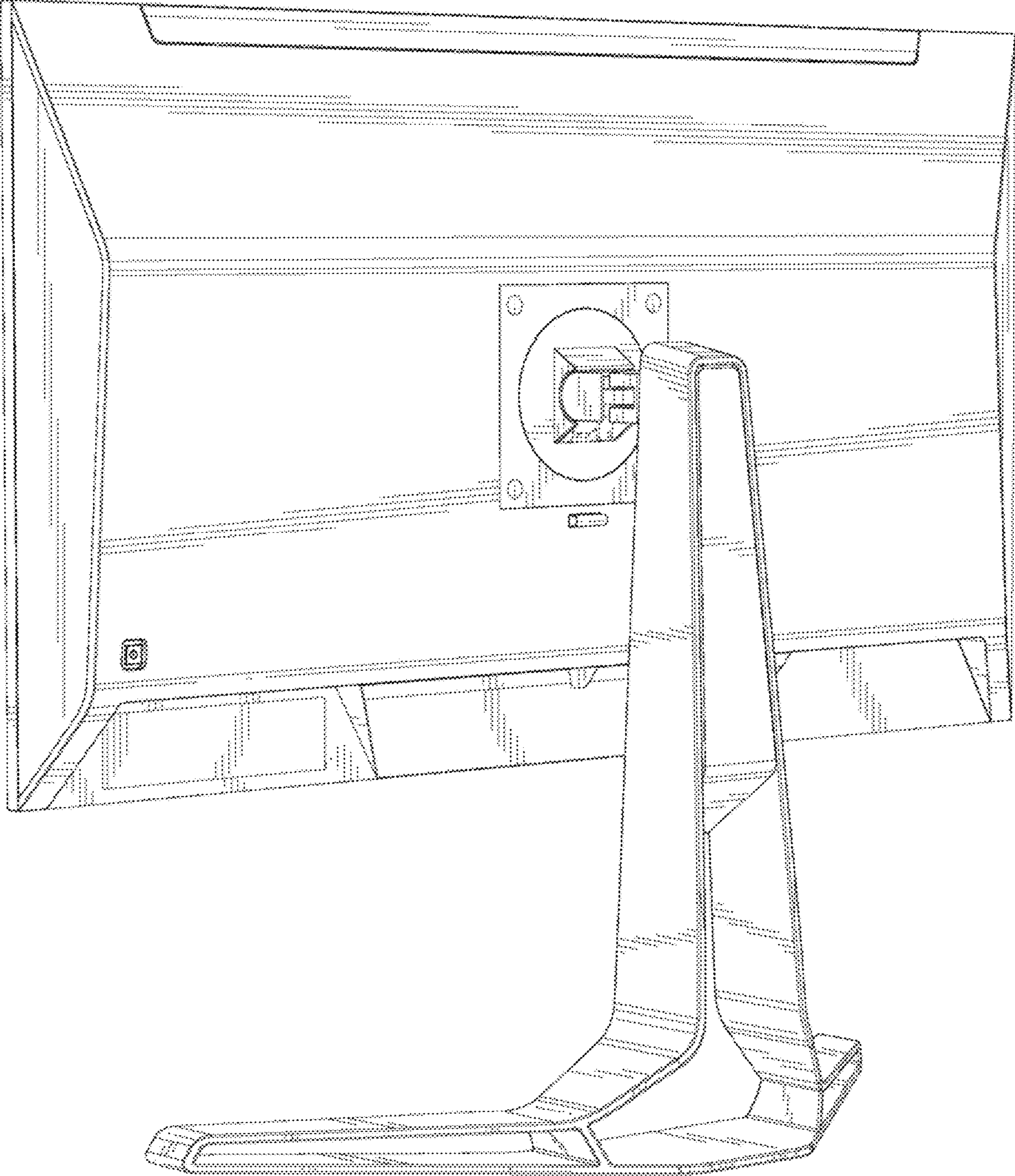


FIG. 8