



US00D969805S

(12) **United States Design Patent** (10) **Patent No.:** **US D969,805 S**  
**Tang et al.** (45) **Date of Patent:** **\*\* Nov. 15, 2022**

(54) **SMART WATCH**  
(71) Applicant: **BEIJING XIAOMI MOBILE SOFTWARE CO., LTD.**, Beijing (CN)  
(72) Inventors: **Jianyu Tang**, Beijing (CN); **Ningning Li**, Beijing (CN)  
(73) Assignee: **BEIJING XIAOMI MOBILE SOFTWARE CO., LTD.**, Beijing (CN)

D802,587 S 11/2017 Lee et al.  
D805,929 S \* 12/2017 Akana ..... D10/70  
D832,252 S \* 10/2018 Akana ..... D14/344  
(Continued)

(\*\*) Term: **15 Years**  
(21) Appl. No.: **35/511,958**

**FOREIGN PATENT DOCUMENTS**

CN 303069517 S 1/2015  
CN 304111307 S 4/2017  
TW D179642 S 11/2016  
TW D194440 S 12/2018

(22) Filed: **Mar. 16, 2021**

**OTHER PUBLICATIONS**  
Fitbit launches fitness-focused Blaze smartwatch at CES 2016, publication date Jan. 6, 2016, [online] URL: <https://www.dezeen.com/2016/01/06/fitbit-blaze-fitness-smartwatch-ces-2016-wearable-technology/> (Year: 2016).\*  
(Continued)

(80) **Hague Agreement Data**  
Int. Filing Date: **Mar. 16, 2021**  
Int. Reg. No.: **DM/214397**  
Int. Reg. Date: **Mar. 16, 2021**  
Int. Reg. Pub. Date: **Jun. 4, 2021**

*Primary Examiner* — L. A. Grabenstetter  
(74) *Attorney, Agent, or Firm* — Syncoda LLC; Feng Ma

(30) **Foreign Application Priority Data**

(57) **CLAIM**

The ornamental design for a smart watch, as shown and described.

Sep. 18, 2020 (CN) ..... 202030558128.6

(51) **LOC (13) Cl.** ..... **14-02**  
(52) **U.S. Cl.**  
USPC ..... **D14/344**  
(58) **Field of Classification Search**  
USPC ..... D10/30, 32, 38, 65, 70, 98, 132;  
D14/138 R, 240, 341, 344; D24/167, 186  
CPC ..... A44C 5/0053; A44C 5/145; G06F 1/163  
See application file for complete search history.

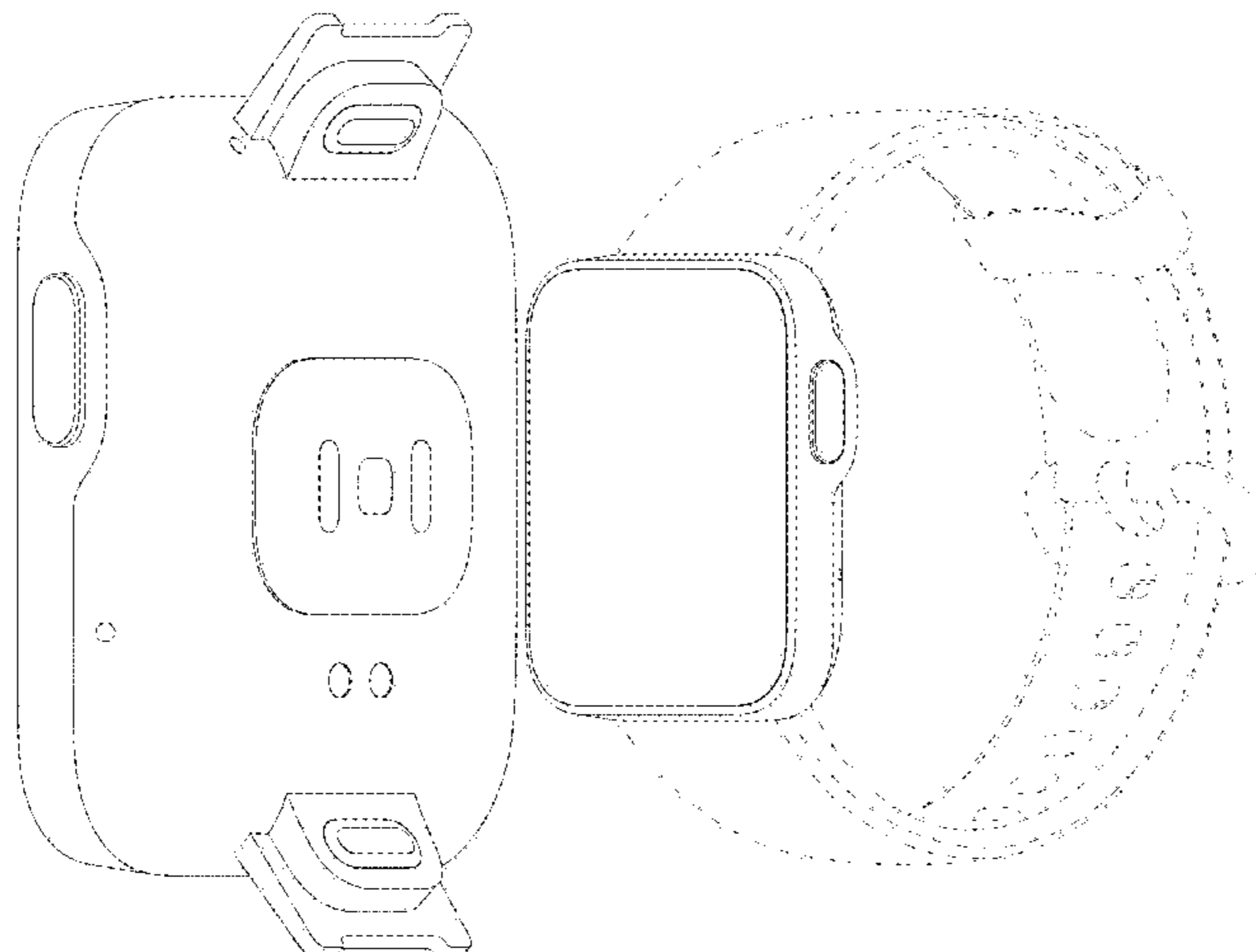
**DESCRIPTION**

1. Smart watch  
1.1 : Front  
1.2 : Back  
1.3 : Left  
1.4 : Right  
1.5 : Top  
1.6 : Bottom  
1.7 : Front Perspective  
1.8 : Back Perspective  
1.9 : Second front perspective, shown in a state of use  
1.10 : Second back perspective, shown in a state of use  
The broken line watch bands included in reproductions 1.9 and 1.10 represent environmental subject matter that forms no part of the claimed design.

(56) **References Cited**  
U.S. PATENT DOCUMENTS

D596,510 S \* 7/2009 Register ..... D10/38  
D747,979 S 1/2016 Babcock et al.  
D751,068 S \* 3/2016 Erbeus ..... D14/344  
D759,011 S \* 6/2016 Akana ..... D14/344  
D760,717 S 7/2016 Solomon et al.  
D772,730 S \* 11/2016 Lai ..... D10/38

**1 Claim, 10 Drawing Sheets**



(56)

References Cited

U.S. PATENT DOCUMENTS

D837,206	S *	1/2019	Guan	.....	D14/344
D838,716	S *	1/2019	Teng	.....	D14/344
D855,813	S *	8/2019	Hu	.....	D10/70
D889,459	S *	7/2020	Zhang	.....	D14/344
D903,664	S *	12/2020	Riot	.....	D14/344
D912,665	S *	3/2021	Zhang	.....	D14/344
D922,376	S *	6/2021	Zheng	.....	D14/344
D923,003	S *	6/2021	Lin	.....	D14/344
D926,753	S *	8/2021	Wu	.....	D14/344
D933,066	S *	10/2021	Li	.....	D14/344
D933,497	S *	10/2021	Panneer Selvam	.....	D14/344
D933,651	S *	10/2021	Cheng	.....	D14/344
D935,453	S *	11/2021	Gao	.....	D14/344
D936,650	S *	11/2021	Panneer Selvam	.....	D14/344
D939,360	S *	12/2021	Qu	.....	D10/32
D947,055	S *	3/2022	Tian	.....	D14/440
2017/0032168	A1 *	2/2017	Kim	.....	G06F 3/0362
2017/0248922	A1 *	8/2017	Hynecek	.....	A45C 11/12
2020/0367816	A1 *	11/2020	Panneer Selvam	....	A61B 5/746
2021/0364992	A1 *	11/2021	Yang	.....	G04G 9/007

OTHER PUBLICATIONS

Fitbit Versa review, publication date Mar. 26, 2018, [online] URL: <https://www.digitaltrends.com/mobile/fitbit-versa-review/> (Year: 2018).\*

Novus Modular Smartphone for Kids, publication date Jun. 21, 2019, [online] URL: <https://www.yankodesign.com/2019/06/21/novus-modular-smartphone-for-kids-is-the-worlds-first/> (Year: 2019).\*

Old prototype surfaces of a square Motorola smartwatch, publication date Sep. 7, 2016, [online] URL: <https://www.talkandroid.com/301472-old-prototype-surfaces-of-a-square-motorola-smartwatch/> (Year: 2016).\*

Pebble Time smartwatch breaks Kickstarter records, publication date Feb. 24, 2015, [online] URL: <https://www.dezeen.com/2015/02/24/pebble-time-smartwatch-breaks-kickstarter-funding-record-one-hour/> (Year: 2015).\*

Xiaomi Mi Watch, publication date Oct. 31, 2019, [online] URL: <https://www.yankodesign.com/2019/10/31/xiaomi-mi-watch-not-the-first-time-the-chinese-company-blatantly-copied-apple/> (Year: 2019).\*

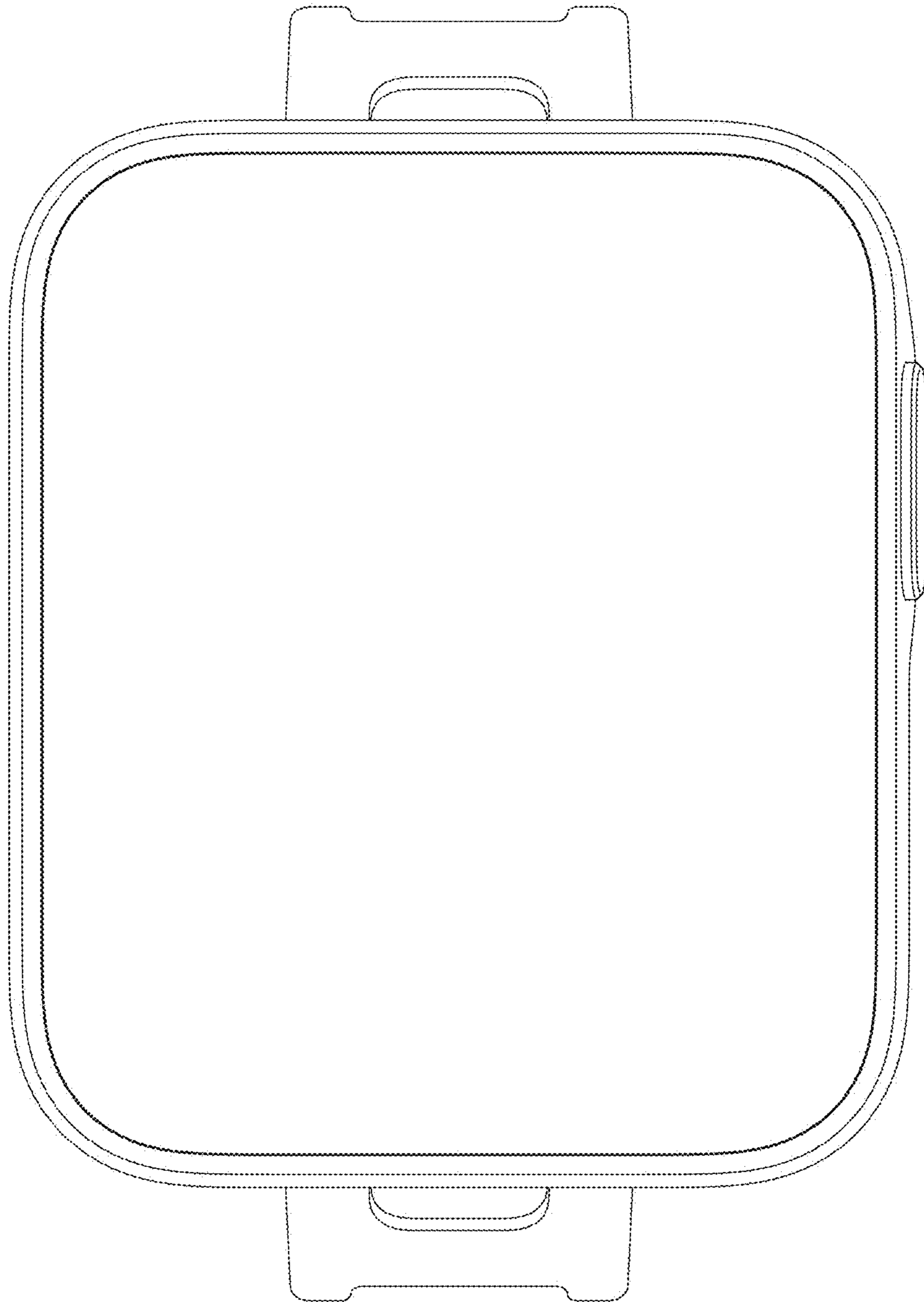
Xiaomi Mi Watch Lite review, publication date Aug. 1, 2021, [online] URL: <https://www.androidauthority.com/xiaomi-mi-watch-lite-review-1187945/> (Year: 2021).\*

Xiaomi Mi Watch Lite vs Redmi Watch: Which one is better for you?, publication date Dec. 16, 2020, [online] URL: <https://www.youtube.com/watch?v=cOAqgxKIYMs> (Year: 2020).\*

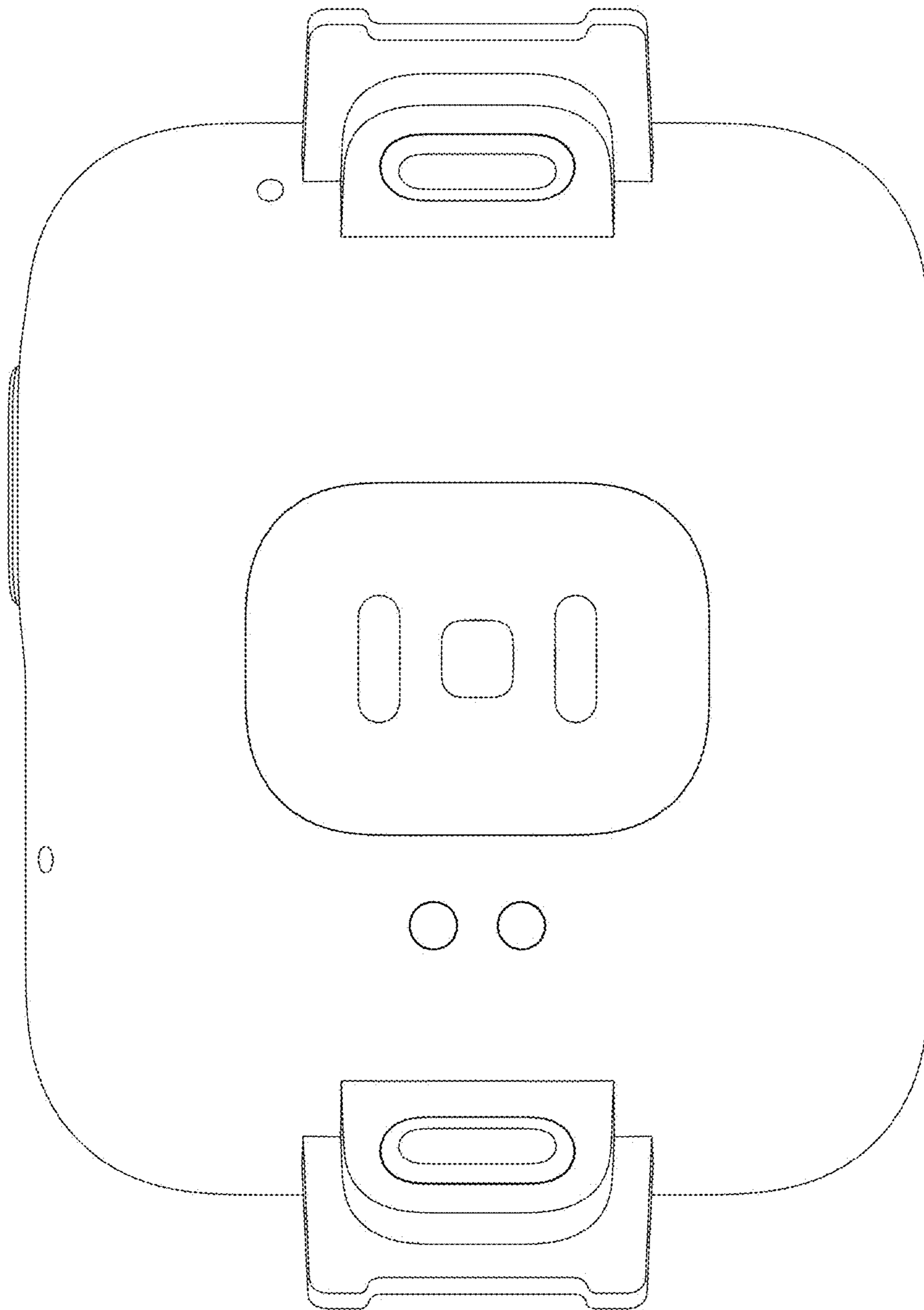
Danawa, "Allup Skin Xiaomi Mi Watch Light Full Cover LCD Protector 2 Sheets", Aug. 31, 2015. <https://prod.danawa.com/info/?pcode=14175119>.

First Office Action of the Korean application No. WIPO102537, dated May 30, 2022.

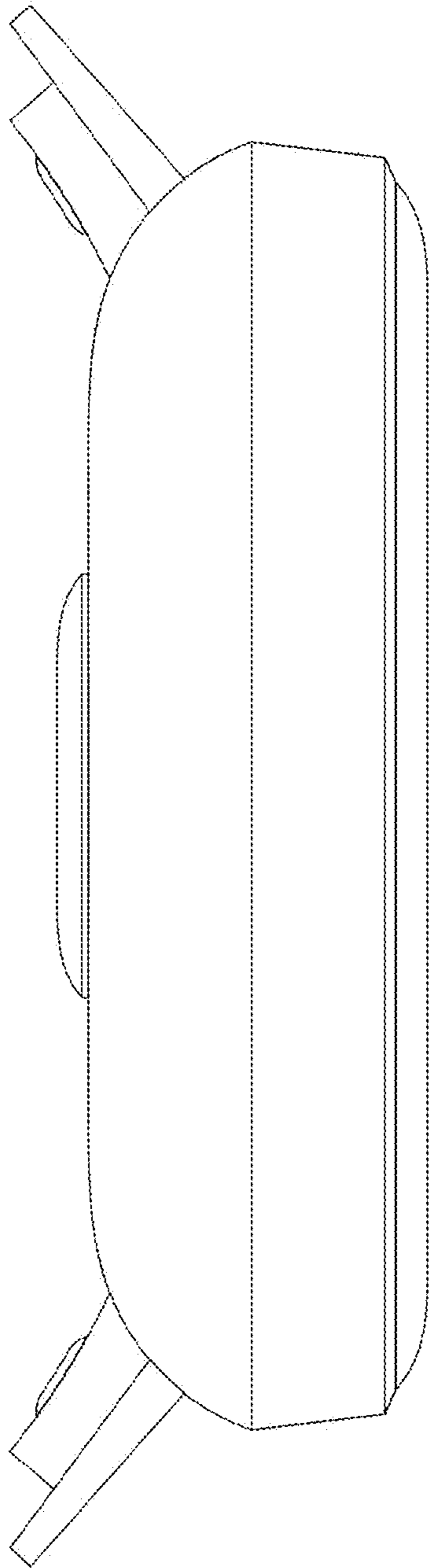
\* cited by examiner



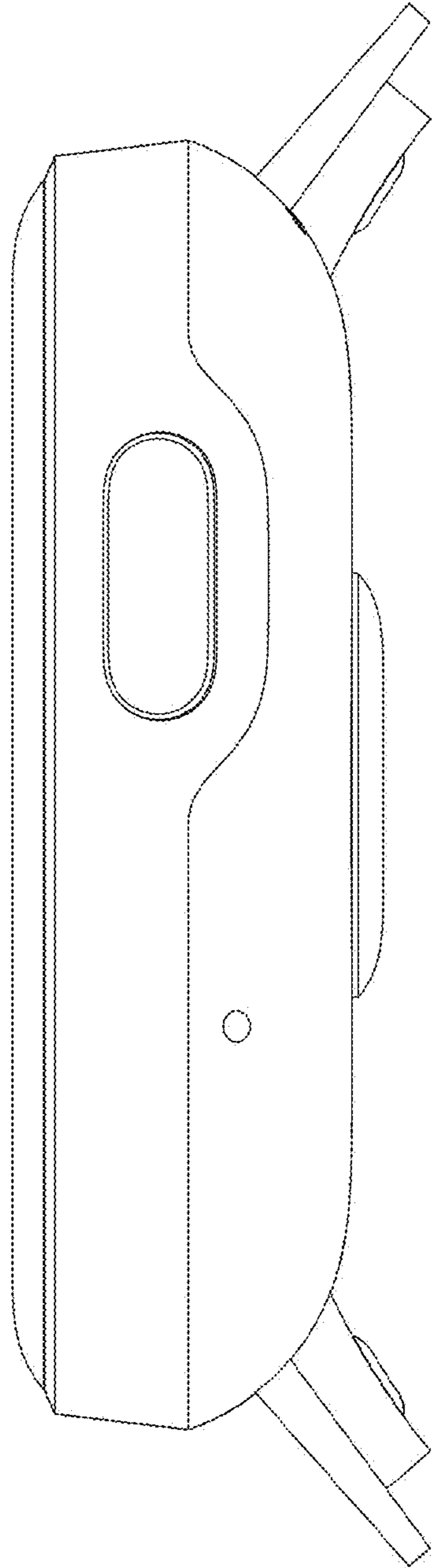
1.1



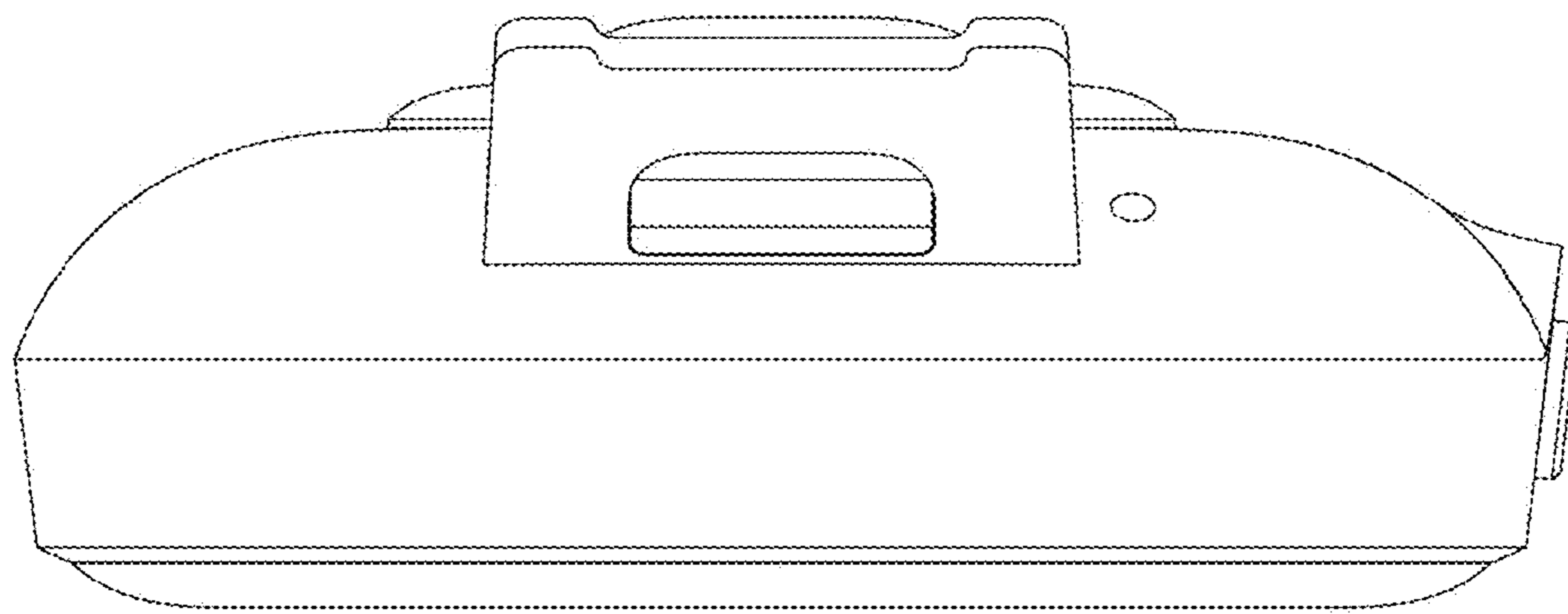
1.2



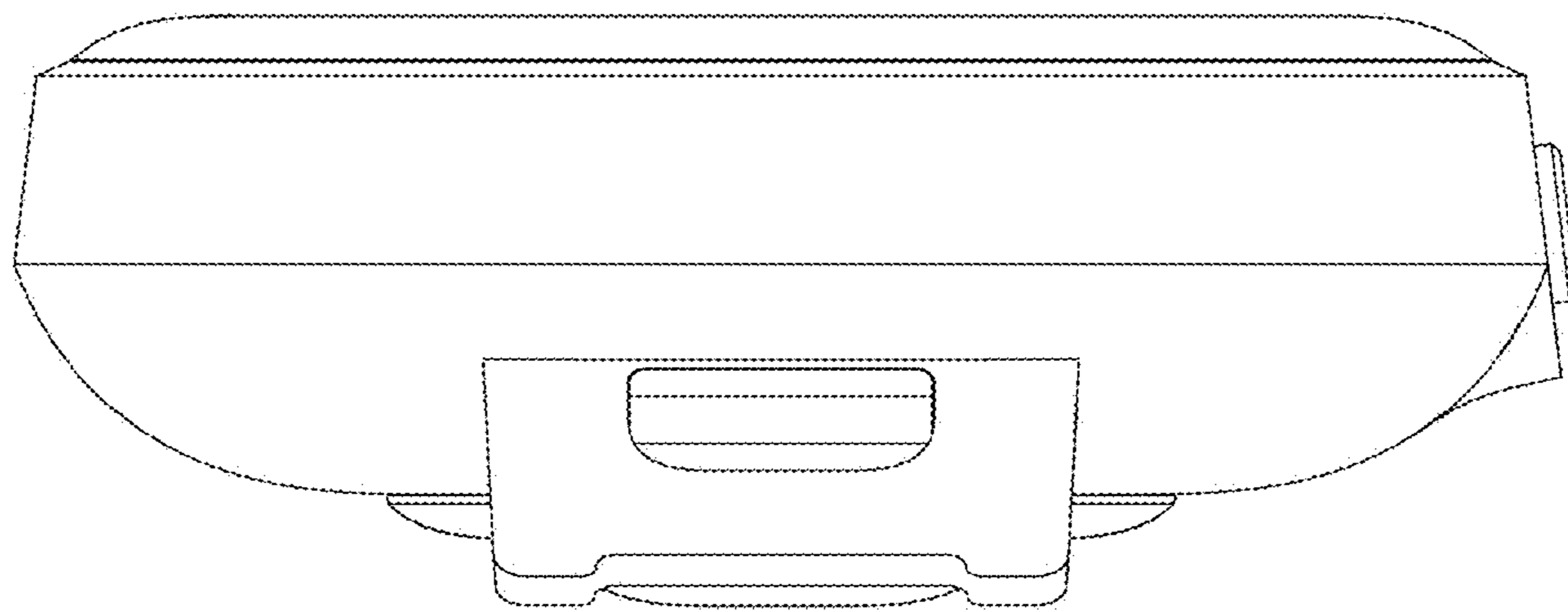
1.3



1.4

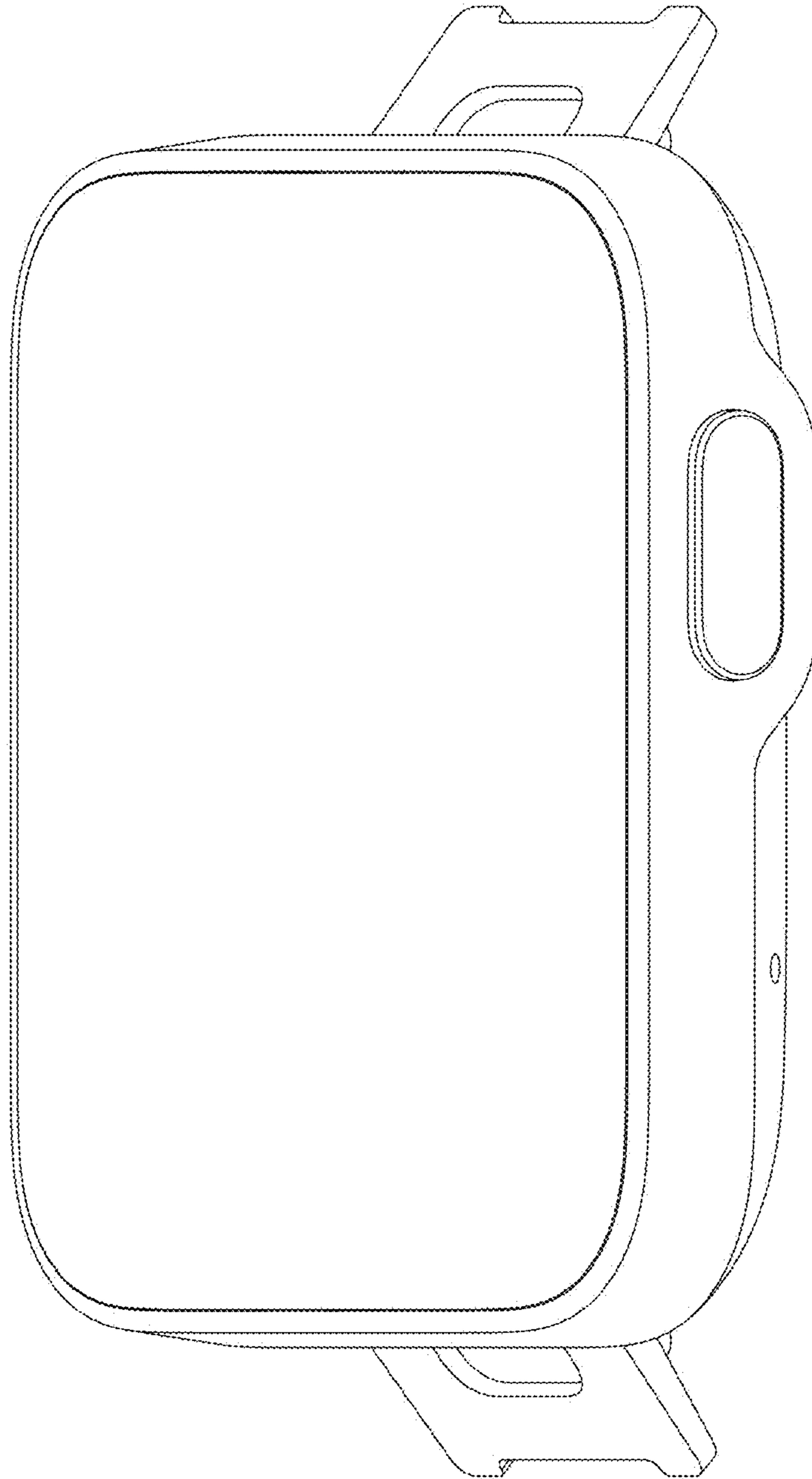


1.5

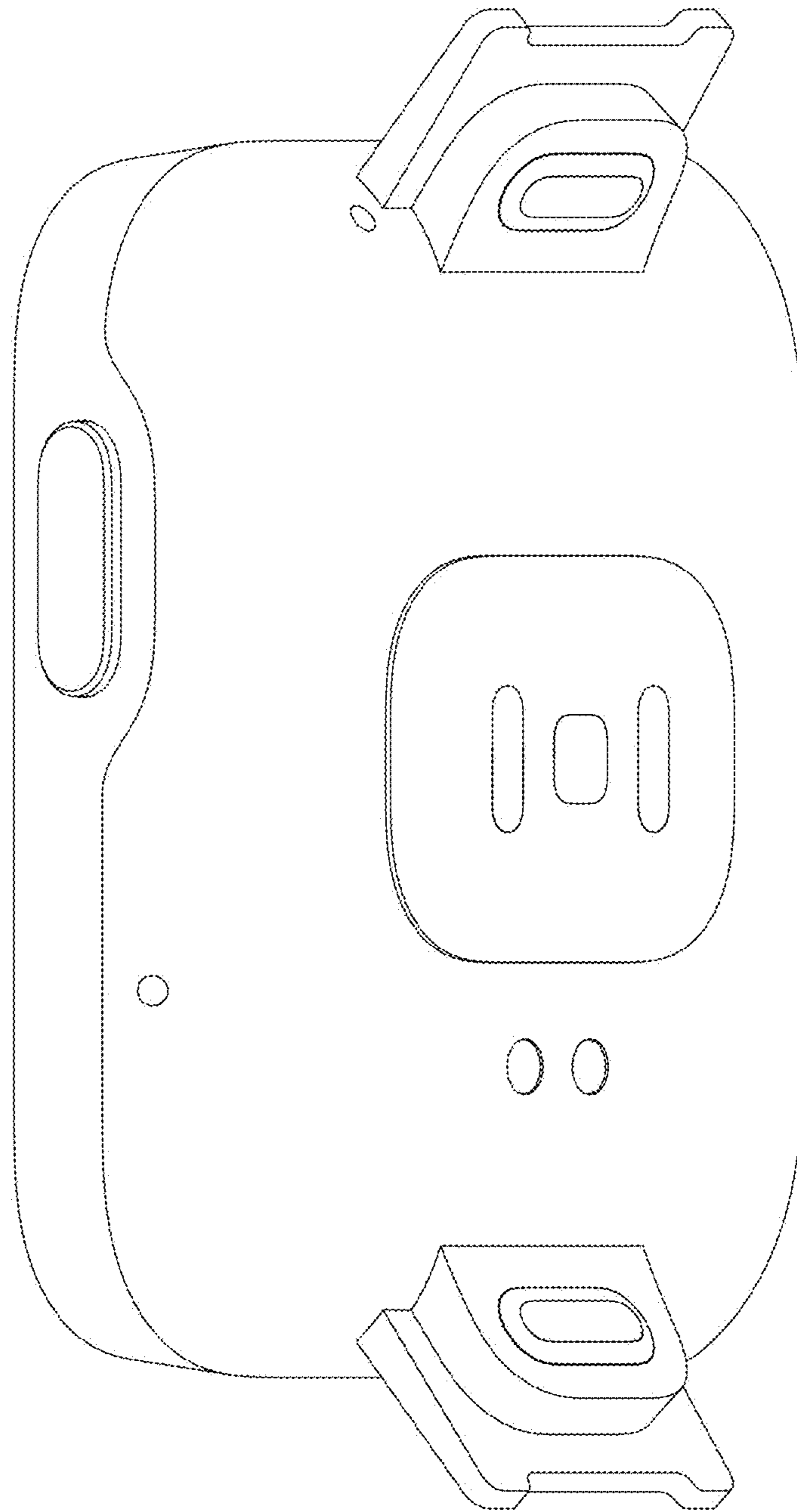


1.6

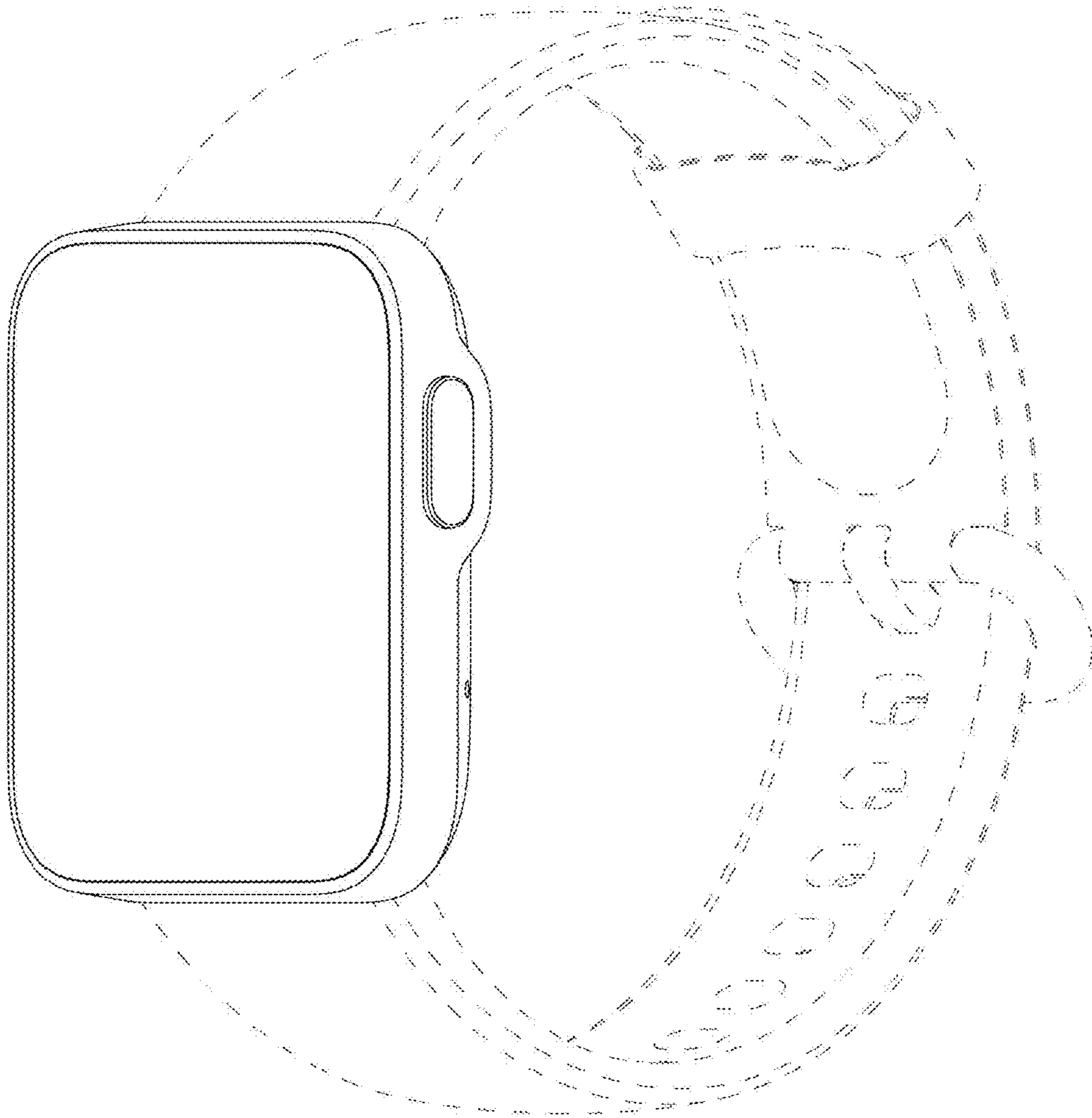




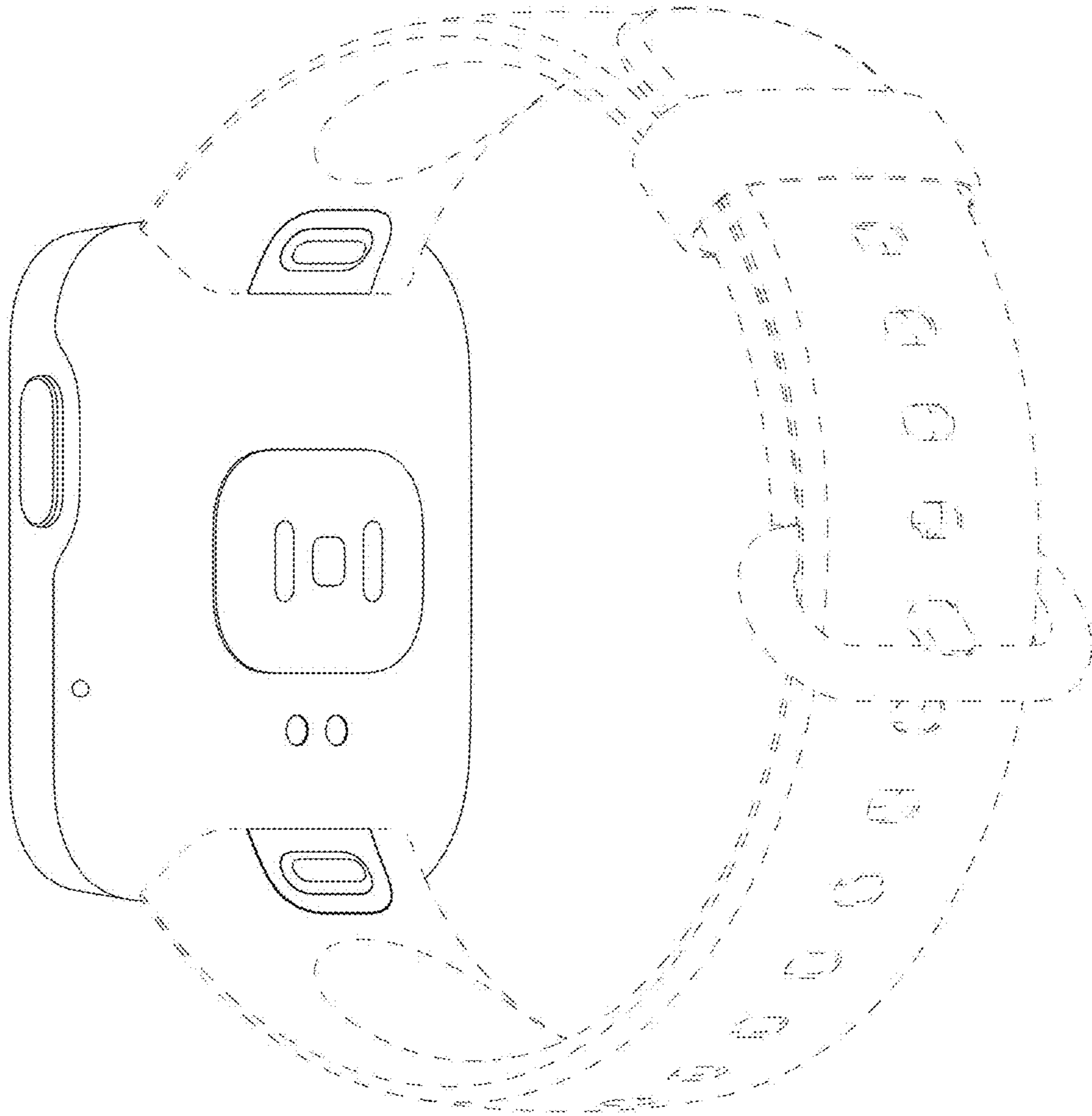
1.7



1.8



1.9



1.10