



US00D969804S

(12) **United States Design Patent** (10) **Patent No.:** **US D969,804 S**  
**Akana et al.** (45) **Date of Patent:** **\*\* Nov. 15, 2022**

(54) **WEARABLE DEVICE**

(71) Applicant: **Apple Inc.**, Cupertino, CA (US)

(72) Inventors: **Jody Akana**, San Francisco, CA (US); **Molly Anderson**, San Francisco, CA (US); **Bartley K. Andre**, Palo Alto, CA (US); **Shota Aoyagi**, San Francisco, CA (US); **Anthony Michael Ashcroft**, San Francisco, CA (US); **Marine C. Bataille**, San Francisco, CA (US); **Jeremy Bataillou**, San Francisco, CA (US); **Abidur Rahman Chowdhury**, San Francisco, CA (US); **Clara Geneviève Marine Courtaigne**, Palo Alto, CA (US); **Markus Diebel**, San Francisco, CA (US); **Jonathan Gomez Garcia**, San Francisco, CA (US); **M. Evans Hankey**, San Francisco, CA (US); **Julian Hoenig**, San Francisco, CA (US); **Richard P. Howarth**, San Francisco, CA (US); **Jonathan P. Ive**, San Francisco, CA (US); **Julian Jaede**, San Francisco, CA (US); **Duncan Robert Kerr**, San Francisco, CA (US); **Peter Russell-Clarke**, San Francisco, CA (US); **Benjamin Andrew Shaffer**, San Jose, CA (US); **Mikael Silvanto**, San Francisco, CA (US); **Joe Sung-Ho Tan**, San Francisco, CA (US); **Clement Tissandier**, San Francisco, CA (US); **Eugene Antony Whang**, San Francisco, CA (US); **Rico Zörkendörfer**, San Francisco, CA (US)

(73) Assignee: **Apple Inc.**, Cupertino, CA (US)

(\*\*) Term: **15 Years**

(21) Appl. No.: **29/736,110**

(22) Filed: **May 27, 2020**

(51) **LOC (13) Cl.** ..... **14-02**

(52) **U.S. Cl.**  
USPC ..... **D14/344**; D10/70

(58) **Field of Classification Search**  
USPC ..... D10/38, 32; D11/3, 5, 94, 12; D24/167, D24/186

(Continued)

(56) **References Cited**

U.S. PATENT DOCUMENTS

D249,244 S \* 9/1978 Salter ..... D10/38  
D727,199 S \* 4/2015 Akana ..... D11/3

(Continued)

OTHER PUBLICATIONS

Japanese Patent Office Document No. HJ29033948, "Apple Watch Series 3," au Home, available at least as early as Jul. 19, 2021.

(Continued)

*Primary Examiner* — George D. Kirschbaum  
*Assistant Examiner* — Antoinette Martine Suiter  
(74) *Attorney, Agent, or Firm* — Sterne, Kessler, Goldstein & Fox P.L.L.C.

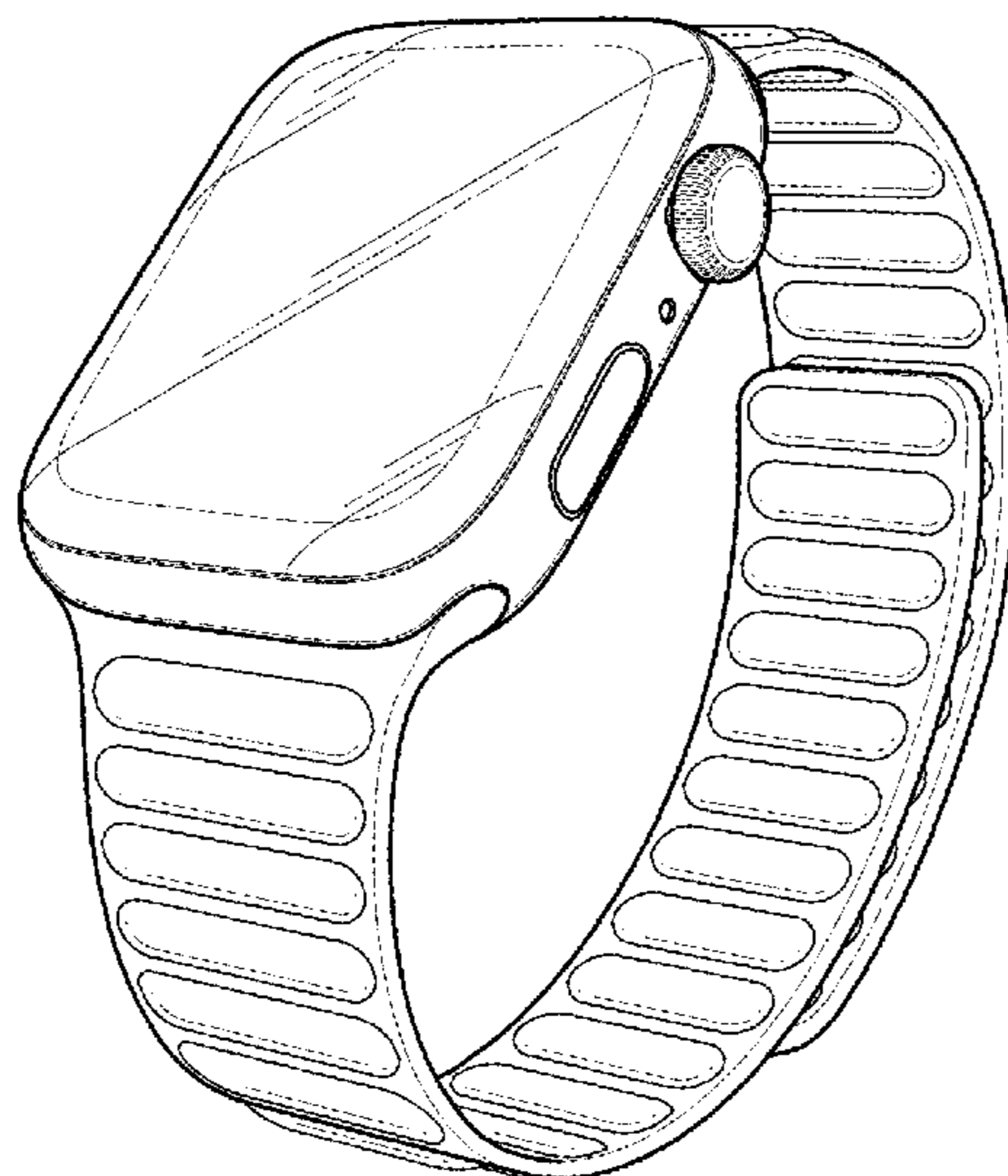
(57) **CLAIM**

The ornamental design for a wearable device, as shown and described.

**DESCRIPTION**

FIG. 1 is a front view of a wearable device showing the claimed design;  
FIG. 2 is a rear view thereof;  
FIG. 3 is a right side view thereof;  
FIG. 4 is a left side view thereof;  
FIG. 5 is a top view thereof;  
FIG. 6 is a bottom view thereof; and,  
FIG. 7 is a perspective view thereof.

**1 Claim, 5 Drawing Sheets**



(58) **Field of Classification Search**  
 CPC ..... G06F 1/163; G06F 3/016; G08B 21/24  
 See application file for complete search history.

(56) **References Cited**

U.S. PATENT DOCUMENTS

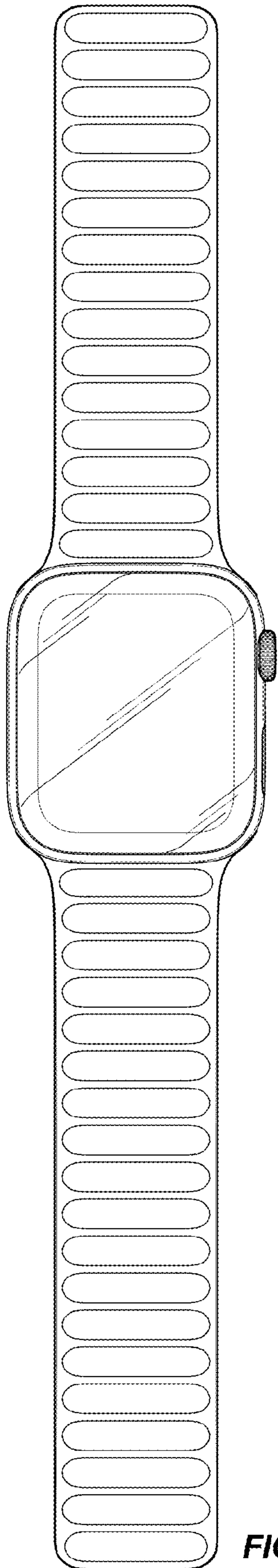
D731,346 S *	6/2015	Akana	.....	D11/3
D737,156 S	8/2015	Akana et al.		
D737,158 S *	8/2015	Akana	.....	D10/70
D745,421 S *	12/2015	Akana	.....	D10/70
D746,707 S *	1/2016	Akana	.....	D10/70
D746,718 S *	1/2016	Akana	.....	D11/3
D749,450 S *	2/2016	Akana	.....	D11/86
D756,823 S *	5/2016	Akana	.....	D10/70
D757,594 S *	5/2016	Akana	.....	D11/5
D757,722 S *	5/2016	Akana	.....	D10/70
D760,107 S *	6/2016	Akana	.....	D11/5
D761,793 S *	7/2016	Akana	.....	D10/70
D766,752 S *	9/2016	Akana	.....	D10/70
D777,163 S *	1/2017	Akana	.....	D14/344
D779,992 S *	2/2017	Akana	.....	D11/3
D781,853 S *	3/2017	Akana	.....	D14/344
D784,326 S *	4/2017	Akana	.....	D14/344
D784,327 S *	4/2017	Akana	.....	D10/70

D785,469 S *	5/2017	Grcic	.....	D10/38
D812,052 S *	3/2018	Akana	.....	D14/344
D834,446 S *	11/2018	Akana	.....	D11/94
D837,082 S	1/2019	Akana et al.		
D847,012 S *	4/2019	Akana	.....	D11/3
D849,595 S *	5/2019	Akana	.....	D11/94
D853,881 S *	7/2019	Akana	.....	D11/3
D865,536 S *	11/2019	Akana	.....	D14/344
D867,179 S *	11/2019	Akana	.....	D10/70
D870,588 S *	12/2019	Akana	.....	D11/3
D880,338 S *	4/2020	Akana	.....	D11/3
D882,563 S	4/2020	Akana et al.		
D883,977 S *	5/2020	Akana	.....	D14/344
D922,894 S *	6/2021	Akana	.....	D11/5
D932,332 S *	10/2021	Akana	.....	D11/3
D947,184 S *	3/2022	Akana	.....	D14/344
D948,358 S *	4/2022	Akana	.....	D10/70

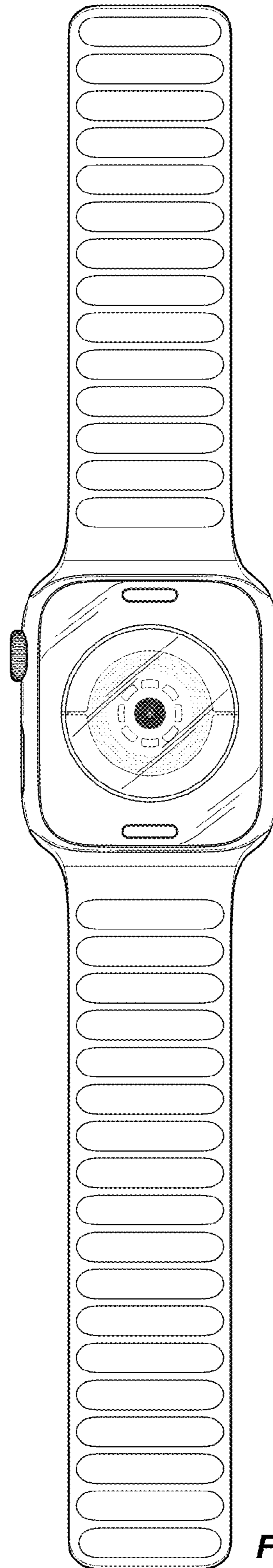
OTHER PUBLICATIONS

Japanese Patent Office Document No. HJ29037540, "42 mm,"  
 Apple.com, available at least as early as Jul. 19, 2021.  
 Japanese Patent Office Document No. HJ31040531, "Apple Watch  
 Series 5," Apple.com, available at least as early as Jul. 19, 2021.

\* cited by examiner



**FIG. 1**



**FIG. 2**

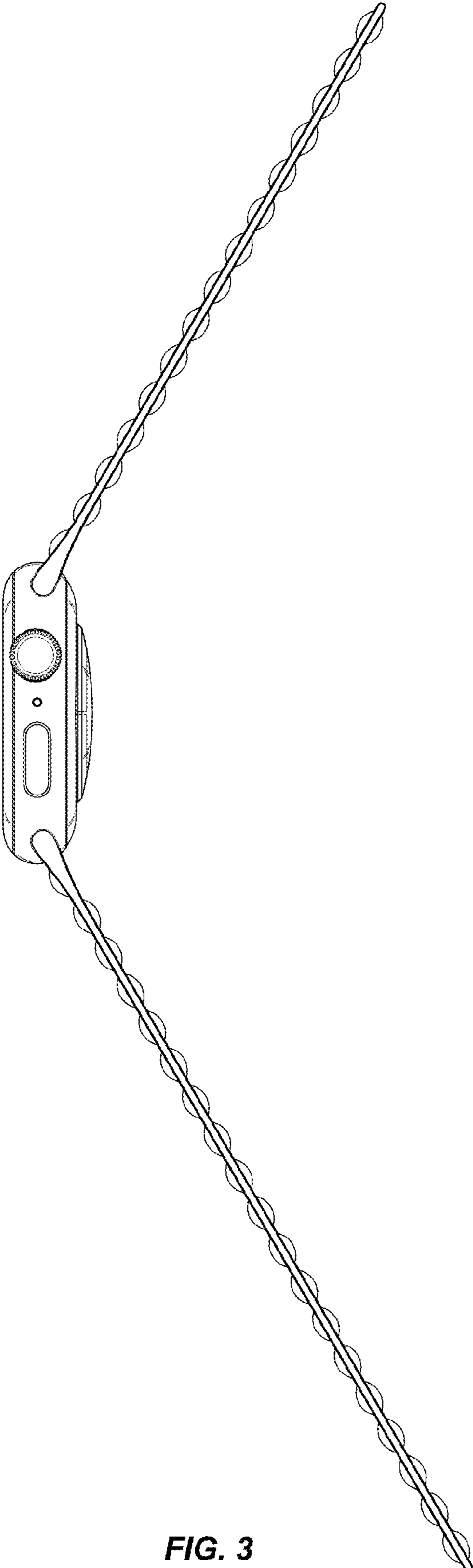
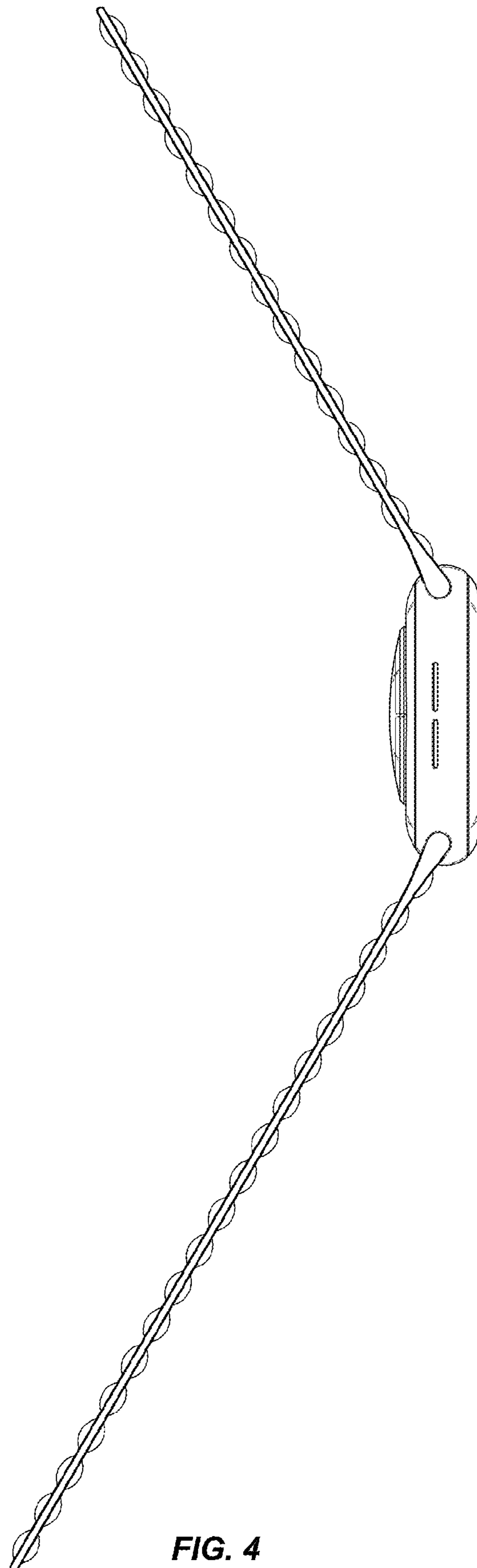
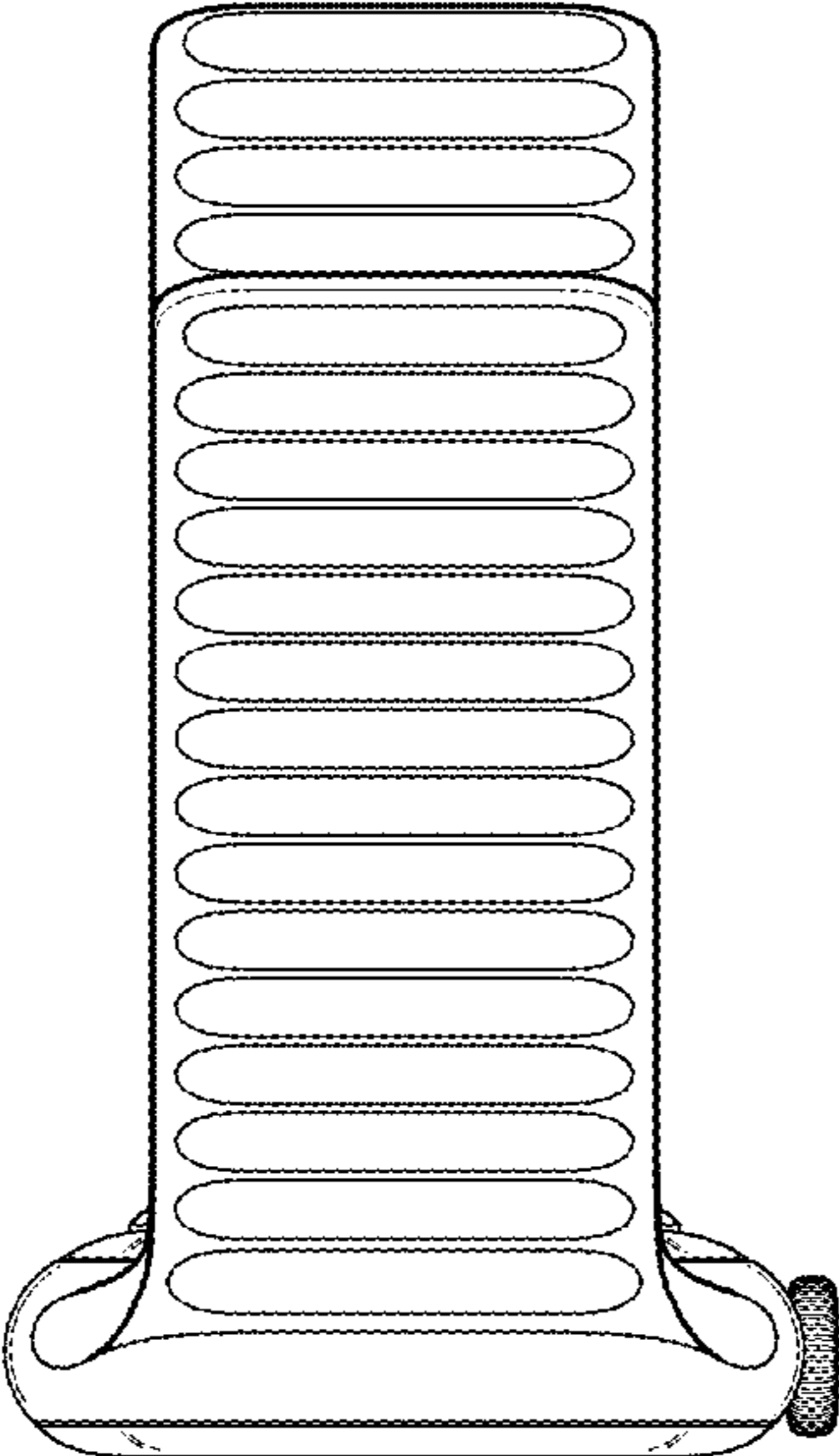


FIG. 3

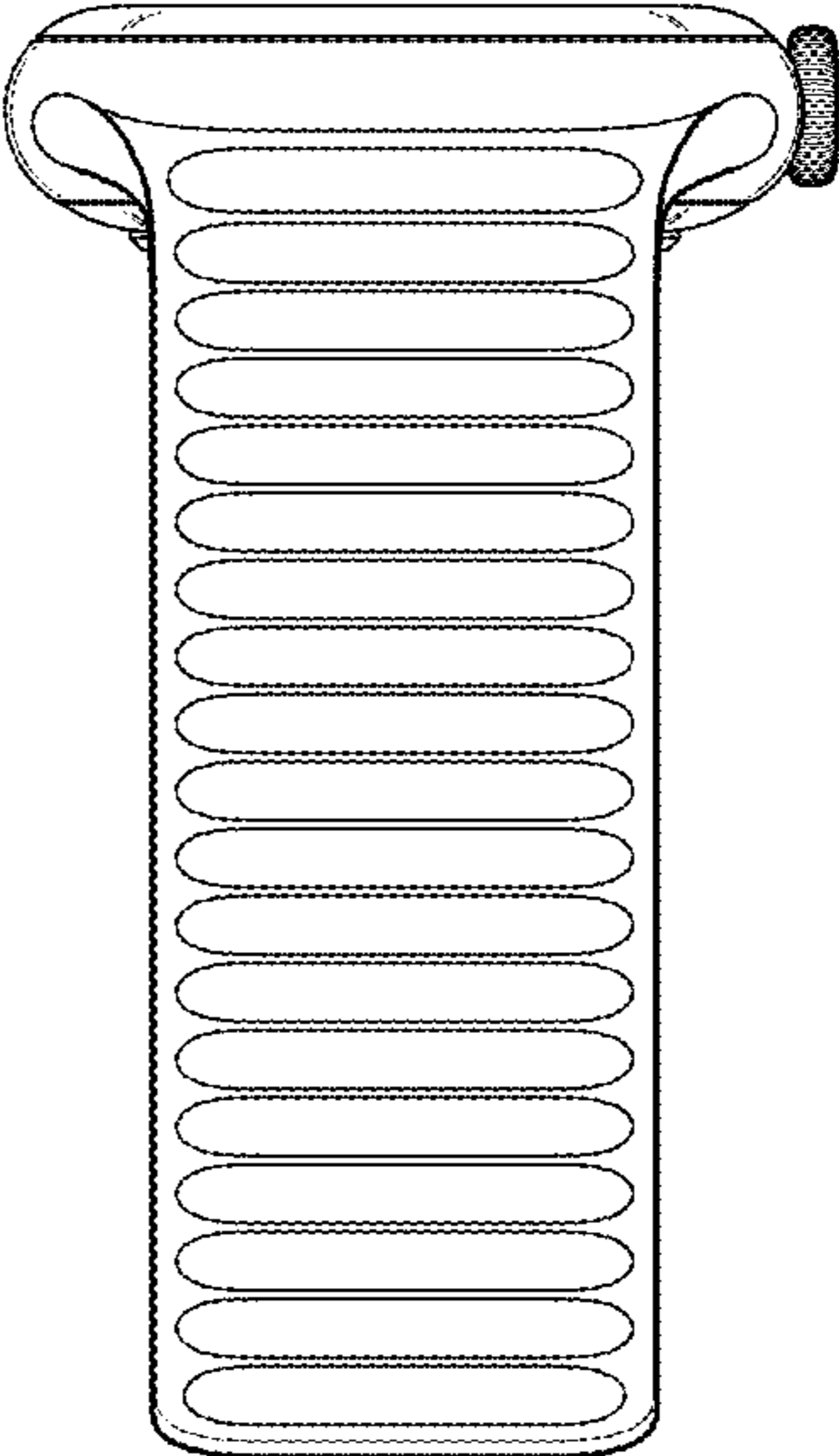




**FIG. 4**



**FIG. 5**



**FIG. 6**

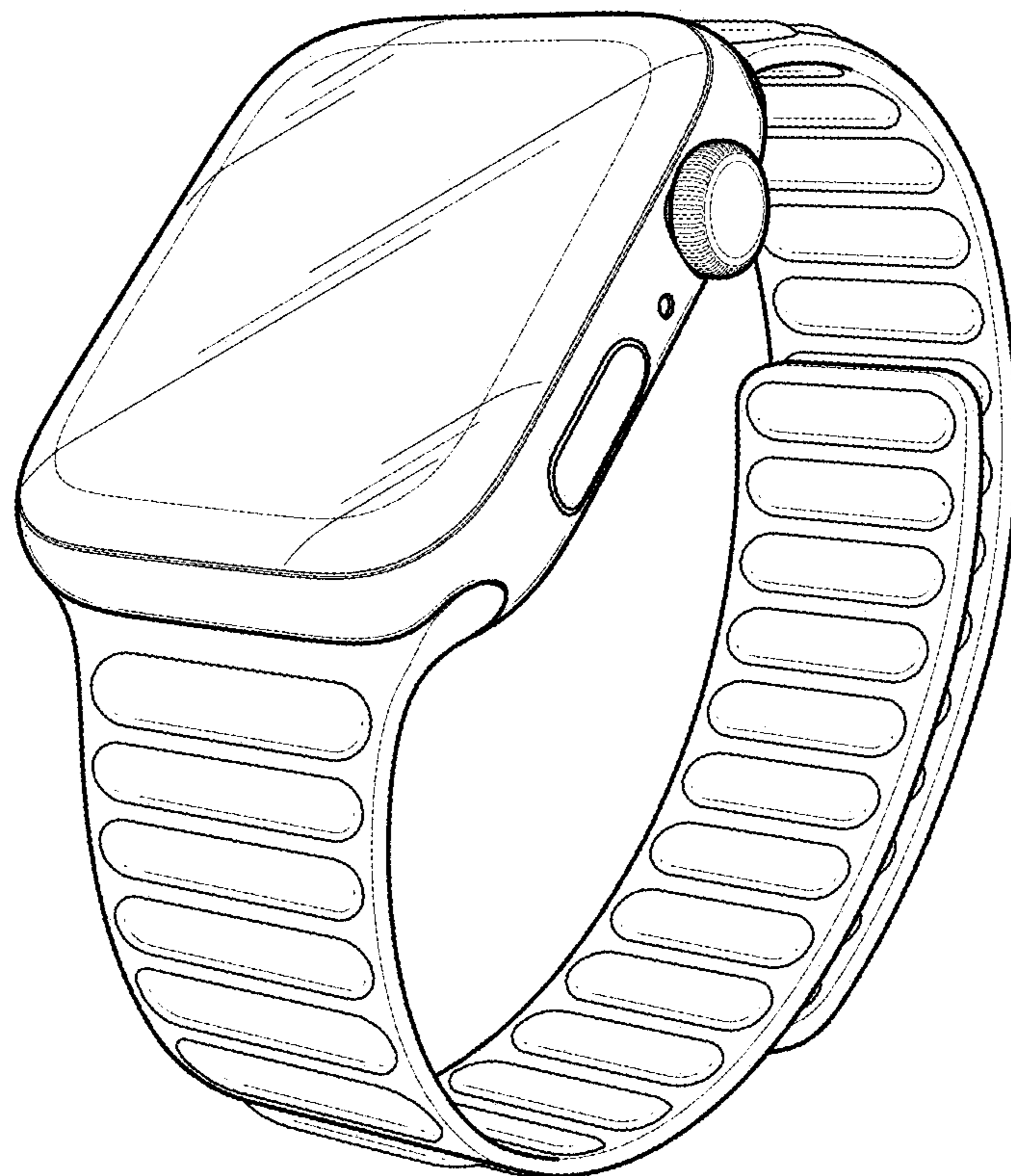


FIG. 7