



US00D969803S

(12) **United States Design Patent** (10) **Patent No.:** **US D969,803 S**
Zhu (45) **Date of Patent:** **** *Nov. 15, 2022**

(54) **DISPLAY DEVICE**

FOREIGN PATENT DOCUMENTS

(71) Applicant: **HUAWEI TECHNOLOGIES CO., LTD.**, Guangdong (CN)

EM 008617815-0001 * 11/2021
EM 008617815-0002 * 11/2021

(Continued)

(72) Inventor: **Lingxiang Zhu**, Shenzhen (CN)

OTHER PUBLICATIONS

(73) Assignee: **HUAWEI TECHNOLOGIES CO., LTD.**, Shenzhen (CN)

Bestbuy. Link: [https://www.hp.com/us-en/shop/pdp/hp-proone-600-g6-22-all-in-one-pc-\(9fr56av\)](https://www.hp.com/us-en/shop/pdp/hp-proone-600-g6-22-all-in-one-pc-(9fr56av)) Visited May 6, 2022. HP ProOne 600 G6 22 All-in-One PC (9FR56AV). (Year: 2022).*

(*) Notice: This patent is subject to a terminal disclaimer.

(Continued)

(**) Term: **15 Years**

Primary Examiner — Lauren D McVey

(21) Appl. No.: **29/799,356**

(57) **CLAIM**

The ornamental design for a display device, as shown and described.

(22) Filed: **Jul. 14, 2021**

DESCRIPTION

(30) **Foreign Application Priority Data**

Jan. 15, 2021 (CN) 202130030851.1

(51) **LOC (13) Cl.** **14-02**

(52) **U.S. Cl.**
USPC **D14/336**

(58) **Field of Classification Search**
USPC D14/125, 126, 127, 128, 129, 341, 336,
D14/337, 371, 372, 373, 374, 375, 376,
D14/377

CPC G06F 1/1601; G06F 1/1605; G06F 1/162
See application file for complete search history.

FIG. 1 is a front perspective view of a first embodiment of a display device showing our new design;
FIG. 2 is a front view thereof;
FIG. 3 is a back view thereof;
FIG. 4 is a top view thereof;
FIG. 5 is a bottom view thereof;
FIG. 6 is a right view thereof;
FIG. 7 is a left view thereof;
FIG. 8 is a front perspective view of a second embodiment of a display device showing our new design;
FIG. 9 is a front view thereof;
FIG. 10 is a back view thereof;
FIG. 11 is a top view thereof;
FIG. 12 is a bottom view thereof;
FIG. 13 is a right view thereof; and,
FIG. 14 is a left view thereof.

The oblique line shading in the figures depicts a highly polished or reflective surface.
The broken lines in figures show portions of the display device that form no part of the claimed design.

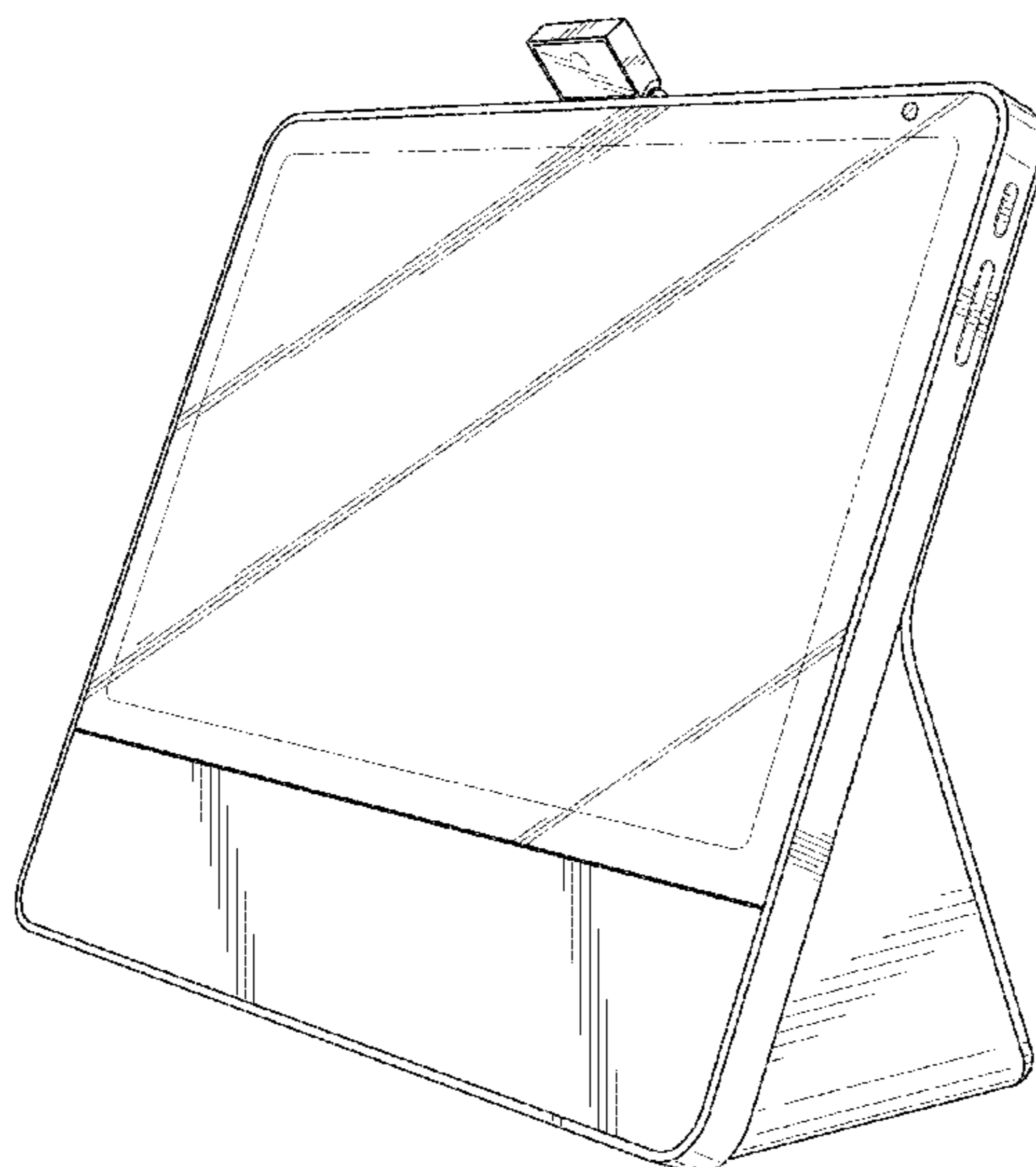
(56) **References Cited**

U.S. PATENT DOCUMENTS

D618,192 S * 6/2010 Huang D14/130
D661,266 S * 6/2012 Laube D14/126
D755,783 S * 5/2016 Shi D14/336
D784,270 S * 4/2017 Bhattacharya D13/163
D871,395 S * 12/2019 Yang D14/336
D882,567 S * 4/2020 Parfitt D14/371

(Continued)

1 Claim, 14 Drawing Sheets



(56)

References Cited

U.S. PATENT DOCUMENTS

D891,428 S * 7/2020 Taylor D14/371
D912,639 S * 3/2021 Chang D24/185
D927,439 S * 8/2021 McConnell D14/126
D933,067 S * 10/2021 Parfitt D14/371
D934,192 S * 10/2021 Huang D14/214
D938,950 S * 12/2021 Yoon D14/336
D941,796 S * 1/2022 Zheng D10/15

FOREIGN PATENT DOCUMENTS

EM 008617815-0003 * 11/2021
EM 008617815-0004 * 11/2021

OTHER PUBLICATIONS

Meta. Link <https://store.facebook.com/portal/products/portal>. Visited May 6, 2022. Meta Portal 10". (Year: 2022).*

Amazon. Link: https://www.amazon.com/Facebook-Portal-Calling-Screen-Speakers/dp/B09FYJFP5Y/ref=sr_1_1?crid=3VVERD88I68DA&keywords=B09FYJFP5Y&qid=1651844708&s=electronics&sprefix=b09fyjfp5y%2Celectronics%2C60&sr=1-1. Oct. 19, 2021. Facebook Portal+—Smart Video Calling 14" Touch Screen with Stereo (Year: 2021).*

Zhu, U.S. Appl. No. 29/799,355, filed Jul. 14, 2021, entitled "Display Device", total 37 pages.

Restriction Requirement dated May 10, 2022, issued in U.S. Appl. No. 29/799,355, 5 pages.

* cited by examiner

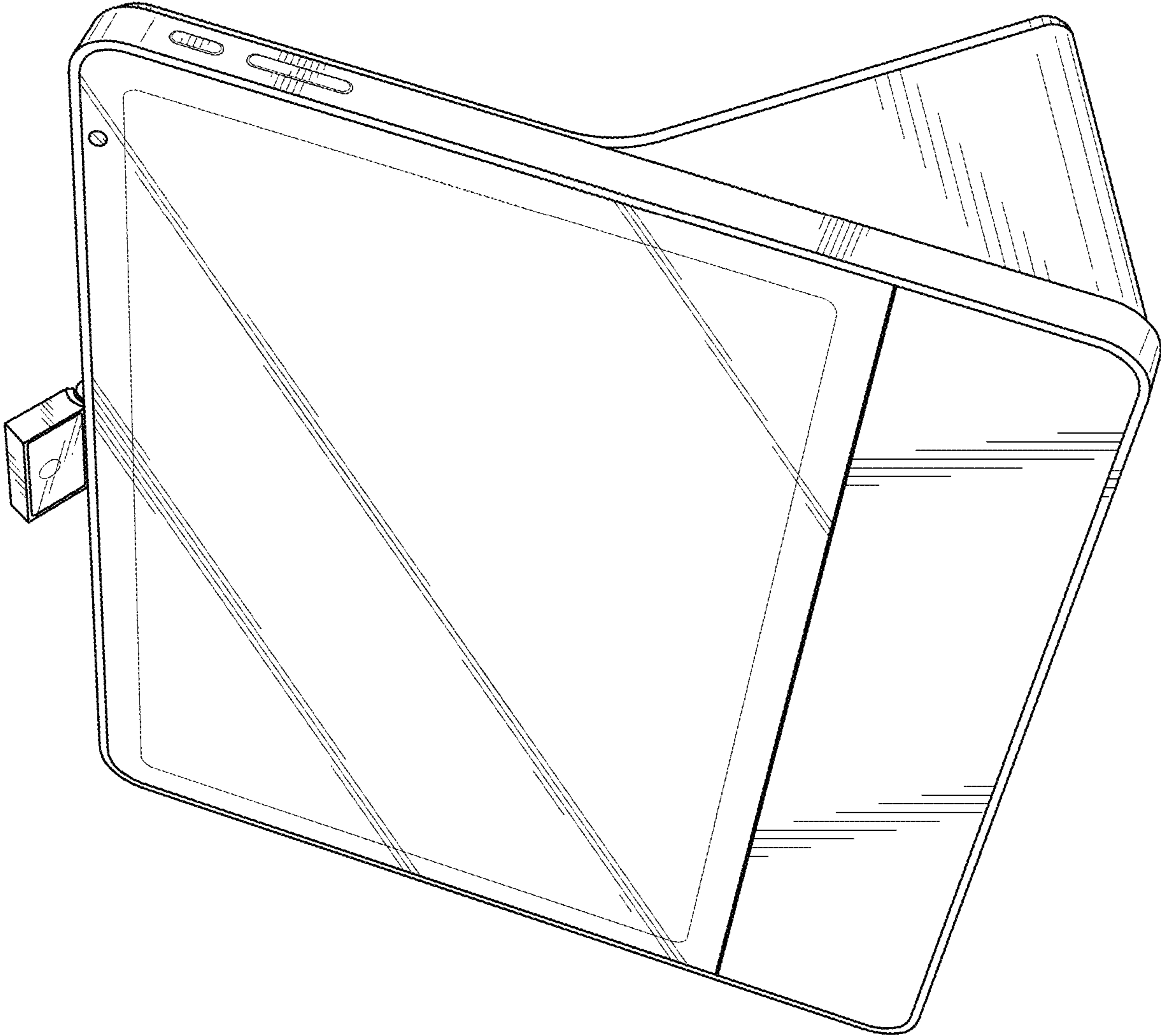


FIG. 1

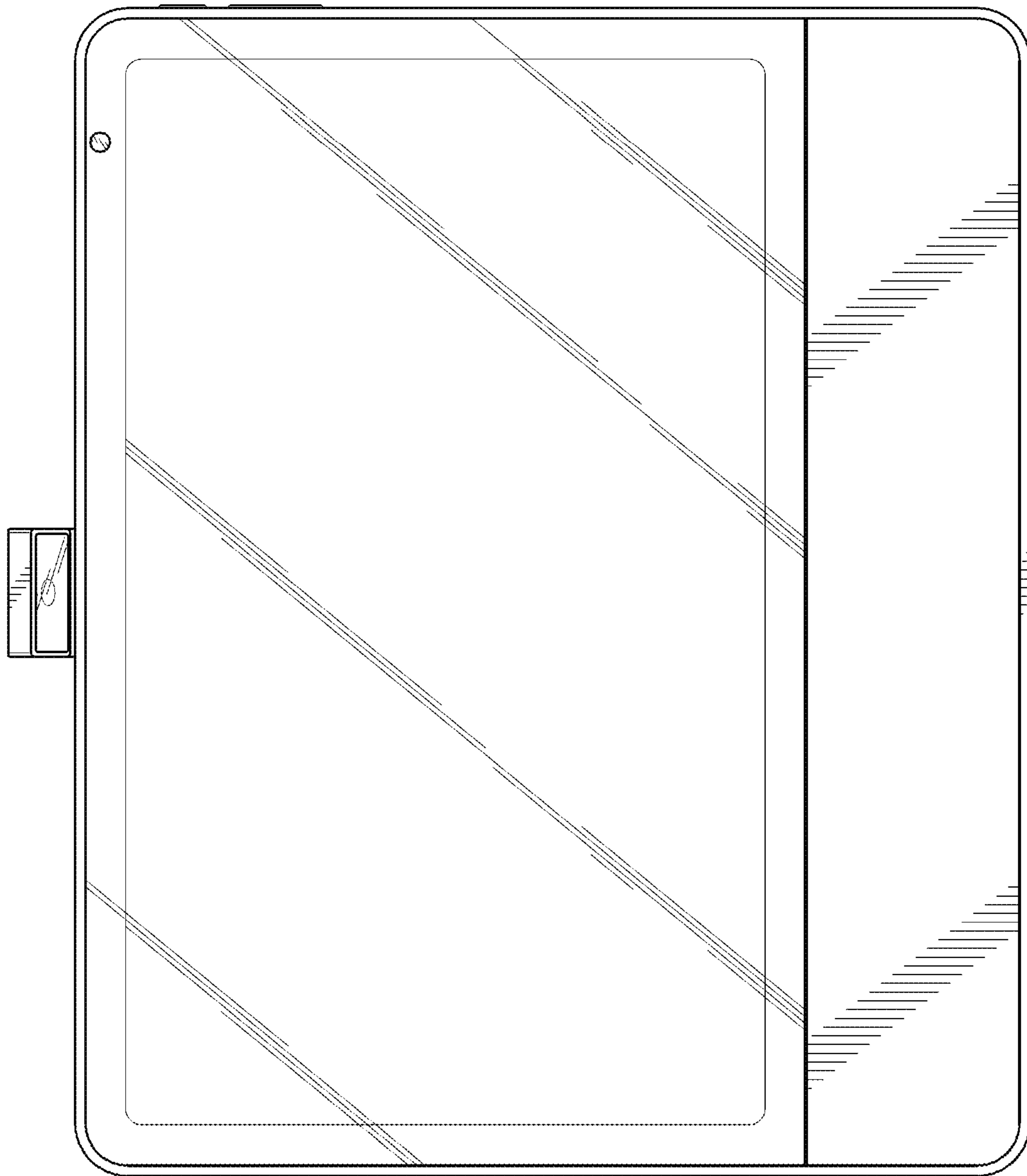


FIG. 2



FIG. 3

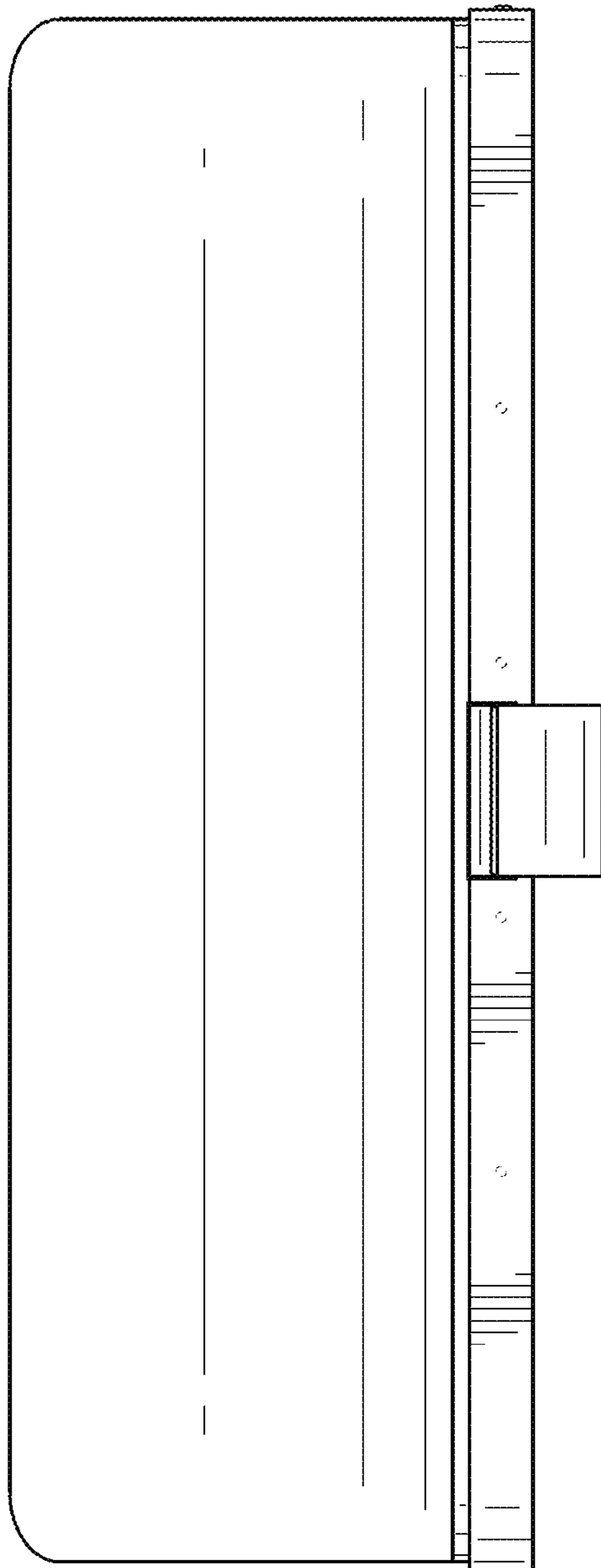


FIG. 4

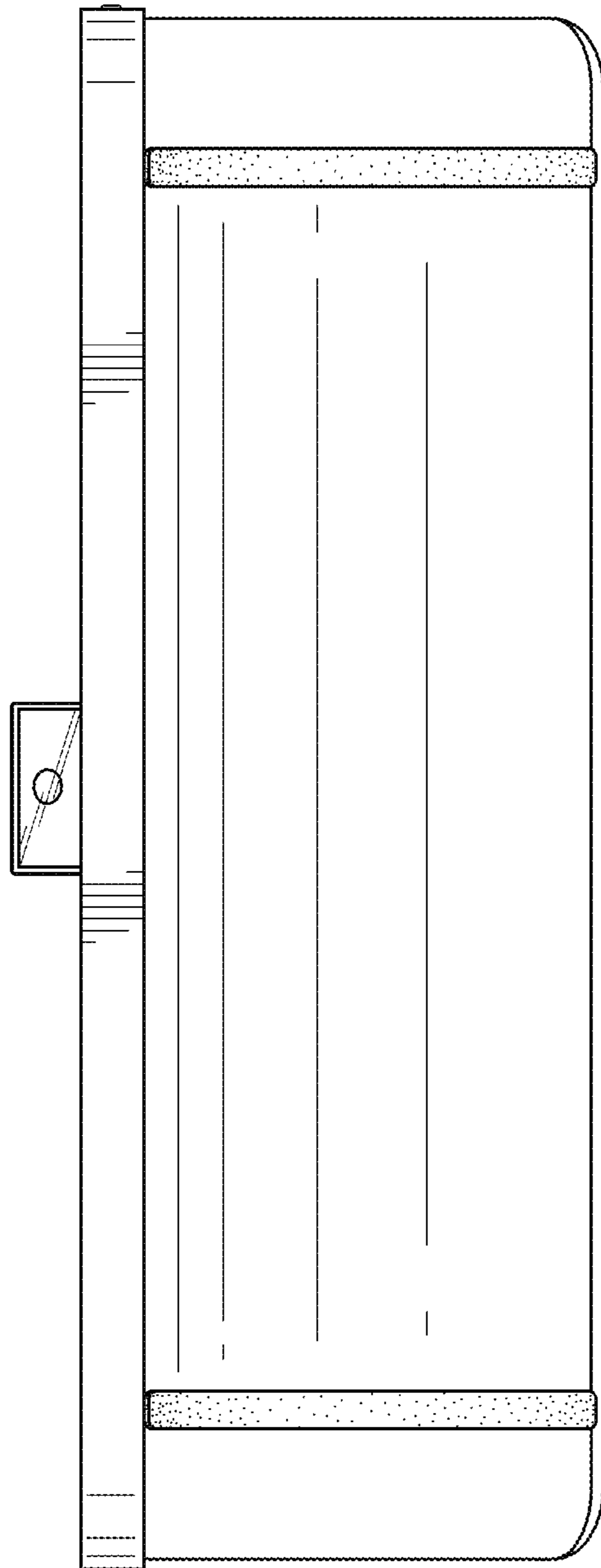


FIG. 5

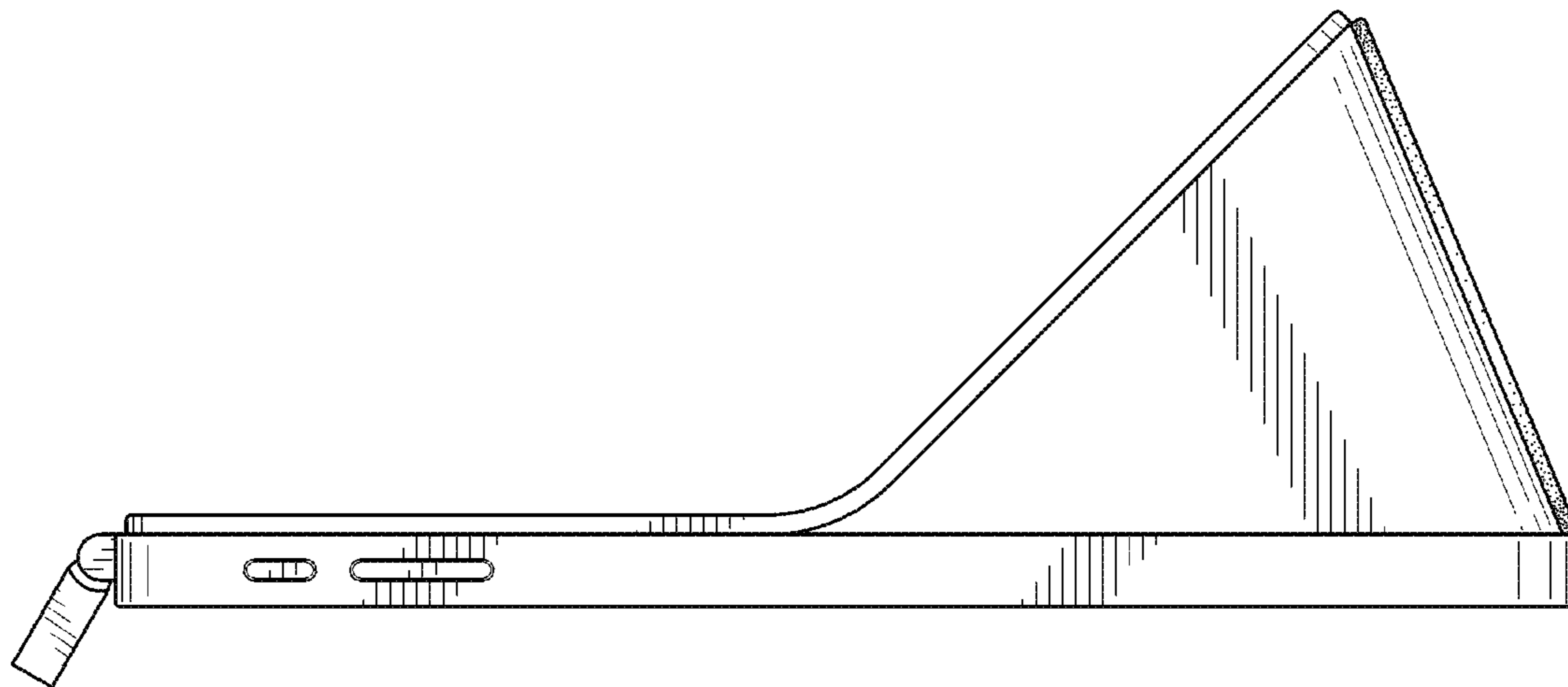


FIG. 6

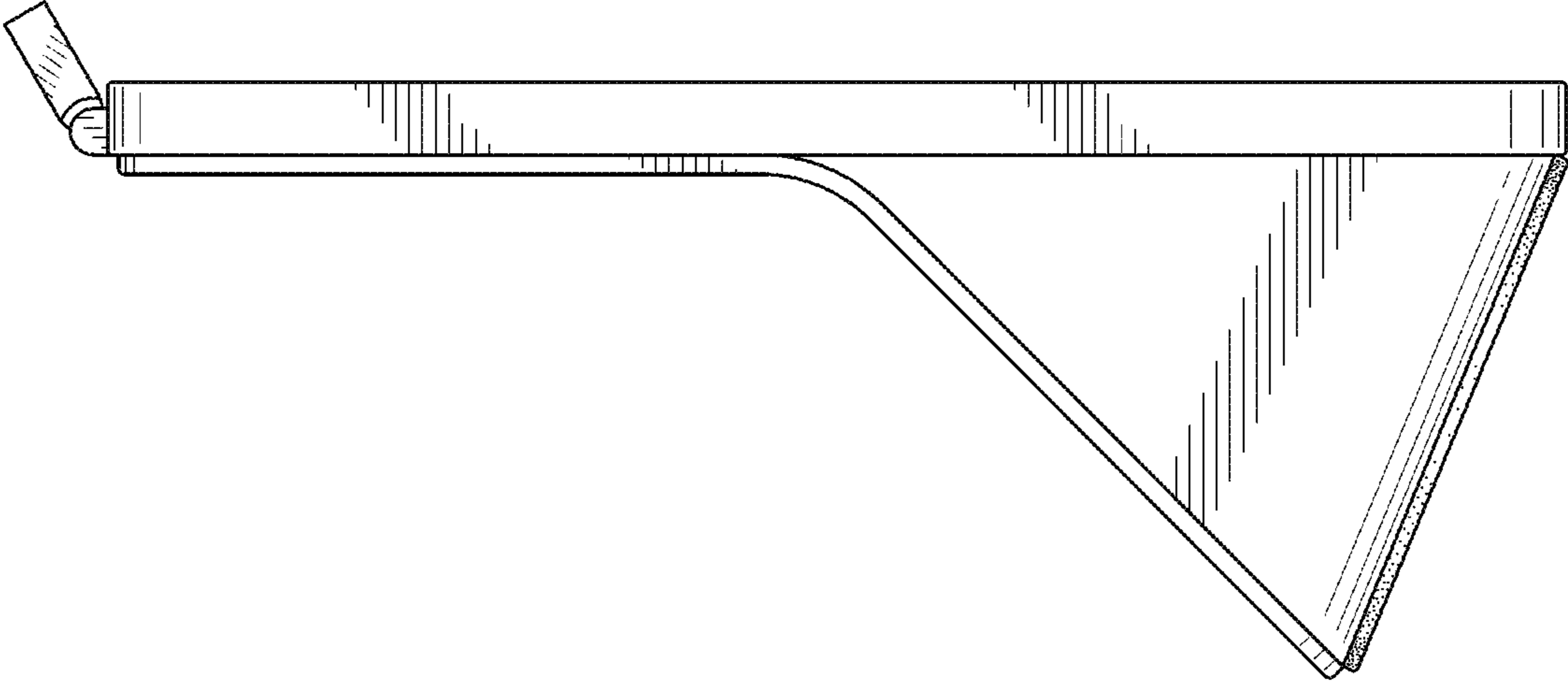


FIG. 7

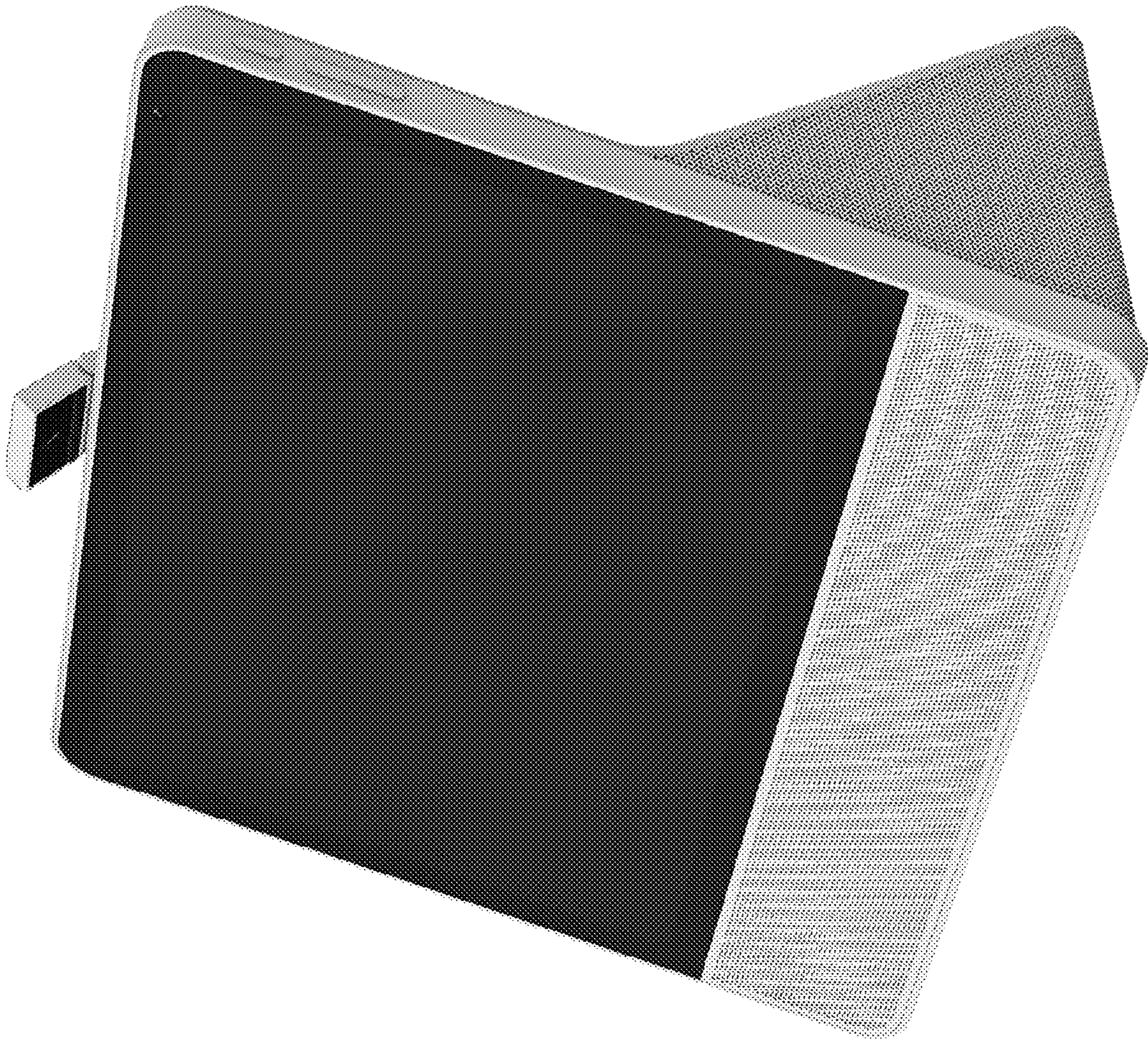


FIG. 8

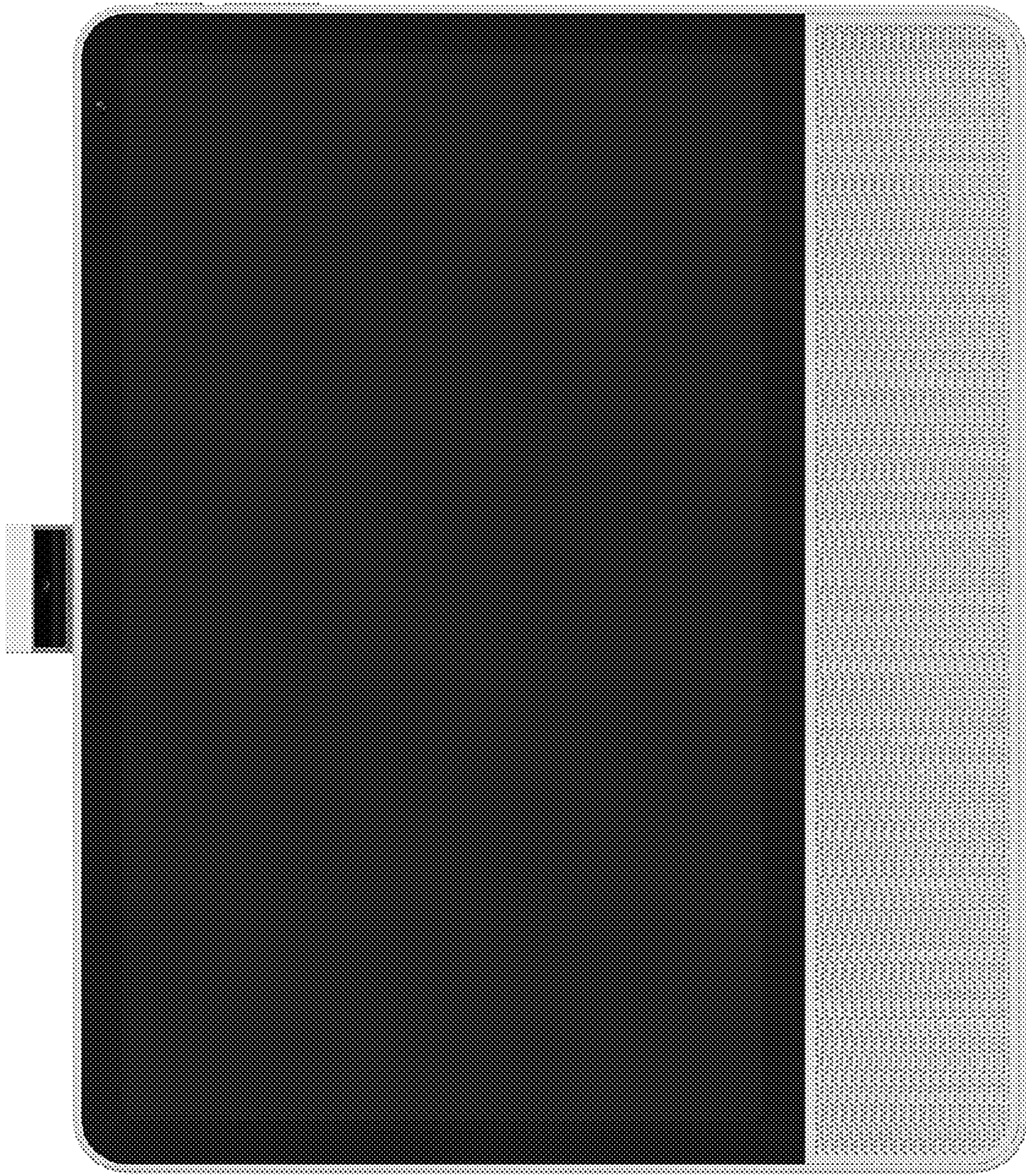


FIG. 9



FIG. 10

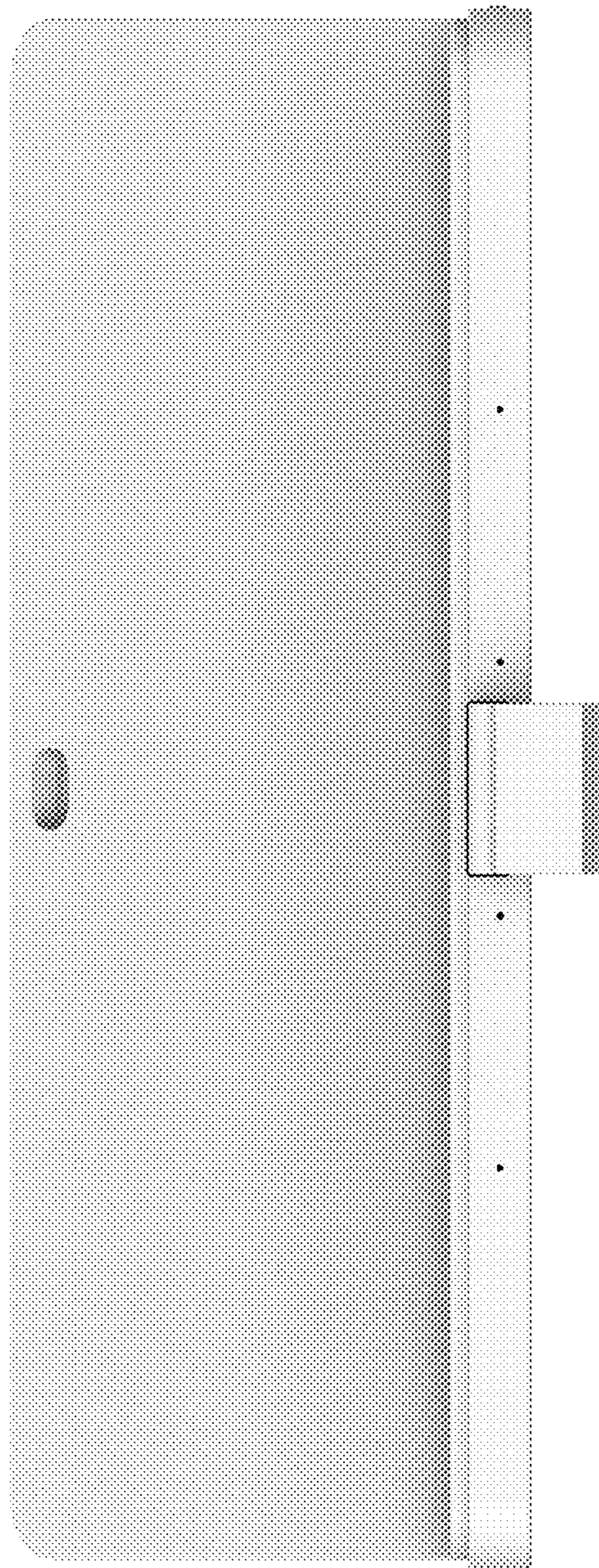


FIG. 11

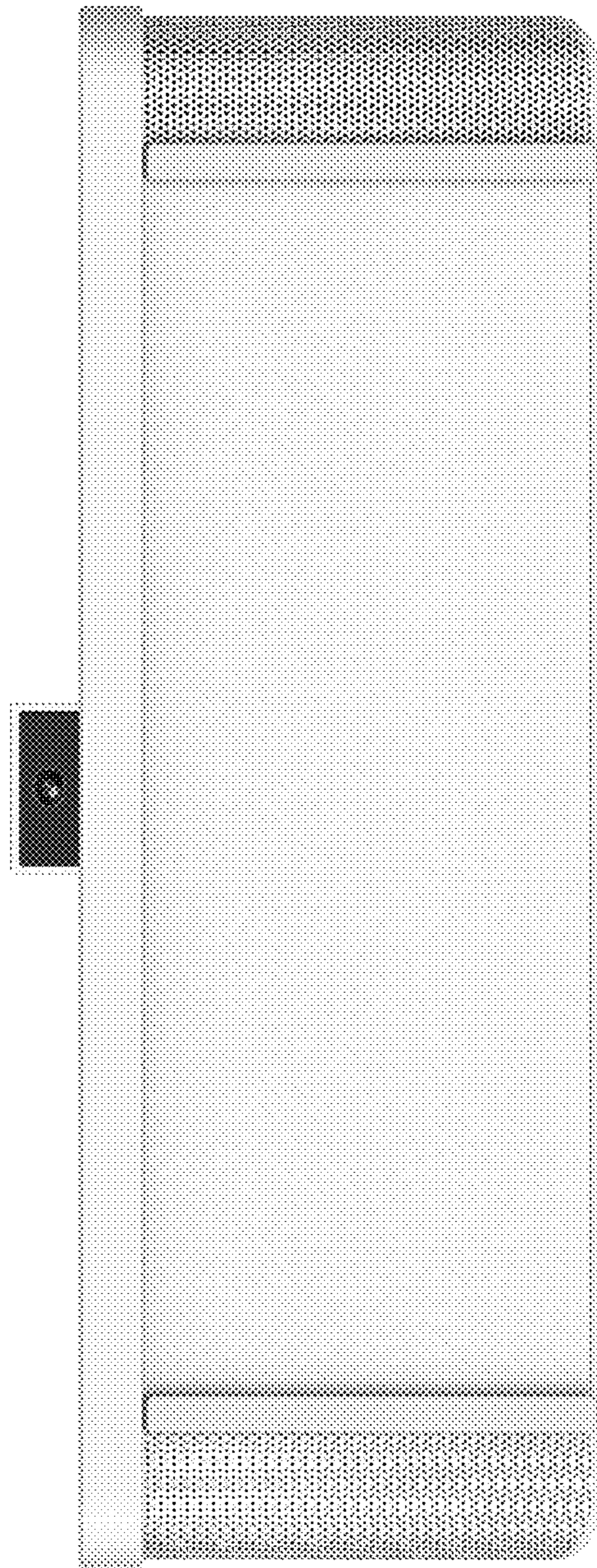


FIG. 12

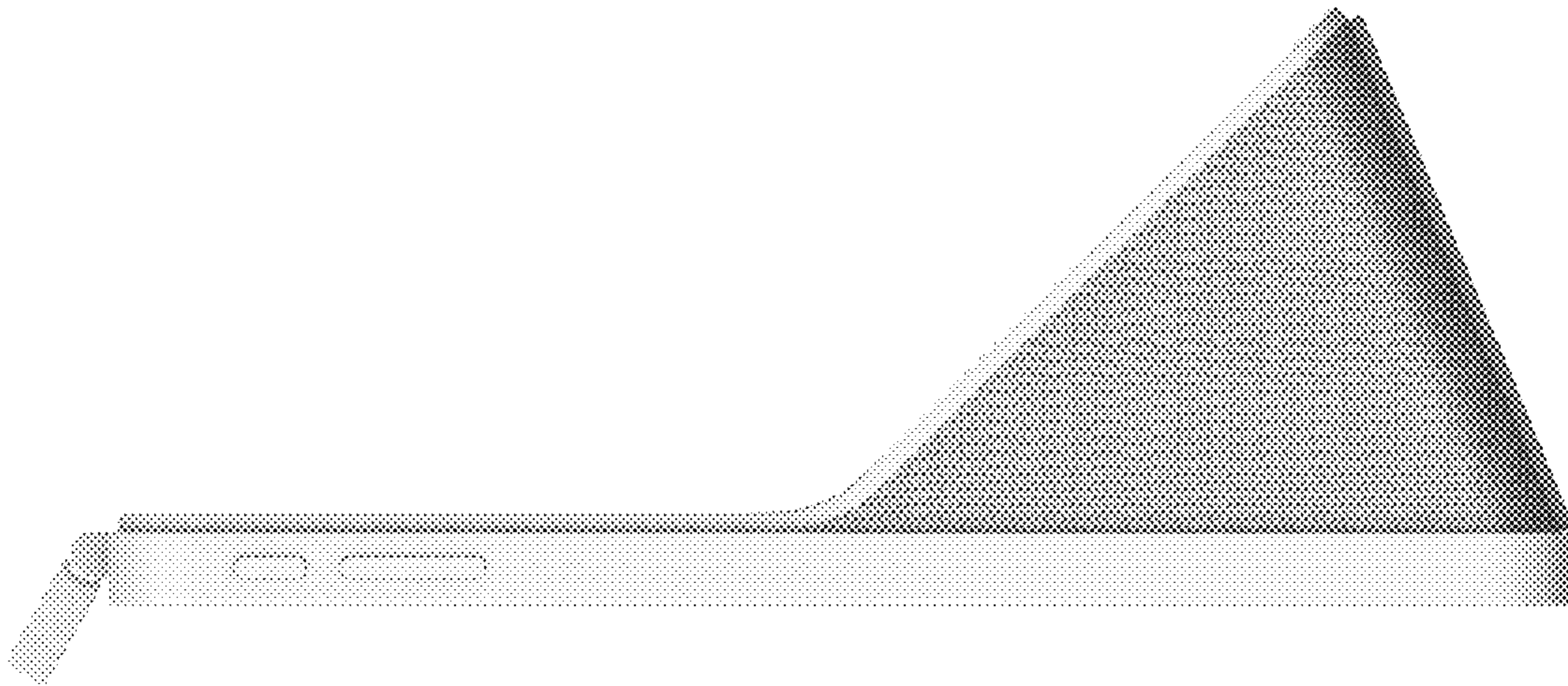


FIG. 13

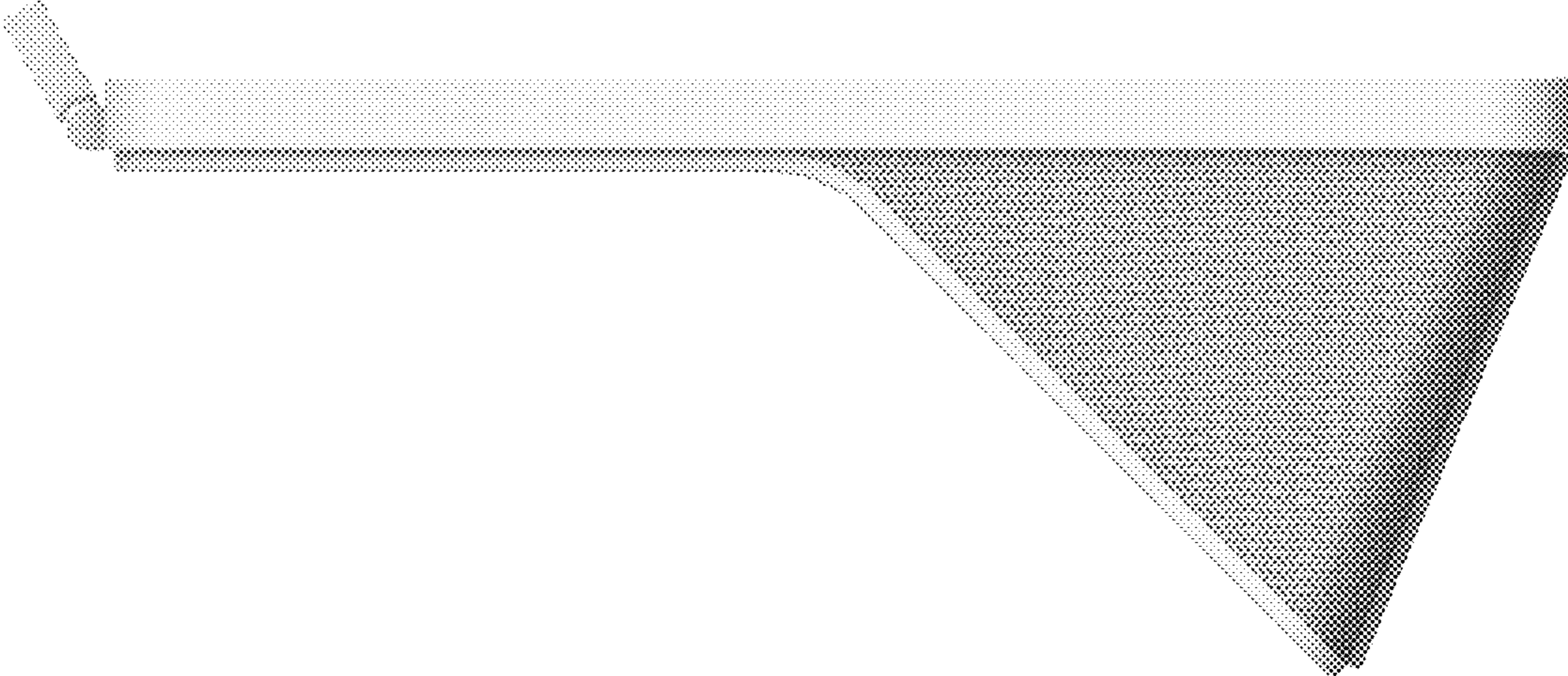


FIG. 14